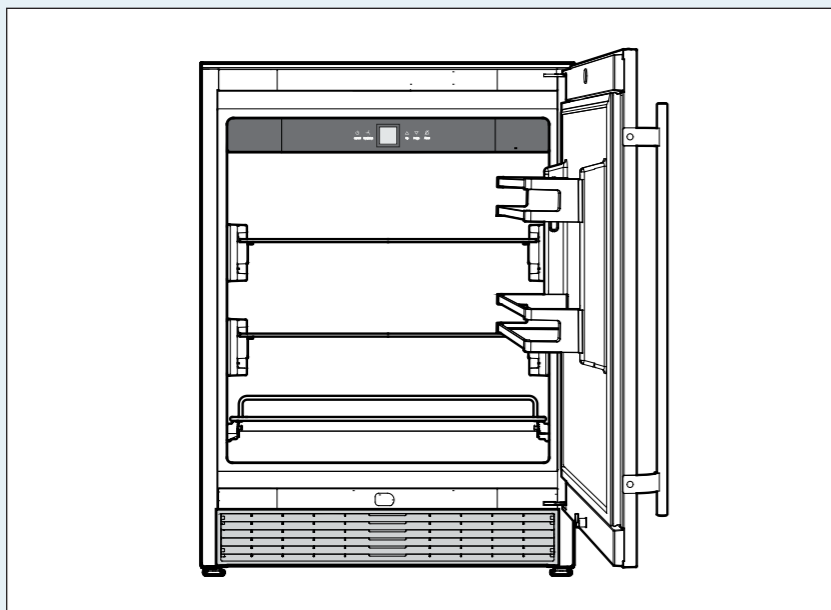


## Diagrams

◀24"▶

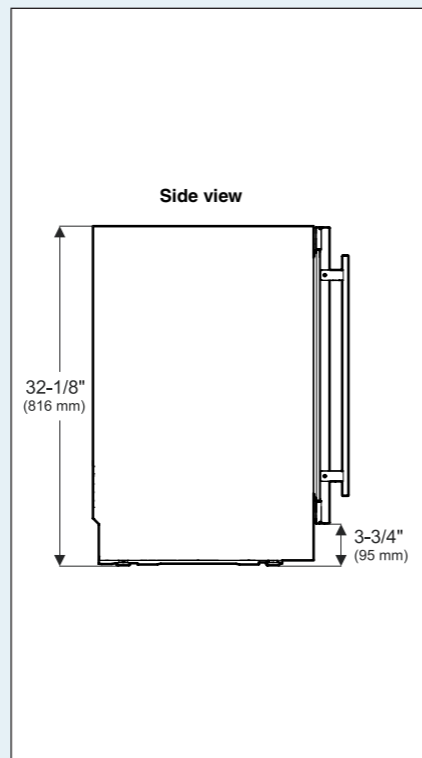
### Outdoor Refrigerator



To prevent possible ignition, designed ventilation is required.

It is recommended to install the appliance in a sheltered area, avoiding direct contact with extreme weather. Avoid placing the appliance in direct sunlight or near the stove, range top, radiators and similar heat sources. The appliance is designed for a freestanding setting up.

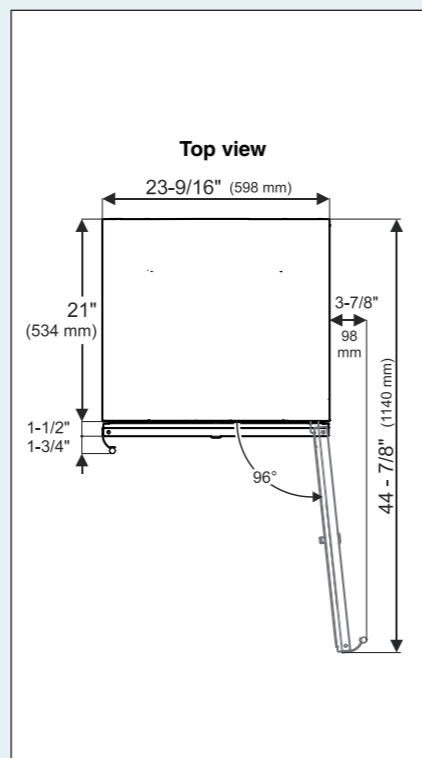
### Appliance Dimensions



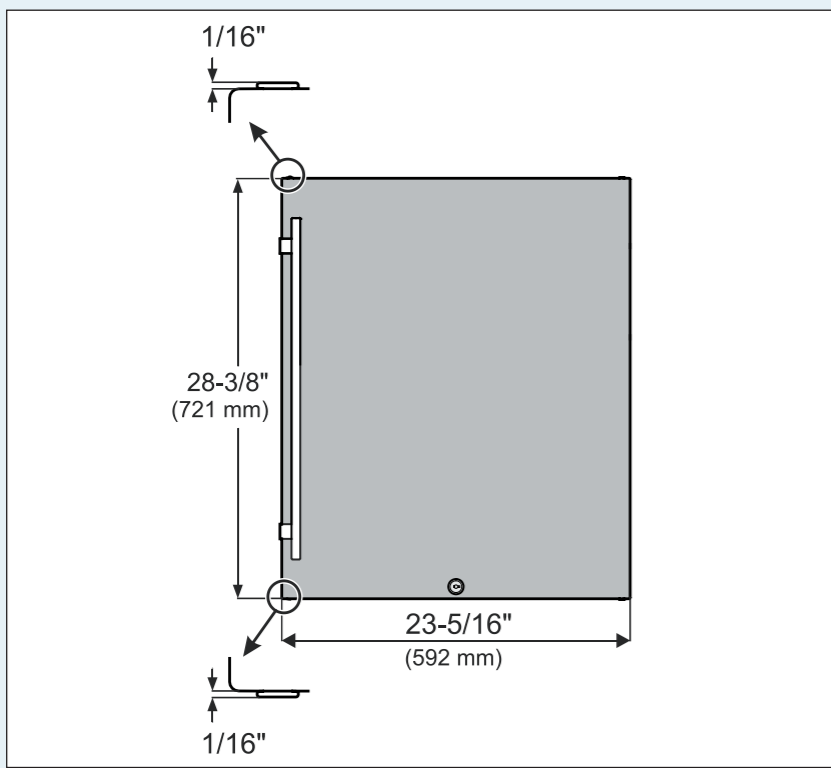
Height when adjustable feet have been screwed in as far as they will go.

Delivery status = feet approx. 1/8" unscrewed.

Maximum height adjustment = 2" (51 mm)



### Dimensions Of Appliance Door



## Liebherr RO 510

Outdoor Beverage/Wine Cooler



# LIEBHERR

Quality, Design and Innovation

## Outdoor Beverage/Wine Cooler

◀24"▶

If you are looking to turn your outdoor kitchen on the deck or patio into the ultimate place for entertaining, Liebherr's compact 24" outdoor undercounter beverage/wine cooler **RO 510** is the ultimate barbecue and entertainment accessory, offering the best place for beverages such as wine, beer and soft drinks as well as barbecue supplies and condiments located accessibly, allowing you to have all your ingredients close at hand without compromising on elegance and design – perfect for keeping meats and vegetables conveniently near the grill or chilling your drinks while you enjoy the outdoors and entertaining. The appliance temperature can be set from +36°F (+2°C) to +68°F (+20°C) and has three glass storage shelves with stainless steel trim for plenty of plate and container storage including a versatile split shelf for ease in storing taller items along with two door racks (one adjustable) with elegant retainers. It operates perfectly within ambient temperatures from +50°F (+10°C) to +109°F (+43°C).



### Outdoor Beverage/Wine Cooler

#### Capacity

Total capacity cu.ft. (l)

Shipping weight lbs. (kg)

Climate rating

Sound rating dB(A)

Door hinges

Cut out dimensions

in inches (cm) H /W/D

Outside dimensions

in inches (cm) H/W/D

Energy supply

Voltage V/Hz

ADA compliant

### RO 510

LED

Telescopic Racks

3.7 (104)

130.1 (59)

SN-T

39\*\*

right, reversible

32 5/16" - 34 5/16" / 23 5/8" / 22 3/4" (82 - 87 / 60 / 57.8)

32 1/8" / 23 9/16" / 22 3/4" (81.6 / 59.8 / 57.8)

115/60

Yes

## Features

◀24"▶



**German Engineering:** Our superior products offer premium quality, cutting edge design and innovative features that fit your busy lifestyle. Exclusive components and materials, along with the latest production processes, ensure energy efficiency and performance for years to come.



Electronic Control

**Precision Electronics:** The electronic control system is situated at the top of the interior. The temperature can be set from 37°F to 68°F. The cabinet includes a lock for added protection of items stored.



LED

**LED Lighting:** The energy efficient LED ceiling light not only emits virtually no heat to cast a cool glow to give a pleasing ambient light inside the appliance as well as the room.



**Storage shelves:** This unit offers flexible storage options thanks to two glass shelves, a convenient split shelf for storing taller items, and a pull-out metal rack.

\* Energy Cost will depend on utility rates and use. Estimated energy cost based on a national average electricity cost of 12 cents per kWh.

\*\* Noise output – according to EN 60704-3