

HYDRA KOOOL



**PULL OUT
CONDENSING UNIT
ON SELF CONTAINED**



**PULL OUT EVAP PAN
FOR EASY CLEANING
ON SELF CONTAINED**



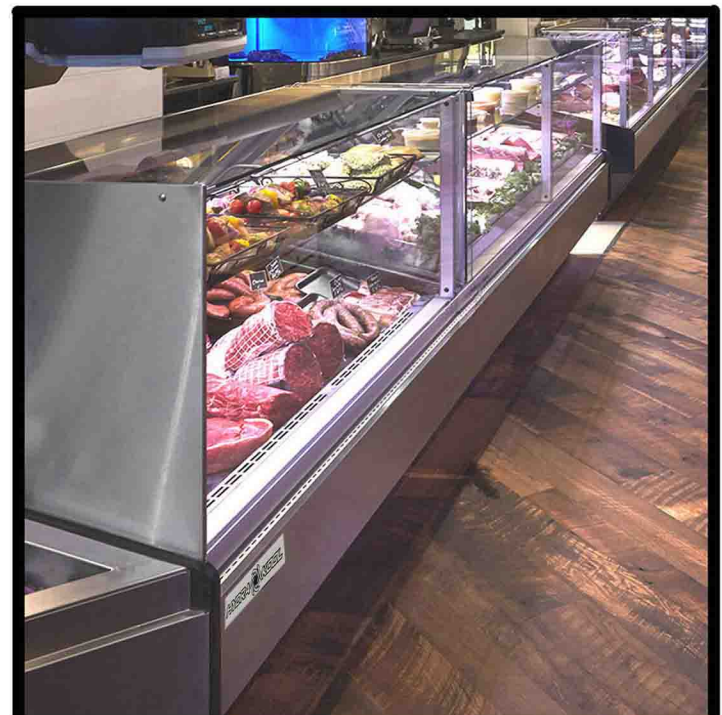
REAR STORAGE

FLAT GLASS DELI CASE

**MEDIUM TEMPERATURE
TILT OUT FLAT
TEMPERED FRONT GLASS
REAR TEMPERED
SLIDING DOORS
DESIGNED FOR DELI PRODUCTS
AND PACKAGED MEAT**

MODELS

**KPM - FG - (60,80,100) - S
KPM - FG - (60,80,100) - R**



**REMOTE AND SELF CONTAINED
404A REF - FORCED AIR REFRIGERATION
ALTERNATE REFRIGERANTS AVAILABLE BY SPECIAL ORDER**


**IN COMPLIANCE
WITH
NATIONAL
ENERGY
STANDARDS**



5659 Royalmount Ave.
Montreal, QC, Canada H4P 2P9
Telephone: 514.737.9701 / Toll Free: 888.275.4538
Fax: 514.342.3854 / Toll Free: 877.453.8832

12000 Biscayne Blvd., Suite #108
Miami, FL, United States 33181
Telephone: 786.600.4687 / Toll Free 844.218.8477
Fax: 786.661.4100

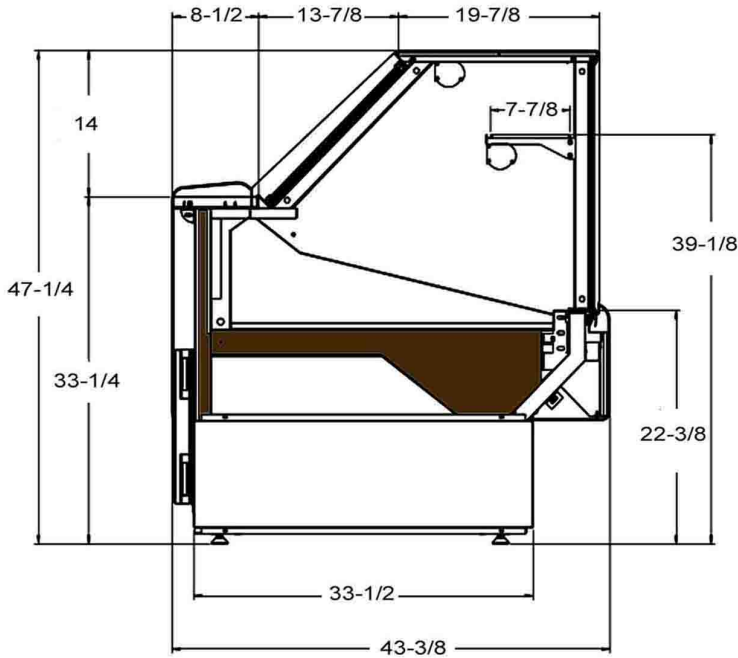
Email: sales@mvpgroupcorp.com

SELF CONTAINED	MODEL	O.A LENGTH INCHES	VOLUME FT ³		CASE TEMP	ELECTRICAL - 115 VOLTS						WEIGHT LBS.		CRATE SIZE			
						COMPRESSOR			LIGHTS FANS HTRS	EVAP PAN	TOTAL AMPS	NEMA 115V PLUG	NO CRATE	WITH CRATE			
			H.P.	F.L.A.		L.R.A.	"L"	"W"							"H"		
			FRONT	REAR													
	KPM-FG-60-S	60	23.47	5.33	32/40F	1/2	9.6	49	1.42	3.3	14.35	5-20P	494	716	67	44	42
	KPM-FG-80-S	77-1/2	30.70	8.76	32/40F	1/2	9.6	49	1.59	3.3	14.35	5-20P	606	868	85	44	42
	KPM-FG-100-S	101-1/8	40.45	13.41	32/40F	5/8	9.6	47	1.80	3.3	14.23	5-20P	752	1069	108	44	42

REMOTE	MODEL	O.A. LENGTH INCHES	NO. OF REAR DOORS	CASE TEMP	115 VOLTS TOTAL AMPS	B.T.U.	WEIGHT LBS.	
							NO CRATE	WITH CRATE
							KPM-FG-60-R	60
KPM-FG-80-R	77-1/2	30.70	32/40F	1.14	3253	551	813	
KPM-FG-100-R	101-1/8	40.45	32/40F	1.55	4372	697	1014	

NOTE

- THESE CASES ARE DESIGNED TO OPERATE USING R404A REFRIGERANT
- LENGTH INCLUDES (2) ENDS AT 1-1/2" EACH
- B.T.U.'S CALCULATED AT +14°F AND 90°F AMBIENT CASES ENGINEERED TO OPERATE AT 75°F AND 55% RH
- ON REMOTE CASES - IF NO FLOOR DRAIN IS PROVIDED- AN EVAPORATIVE PAN MUST BE ORDERED AND 3.3 AMPS ADDED TO THE AMP LOAD
- REMOTE CASES PROVIDED WITH EXPANSION VALVE AND LIQUID SOLENOID FOR PUMPDOWN CYCLE
- REMOTE CASES ARE HARD WIRED - NO PLUGS



STANDARD FEATURES

- INSULATION - INJECTED FOAM
- INTERIOR - PVC COATED STEEL- GRAY
- EXTERIOR - PVC COATED STEEL-SILVER
- ENDS-FOAMED BLACK POLYSTYRENE
- TILT- FORWARD TEMPERED FRONT GLASS
- CASES ARE MULTIPLEXIBLE
- TEMPERED GLASS NON- REFRIGERATED SHELF
- PULL-OUT CONDENSING UNIT-ON S/C ONLY
- REMOVABLE REAR TEMPERED GLASS SLIDING DOORS
- DEFROST AND TEMPERATURE REGULATED BY A DIGITAL CONTROLLER
- REMOVABLE EVAPORATIVE PAN FOR EASY CLEANING ON S/C ONLY
- LED LIGHTING IN CANOPY AND UNDER SHELF
- ANTI-CONDENSATE SYSTEM FOR FRONT GLASS
- ADJUSTABLE FEET
- ETL LISTED TO UL471 AND SANITATION CLASSIFIED TO NSF7
- THESE CASES COMPLY WITH THE NATIONAL ENERGY STANDARS

OPTIONAL FEATURES

- LIFT UP FRONT GLASS
- CASTERS - ADD 4-3/8" TO HEIGHT
- ADJUSTABLE STAINLESS STEEL LEGS- FROM 5-1/8" TO 7-5/8"
- OTHER COLORS AVAILABLE
- STAINLESS STEEL EXTERIOR
- STAINLESS STEEL INTERIOR
- EVAPORATIVE PAN FOR REMOTE CASES
- WHITE APOXY BI-LEVEL WIRE RACKS
- SCALE STAND WITH RECEPTACLE
- CUTTING BOARD
- (2) OR (3) LEVEL STEP SHAM
- KNIFE SUPPORT

WARRANTY

ONE YEAR PARTS AND LABOR WITH FOUR ADDITIONAL YEARS COMPRESSOR (PARTS ONLY)