

BERTAZZONI

REFRIGERATOR
INSTALLATION AND USE MANUAL

EN

RÉFRIGÉRATEUR
MANUEL D'INSTALLATION ET D'UTILISATION

FR

REFRIGERADOR
INSTALACIÓN Y MANUAL DEL USUARIO

ES



REF24BMBPNB





CONTENTS

1. IMPORTANT INFORMATION	5
1.1 Important Information.....	5
2. APPLIANCE ACCESSORIES	6
2.1 Appliance Accessories.....	6
3. APPLIANCE INSTALLATION AND OPERATING CONDITIONS	7
3.1 Installation and Preparing to Use the Appliance for the First Time.....	7
3.2 Minimum distances from heat sources.....	7
3.3 Connecting to the power supply.....	7
3.4 Disconnecting from the power supply.....	7
4. INSTALLATION INSTRUCTIONS	8
4.1 Installation Instructions.....	8
4.2 Ensuring the door seals correctly.....	8
4.3 Installation into a cabinet.....	11
4.4 Mounting the cabinet door(s).....	11
5. BEFORE USE	13
5.1 Before use.....	13
6. STORAGE INSTRUCTIONS	14
6.1 Fridge use.....	14
6.2 Freezer use.....	14
6.3 Fresh Zone.....	15
6.4 Crisper Drawer Humidity Adjustment.....	15
7. CONTROLS	16
7.1 Fridge use.....	16
8. DEFROSTING	17
8.1 Defrosting.....	17
9. MAINTENANCE AND CLEANING	18
9.1 Maintenance and cleaning.....	18
10. TROUBLESHOOTING	19
10.1 Troubleshooting.....	19
11. WARRANTY	20

1.1 Important Information

1. This manual is general in nature and may reference several refrigerator models. The Manufacturer shall not be held liable for damage arising from failure to comply with the instructions contained in this manual.
2. Keep this manual for future reference and pass it along to the next user.
3. The appliance operates properly at room temperature (see product's climate class). Do not use it in a basement or in an unheated vacation home, cabin, etc. during autumn or winter.
4. When positioning, moving or lifting the appliance, do not hold it by the door handles, do not pull the condenser at the rear part of the refrigerator and do not touch the compressor unit.
5. When transporting, moving or positioning the fridge-freezer, do not tilt it by more than 40° from the vertical position. Should such a situation occur, the appliance should not be switched on for a minimum of 2 hours following its being returned to the correct upright position.
6. Disconnect the plug from the power supply socket before performing any maintenance activity. Do not pull on the power cord to disconnect the power; grip the body of the plug instead.
7. The appliance may emit a "cracking" sound, which is caused by the expansion and contraction of parts as a result of temperature variations.
8. For safety reasons, do not repair the appliance yourself. Repairs carried out by people without the requisite qualifications may result in serious hazards for the appliance user.
9. Air out the room in which the appliance is placed for a few minutes (the size of the room for a product containing isobutane/R600a must be at least 4 m³) to avoid damage to the cooling system.
10. Do not refreeze partially thawed products.
11. Do not store beverages in bottles and cans, especially carbonated beverages, in the freezer chamber. The cans and the bottles may explode.
12. Do not put frozen products (Popsicles, ice cubes, etc.) directly into your mouth after taking them out of the freezer; their low temperature may cause severe ice burns.
13. Make sure you do not damage the cooling system by puncturing the refrigerant tubing in the evaporator or breaking it. The refrigerant is flammable. If the refrigerant comes into contact with the eyes, rinse them with clean water and call for medical assistance immediately.
14. This appliance is intended for food storage; do not use it for other purposes.
15. When performing activities such as cleaning, maintenance or moving, the appliance must be completely disconnected from the power supply (by pulling the plug out of the socket).
16. This appliance can be used by children aged 8 years and older, by people with physical, mental or sensory disabilities or by those who are inexperienced or unfamiliar with the appliance, provided that they are supervised or have been instructed on how to safely use the appliance and are familiar with the risks associated with its use. Make sure that children do not play with the appliance. Cleaning and maintenance of the appliance should not be performed by children unless they are aged 8 years or older and are supervised by a competent person.
17. The Anti-Bacteria System (varies depending on the model; its presence is indicated by the label inside the appliance) protects foods and products inside the refrigerator from bacteria and mold, which may cause unpleasant odors and shorten the life of stored foods. The Anti-Bacteria System prolongs the freshness of food. The special material used to construct the fridge liner inhibits the growth of bacteria, microorganisms and mold.

2. APPLIANCE ACCESSORIES

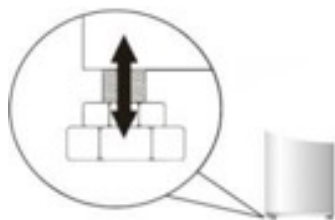
2.1 Appliance Accessories



1. Control panel
2. Air duct panel
3. Glass shelves
4. Crispers
5. Fresh Zone
6. Drawers
7. Door bins

3.1 Installation and Preparing to Use the Appliance for the First Time

- > Make sure there is enough space around the refrigerator for it to operate properly. A free space of 25/64" (10 mm) is required behind the appliance so that air can circulate and cool the compressor. Space above the refrigerator should be at least 1 3/16" (30 mm).
- > Make sure that the appliance is placed in a level position by screwing in the 2 adjustable front legs.



3.2 Minimum distances from heat sources

- > from electric and gas ovens: 1 3/16" (30 mm);
- > from oil- or coal-fired ovens: 11 13/16" (300 mm);
- > from built-in ovens: 1 31/32" (50 mm).

Installation must be performed carefully and exactly as specified, with nothing left to interpretation.

3.3 Connecting to the power supply

- > Prior to connection, it is recommended to set the temperature control knob to "OFF" or to another position that shuts the appliance off from the power supply (see page with description of controls).
- > This appliance should be connected to an AC 110-120V 60HZ power outlet. The socket must be properly fitted and equipped with a grounding conduit and a 10A fuse.
- > It is a legal requirement that the appliance be properly grounded. The manufacturer will not be held liable for any damage or injury which may result from failure to meet this requirement.
- > Do not use adapters, multiple sockets or two-wire extension leads. If it is necessary to use an extension lead, it must be equipped with a protection ring and a single socket and must have a VDE/GS safety certificate.
- > If an extension lead is used (with a protection ring

and safety certificate), its socket must be located at a safe distance, away from sinks, and must not be in a place where it could be exposed to water or wastewater.

- > See the information plate on the lower section of the appliance's interior wall for detailed specifications.

3.4 Disconnecting from the power supply

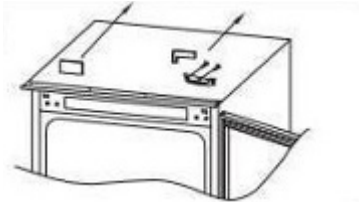
- > Make sure the appliance can be easily disconnected from the power supply, either by pulling the plug out of the socket or by switching the circuit breaker off.

4. INSTALLATION INSTRUCTIONS

4.1 Installation Instructions

CHANGING THE SIDE ON WHICH THE DOORS OPEN

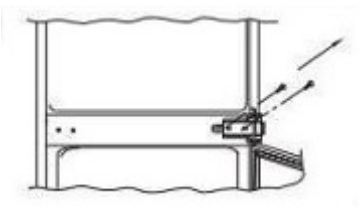
1. Using a screw driver, remove the right upper hinge cover and hinge.



2. Remove the upper door.



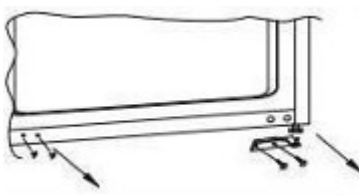
3. Remove the middle hinge and its connecting pin underneath.



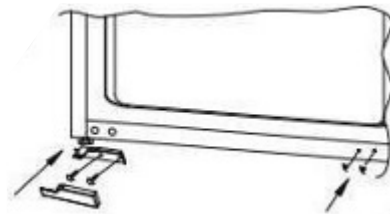
4. Remove the bottom door.



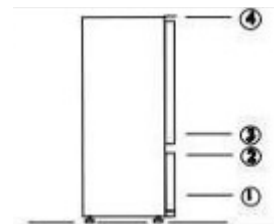
5. Remove the right bottom hinge and left plastic plugs, and refit them on the opposite sides.



6. Mount the right upper hinge on the left bottom corner and install the cover.



7. Remount the doors and hinges, working from bottom to top (from 1-4).



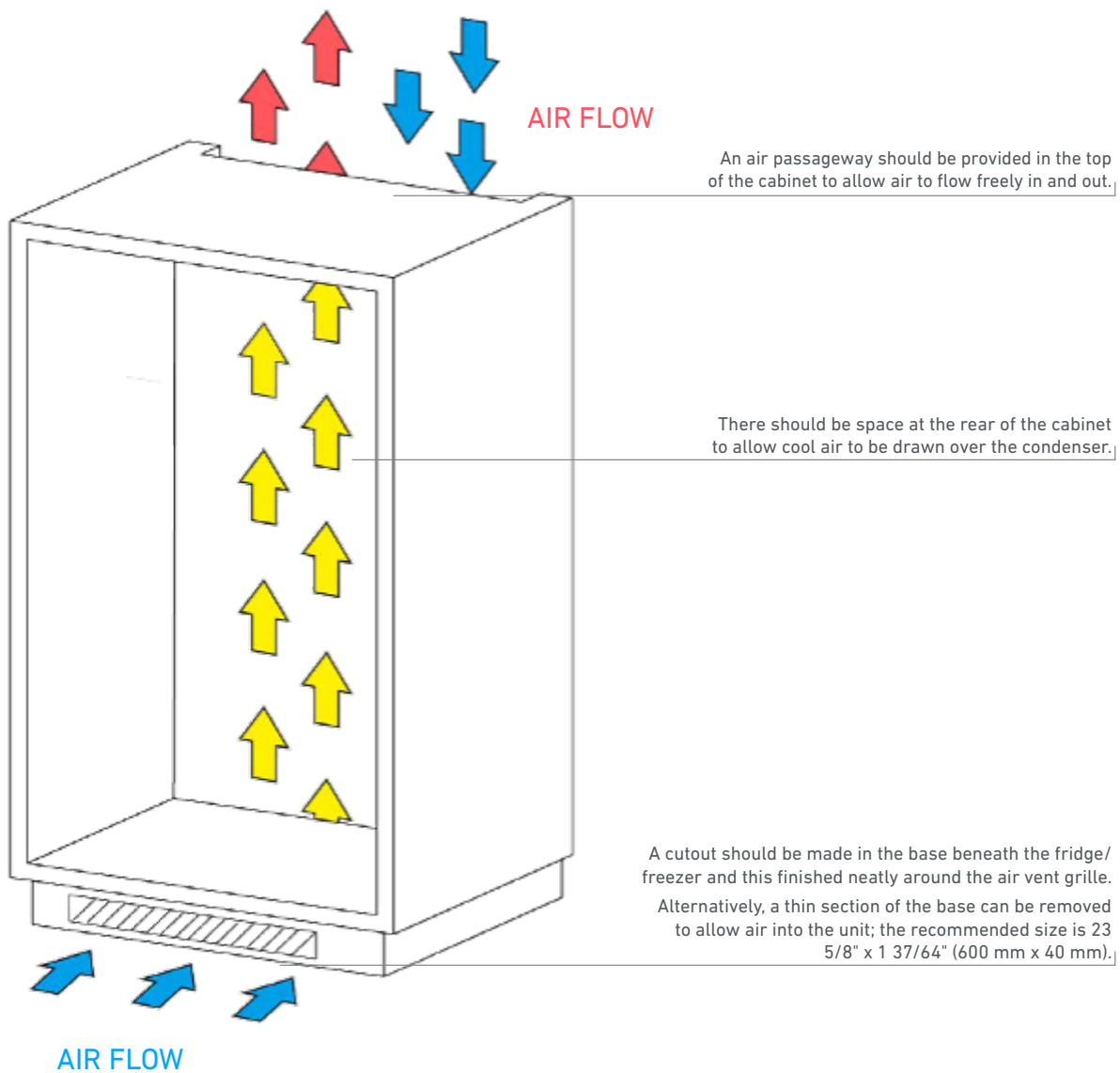
4.2 Ensuring the door seals correctly

It is normal for the seal to be compressed after the door has been reversed. With the door closed, use a hair dryer to expand the seal and fill the gap between the door and the body of the appliance. Take care not to hold the hair dryer too close to the appliance, which could damage the seal.

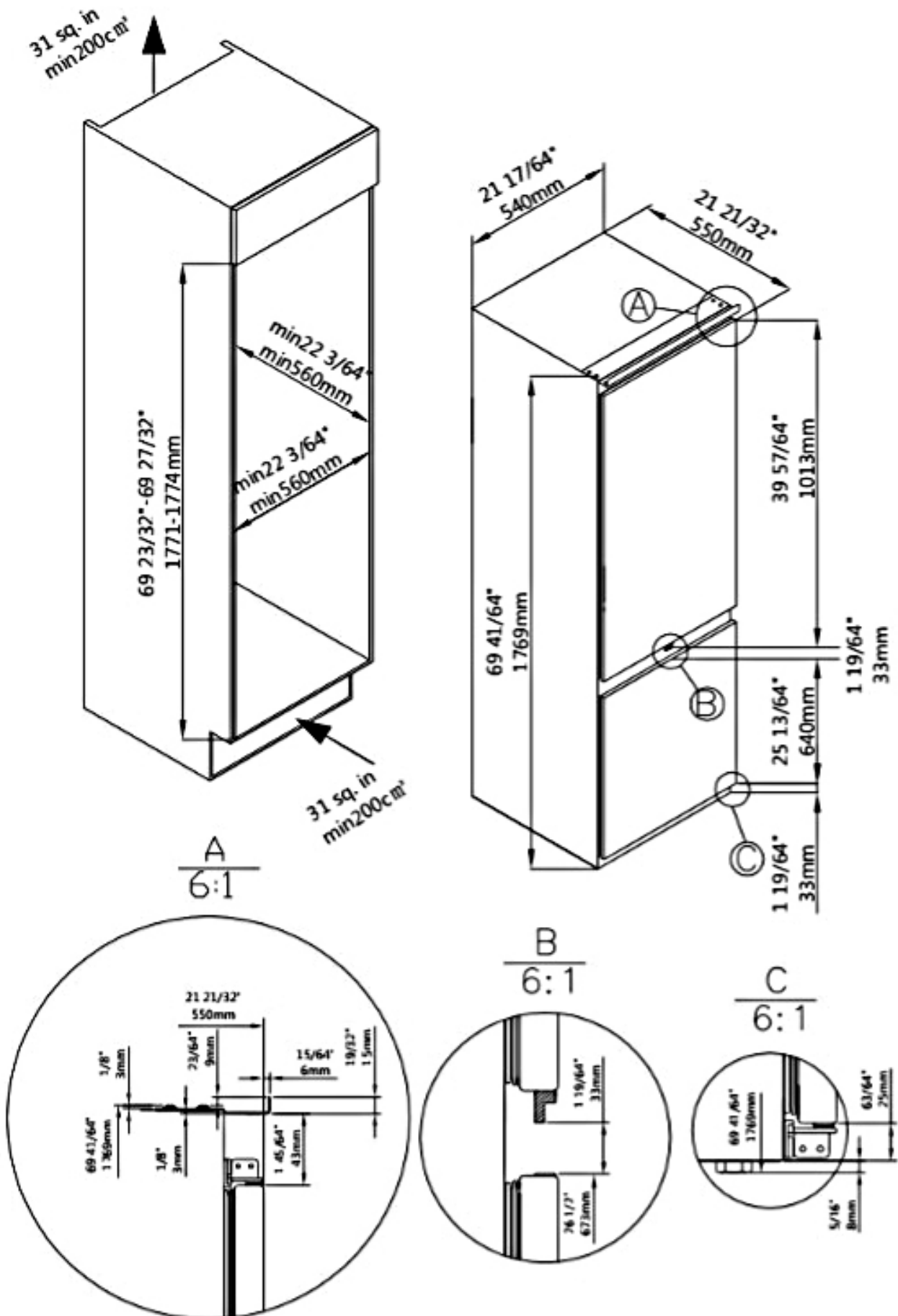
A distance of approximately 4" (10cm) should be suitable. When completed, allow the seal and door to cool before touching them. Once done, the seal should remain in position.

The main consideration when installing any refrigeration unit into a fitted kitchen is ventilation. The heat removed from the cooling compartment needs to be dissipated into the air around the appliance. Incorrect ventilation can lead to premature compressor failure, excessive power consumption and total system failure and may invalidate the warranty provided with the appliance.

For products intended to be installed inside a tall housing cabinet, the following requirements must be met:



4. INSTALLATION INSTRUCTIONS



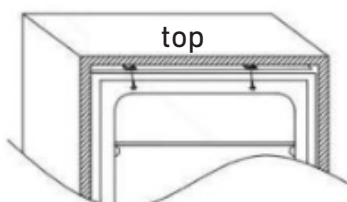
4.3 Installation into a cabinet

With the help of one or two other people, move the appliance into the cabinet. There are two metal plates at the base of the appliance. Fit the supplied white spacers to these plates.

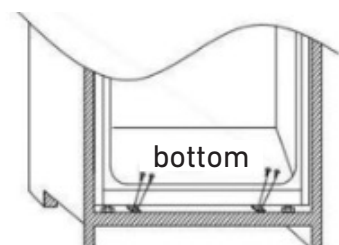
1. Insert the appliance into the column cabinet, placing it on the opposite side of with respect to the hinges, and make sure there is a gap of $1/8''-13/64''$.



2. After checking the alignment of appliance door and cabinet door, mount the plastic covers from the accessories bag.



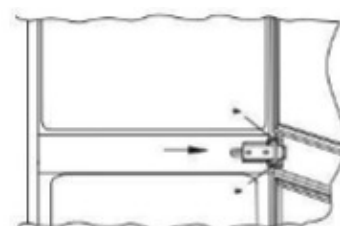
3. Tighten the screws for the appliance's lower part.



4. Fit the seal onto the appliance, cutting off any excess as necessary. Mount the plastic covers on the bottom parts.



5. Use a Phillips-head screwdriver to loosen the connecting pin underneath the right middle hinge, and adjust it to screw onto the right cabinet wall.



4.4 Mounting the cabinet door(s)

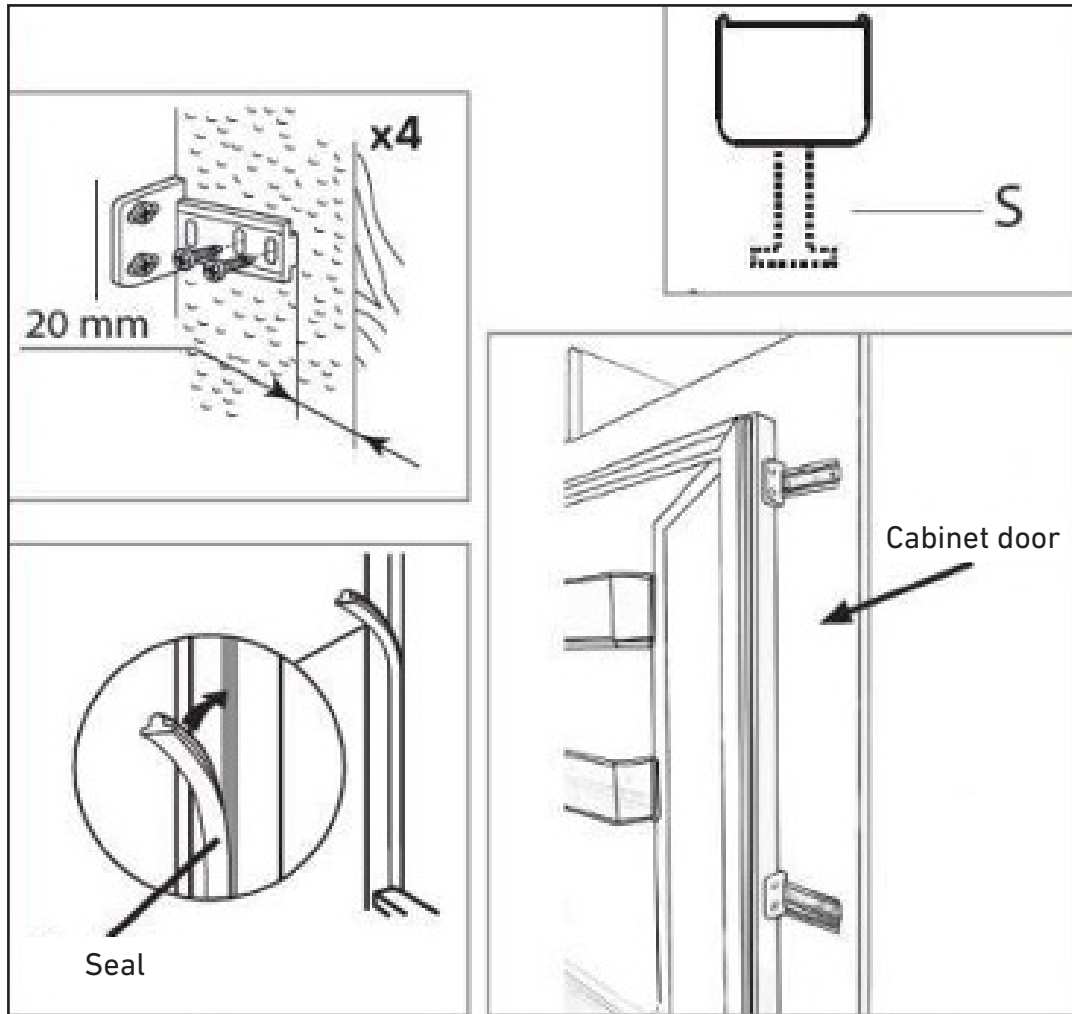
- > Ensure that there is a gap of $1/8''$ to $5/32''$ (3 to 4mm) between the non-hinged side of the fridge and the cabinet wall.
- > Locate the slider in the bracket and mount the slider on the cabinet door, $51/64''$ to $7/8''$ (20 to 22mm) from the door's long edge, as shown in the following image, ensuring that the slider is positioned centrally and horizontally within the bracket. Tighten securely by hand.
- > Fill the gap on the non-hinged side with the gasket/sealing strip provided.
- > The finished look for the door sliders should be similar to those shown in the following image, which shows 2 sliders in place.

Ensure the appliance doors open, close and seal properly.

Once complete, and if you are happy with the fit of the appliance in the cabinet, bend and snap off the parts of the white spacers marked 'S', as shown by the dotted outline.

Leave the remaining portions of the spacer covers in place over the metal plates.

4. INSTALLATION INSTRUCTIONS



Important

After completing the installation, check that the appliance is secure within the cabinet and that the door(s) close and open properly. If there is no resistance from the door seals when opening the door(s), then it is probable that the appliance and/or cabinet door(s) are not fitted properly.

5.1 Before use

Before first use, you must allow the fridge to settle for at least twenty-four hours prior to switching the power on.

It is recommended that you clean the interior of the appliance prior to first use using a solution of baking soda and warm water, then thoroughly dry the interior. The fridge may have an odor at its first use. This will disappear as the appliance cools.



NOTE:

The appliance will start at 41 °F (5°C) for the fridge and 0 °F (-18 °C) for the freezer and work continuously until it comes down to the correct temperature. If the appliance is switched off, you should allow five minutes before switching it on again in order to prevent unnecessary damage to the compressor. Never store flammable or explosive items or strong corrosive acids or alkalis in the appliance. This fridge cools your food by making the inside back of the cavity cold. It is normal for frost to build up on this surface; it then dissipates and drains through a small drain at the bottom, where it evaporates harmlessly. The presence of frost at the back does not mean that the fridge is malfunctioning.

6. STORAGE INSTRUCTIONS

6.1 Fridge use

1. Never put liquids into the refrigerator uncovered.
2. Never put hot foods into the refrigerator. Warm food should be allowed to cool to room temperature before being put into the refrigerator.
3. Nothing should rest against the rear wall of the refrigerator, as this will cause frost which will be difficult to remove and possible condensation problems.
4. Make sure food is clean and that any excess water is wiped off before putting it into the fridge.
5. Wrap or cover food before putting it into the fridge. This will help prevent the loss of moisture, keep food fresh and avoid unpleasant odors.
6. Any foods to be used soon should be stored at the front of the shelf, in order to prevent deterioration, which could be caused when the door is kept open for long periods of time.
7. Do not overfill the fridge. There should be sufficient space between foods to allow cool air to circulate.
8. Thawing frozen foods in the fridge compartment will help to keep the temperature low and save energy.
9. Never store raw meats on shelves above cooked meats or other produce. This will help to prevent juices from raw meat from contaminating other foodstuffs.



NOTE

The fridge shelves can be moved within the refrigerator compartment depending on storage requirements. To move a shelf, lift up the rear section and then pull it outwards.

To replace, slide the shelf back into the slot and then lower the rear section.

6.2 Freezer use

1. The freezer compartments are designed to store only frozen food.
2. Never put hot or warm foods into the freezer; allow them to cool fully before putting them into the freezer.
3. When storing frozen food, follow the instructions on the food packaging. If no information is

provided, foods should not be stored for longer than three months after the purchase date.

4. Store food in small packages (ideally less than 1 kg). This reduces freezing time and improves the quality of the food after thawing.
5. Wrap food before putting it into the freezer. To stop the wrapping from sticking together, ensure it is dry.
6. Label food before freezing, with information including type of food and dates of storage and expiration.
7. Once food is thawed, it must not be refrozen. In order to prevent wastage, only defrost as much food as is required.
8. Bottled or canned drinks should not be stored in the freezer compartments, as they could explode.
9. The maximum amount of fresh food that can be frozen within a 24-hour period is 5.7 lb (2.6 kg).
10. Do not attempt to freeze more than the maximum amount.

The fridge section is for short-term food storage. Although low temperatures can be maintained, it is not recommended to store food for extended periods.

The temperature can vary between the different sections as the cold air circulates within the fridge. For this reason, foods should be stored in different sections according to type.

1. Butter, cheeses, etc.
2. Food in jars and bottles
3. Beverages, e.g. milk
4. Cooked food
5. Yogurts, preserves, etc.
6. 75cl bottles, ready-made meals, etc.
7. Fresh meat and fish
8. Fruits and vegetables



> The fridge shelves can be moved within the refrigerator compartment depending on storage requirements.

> To move a shelf, lift up the rear section and then pull it outwards.

> To replace, slide the shelf back into the slot and then lower the rear section.

6.3 Fresh Zone

- > You can control the temperature inside the fresh zone independently.
- > The temperature range for the fresh zone is from 37°F (3°C) to 27°F (-3°C).
- > Zero-degree biological preservation technology allows the refrigerator to maintain a relatively stable independent temperature very close to 37°F (3°C), but not lower than the 27°F (-3°C) of the Fresh Zone compartment. The temperature of the Fresh Zone ensures that food will not be frozen but will nonetheless be kept fresh for a longer period of time.
- > Suggestions for use: It is recommended to store fresh fish and meat at temperatures between 28°F (-2°C) and 32°F (0°C). Put frozen ingredients into the Fresh Zone 4-5 hours before use; you can cut or cook frozen foods effortlessly and enjoy a more modern, faster and healthier cooking experience.
- > It is recommended to store vegetables and fruits at temperatures between 32°F (0°C) and 37°F (3°C).



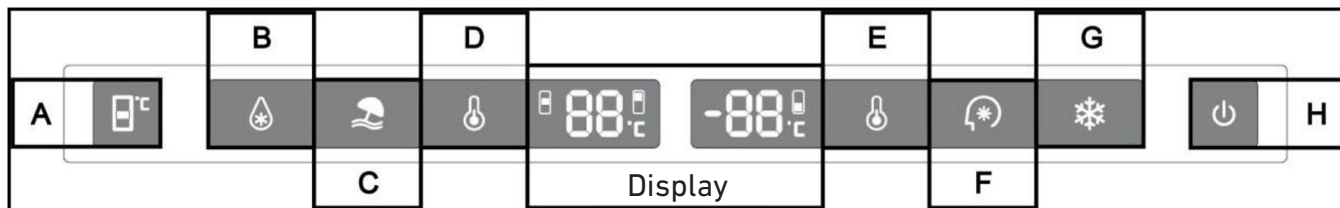
NOTE

If you want to put ingredients that dry out easily, such as meat, into the Fresh Zone for more than 4 hours, you should wrap them in plastic wrap in order to prevent excessive moisture loss, which would affect the taste.

6.4 Crisper Drawer Humidity Adjustment

- > The crisper drawer within this appliance features a humidity level adjustment slider. Vegetables and similar foods that are subject to wilting (e.g. arugula, spinach leaves, herbs such as basil, etc.) should be kept in the crisper drawer and the adjustment slider kept closed (fully to the left: high). By keeping the adjustment slider closed, water vapor is held in the drawer and subsequently greens are kept crisper and fresher for longer.
- > By contrast, fruits that are susceptible to rotting should be stored in the crisper drawer with the humidity adjustment slider fully open (to the right: low). This will allow the gases that accelerate spoilage, emitted by certain foods, to exit the crisper drawer.
- > The drawer is marked high and low, with vegetable and fruit symbols to aid you.

7. CONTROLS



7.1 Fridge use

- When the appliance is switched on for the first time or power is restored after a power failure, it will be operating at the following settings: 41 °F (5°C) for the fridge, 37°F (3°C) for the Fresh Zone and 0 °F (-18°C) for the freezer. If you wish to adjust the temperature or functions manually, press any button to wake up the control panel, then you will be able to make your changes.
- Fridge temperature adjustment: Press button D on the left-hand side of the control panel to adjust the temperature within a range of between 34°F (1°C) and 43°F (6°C).
- Freezer temperature adjustment: Press button E on right-hand side of the control panel to adjust the temperature within a range of between 5°F (-15)°C and -9°F (-22°C).
- Fast Cooling function: Press button B; the button lights up and the Fast Cooling function is activated. The fridge starts to operate automatically at a temperature setting of 34°F (1°C) and continues to do so for 2.5 hours, after which the function will quit and the light will turn off.
- Holiday function: Press button C; the button lights up. Holiday function is enabled and the entire appliance automatically starts to operate at the following settings: fridge at 63°F (17°C) and freezer at 0°F (-18°C). The Fresh Zone operates at 63°F (17°C).
- Smart function: Press button F on the control panel; the Smart function is enabled and the button lights up. The fridge compartment operates at 41°F (5°C) and the freezer compartment operates at 0°F (-18°C). The Fresh Zone operates at 37°F (3°C).
- Fast Freezing function: Press button G; the button lights up and the freezer starts to run the Fast Freezing function, with a temperature setting of -9°F (-22°C). After 6 hours, the Fast Freezing function quits automatically.
- Press and hold button H for 3 seconds to switch off your appliance; the button lights up and the power is shut off. The interior lighting and the

compressor stop operating. Press and hold button H for 3 seconds to switch your appliance on; the symbol lights up and power is restored.

- Press button A to temporarily show the Fresh Zone settings on the display; press button A again to adjust the temperature. The temperature range for the Fresh Zone is between 27°F (-3°C) and 37°F (3°C).
- No Frost models feature a function called Forced Defrosting. Press and hold buttons D + H or E + H for 5 seconds to switch on the Forced Defrosting function and clean the freezer evaporator; the freezer temperature will be displayed. Press and hold buttons D + H or E + H for 3 seconds to switch off the Forced Defrosting function; the freezer temperature will be displayed.
- Fault Display – This appliance has a "Fault Display & Alarm" function. Once the sensors detect a fault, alerts are shown on the temperature display; the appliance still cools, but a professional service engineer should be called in to check it.

- F1 – Fridge evaporator sensor
- F2 – Fresh Zone sensor
- F3 – Fridge compartment sensor
- F4 – Freezer compartment sensor
- F5 – Freezer evaporator sensor
- 2E – Freezer fan/motor fault
- EC – Communication fault between main board and display panel



NOTE

The main board is located in the compressor compartment

8.1 Defrosting

The product has a No Frost system, which is designed to prevent heavy buildup of ice. Under normal conditions of use, there should be no need to regularly defrost the freezer system.

**NOTE**

If you are regularly finding heavy ice buildup or pools of water in the freezer section, then it is likely that the door is not sealing properly. This could be due to a faulty door seal, incorrect assembly or overloading. For more information, see the troubleshooting section on ice.

9. MAINTENANCE AND CLEANING

9.1 Maintenance and cleaning

Always disconnect the appliance from the power supply before performing any cleaning or maintenance.

The fridge and freezer sections should be cleaned using a solution of bicarbonate of soda and lukewarm water. Do not use abrasive products or detergents. After washing, rinse and dry thoroughly.

Clean the shelves and door bins separately, by hand, with a mild solution of dish soap and water. Do not put them in the dishwasher.

If the appliance is not going to be used for an extended period of time, unplug and clean the appliance. The doors should be left slightly ajar to prevent the formation of mildew and unpleasant odors.

10.1 Troubleshooting

If you have any problems with your appliance, you should check this troubleshooting section prior to calling Customer Care.

If the appliance is not working, check that:

There is power being supplied to the appliance.

The fuses in your house are intact and the fuse in the plug has not blown. The fridge has not been turned off.

The electrical socket is working. To check this, plug another electrical appliance into it to see if the socket is faulty.

If the appliance is working, but not very well, check that:

The appliance is not overloaded.

The thermostat is set to an appropriate temperature.

The doors are closing properly.

The cooling system on the back of the appliance is clean and free of dust and is not touching the rear wall.

There is enough ventilation around the side and rear walls.

If the appliance is noisy, check that:

The appliance is level and stable.

The side and rear walls are clear and there is nothing resting against the appliance.



Note

The coolant gas in the refrigerator may make a slight bubbling or gurgling noise, even when the compressor is not running.

If the appliance is beeping, check that:

The doors are closed. An alarm will sound after a door has been open for 60 seconds.

If ice has formed on the back wall of the fridge:

It is normal for some ice droplets to form on the back wall of the fridge. This does not constitute a fault with the appliance.

Ensure that no items inside the fridge are in contact with the back wall.

Check that there is some resistance when opening the door of the appliance. If it opens at the slightest touch, it may mean that the door seal needs to be replaced.

Check the door seal for any kinks, debris or damage. If you notice any, and are unable to resolve the issue yourself, contact Customer Care so that

the seal can be replaced.

This can be due to the cabinet door(s) not being properly fitted. If you are at all unsure, ask your installer to check the cabinet doors.

If excessive ice has formed in the freezer:

Check that there is some resistance when opening the door of the appliance. If it opens at the slightest touch, it may mean that the door seal needs to be replaced.

Check the door seal for any kinks, debris or damage. If you notice any, and are unable to resolve the issue yourself, contact Customer Care so that the seal can be replaced.

This can be due to the door panel(s) not being properly fitted. If you are at all unsure, ask your fitter to check the door panel(s).

If one or more of the LED units within the appliance is not working:

Contact Customer Care to arrange a service visit.

11. WARRANTY

11. Warranty

What this limited warranty covers:

The Warranty coverage provided by Bertazzoni SpA ("Bertazzoni") in this statement applies exclusively to the original Bertazzoni appliance ("Product") sold to the consumer ("Purchaser") by an authorized Bertazzoni dealer/distributor/retailer, purchased and installed in the United States, District of Columbia or Canada, and which has always remained within the original country of purchase (the United States, District of Columbia or Canada). Warranty coverage is activated on the date of the Product's original retail purchase and has a duration of **two (2)** years.

Warranty coverage is non-transferable.

In the event of replacement of parts or of the entire product, the replacement Product (or parts) shall assume the remaining original Warranty activated with the original retail purchase document. This Warranty shall not be extended with respect to such replacement.

Bertazzoni SpA will repair or replace any component/part which fails or proves defective due to materials and/or workmanship within 2 years of the date of the original retail purchase and under conditions of ordinary residential, non-commercial use.

Repair or replacement will be free of charge, including labor at standard rates and shipping expenses. Purchaser is responsible for making the Product reasonably accessible for service. Repair service must be performed by a Bertazzoni Authorized Service company during normal working hours. Labor performed at overtime or premium rates shall not be covered by Warranty.



IMPORTANT

Retain proof of original purchase to establish warranty period.

Bertazzoni's liability on any claim of any kind, with respect to the goods and/or services provided, shall in no event exceed the value of the goods or service or part thereof which has given rise to the claim.

30-Day Cosmetic warranty

The Purchaser must inspect the product at the time of delivery.

Bertazzoni warrants that the Product is free from manufacturing defects in materials and workmanship for a period of thirty (30) days from date of original retail purchase of the Product.

This coverage includes:

- Paint blemishes

- Chips
- Macroscopic finish defects

Cosmetic warranty does NOT cover:

- > issues resulting from incorrect transport, handling and/or installation (e.g.: dents, broken, warped or deformed structures or components, cracked or otherwise damaged glass components);
- > slight color variations on painted/enameled components;
- > differences caused by natural or artificial lighting, location or other analogous factors;
- > stains/corrosion/discoloration caused by external substances and/or environmental factors;
- > **labor costs, display, floor, B-stock, out-of-box, "as is" appliances and demo units.**

How to receive service

To receive warranty services, the Purchaser must contact the Bertazzoni Service department in order to determine the problem and the required service procedures.

Model number, serial number and date of original retail purchase will be requested.



IMPORTANT

Retain proof of original purchase to establish warranty period.

If located in the USA

866-905-0010

<https://us.bertazzoni.com/more/support>

If located in CANADA

800-561-7265

<https://ca.bertazzoni.com/more/support>

Warranty Exclusions: What Is Not Covered

- > Use of the Product in any non-residential, commercial application.
- > Use of the Product for anything other than its intended purpose.
- > Repair services provided by anyone other than a Bertazzoni Authorized Service agency.
- > Damages or repair services to correct services provided by unauthorized parties or the use of unauthorized parts.
- > Installation not in accordance with local/state/city/county fire codes, electrical codes, gas codes, plumbing codes, building codes, laws or regulations.
- > Defects or damage due to improper storage of the Product.
- > Defects, damage or missing parts on products sold out of the original factory packaging or from displays.
- > Service calls or repairs to correct an incorrect

installation of the Product and/or related accessories.

- Replacement of parts/service calls to connect, convert or otherwise repair the electrical wiring and/or gas line to properly use the product.
- Replacement of parts/service calls to provide instructions and information on the use of the Product.
- Replacement of parts/service calls to correct issues arising from the product being used in a manner other than what is normal and customary for residential use.
- Replacement of parts/service calls due to wear and tear of components such as seals, knobs, pan supports, shelving, cutlery baskets, buttons, touch displays, scratched or broken ceramic-glass tops.
- Replacement of parts/service calls for lack of/improper maintenance, including but not limited to: build up of residues, stains, scratches, discoloration, corrosion.
- Replacement of glass components and light bulbs, if claim arises later than 30 days from the original retail purchase date.
- Defects and damage arising from accidents, alterations, misuse, abuse or improper installation.
- Defects and damages arising from Product transport, logistics and handling. Inspection of the product must be made at time of delivery. Following receipt and inspection, the selling dealer/delivery company must be notified of any issues arising from handling, transport and logistics.
- Defects and damage arising from external forces beyond the control of Bertazzoni SpA, including but not limited to wind, rain, sand, fires, floods, mud slides, freezing temperatures, excessive moisture or extended exposure to humidity, power surges, lightning, structural failures surrounding the appliance and other acts of God.
- Products whose serial number has been altered/damaged/tampered with.

In no case shall Bertazzoni be held liable or responsible for damage to surrounding property, including furniture, cabinetry, flooring, panels, and other structures surrounding the Product.

Bertazzoni is neither liable nor responsible for the Product if it is located in a remote area or an area where certified trained technicians are not reasonably available. Purchaser must bear any transportation and delivery costs of the Product to the nearest Authorized Service Center or the additional travel expenses of a certified trained technician.

THERE ARE NO EXPRESS WARRANTIES OTHER THAN THOSE LISTED AND DESCRIBED ABOVE, AND NO WARRANTIES EITHER EXPRESS OR IMPLIED, INCLUDING, BUT NOT LIMITED TO, ANY IMPLIED WARRANTIES OF MERCHANTABILITY OR FITNESS FOR A PARTICULAR PURPOSE THAT SHALL APPLY AFTER THE EXPRESS WARRANTY PERIODS STATED ABOVE, AND NO OTHER EXPRESS WARRANTY OR GUARANTEE GIVEN BY ANY PERSON, FIRM OR CORPORATION WITH RESPECT TO THIS PRODUCT SHALL BE BINDING ON BERTAZZONI. BERTAZZONI SHALL NOT BE LIABLE FOR LOSS OF REVENUE OR PROFITS, FAILURE TO REALIZE SAVINGS OR OTHER BENEFITS, TIME AWAY FROM WORK, MEALS, LOSS OF FOOD OR BEVERAGES, TRAVELING OR HOTEL EXPENSES, EXPENSES TO RENT OR PURCHASE APPLIANCES, REMODELLING/CONSTRUCTION EXPENSES IN EXCESS OF DIRECT DAMAGES WHICH ARE UNDENIABLY CAUSED EXCLUSIVELY BY BERTAZZONI, OR ANY OTHER SPECIAL, INCIDENTAL OR CONSEQUENTIAL DAMAGES CAUSED BY THE USE, MISUSE OR INABILITY TO USE THIS PRODUCT, REGARDLESS OF THE LEGAL THEORY ON WHICH THE CLAIM IS BASED, AND EVEN IF BERTAZZONI HAS BEEN ADVISED OF THE POSSIBILITY OF SUCH DAMAGES. NOR SHALL RECOVERY OF ANY KIND AGAINST BERTAZZONI BE GREATER IN AMOUNT THAN THE PURCHASE PRICE OF THE PRODUCT SOLD BY BERTAZZONI AND CAUSING THE ALLEGED DAMAGE. WITHOUT PREJUDICE TO THE FOREGOING, PURCHASER ASSUMES ALL RISK AND LIABILITY FOR LOSS, DAMAGE OR INJURY TO PURCHASER AND PURCHASER'S PROPERTY AND TO OTHERS AND THEIR PROPERTY ARISING FROM THE USE, MISUSE, OR INABILITY TO USE THIS PRODUCT SOLD BY BERTAZZONI THAT IS NOT A DIRECT RESULT OF NEGLIGENCE ON THE PART OF BERTAZZONI. THIS LIMITED WARRANTY SHALL NOT EXTEND TO ANYONE OTHER THAN THE ORIGINAL PURCHASER OF THIS PRODUCT, IS NON-TRANSFERABLE AND STATES YOUR EXCLUSIVE REMEDY.

Bertazzoni does not assume any responsibility for incidental or consequential damages.

Some states do not allow the exclusion or limitation of incidental or consequential damages, so the above limitation or exclusion may not apply to you. This warranty gives you specific legal rights and you may also have other rights which may vary from state to state or province to province.

Any questions about this Limited Warranty may be directed to Bertazzoni Customer Care.

**If located in the USA
866-905-0010**

<https://us.bertazzoni.com/more/support>

**If located in CANADA
800-561-7265**

<https://ca.bertazzoni.com/more/support>

TABLE DES MATIÈRES

1. AVIS IMPORTANTS	23
1.1 Avis importants.....	23
2. ACCESSOIRES DE L'APPAREIL	24
2.1 Accessoires de l'appareil.....	24
3. CONDITIONS D'INSTALLATION ET DE FONCTIONNEMENT DE L'APPAREIL	25
3.1 Installation avant la première utilisation de l'appareil.....	25
3.2 Distances minimales des sources de chaleur.....	25
3.3 Raccordement à l'alimentation électrique.....	25
3.4 Déconnexion de l'alimentation électrique.....	25
4. INSTRUCTIONS D'INSTALLATION	26
4.1 Instructions d'installation.....	26
4.2 Vérification de l'étanchéité de la porte.....	26
4.3 Installation dans l'armoire.....	29
4.4 Montage des portes de l'armoire.....	29
5. AVANT L'UTILISATION	31
5.1 Avant l'utilisation.....	31
6. INSTRUCTIONS D'ENTREPOSAGE	32
6.1 Utilisation du réfrigérateur.....	32
6.2 Utilisation du congélateur.....	32
6.3 Zone fraîcheur.....	33
6.4 Réglage de l'humidité du bac à légumes.....	33
7. COMMANDES	34
7.1 Utilisation du réfrigérateur.....	34
8. DÉGIVRAGE	35
8.1 Dégivrage.....	35
9. ENTRETIEN ET NETTOYAGE	36
9.1 Entretien et nettoyage.....	36
10 RÉOLUTION DES PROBLÈMES	37
10.1 Résolution des problèmes.....	37
11. GARANTIE	38

1.1 Avis importants

1. Ce manuel est générique et peut faire référence à plusieurs modèles de réfrigérateurs. Le fabricant ne peut être tenu pour responsable des dommages résultant du non-respect des instructions contenues dans ce manuel.
2. Conserver ce manuel pour le consulter ultérieurement ou pour le remettre au prochain utilisateur.
3. L'appareil fonctionne correctement à température ambiante (voir la classe climatique du produit). Ne pas l'utiliser dans une cave ou une résidence d'été non chauffée en automne et en hiver.
4. Lors du positionnement, du déplacement ou du soulèvement de l'appareil, ne pas tenir les poignées de porte, ne pas tirer sur le condenseur situé à l'arrière du réfrigérateur et ne pas toucher le groupe compresseur.
5. Lors du transport, du déplacement ou du positionnement du réfrigérateur-congélateur, ne pas l'incliner de plus de 40° par rapport à la position verticale. Si une telle situation se produit, l'appareil doit être remis en marche au moins 2 heures après avoir été replacé dans la bonne position.
6. Avant chaque opération d'entretien, retirer la fiche de la prise de courant. Ne pas tirer sur le cordon, mais tenir à la place le corps de la fiche.
7. Le bruit de « craquement » que l'appareil peut émettre est dû à la dilatation et à la contraction des pièces sous l'effet des variations de température.
8. Pour des motifs de sécurité, ne pas réparer l'appareil par ses propres moyens. Les réparations effectuées par des personnes n'ayant pas les qualifications requises peuvent entraîner un grave danger pour l'utilisateur de l'appareil.
9. Aérer la pièce dans laquelle l'appareil est placé pendant quelques minutes (la taille de la pièce pour un produit contenant de l'isobutane/R600a doit être d'au moins 4 m³) afin d'éviter d'endommager le système de refroidissement.
10. Ne pas recongeler des produits partiellement décongelés.
11. Ne pas entreposer de boissons en bouteilles et en canettes, en particulier de boissons gazeuses, dans la chambre de congélation. Les canettes et les bouteilles pourraient exploser.
12. Ne pas porter à la bouche des produits congelés directement sortis du congélateur (glaces à l'eau, glaçons, etc.), car leur basse température pourrait provoquer de graves gelures.
13. Veiller à ne pas endommager le système de refroidissement, en perçant les tuyaux du réfrigérant dans l'évaporateur ou en cassant les tuyaux. Le réfrigérant est inflammable. Si le réfrigérant entre en contact avec les yeux, les rincer à l'eau claire et appeler immédiatement pour obtenir une assistance médicale.
14. Cet appareil est destiné à la conservation des aliments, ne pas l'utiliser à d'autres fins.
15. Lors d'activités telles que le nettoyage, l'entretien ou le déplacement, l'appareil doit être complètement débranché (en retirant la fiche de la prise).
16. Cet appareil peut être utilisé par des enfants âgés de 8 ans et plus ou par des personnes souffrant de handicaps physiques, mentaux ou sensoriels, ou encore par des personnes inexpérimentées ou peu familiarisées avec l'appareil, à condition qu'elles soient surveillées ou qu'elles aient été instruites sur la manière d'utiliser l'appareil en toute sécurité et qu'elles connaissent les risques liés à l'utilisation de l'appareil. Veiller à ce que les enfants ne jouent pas avec l'appareil. Le nettoyage et l'entretien de l'appareil ne doivent pas être effectués par des enfants, sauf s'ils sont âgés de 8 ans ou plus et s'ils sont supervisés par une personne compétente.
17. Le système antibactérien (variable selon le modèle, sa présence est indiquée par l'étiquette à l'intérieur du compartiment de l'appareil) protège les aliments et les produits à l'intérieur du réfrigérateur contre les bactéries et les moisissures, qui peuvent provoquer des odeurs désagréables et réduire la durée de conservation. Le système antibactérien prolonge la fraîcheur des aliments. Le matériau spécial utilisé pour construire la doublure du réfrigérateur empêche le développement des bactéries, des micro-organismes et des moisissures.

2. ACCESSOIRES DE L'APPAREIL

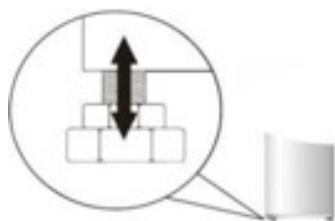
2.1 Accessoires de l'appareil



1. Panneau de commande
2. Panneau de conduit d'air
3. Clayettes en verre
4. Bacs à légumes
5. Zone fraîcheur
6. Bacs
7. Balconnets

3.1 Installation avant la première utilisation de l'appareil

- > Vérifier que l'espace autour du réfrigérateur est suffisant pour permettre son fonctionnement. Un espace libre de 10 mm (25/64 ") est nécessaire à l'arrière de l'appareil afin que l'air puisse circuler pour refroidir le compresseur. L'espace au-dessus du réfrigérateur doit être maintenu à 30 mm (1 3/16 ").
- > S'assurer que l'appareil est positionné à niveau en vissant les 2 pieds avant réglables.



3.2 Distances minimales des sources de chaleur

- > des fours à gaz et fours électriques - 30 mm (1 3/16 ")
- > des fours à mazout ou à charbon - 300 mm (11 13/16 ")
- > des fours encastrables - 50 mm (1 31/32 ")

L'installation doit être précise et réalisée conformément aux spécifications, sans laisser place à l'interprétation.

3.3 Raccordement à l'alimentation électrique

- > Avant le raccordement, il est recommandé de mettre la touche de réglage de la température sur « OFF » ou sur une autre position qui déconnecte l'appareil de l'alimentation électrique (voir la page avec la description de la commande).
- > Cet appareil doit être raccordé à une prise d'alimentation 110-120 V CA 60 Hz. La prise doit être correctement installée et doit être fournie avec un conduit de mise à la terre et un fusible de 10 A.
- > La loi exige que l'appareil soit correctement relié à la terre. Le fabricant ne sera pas tenu responsable de tout dommage ou blessure pouvant résulter du non-respect de cette exigence.

- > Ne pas utiliser d'adaptateurs, de prises multiples et de rallonges à deux fils. S'il est nécessaire d'utiliser une rallonge, celle-ci doit être équipée d'une bague de protection et d'une prise unique. Elle doit en outre avoir un certificat de sécurité VDE/GS.
- > En cas d'utilisation d'une rallonge (avec bague de protection et certificat de sécurité), sa prise doit être située à une distance sûre, loin des éviers, et ne doit pas se trouver dans un endroit où elle pourrait être inondée par de l'eau ou des eaux usées.
- > Voir la plaque signalétique située dans la partie inférieure de la paroi interne de l'appareil pour des spécifications détaillées

3.4 Déconnexion de l'alimentation électrique

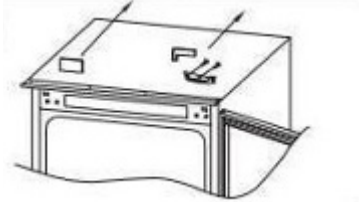
- > S'assurer que l'appareil peut être facilement débranché du réseau électrique, soit en retirant la fiche de la prise, soit en coupant le disjoncteur.

4. INSTRUCTIONS D'INSTALLATION

4.1 Instructions d'installation

CHANGER LE SENS D'OUVERTURE DU PRODUIT

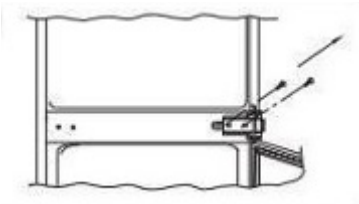
1. Retirer le cache de la charnière supérieure droite et la charnière à l'aide d'un tournevis.



2. Retirer la porte supérieure.



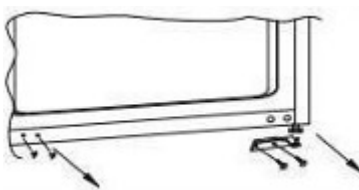
3. Retirer la charnière centrale et son axe de liaison en dessous.



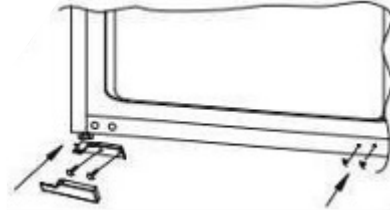
4. Retirer la porte inférieure.



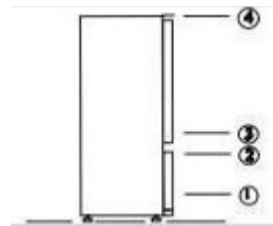
5. Retirer la charnière inférieure droite et les bouchons en plastique à gauche, et les remonter sur le côté opposé.



6. Assembler la charnière supérieure droite en bas à gauche et monter le cache.



7. Remonter les portes et les charnières de bas en haut, en suivant les étapes 1 à 4.



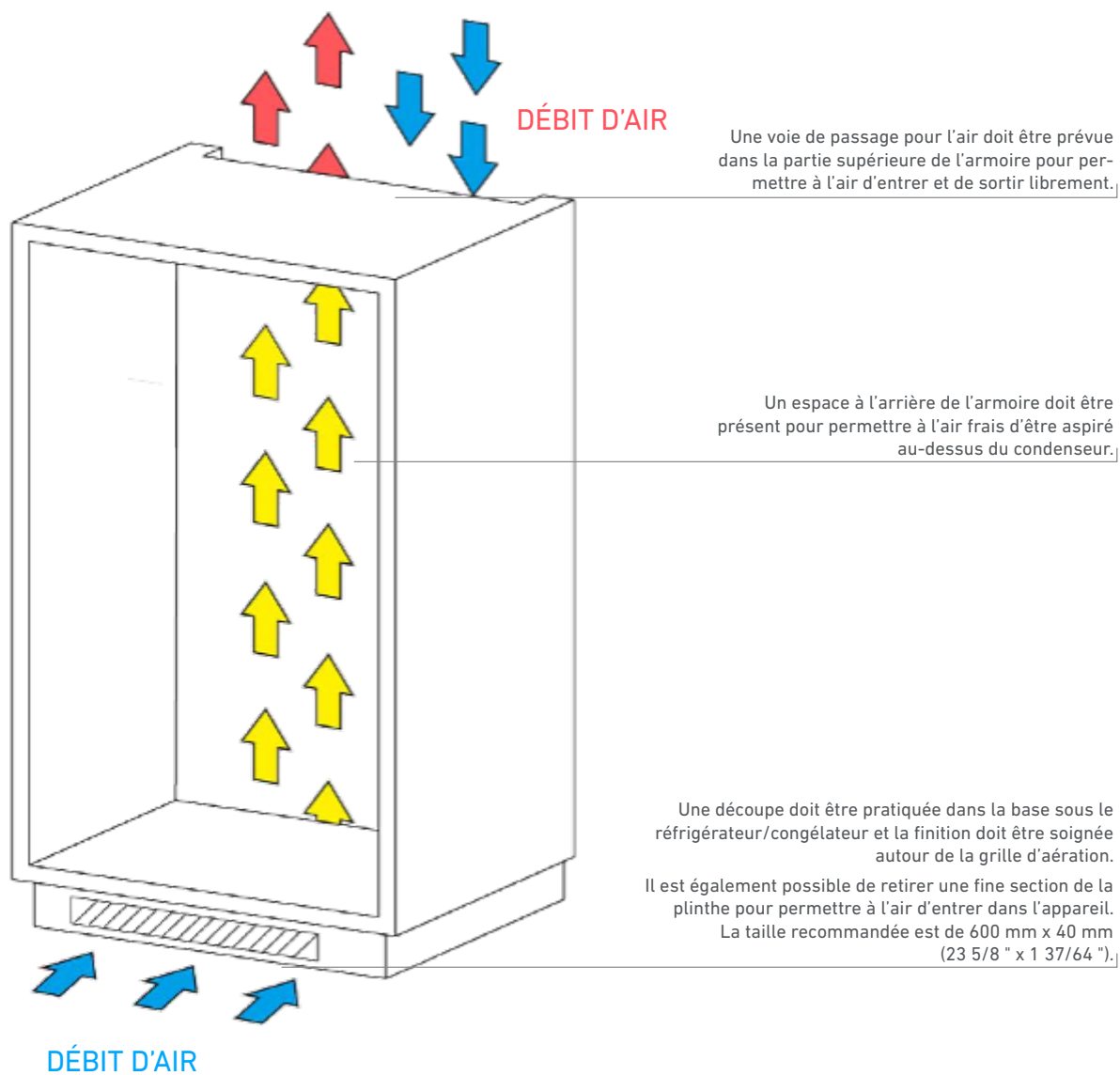
4.2 Vérification de l'étanchéité de la porte

Il est normal que le joint soit comprimé après l'inversion de la porte. Avec la porte fermée, utiliser un sèche-cheveux pour dilater le joint et combler l'espace entre la porte et le corps de l'appareil. Veiller à ne pas utiliser le sèche-cheveux trop près de l'appareil, ce qui pourrait endommager le joint.

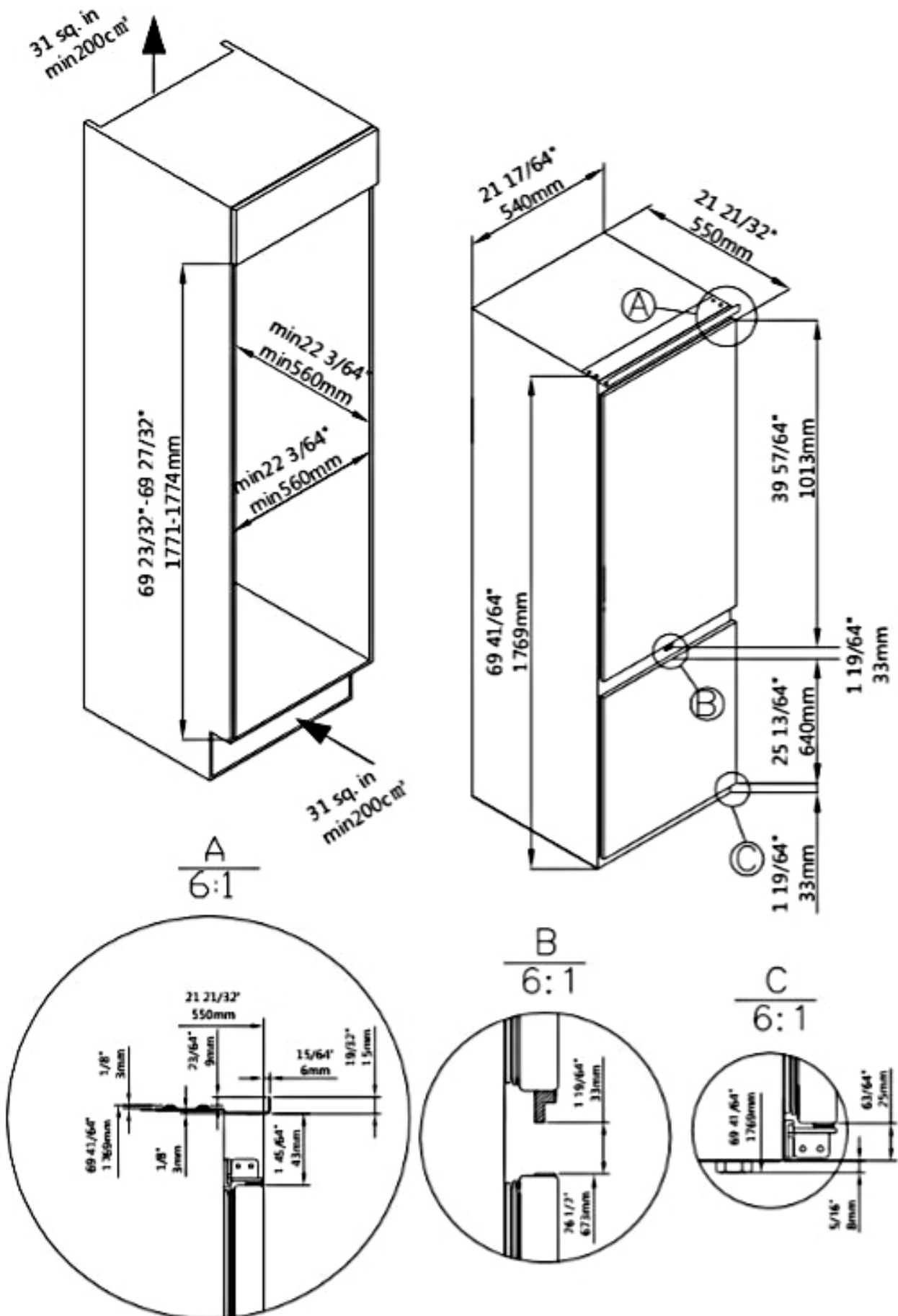
Une distance d'environ 10 cm (4 ") devrait être suffisante. Une fois l'opération terminée, laisser le joint et la porte refroidir avant de les toucher. Une fois cette opération effectuée, le joint devrait rester en place.

Le principal élément à prendre en compte lors de l'installation d'une unité de réfrigération dans une cuisine équipée est la ventilation. La chaleur évacuée du compartiment réfrigérant doit être dissipée dans l'atmosphère. Une ventilation incorrecte peut entraîner une défaillance prématurée du compresseur, une consommation d'énergie excessive, une panne totale du système et peut invalider la garantie fournie avec l'appareil.

Pour les produits destinés à être installés dans une unité de logement haute, les exigences suivantes doivent être respectées :



4. INSTRUCTIONS D'INSTALLATION



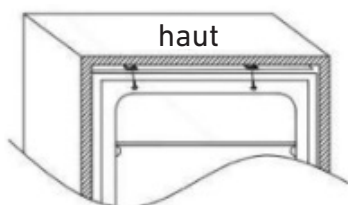
4.3 Installation dans l'armoire

Avec l'aide d'une ou deux autres personnes, placer l'appareil dans l'armoire. Deux plaques métalliques se trouvent à la base de l'appareil. Monter les entretoises blanches fournies sur ces plaques.

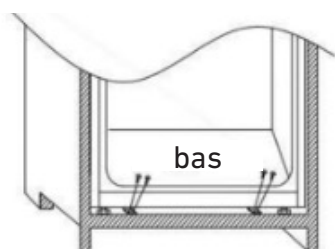
1. Insérer l'appareil dans la colonne en le plaçant du côté opposé des charnières, et s'assurer que l'espacement est de $1/8'' - 13/64''$.



2. Après avoir vérifié la correspondance entre la porte de l'appareil et la porte de la colonne, fixer les couvercles en plastique fournis dans le sachet d'accessoires.



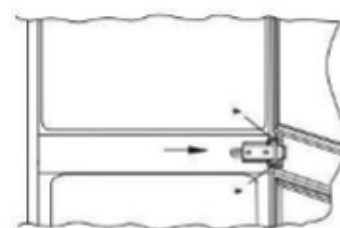
3. Visser la partie inférieure de l'appareil.



4. Monter le joint sur l'appareil, couper la partie excessive si nécessaire. Placer les couvercles en plastique sur les parties inférieures.



5. À l'aide d'un tournevis cruciforme, desserrer l'axe de liaison sous la charnière centrale droite, et l'ajuster pour qu'elle se fixe sur la paroi droite du meuble.



4.4 Montage des portes de l'armoire

> S'assurer qu'un espace de 3 à 4 mm ($1/8''$ à $5/32''$) est présent entre le côté sans charnière du réfrigérateur et la paroi de l'armoire.

> Placer la glissière dans le support et la fixer à la porte de l'armoire à une distance comprise entre 20 et 22 mm ($51/64''$ à $7/8''$) du bord de l'armoire, comme illustré sur l'image, en s'assurant que la glissière est positionnée au centre et horizontalement dans le support. Serrer fermement à la main.

> Remplir l'espace du côté sans charnière du frigo avec le joint ou la bande d'étanchéité fourni.

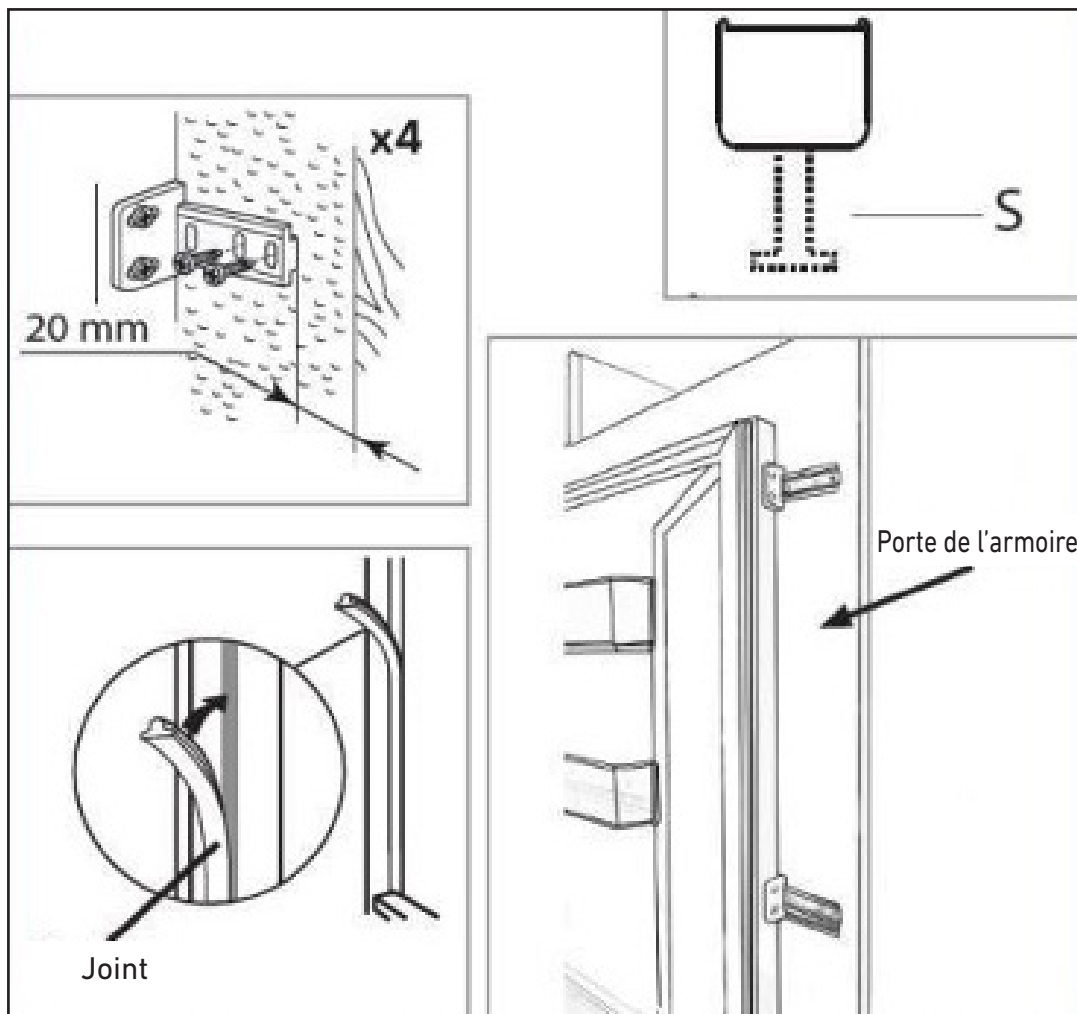
> L'aspect final des glissières de porte doit être similaire à celui illustré dans l'image suivante, qui montre 2 glissières en place.

S'assurer que les portes de l'appareil s'ouvrent et se ferment, de façon hermétique.

Une fois terminé, et si l'appareil est correctement installé dans l'armoire, plier et détacher les parties des entretoises blanches marquées « S » comme indiqué par le contour en pointillé.

Laisser le reste du couvercle de l'entretoise en place sur les plaques métalliques.

4. INSTRUCTIONS D'INSTALLATION



Important

Une fois l'installation terminée, vérifier que l'appareil est correctement fixé dans l'armoire, et que la ou les portes se ferment et s'ouvrent correctement. Si les joints de porte n'opposent pas de résistance lors de l'ouverture des portes, il est probable que l'appareil et/ou les portes de l'armoire ne sont pas correctement installés.

5.1 Avant l'utilisation

Avant la première utilisation, laissez le réfrigérateur se stabiliser pendant au moins vingt-quatre heures avant de le mettre sous tension.

Il est recommandé de nettoyer l'intérieur de l'appareil avant la première utilisation en utilisant une solution de bicarbonate de soude et d'eau chaude, puis de sécher soigneusement l'intérieur. Le réfrigérateur peut dégager une odeur lors de sa première utilisation. Cette odeur disparaîtra au fur et à mesure que l'appareil refroidira.



REMARQUE :

L'appareil démarre à 5 °C (41 °F) pour le réfrigérateur et à -18 °C (0 °F) pour le congélateur. Il fonctionne de façon continue jusqu'à ce qu'il atteigne la température adéquate. Si l'appareil est éteint, il convient d'attendre cinq minutes avant de le rallumer pour éviter d'endommager inutilement le compresseur. Ne jamais entreposer d'objets inflammables ou explosifs ni d'acides ou de bases fortement corrosifs dans l'appareil. Ce réfrigérateur refroidit vos aliments en rendant l'intérieur de la cavité froide. Il est normal que du givre s'accumule sur cette surface ; il se dissipe ensuite et s'écoule par un petit drain situé au fond, où il s'évapore sans danger. La présence de givre à l'arrière n'est pas un dysfonctionnement du réfrigérateur.

6. INSTRUCTIONS D'ENTREPOSAGE

6.1 Utilisation du réfrigérateur

1. Ne jamais mettre de liquides non recouverts dans le réfrigérateur.
2. Ne jamais mettre d'aliments chauds dans le réfrigérateur. Laisser les aliments chauds refroidir à température ambiante avant de les placer dans le réfrigérateur.
3. Rien ne doit reposer contre la paroi arrière du réfrigérateur, car cela provoquerait du givre et d'éventuels problèmes de condensation qui seraient difficiles à éliminer.
4. S'assurer que les aliments sont propres et que toute trace d'eau est essuyée avant de les placer dans le réfrigérateur.
5. Emballer ou couvrir les aliments avant de les mettre dans le réfrigérateur. Cela permet d'éviter la perte d'humidité, de conserver la fraîcheur des aliments et d'éviter les odeurs désagréables.
6. Les aliments à consommer rapidement doivent être rangés à l'avant de la clayette pour éviter toute détérioration due à l'ouverture prolongée de la porte.
7. Ne pas remplir excessivement le réfrigérateur. L'espace entre les aliments doit être suffisant pour permettre à l'air frais de circuler.
8. La décongélation des aliments congelés dans le compartiment réfrigérateur permet de maintenir une température basse et d'économiser de l'énergie.
9. Ne jamais entreposer de viandes crues sur les clayettes situées au-dessus de viandes cuites ou d'autres produits. Cela permet d'éviter que les jus de la viande crue ne contaminent les autres aliments.



Remarque

Les clayettes du réfrigérateur peuvent être déplacées en fonction des besoins de conservation dans la section réfrigérateur. Pour déplacer la clayette, soulever la partie arrière et la tirer vers l'extérieur.

Pour la remettre en place, faire glisser la clayette dans son emplacement, puis abaisser la section arrière.

6.2 Utilisation du congélateur

1. Les compartiments de congélation sont conçus pour entreposer uniquement des aliments congelés.

2. Ne jamais mettre d'aliments chauds ou tièdes dans le congélateur, les laisser refroidir complètement avant de les mettre dans le congélateur.
3. Suivre les instructions figurant sur l'emballage des aliments pour la conservation des aliments congelés. Si aucune information n'est fournie, les aliments ne doivent pas être conservés plus de trois mois après la date d'achat.
4. Conserver les aliments en petites confections (idéalement moins de 1 kg). Cela réduit le temps de congélation et améliore la qualité des aliments après la décongélation.
5. Emballer les aliments avant de les mettre au congélateur. Pour éviter que l'emballage ne colle, s'assurer qu'il est sec.
6. Étiqueter les aliments avant de les congeler en indiquant notamment le type d'aliment et les dates de conservation et de péremption.
7. Une fois décongelés, les aliments ne doivent pas être recongelés. Ne décongeler que la quantité d'aliments nécessaire pour éviter le gaspillage.
8. Les boissons en bouteille ou en canette ne doivent pas être entreposées dans les compartiments de congélation, car elles pourraient exploser.
9. La quantité maximale d'aliments frais pouvant être congelés sur une période de 24 heures est de 2,6 kg (5,7 lb).
10. Ne pas essayer de congeler plus que la quantité maximale.

La section réfrigérateur est destinée à la conservation des aliments à court terme. Bien qu'il soit possible de maintenir des températures basses, il n'est pas recommandé de conserver des aliments pendant de longues périodes.

Comme l'air froid circule dans le réfrigérateur, la température peut varier entre les différentes sections. Les aliments doivent donc être entreposés dans des sections différentes selon leur type.

1. Beurre, fromages, etc.
2. Aliments en bocaux et en bouteilles
3. Boissons, par exemple le lait
4. Aliments cuits
5. Yaourts, conserves, etc.
6. Bouteilles de 75 cl ou plats cuisinés, etc.
7. Viande et poisson frais
8. Fruits et légumes



- > Les clayettes du réfrigérateur peuvent être déplacées en fonction des besoins de rangement dans la partie réfrigérateur.
- > Pour déplacer la clayette, soulever la partie arrière et la tirer vers l'extérieur.
- > Pour la remettre en place, faire glisser la clayette dans son emplacement, puis abaisser la section arrière.

6.3 Zone fraîcheur

- > La température à l'intérieur de la zone fraîcheur peut-être contrôlée de manière indépendante.
- > Les plages de température de la zone fraîcheur vont de 3°C (37°F) à -3°C (27°F).
- > La technologie de conservation biologique à zéro degré fait que le réfrigérateur contient un compartiment de conservation frais relativement stable, indépendant, très proche de 3°C (37°F), mais pas inférieur à la température de la zone fraîcheur de -3°C (27°F). La température de la zone fraîcheur garantit que les aliments ne seront pas congelés et qu'ils resteront frais pendant un certain temps.
- > Suggestions d'utilisation : Il est recommandé de conserver le poisson frais et la viande fraîche à une température comprise entre -2°C (28°F) et 0°C (32°F). Placer les ingrédients congelés dans la zone fraîcheur 4 à 5 heures avant de les utiliser, pour couper ou cuire les aliments congelés sans effort et profiter d'une expérience culinaire plus moderne, plus rapide et plus saine.
- > Il est recommandé de conserver les légumes et les fruits à une température comprise entre 0 °C (32 °F) et 3 °C (37 °F).



Remarque

Si l'on souhaite placer des ingrédients qui sèchent facilement, comme la viande, dans la zone fraîcheur pendant plus de 4 heures, utiliser un film plastique pour emballer les ingrédients afin d'éviter une perte d'humidité excessive et d'affecter le goût.

6.4 Réglage de l'humidité du bac à légumes

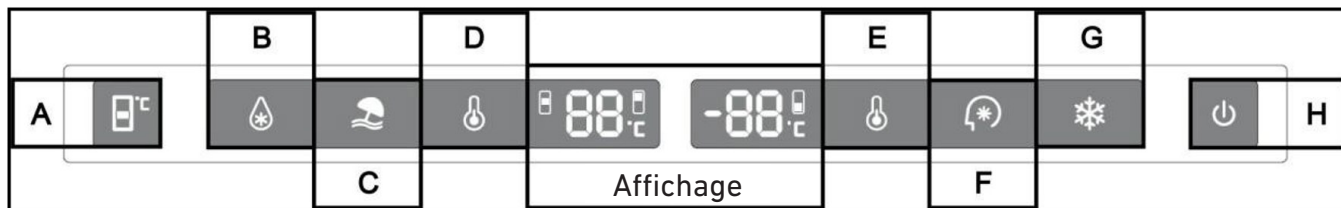
- > Le bac à légumes de cet appareil est doté d'un curseur de réglage du niveau d'humidité. Les légumes et autres aliments susceptibles de flétrir (par exemple, la roquette, les épinards, les herbes aromatiques telles que le basilic, etc.) doivent être

conservés dans le bac à légumes et le curseur de réglage doit rester fermé (complètement à gauche - élevé). En gardant le curseur de réglage fermé, la vapeur d'eau est retenue dans le bac à légumes et les légumes restent frais et croquants plus longtemps.

> En revanche, les fruits susceptibles de pourrir doivent être stockés dans le bac à légumes avec le curseur de réglage de l'humidité complètement ouvert (vers la droite - faible). Cela permettra aux gaz, émis par certains aliments et qui accélèrent le processus de pourrissement, de sortir du bac à légumes.

> Le bac est marqué par des indications « élevé » ou « faible » avec des symboles de fruits et légumes à titre indicatif.

7. COMMANDES



7.1 Utilisation du réfrigérateur

1. Lors de la première mise en marche de l'appareil ou de la réalimentation après une panne de courant, l'appareil fonctionne toujours selon les réglages : 5 °C (41 °F) pour le réfrigérateur, 3 °C (37 °F) pour la zone fraîcheur et -18 °C (0 °F) pour le congélateur. Pour régler la température ou les fonctions manuellement, appuyer sur n'importe quelle touche pour activer le panneau de commande, puis effectuer n'importe quelle modification.
2. Réglage de la température du réfrigérateur : appuyer sur la touche D située sur la partie gauche du panneau de commande pour obtenir différentes températures comprises entre 1 °C (34 °F) et 6 °C (43 °F).
3. Réglage de la température du congélateur : appuyer sur la touche E située sur la partie droite du panneau de commande pour obtenir des températures différentes allant de -15 °C (5 °F) à -22 °C (-9 °F).
4. Fonction de refroidissement rapide : appuyer sur la touche B, la touche s'allume et la fonction de refroidissement rapide est activée. Le réfrigérateur commence à fonctionner automatiquement à une température de 1 °C (34 °F) et la fonction s'arrête après 2,5 heures. La lumière s'éteindra.
5. Fonction Vacances : appuyer sur la touche C, la touche s'allume, la fonction Vacances est activée et tout l'appareil commence à fonctionner automatiquement à des températures de 17 °C (63 °F) pour le réfrigérateur et de -18 °C (0 °F) pour le congélateur. La zone fraîcheur fonctionne à 17 °C (63 °F).
6. Fonction Smart : appuyer sur la touche F du panneau de commande, la fonction Smart est activée et la touche s'allume, le compartiment réfrigérateur fonctionne à une température de 5 °C (41 °F) et le compartiment de congélation à une température de -18 °C (0 °F). La zone fraîcheur fonctionne à une température de 3 °C (37 °F).
7. Fonction de congélation rapide : appuyer sur la touche G, la touche s'allume et le congélateur commence à fonctionner en mode de congélation rapide, à une température de -22 °C (-9 °F). Après 6 heures, la fonction de congélation rapide s'arrête automatiquement.
8. Appuyer sur la touche H pendant 3 secondes pour éteindre l'appareil. La touche s'allume et l'alimentation est coupée. La lumière interne s'éteint, le compresseur cesse de fonctionner. Appuyer sur la touche H pendant 3 secondes pour allumer l'appareil, le symbole s'allume et le courant est rétabli.
9. Appuyer sur la touche A pour faire apparaître temporairement la section d'affichage correspondant à la zone fraîcheur, appuyer à nouveau sur la touche A pour régler la température. Les plages de température de la zone fraîcheur vont de -3 °C (27 °F) à 3 °C (37 °F).
10. Sur les modèles No Frost, il existe une fonction : Dégivrage forcé. Appuyer sur les touches D+H ou E+H pendant 5 secondes pour activer la fonction de dégivrage forcé afin de nettoyer l'évaporateur du congélateur, la température du congélateur s'affichera. Appuyer sur les touches D+H ou E+H pendant 3 secondes pour désactiver la fonction de dégivrage forcé, la température du congélateur s'affichera.
11. Affichage des pannes : cet appareil est doté d'une fonction Affichage des pannes et alarmes. Lorsque les capteurs sont défectueux, des alarmes s'affichent sur l'écran de température. L'appareil continue de refroidir mais il convient d'appeler un technicien professionnel pour vérifier l'appareil.

- F1 – Capteur de l'évaporateur du réfrigérateur
- F2 – Capteur de la zone fraîcheur
- F3 – Capteur du compartiment réfrigérateur
- F4 – Capteur du compartiment de congélation
- F5 – Capteur de l'évaporateur du congélateur
- 2E – Défaut du ventilateur/moteur du congélateur
- EC - Défaut de communication entre le panneau principal et le panneau d'affichage



Remarque

Le panneau principal se trouve dans le compartiment du compresseur

8.1 Dégivrage

Le produit est équipé d'un système No Frost conçu pour empêcher la formation de glace. Dans des conditions normales d'utilisation, il ne devrait pas être nécessaire de dégivrer régulièrement le système de congélation.



Remarque

Si l'on constate régulièrement une forte accumulation de glace ou la présence d'eau dans la section du congélateur, il est probable que la porte ne soit pas correctement hermétique. Cela peut être dû à un joint de porte défectueux, à un assemblage incorrect ou à une surcharge. Pour plus d'informations, consulter la section Résolution des problèmes relative à la glace.

9. ENTRETIEN ET NETTOYAGE

9.1 Entretien et nettoyage

Débrancher toujours l'appareil de l'alimentation électrique avant tout nettoyage ou entretien.

Les parties réfrigérateur et congélateur doivent être nettoyées avec une solution de bicarbonate de soude et d'eau tiède. Ne pas utiliser de produits abrasifs ou de détergents. Après le lavage, rincer et essuyer soigneusement.

Nettoyer séparément les clayettes et les balconnets à la main avec une solution douce de produit vaisselle et d'eau. Ne pas les mettre dans le lave-vaisselle.

Si l'appareil n'est pas utilisé pendant une période prolongée, le débrancher et le nettoyer. Les portes doivent être laissées légèrement entrouvertes pour éviter la formation de moisissures et d'odeurs désagréables.

10.1 Résolution des problèmes

En cas de problème avec l'appareil, vérifiez la présente section de résolution des problèmes avant d'appeler le service à la clientèle.

Si l'appareil ne fonctionne pas, vérifiez que :

L'appareil est alimenté en électricité.

Les fusibles de la maison sont intacts et le fusible de la prise n'a pas sauté. Le réfrigérateur n'a pas été éteint.

La prise de courant fonctionne correctement. Pour le vérifier, branchez un autre appareil électrique pour voir si la prise est défectueuse.

Si l'appareil fonctionne, mais pas parfaitement, vérifiez que :

L'appareil n'est pas surchargé.

Le thermostat est réglé sur une température appropriée.

Les portes se ferment correctement.

Le système de refroidissement à l'arrière de l'appareil est propre et exempt de poussière, et ne touche pas le mur derrière.

La ventilation est suffisante sur les parois latérales et arrière.

Si l'appareil est bruyant, vérifiez que :

L'appareil est à niveau et stable.

Les parois latérales et arrière sont dégagées et rien ne repose sur l'appareil.



Remarque

Le gaz réfrigérant du réfrigérateur peut émettre un léger bruit de bulles ou de gargouillis, même lorsque le compresseur ne fonctionne pas.

Si l'appareil émet des signaux sonores, vérifiez que :

Les portes sont fermées. Une alarme se déclenche 60 secondes après l'ouverture d'une porte.

Si de la glace s'est formée sur la paroi arrière du réfrigérateur :

Il est normal que des gouttelettes de glace se forment sur la paroi arrière du réfrigérateur. Cela ne constitue pas un défaut de l'appareil.

S'assurer qu'aucun article à l'intérieur du réfrigérateur n'est en contact avec la paroi arrière. Vérifier que la porte de l'appareil oppose une certaine résistance lors de l'ouverture. Si elle s'ouvre au moindre contact, cela peut signifier que le joint de porte doit être remplacé.

Vérifier l'absence de pliures, de débris ou de dommages sur le joint de la porte. Le cas échéant, et si le problème ne peut-être résolu, contacter le service clientèle afin de remplacer le joint.

Cela peut être dû à un mauvais montage de la ou des portes de l'armoire. En cas de doute, demander à l'installateur de vérifier les portes de l'armoire.

Si une quantité excessive de glace s'est formée dans le congélateur :

Vérifier que la porte de l'appareil oppose une certaine résistance lors de l'ouverture. Si elle s'ouvre au moindre contact, cela peut signifier que le joint de porte doit être remplacé.

Vérifier l'absence de pliures, de débris ou de dommages sur le joint de la porte. Le cas échéant, et si le problème ne peut-être résolu, contacter le service clientèle afin de remplacer le joint.

Cela peut être dû à un mauvais montage du ou des panneaux de porte. En cas de doute, demander à l'installateur de vérifier le ou les panneaux de porte.

Si l'une ou plusieurs des unités LED de l'appareil ne fonctionnent pas :

Contactez le service clientèle pour organiser l'intervention d'un réparateur.

11. GARANTIE

11. Garantie

Couverture de la présente garantie limitée :

La garantie fournie par Bertazzoni Spa (« Bertazzoni ») à travers le présent document s'applique exclusivement à l'appareil Bertazzoni d'origine (« Produit ») vendu au client (« Acheteur ») par un distributeur, revendeur ou détaillant autorisé par Bertazzoni, acheté et installé aux États-Unis, dans le District de Columbia, ou au Canada, qui est toujours resté dans le pays d'achat d'origine (États-Unis, District de Columbia, ou Canada).

La couverture de la garantie prend effet à compter de la date d'achat au détail d'origine du Produit et a une durée de **deux (2) ans**.

La couverture de la garantie n'est pas cessible.

En cas de remplacement de pièces ou de l'ensemble du produit, le Produit ou les pièces de remplacement sont protégés pendant le reste de la période de garantie d'origine sur présentation du document prouvant l'achat au détail du produit d'origine. La période de garantie n'est pas prolongée en cas de remplacement.

Bertazzoni S.p.A. réparera ou remplacera tout composant en panne ou défectueux du fait des matériaux et/ou de la fabrication pendant 2 ans à compter de la date d'achat au détail d'origine et uniquement dans le cadre d'un usage domestique normal et non commercial.

Les réparations ou remplacements ne seront pas facturés et comprennent la main-d'œuvre au taux standard et les frais de transport. L'acheteur a la responsabilité de rendre le Produit raisonnablement accessible en cas d'assistance. Les réparations doivent être réalisées par un prestataire de services de maintenance autorisé par Bertazzoni, aux heures de travail normales. Les heures de main-d'œuvre supplémentaires ou majorées ne sont pas couvertes par la Garantie.



IMPORTANT

Conserver les documents attestant l'achat original afin de déterminer la période de garantie.

La responsabilité de Bertazzoni relative à toute demande ou réclamation, de quelque nature que ce soit, concernant les biens ou services fournis ne pourra en aucun cas dépasser la valeur des biens ou services, ou partie de ceux-ci, à l'origine de la réclamation.

Garantie esthétique de 30 jours

Au moment de la livraison, l'Acheteur doit inspecter le Produit.

Bertazzoni garantit que le Produit est dépourvu

de tout défaut de fabrication du fait des matériaux et/ou de la main-d'œuvre pendant une période de trente (30) jours à compter de la date d'achat au détail d'origine du Produit.

Cette couverture inclut :

- Imperfections de la peinture
- Éclats
- Défauts superficiels macroscopiques

La garantie esthétique NE COUVRE PAS :

> Les problèmes qui résultent d'un transport, d'une manipulation ou d'une installation incorrect(e) (par exemple les structures ou composants présentant des bosses, cassés, enfoncés ou déformés, ou les parties en verre brisées).

> Les légères différences de couleurs des éléments peints/émaillés.

> Les différences liées à l'éclairage naturel ou artificiel, l'emplacement ou d'autres facteurs similaires.

> Les taches, la corrosion et la décoloration causées par des substances externes ou des facteurs environnementaux.

> **Les frais liés à la main-d'œuvre, l'écran, le sol, les articles d'occasion, les appareils déballés, les appareils vendus « en l'état » et les articles de démonstration.**

Comment faire appliquer la garantie

Pour faire appliquer la garantie, l'Acheteur doit contacter l'Assistance Bertazzoni afin d'identifier les problèmes et de connaître les procédures à suivre.

Le numéro du modèle, le numéro de série et la date d'achat au détail d'origine lui seront demandés.



IMPORTANT

Conserver les documents attestant l'achat original afin de déterminer la période de garantie.

En cas d'installation aux États-Unis :

866 905 0010

<https://us.bertazzoni.com/more/support>

En cas d'installation au Canada :

800 561 7265

<https://ca.bertazzoni.com/more/support>

Exclusions de garantie - Ce que la garantie ne couvre pas

> Utilisation du Produit dans le cadre d'un usage commercial, non domestique.

> Utilisation du Produit différente de l'usage prévu.

> Réparations effectuées par un opérateur

autre qu'un prestataire de services autorisé par Bertazzoni.

➤ Dommages ou réparations réalisés afin de corriger une réparation effectuée par une société non autorisée ou par l'utilisation de composants non autorisés.

➤ Installation non conforme à la réglementation en vigueur en matière de prévention des incendies, d'électricité, de gaz, de plomberie et de construction.

➤ Défauts ou dommages dus à un entreposage inapproprié du Produit.

➤ Défauts, dommages ou pièces manquantes concernant des produits vendus sans leur emballage d'origine ou des produits de démonstration.

➤ Interventions ou réparations visant à rectifier la mauvaise installation du produit et/ou de ses accessoires.

➤ Remplacements de composants/interventions visant à raccorder, convertir ou réparer le câblage électrique et/ou la conduite d'alimentation en gaz afin d'utiliser correctement le produit.

➤ Remplacements de composants/interventions visant à fournir des instructions sur l'utilisation du Produit.

➤ Remplacements de composants/interventions visant à corriger des problèmes résultant d'une utilisation du produit autre qu'une utilisation normale et habituelle dans le cadre domestique.

➤ Remplacements de composants/interventions liés à l'usure comme les joints, les molettes, les supports de casserole, les clayettes, les paniers à couverts, les touches, les touches de l'écran, les surfaces vitrocéramiques rayées ou cassées.

➤ Remplacements de composants/interventions liés à l'absence d'entretien ou à un entretien inapproprié, par exemple : accumulation de résidus, taches, rayures, décoloration, corrosion.

➤ Remplacements de composants en verre et d'ampoules plus de 30 jours après la date d'achat au détail d'origine.

➤ Défauts et dommages résultant d'un accident, d'une modification, d'une mauvaise utilisation, d'un abus, d'une installation inappropriée.

➤ Défauts et dommages résultant du transport, de la logistique et de la manipulation du Produit. Le Produit doit être contrôlé au moment de la livraison. Tout problème lié à la manipulation, au transport ou à la logistique doit être signalé au vendeur/à la société de livraison après réception et inspection.

➤ Défauts et dommages résultant de facteurs externes échappant au contrôle de Bertazzoni SpA, incluant, sans s'y limiter, le vent, la pluie, le sable, les incendies, les inondations, les coulées de boue, le gel, une humidité excessive ou une exposition prolongée à l'humidité, les surtensions, la foudre, les défaillances structurales à proximité de l'appareil et toute autre catastrophe naturelle.

➤ Produits dont le numéro de série a été modifié, endommagé, altéré.

Bertazzoni ne pourra en aucun cas être tenue responsable de dommages aux biens environnants comme le mobilier, les meubles, le sol, les panneaux et autres structures à proximité du Produit.

Bertazzoni décline toute responsabilité relative au Produit si celui-ci est situé dans une région isolée ou dans une zone où des techniciens formés ne pourraient raisonnablement se rendre. L'Acheteur prendra à sa charge les frais d'expédition et de transport du Produit jusqu'au centre de maintenance autorisé le plus proche ou les frais de déplacement additionnels d'un technicien formé et certifié.

IL N'EXISTE AUCUNE AUTRE GARANTIE EXPLICITE QUE CELLES PRÉCITÉES, NI AUCUNE AUTRE GARANTIE EXPLICITE OU IMPLICITE, INCLUANT, MAIS SANS S'Y LIMITER, TOUTE GARANTIE IMPLICITE DE QUALITÉ MARCHANDE OU DE CONVENANCE À UNE FIN PARTICULIÈRE, APPLICABLE APRÈS LA PÉRIODE DE GARANTIE EXPLICITE SUSMENTIONNÉE, ET AUCUNE AUTRE GARANTIE EXPLICITE DONNÉE PAR UNE PERSONNE, UNE ENTREPRISE OU UNE SOCIÉTÉ CONCERNANT CE PRODUIT N'ENGAGE LA RESPONSABILITÉ DE BERTAZZONI. BERTAZZONI DÉCLINE TOUTE RESPONSABILITÉ EN CAS DE PERTE DE CHIFFRE D'AFFAIRES OU DE PROFITS, D'IMPOSSIBILITÉ DE RÉALISER DES ÉCONOMIES OU D'AUTRES BÉNÉFICES, ABSENCE DU TRAVAIL, REPAS, PERTE D'ALIMENTS OU DE BOISSONS, FRAIS DE DÉPLACEMENT OU D'HÉBERGEMENT, FRAIS DE LOCATION OU D'ACHAT D'ÉQUIPEMENTS, FRAIS DE RÉNOVATION/CONSTRUCTION DÉPASSANT LES DOMMAGES DIRECTS RÉSULTANT DE FAUTES EXCLUSIVEMENT IMPUTABLES À BERTAZZONI, OU TOUT AUTRE DOMMAGE SPÉCIAL, ACCIDENTEL OU INDIRECT CAUSÉ PAR L'UTILISATION, LA MAUVAISE UTILISATION OU L'INCAPACITÉ À UTILISER LE PRODUIT, SANS ÉGARD POUR LA NATURE JURIDIQUE DU DROIT REVENDIQUÉ, ET CELA MÊME SI BERTAZZONI A ÉTÉ INFORMÉE DE LA POSSIBILITÉ DE TELS DOMMAGES. AUCUN REMBOURSEMENT DEMANDÉ À BERTAZZONI NE POURRA ÊTRE SUPÉRIEUR AU PRIX D'ACHAT DU PRODUIT VENDU PAR BERTAZZONI AYANT CAUSÉ LES DOMMAGES EN QUESTION. SANS LIMITER LA PORTÉE DE CE QUI PRÉCÈDE, L'ACHETEUR ASSUME TOUS LES RISQUES ET LA RESPONSABILITÉ EN CAS DE PERTES, DE DOMMAGES OU DE BLESSURES À L'ACHETEUR OU À SES BIENS, AINSI QU'AUX TIERCES PERSONNES OU À LEURS BIENS, CAUSÉS PAR L'UTILISATION, LA MAUVAISE UTILISATION OU L'INCAPACITÉ À UTILISER LE PRODUIT VENDU PAR BERTAZZONI, NON DIRECTEMENT

11. GARANTIE

CAUSÉS PAR LA NÉGLIGENCE DE BERTAZZONI. LA PRÉSENTE GARANTIE LIMITÉE NE S'ÉTEND À PERSONNE D'AUTRE QUE L'ACHETEUR ORIGINAL DE CE PRODUIT, ELLE N'EST PAS CESSIBLE ET REPRÉSENTE VOTRE UNIQUE RECOURS.

Bertazzoni décline toute responsabilité en cas de dommages indirects ou consécutifs à l'utilisation du produit.

Certains états n'autorisent pas l'exclusion ou la limitation de responsabilité en cas de dommages indirects ou consécutifs ; par conséquent, la limitation ou l'exclusion susmentionnée pourrait ne pas s'appliquer à votre cas. La présente garantie vous confère des droits juridiques spécifiques. Vous pourriez également bénéficier d'autres droits, susceptibles de varier d'un État ou d'une province à l'autre.

Pour toute question concernant la présente Garantie limitée, veuillez contacter le Service clients Bertazzoni :

En cas d'installation aux États-Unis :

866 905 0010

<https://us.bertazzoni.com/more/support>

En cas d'installation au Canada :

800 561 7265

<https://ca.bertazzoni.com/more/support>

1. AVISOS IMPORTANTES	43
1.1 Avisos importantes.....	43
2. ACCESORIOS DEL ELECTRODOMÉSTICO	44
2.1 Accesorios del electrodoméstico.....	44
3. INSTALACIÓN Y CONDICIONES OPERATIVAS DEL ELECTRODOMÉSTICO	45
3.1 Instalación antes de usar el electrodoméstico por primera vez.....	45
3.2 Distancias mínimas de las fuentes de calor.....	45
3.3 Conexión a la red eléctrica.....	45
3.4 Desconexión de la red eléctrica.....	45
4. INSTRUCCIONES DE INSTALACIÓN	46
4.1 Instrucciones de instalación.....	46
4.2 Asegurar las juntas de las puertas correctamente.....	46
4.3 Instalación en el armario.....	49
4.4 Montaje de las puertas del frente.....	49
5. INSTRUCCIONES ANTES DE USAR EL ELECTRODOMÉSTICO	51
5.1 Instrucciones antes de usar el electrodoméstico.....	51
6. INSTRUCCIONES DE CONSERVACIÓN	52
6.1 Uso del frigorífico.....	52
6.2 Uso del congelador.....	52
6.3 Zona para alimentos frescos.....	53
6.4 Ajuste de la humedad del cajón para verduras.....	53
7. CONTROLES	54
7.1 Uso del frigorífico.....	54
8. DESESCARCHE	55
8.1 Desescarche.....	55
9. MANTENIMIENTO Y LIMPIEZA	56
9.1 Mantenimiento y limpieza.....	56
10. RESOLUCIÓN DE PROBLEMAS	57
10.1 Resolución de problemas.....	57
11. GARANTÍA	58

1.1 Avisos importantes

1. Este manual es genérico y puede hacer referencia a varios modelos de refrigeradores. El Fabricante no será responsable por los daños y perjuicios que se deriven de la inobservancia de las instrucciones del presente manual.
2. Conserve este manual para futuras consultas, o entrégueselo al siguiente usuario.
3. El electrodoméstico funciona adecuadamente a temperatura ambiente (consulte la clase climática del producto). No lo utilice en el sótano ni en casas de verano sin calefacción en otoño e invierno.
4. Al instalar, mover o izar el electrodoméstico, no sujete los tiradores de la puerta, no tire del condensador que se encuentra en la parte trasera del refrigerador y no toque la unidad del compresor.
5. Al transportar, mover o colocar el frigorífico-congelador, no lo incline más de 40 ° desde la posición vertical. Si esto ocurriera, debe esperar como mínimo 2 horas para encender el electrodoméstico tras volver a colocarlo en la posición correcta.
6. Tire del enchufe para sacarlo de la toma de alimentación antes de realizar cualquier operación de mantenimiento. No tire del cable, sujete el cuerpo del enchufe.
7. El crujido que puede oírse lo emite el electrodoméstico al expandirse y contraerse sus componentes debido a las variaciones en la temperatura.
8. Por motivos de seguridad, no repare el electrodoméstico por su cuenta. Las reparaciones realizadas por personas sin la cualificación necesaria pueden entrañar graves riesgos para el usuario del electrodoméstico.
9. Ventile la habitación donde se encuentra el electrodoméstico durante algunos minutos (el tamaño de la habitación para un producto que contiene isobutano/R600a debe ser de 4 m³ como mínimo) para no dañar el sistema de refrigeración.
10. No vuelva a congelar productos parcialmente descongelados.
11. No guarde bebidas en botellas y latas en la cámara del congelador, sobre todo si se trata de bebidas carbonatadas. Las latas y las botellas pueden explotar.
12. No ingiera productos congelados recién sacados del congelador (polos, cubitos, etc.), su baja temperatura puede provocar graves quemaduras por congelación.
13. Asegúrese de no dañar el sistema de refrigeración perforando o rompiendo las tuberías por donde circula el refrigerante en el evaporador. El refrigerante es inflamable. Si el refrigerante entra en contacto con los ojos, enjuáguelos con abundante agua limpia y solicite asistencia médica inmediata.
14. Este electrodoméstico ha sido diseñado para conservar alimentos, no lo utilice para otros fines.
15. Al realizar determinadas operaciones, como las de limpieza, mantenimiento o traslado, el electrodoméstico debe estar completamente desconectado de la toma de alimentación (tire del enchufe para sacarlo de la toma).
16. Este electrodoméstico puede ser utilizado por niños a partir de 8 años o por personas con discapacidad física, mental o sensorial, o que no tengan experiencia ni conocimientos suficientes, siempre y cuando se encuentren bajo la supervisión o hayan recibido formación sobre cómo utilizar el electrodoméstico de forma segura y conozcan los riesgos asociados al uso de este electrodoméstico. Asegúrese de que los niños no jueguen con el electrodoméstico. Los niños no pueden encargarse del mantenimiento y la limpieza del electrodoméstico, salvo que tengan más de 8 años y estén supervisados por una persona competente.
17. El Sistema Antibacteriano (cambia en función de modelo, su presencia se indica con la etiqueta que va dentro de la cámara del electrodoméstico) protege los alimentos y los productos que se encuentran dentro del refrigerador de las bacterias y el moho, que pueden generar olores desagradables y acortar el tiempo de conservación. El Sistema Antibacteriano conserva la frescura de los alimentos durante más tiempo. El material especial que se utiliza para fabricar el revestimiento del frigorífico impide la proliferación de bacterias, microorganismos y moho.

2. ACCESORIOS DEL ELECTRODOMÉSTICO

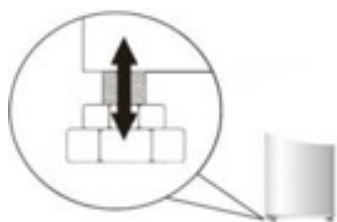
2.1 Accesorios del electrodoméstico



1. Panel de control
2. Panel de conductos de aire
3. Estantes de vidrio
4. Cajones para verduras
5. Zona para alimentos frescos
6. Cajones
7. Contenedores en puerta

3.1 Instalación antes de usar el electrodoméstico por primera vez

- > Asegúrese de que quede suficiente espacio alrededor del refrigerador para que pueda funcionar correctamente. Se necesita un espacio libre de 25/64" (10 mm) en la parte trasera del equipo para que el aire pueda circular para enfriar el compresor. Encima del refrigerador debe quedar un espacio de 1 3/16" (30 mm).
- > Asegúrese de colocar el electrodoméstico en una posición nivelada atornillando las 2 patas delanteras ajustables.



3.2 Distancias mínimas de las fuentes de calor

- > de los hornos eléctricos y de gas - 1 3/16" (30 mm),
- > de hornos de aceite o carbón - 11 13/16" (300 mm),
- > de los hornos empotrados - 1 31/32" (50 mm)

La instalación debe ser precisa y realizarse con arreglo a las especificaciones, sin margen para la interpretación.

3.3 Conexión a la red eléctrica

- > Antes de hacer la conexión, recomendamos poner la perilla de control de la temperatura en posición «OFF» («APAGADO») u otra posición que desconecte el electrodoméstico de la alimentación (véase la página con la descripción de los controles).
- > Este electrodoméstico se debe conectar a una toma de alimentación de CA 110-120 V 60 HZ. La toma deberá instalarse adecuadamente, equipada con un conducto de puesta a tierra y un fusible de 10 A.
- > La conexión a tierra del electrodoméstico es obligatoria por ley. El fabricante no será responsable de los daños, perjuicios o lesiones que se deriven

del incumplimiento de esta obligación.

- > No utilice adaptadores, regletas ni alargadores sin toma de tierra. Si fuera necesario usar un alargador, deberá llevar un anillo protector y un solo enchufe, además de disponer de un certificado de seguridad VDE/GS.
- > Si se utiliza un alargador (con anillo protector y certificado de seguridad), el enchufe se debe colocar a una distancia segura, lejos de fregaderos, y no debe instalarse en un lugar donde pueda mojarse con agua potable o residual.
- > Consulte la placa de datos que hay en la parte inferior de la pared interna del electrodoméstico para ver las especificaciones detalladas

3.4 Desconexión de la red eléctrica

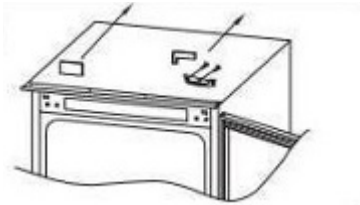
- > Asegúrese de poder desconectar fácilmente el electrodoméstico de la red eléctrica, ya sea tirando del enchufe hacia fuera para sacarlo de la caja o accionando el disyuntor.

4. INSTRUCCIONES DE INSTALACIÓN

4.1 Instrucciones de instalación

CAMBIO DEL SENTIDO DE APERTURA DE LA PUERTA DEL PRODUCTO

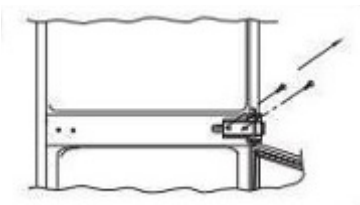
1. Quite la tapa de la bisagra superior derecha y la propia bisagra con un destornillador.



2. Quite la puerta superior.



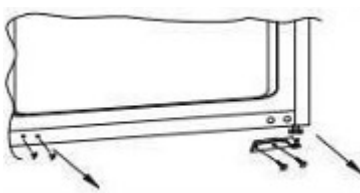
3. Quite la bisagra central y el pasador de conexión que hay debajo.



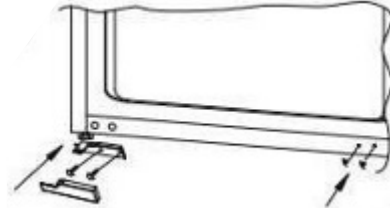
4. Quite la puerta inferior.



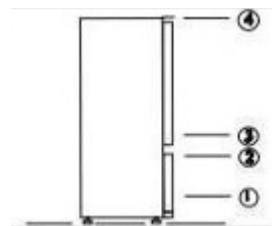
5. Quite la bisagra inferior y las clavijas de plástico de la izquierda y vuelva a instalarlas en el lado contrario.



6. Monte la bisagra superior derecha en la parte inferior izquierda y ponga la tapa.



7. Vuelva a montar las puertas y los herrajes de las bisagras de abajo a arriba, siguiendo el orden 1-4.



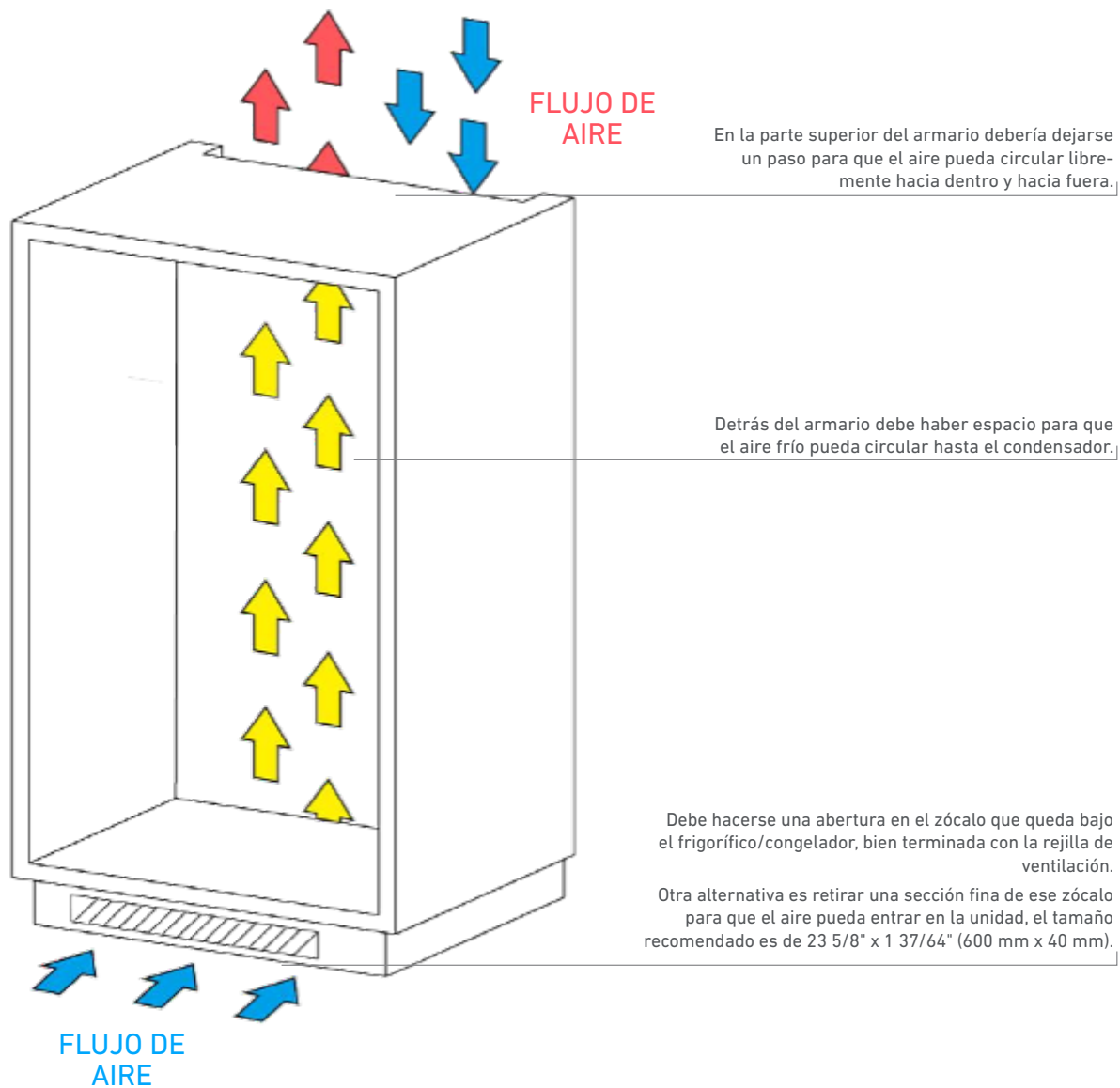
4.2 Asegurar las juntas de las puertas correctamente

Es normal que la junta se comprima después de invertir el sentido de apertura de la puerta. Con la puerta cerrada, utilice un secador de pelo para expandir la junta y llenar el hueco entre la puerta y el cuerpo del electrodoméstico. Procure no acercarse demasiado al electrodoméstico porque podría dañar la junta.

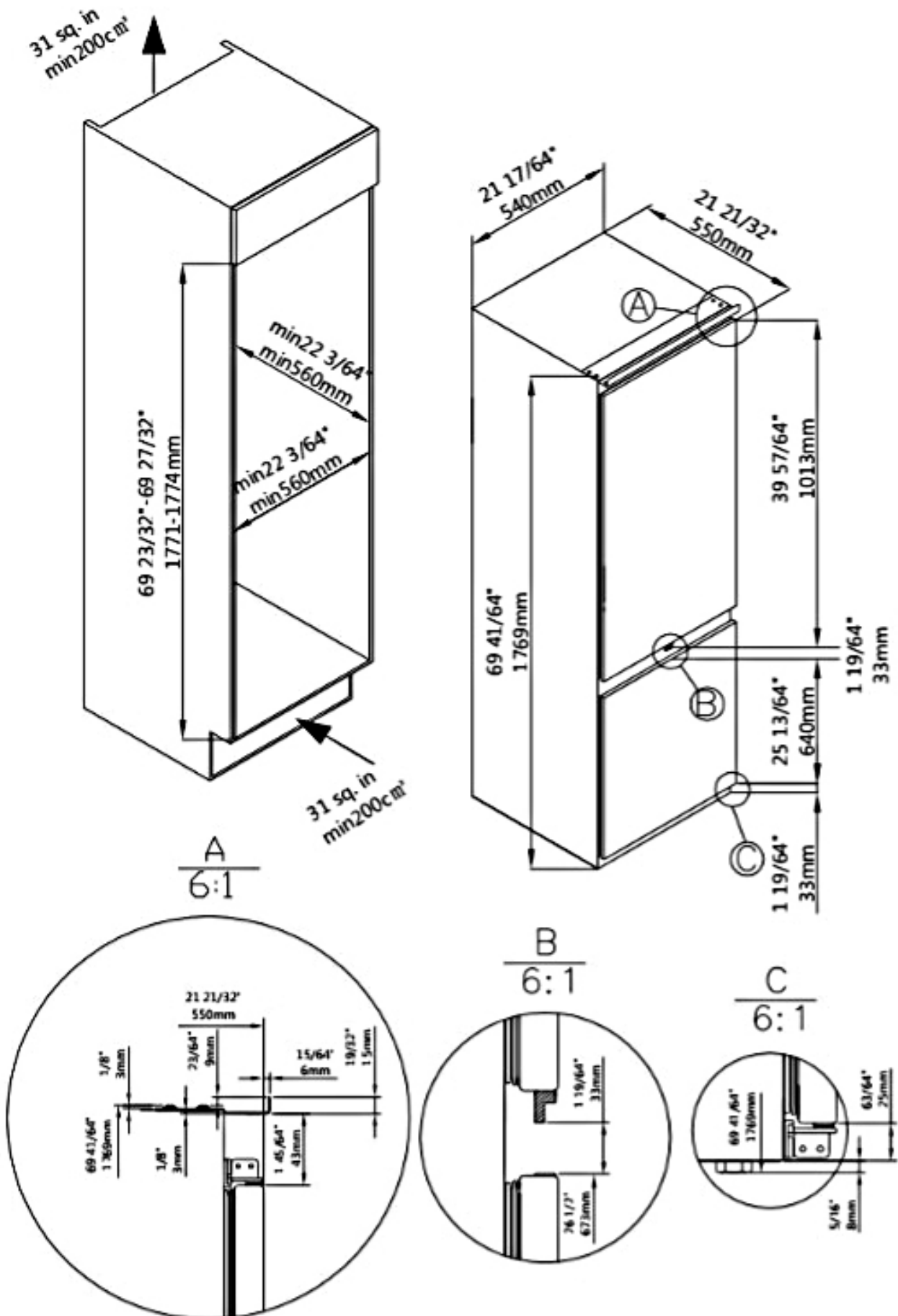
Una distancia de unas 4" (10 cm) debería ser suficiente. Cuando termine, deje que la junta y la puerta se enfríen antes de tocarlas. Al finalizar la operación, la junta debería quedarse en su sitio.

El principal factor que debemos tener en cuenta al instalar una unidad de refrigeración en una cocina amueblada es la ventilación. El calor que sale del compartimento de refrigeración debe poder dispersarse en el ambiente. Una ventilación incorrecta puede provocar un fallo prematuro del compresor, consumo energético excesivo, fallo total del sistema y puede anular la garantía que se ofrece con el electrodoméstico.

Si los productos se van a instalar en un hueco alto, se deben respetar los siguientes requisitos:



4. INSTRUCCIONES DE INSTALACIÓN



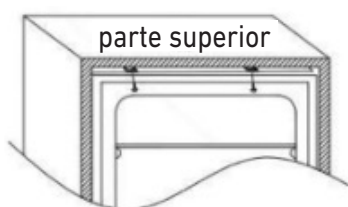
4.3 Instalación en el armario

Con ayuda de otra persona o de dos personas, mueva el electrodoméstico hasta el armario. Hay dos placas metálicas en la base del electrodoméstico. Instale los separadores blancos que se incluyen de serie en estas placas.

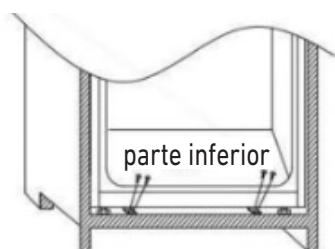
1. Meta el electrodoméstico en la columna, colocándolo en el lado contrario de las bisagras, y deje un hueco de $1/8''-13/64''$.



2. Después de asegurarse de que la puerta del electrodoméstico y la puerta de la columna coinciden, ponga las tapas de plástico de la bolsa de accesorios.



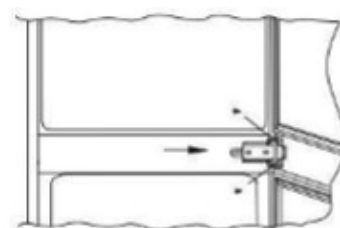
3. Atornille la parte inferior del electrodoméstico.



4. Ponga la junta en el electrodoméstico, corte la parte sobrante si fuera necesario. Coloque las tapas de plástico en los componentes de la parte inferior.



5. Utilice un destornillador en cruz para aflojar el pasador de conexión bajo la bisagra central derecha, y ajústelo para extenderlo a la pared derecha del armario.



4.4 Montaje de las puertas del frente

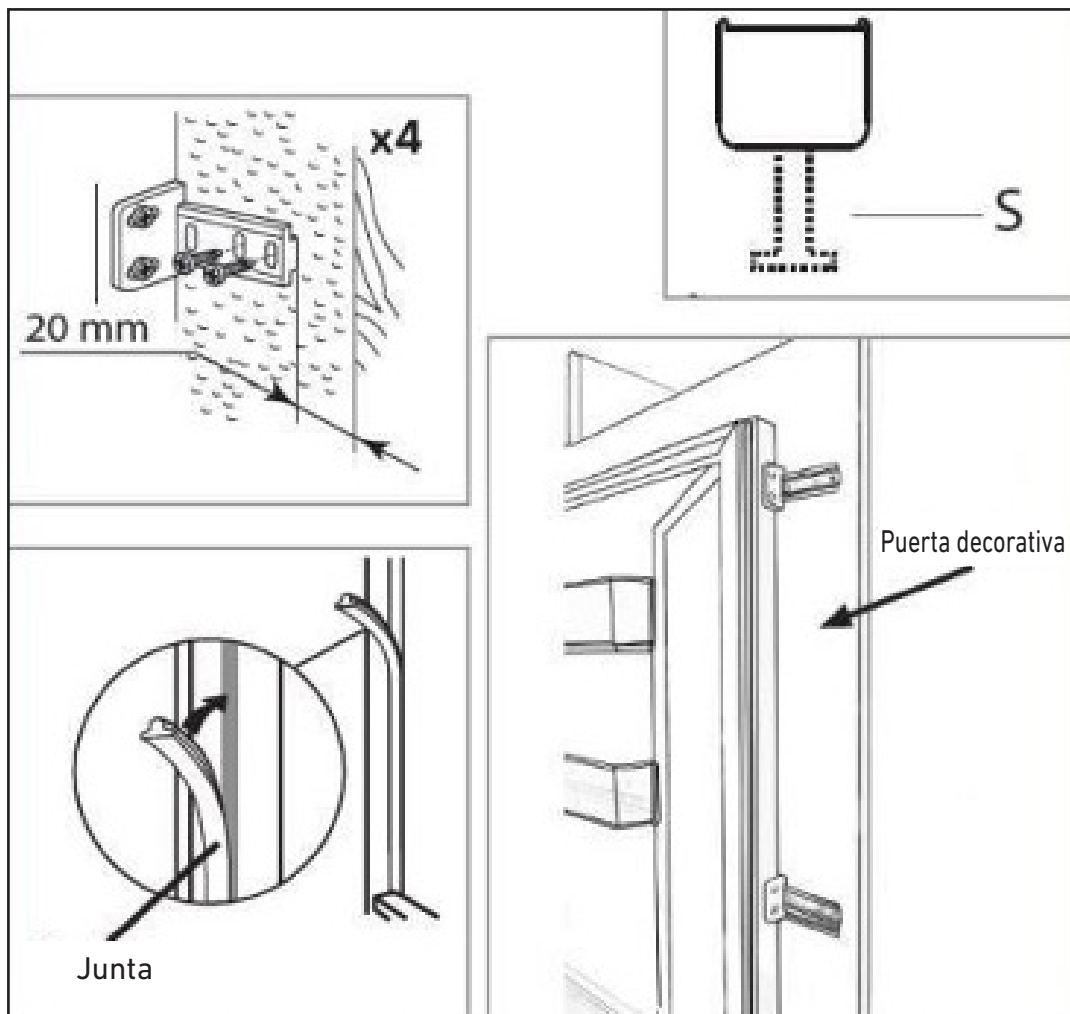
- > Compruebe que quede un hueco de entre $1/8''$ y $5/32''$ (3-4 mm) entre el lado sin bisagras del frigorífico y la pared del armario.
- > Localice la corredera en la escuadra y fíjela a la puerta del frente a una distancia de entre $51/64''$ y $7/8''$ (20 a 22 mm) del borde del frente, tal y como se muestra en la siguiente imagen, compruebe que la corredera esté bien centrada y en posición horizontal dentro de la escuadra. Apriete bien los herrajes de forma manual.
- > Rellene el hueco del lado sin bisagras con la tira de la guarnición/junta que se suministra.
- > El aspecto final de las correderas de la puerta debería asemejarse a las que se muestran en la siguiente imagen, donde se ven 2 correderas en su sitio.

Compruebe que las puertas del electrodoméstico abran, cierren y sellen bien.

Una vez completada esta operación, si le gusta cómo ha quedado empotrado el electrodoméstico en el armario, doble y corte los componentes de los separadores blancos con la marca «S», como se indica en el contorno punteado.

Deje el resto de la tapa del separador en su sitio, sobre las placas metálicas.

4. INSTRUCCIONES DE INSTALACIÓN



Importante

Una vez completada la instalación, compruebe que el electrodoméstico está bien sujeto al armario y que la puerta o puertas cierran y abren bien. Si las juntas de la puerta no oponen ninguna resistencia a la apertura, entonces es probable que el electrodoméstico y/o las puertas decorativas no se hayan instalado bien.

5.1 Instrucciones antes de usar el electrodoméstico

Antes de usar por primera vez el frigorífico, deberá dejar que se asiente durante al menos veinticuatro horas antes de encenderlo.

Recomendamos limpiar el interior del electrodoméstico antes de usarlo por primera vez con una solución de bicarbonato sódico y agua caliente y, después, séquelo muy bien por dentro. El frigorífico puede emitir un olor fuerte al usarlo por primera vez. Este olor desaparecerá a medida que se vaya enfriando.



NOTA:

El electrodoméstico se pondrá en marcha a 41 °F (5 °C) para el frigorífico y a 0 °F (-18 °C) para el congelador, y funcionará de forma continua hasta que alcance la temperatura correcta. Si el electrodoméstico está apagado, debe dejar pasar cinco minutos antes de volver a encenderlo para evitar daños innecesarios al compresor. Nunca guarde artículos inflamables o explosivos ni ácidos corrosivos o bases en el electrodoméstico. Este frigorífico refrigera los alimentos enfriando la parte trasera del interior de la cámara. Es normal que se acumule escarcha en esta superficie, que luego se evapora y se evacua a través de un pequeño desagüe en la parte inferior, por donde sale sin peligro. La presencia de escarcha en la parte trasera no es una avería del frigorífico.

6. INSTRUCCIONES DE CONSERVACIÓN

6.1 Uso del frigorífico

1. Nunca meta líquidos sin tapar en el refrigerador.
2. Nunca meta alimentos calientes en el refrigerador. Los alimentos calientes deberían dejarse enfriar a temperatura ambiente antes de introducirlos en el refrigerador.
3. No permita que nada toque la pared posterior del refrigerador, porque esto generaría escarcha y posibles problemas de condensación difíciles de resolver.
4. Asegúrese de limpiar los alimentos y eliminar el agua sobrante antes de meterlos en el frigorífico.
5. Envuelva o tape los alimentos antes de meterlos al frigorífico. Esto ayudará a evitar la pérdida de humedad, mantendrá los alimentos frescos y evitará olores desagradables.
6. Aquellos alimentos que se vayan a consumir pronto deben guardarse en la parte delantera del estante para evitar que se echen a perder al abrir la puerta demasiadas veces.
7. No abarrote el frigorífico. Debería haber espacio suficiente entre los alimentos para que el aire frío pueda circular.
8. Descongelar alimentos congelados en el compartimento refrigerador ayudará a mantener baja la temperatura y a ahorrar energía.
9. Nunca guarde carne cruda en los estantes sobre carnes cocinadas, fruta, hortalizas o verduras. Así evitará que los jugos de la carne cruda contaminen otros alimentos.

Nota

Los estantes del frigorífico se pueden mover en función de las necesidades de almacenaje en la sección del frigorífico. Para mover el estante, levante la parte trasera y tire de él hacia fuera. Para volver a colocarlo, deslice el estante hasta meterlo en la ranura y luego baje la parte trasera.

6.2 Uso del congelador

1. Los compartimentos del congelador se han diseñado solo para guardar alimentos congelados.
2. Nunca meta alimentos calientes o templados en el congelador, deje que se enfríen totalmente antes de meterlos en el congelador.

3. Siga las instrucciones en el embalaje/ envase de los alimentos para conservar alimentos congelados. Si no se facilita ninguna información, los alimentos no deberían almacenarse durante más de tres meses después de la fecha de compra.
4. Almacene los alimentos en paquetes pequeños (lo ideal es que sean de menos de 1 kg). Así se reduce el tiempo de congelación y se mejora la calidad de los alimentos al descongelarlos.
5. Envuelva los alimentos antes de meterlos al congelador. Para evitar que los envoltorios se peguen entre sí, compruebe que estén secos.
6. Etiquete los alimentos antes de congelarlos con información como el tipo de alimento y las fechas de almacenamiento y caducidad.
7. Una vez descongelados, los alimentos no se deben volver a congelar. Descongele solo la cantidad de alimentos que necesite, para no desperdiciar.
8. Las botellas o latas de bebidas no deberían conservarse en los compartimentos del congelador, porque podrían explotar.
9. La cantidad máxima de alimentos frescos que se puede congelar en un periodo de 24 horas son 5,7 lb (2,6 kg).
10. No intente congelar más cantidad de la que se indica como máximo.

La sección del frigorífico es para conservar alimentos a corto plazo. Aunque se pueden mantener bajas temperaturas, no se recomienda conservar alimentos durante periodos prolongados.

Como el aire frío circula por el interior del frigorífico, la temperatura puede variar en las diferentes secciones. Así pues, los alimentos deben conservarse en diferentes secciones según el tipo que sean.

1. Mantequilla, quesos, etc.
2. Alimentos en botes y botellas
3. Bebidas, por ejemplo, leche
4. Alimentos cocinados
5. Yogures, conservantes, etc.
6. Botellas de 75 cl o comidas preparadas, etc.
7. Carne y pescado frescos
8. Frutas y verduras



- > Los estantes del frigorífico se pueden mover en función de las necesidades de almacenaje en la sección del frigorífico.
- > Para mover el estante, levante la parte trasera y

tire de él hacia fuera.

> Para volver a colocarlo, deslice el estante hasta meterlo en la ranura y luego baje la parte trasera.

6.3 Zona para alimentos frescos

> La zona para alimentos frescos o «Fresh Zone» permite un control independiente de la temperatura.

> El rango de temperatura de la «Fresh Zone» va de 37 °F (3 °C) a 27 °F (-3 °C).

> La tecnología de conservación biológica a cero grados incluye un compartimento para alimentos frescos relativamente estable, independiente, con una temperatura próxima a los 37 °F (3 °C), pero superior a los 27 °F (-3 °C) del compartimento «Fresh Zone». La temperatura de la «Fresh Zone» garantiza que los alimentos no se congelen y se mantengan frescos durante mucho tiempo.

> Recomendaciones de uso: Recomendamos almacenar carne y pescado frescos entre 28 °F (-2 °C) y 32 °F (0 °C). Meta los ingredientes congelados en la «Fresh Zone» 4-5 horas antes de consumirlos, así podrá cortar o cocinar alimentos congelados sin esfuerzo y disfrutar de una experiencia culinaria más moderna, rápida y sana.

> Recomendamos almacenar verduras, hortalizas y frutas entre 32 °F (0 °C) y 37 °F (3 °C).



Nota

Si quiere guardar ingredientes que se secan fácilmente, como carne, en la «Fresh Zone», durante más de 4 horas, deberá usar un envoltorio de plástico para envolver los ingredientes y evitar que una pérdida de humedad excesiva afecte al sabor.

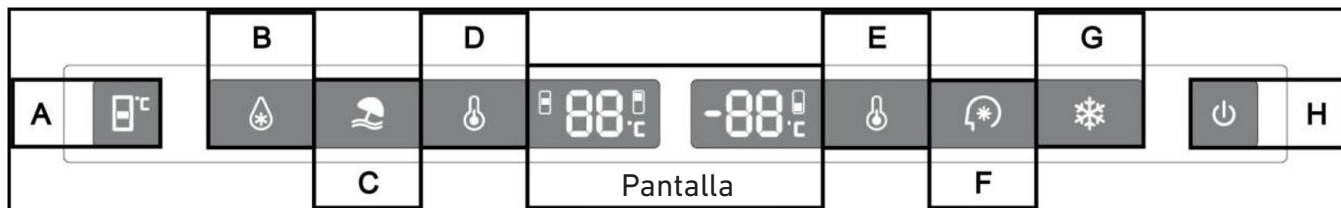
6.4 Ajuste de la humedad del cajón para verduras

> El cajón para verduras de este electrodoméstico tiene un control deslizante para ajustar el nivel de humedad. Las verduras y otros alimentos similares que tienden a marchitarse (por ejemplo, rúcula, hojas de espinaca, hierbas, como la albahaca, etc.) deberían conservarse en el cajón para verduras dejando el control deslizante de ajuste cerrado (todo a la izquierda y hacia arriba). Si mantenemos cerrado el control deslizante de ajuste, el vapor de agua se mantiene en el cajón y las verduras se conservan más crujientes y frescas durante más tiempo.

> Por el contrario, la fruta que tiende a pudrirse debe conservarse en el cajón para verduras con el control deslizante de ajuste de la humedad completamente abierto (todo a la derecha y hacia abajo). De esta forma, los gases que emiten ciertos alimentos y que aceleran el proceso de putrefacción pueden salir del cajón para verduras.

> El cajón está marcado arriba y abajo con símbolos de verdura y fruta para facilitar su identificación.

7. CONTROLES



7.1 Uso del frigorífico

1. La primera vez que encienda el electrodoméstico o que reestablezca la alimentación tras un corte eléctrico, el electrodoméstico se pondrá en marcha con la siguiente configuración: 41 °F (5 °C) para el frigorífico, 37 °F (3 °C) para la «Fresh Zone» y 0 °F (-18 °C) para el congelador. Si desea ajustar la temperatura o las funciones de forma manual, pulse cualquier botón para activar el panel de control, desde donde podrá hacer cualquier cambio.
2. Ajuste de la temperatura del frigorífico – pulse el botón D en la parte de la izquierda del panel de control para alcanzar diferentes temperaturas de 34 °F (1 °C) a 43 °F (6 °C).
3. Ajuste de la temperatura del congelador – pulse el botón E en la parte de la derecha del panel de control para alcanzar diferentes temperaturas de 5 °F (-15) °C a -9 °F (-22 °C).
4. Función de refrigeración rápida – Pulse el botón B, el botón se ilumina y se activa la función «Fast Cooling» (Enfriamiento Rápido), el frigorífico se pone en marcha automáticamente a una temperatura de 34 °F (1 °C) y esta función se desactiva después de 2,5 horas. La luz se apagará.
5. Función «Vacaciones» – Pulse el botón C, el botón se ilumina, la función «Vacaciones» se enciende y todo el electrodoméstico comienza a funcionar automáticamente con la siguiente configuración: el frigorífico a 63 °F (17 °C) y el congelador a 0 °F (-18 °C). La «Fresh Zone» funciona a 63 °F (17 °C).
6. Función inteligente «Smart» – Pulse el botón F en el panel de control, la función «Smart» se enciende y el botón se ilumina, el compartimento refrigerador funciona a 41 °F (5 °C) y el compartimento congelador funciona a 0 °F (-18 °C). La «Fresh Zone» funciona a 37 °F (3 °C).
7. Función de congelación rápida o «Fast Freezing» – Pulse el botón G, el botón se ilumina y el congelador empieza a funcionar con la función «Fast Freezing», y la temperatura se pone a -9 °F (-22 °C). Pasadas 6 horas, la función «Fast

Freezing» se desconecta automáticamente.

8. Pulse el botón H durante 3 segundos para desconectar el electrodoméstico y el botón se ilumina, la alimentación se corta. La luz interna deja de funcionar, el compresor deja de funcionar. Pulse el botón H durante 3 segundos para conectar el electrodoméstico, la luz de los símbolos y la alimentación vuelven a conectarse.
9. Pulse el botón A para cambiar temporalmente a la sección de la pantalla que corresponde a la «Fresh Zone», pulse de nuevo el botón A para ajustar la temperatura. El rango de temperatura de la «Fresh Zone» va de 27°F (-3°C) a 37°F (3°C).
10. En los modelos «No Frost», existe la función: «Forzar Desescarche» o «Forced Defrosting». Pulse los botones D/E + H durante 5 segundos para encender la función «Forced Defrosting» y limpiar el evaporador del congelador, la temperatura del congelador aparecerá en la pantalla. Pulse los botones D/E + H durante 3 segundos para apagar la función «Forced Defrosting», la temperatura del congelador aparecerá en la pantalla.
11. Visualización de fallos – Este electrodoméstico tiene una función de visualización de fallos y alarmas o «Fault Display & Alarm». Cuando los sensores fallan, existen una serie de alarmas que aparecen en la pantalla de la temperatura. El electrodoméstico sigue enfriando, pero debería avisar a un técnico de mantenimiento profesional para que revise el electrodoméstico.

F1 – Sensor del evaporador del frigorífico

F2 – Sensor de la «Fresh Zone»

F3 – Sensor del compartimento refrigerador

F4 – Sensor del compartimento congelador

F5 – Sensor del evaporador del congelador

2E – Fallo del ventilador/motor en el congelador

EC – Fallo de comunicación entre el panel principal y el panel de visualización



Nota

El panel principal se encuentra en el compartimento del compresor

8.1 Desescarche

El producto tiene un sistema «No Frost» que se ha diseñado para evitar que se acumulen grandes cantidades de hielo. En condiciones de uso normales, no sería necesario desescarchar regularmente el sistema congelador.

**Nota**

Si detecta una acumulación frecuente de grandes cantidades de hielo o charcos de agua en la sección del congelador, entonces es probable que la puerta no cierre bien. Esto podría deberse a un fallo en la junta de la puerta, a un montaje incorrecto o a que se haya sobrecargado. Para obtener más información, consulte la sección de resolución de problemas sobre el hielo.

9. MANTENIMIENTO Y LIMPIEZA

9.1 Mantenimiento y limpieza

Desconecte siempre el electrodoméstico de la toma de alimentación antes de realizar cualquier operación de limpieza o mantenimiento.

Limpie las secciones del refrigerador o del congelador con bicarbonato de sodio disuelto en agua tibia. No utilice productos abrasivos ni detergentes. Después del lavado, aclare y seque bien.

Limpie los estantes y los contenedores en puerta uno por uno a mano con una solución suave de jabón y agua. No los meta en el lavavajillas.

Si el electrodoméstico no se va a utilizar durante mucho tiempo, desenchufe y limpie el aparato. Las puertas deberían dejarse entreabiertas para evitar la formación de moho y olores desagradables.

10.1 Resolución de problemas

Si tiene algún problema con su electrodoméstico, debería consultar este apartado sobre resolución de problemas antes de contactar con Atención al Cliente.

Si el electrodoméstico no funciona, compruebe:

Que esté conectado a la corriente.

Que los fusibles de la vivienda estén intactos y que el fusible del enchufe no se haya fundido. Que el frigorífico no esté apagado.

Que la toma de corriente funcione bien. Para comprobar este extremo, enchufe otro electrodoméstico para ver si la toma tiene algún defecto.

Si el electrodoméstico funciona, pero no demasiado bien, compruebe:

Que el electrodoméstico no esté sobrecargado.

Que el termostato esté configurado a una temperatura adecuada.

Que las puertas cierren bien.

Que el sistema de refrigeración situado en la parte trasera del electrodoméstico esté limpio, no tenga polvo y no toque la pared trasera.

Que haya una ventilación suficiente en las paredes laterales y en la pared trasera.

Si el electrodoméstico hace ruido, compruebe:

Que el electrodoméstico esté nivelado y estable.

Que las paredes laterales y trasera estén despejadas, que no haya nada apoyado en el electrodoméstico.



Nota

El gas refrigerante en el refrigerador puede hacer un poco de ruido de borboteo o gorgoteo, incluso cuando el compresor no está en marcha.

Si el electrodoméstico emite un pitido, compruebe:

Que las puertas estén cerradas. 60 segundos después de que se abra una puerta sonará una alarma.

Si se ha formado hielo en la parte trasera del frigorífico:

Es normal que se formen algunas gotitas de hielo en la pared trasera del frigorífico. Esto no es un fallo del electrodoméstico.

Asegúrese de que ninguno de los artículos que haya dentro del frigorífico entre en contacto con la pared trasera.

Compruebe que la puerta del electrodoméstico oponga cierta resistencia al abrirla. Si se abre solo con el más leve toque significa que hay que cambiar la junta.

Inspeccione la junta de la puerta para ver si hay pliegues, restos o daños. Si detecta alguno de los anteriores y no puede resolver el problema por su cuenta, contacte con Atención al Cliente para que le sustituyan la junta.

Esto puede deberse a que la puerta o puertas decorativas no estén bien instaladas. Si no está seguro, pida a su instalador que revise las puertas decorativas.

Si se ha formado demasiado hielo en el congelador:

Compruebe que la puerta del electrodoméstico oponga cierta resistencia al abrirla. Si se abre solo con el más leve toque significa que hay que cambiar la junta.

Inspeccione la junta de la puerta para ver si hay pliegues, restos o daños. Si detecta alguno de los anteriores y no puede resolver el problema por su cuenta, contacte con Atención al Cliente para que le sustituyan la junta.

Esto puede deberse a que el panel o paneles de la puerta no se hayan instalado bien. Si no está seguro, pida a su instalador que revise el panel o paneles de la puerta.

Si una o más unidades LED del electrodoméstico no funciona:

Contacte con Atención al Cliente para concertar una visita del servicio técnico.

11. GARANTÍA

11. Garantía

Cobertura de esta garantía limitada:

La cobertura de la Garantía otorgada por Bertazzoni SpA («Bertazzoni») en esta declaración se aplica exclusivamente el aparato Bertazzoni original (el «Producto») vendido al consumidor (el «Comprador») por un vendedor/distribuidor/minorista Bertazzoni autorizado, comprado e instalado en Estados Unidos, Distrito de Columbia, o Canadá, que siempre haya permanecido dentro del país de compra original (Estados Unidos, Distrito de Columbia, o Canadá).

La cobertura de la garantía se activa en la fecha de la compra minorista original del Producto y tiene una duración de **dos (2)** años.

La cobertura de la garantía no es transmisible.

En caso de sustitución de piezas o del producto completo, el Producto (o las piezas) de sustitución asumirán la Garantía original restante activada con el documento de la compra minorista original. Esta Garantía no se ampliará con respecto a dicha sustitución.

Bertazzoni SpA reparará o sustituirá cualquier componente que falle o que se demuestre defectuoso debido a los materiales y/o la mano de obra dentro de un plazo de 2 años a partir de la fecha de la compra minorista original y en condiciones de uso residencial, no comercial.

La reparación o la sustitución serán gratuitos, incluida la mano de obra a tarifas estándar y los gastos de envío. El Comprador es responsable de proporcionar un acceso razonable al Producto para su mantenimiento. El servicio de reparación debe ser realizado por una Empresa de Mantenimiento Autorizada por Bertazzoni durante el horario laboral normal. El precio de las horas extra o a tarifas premium de la mano de obra no está cubierto por esta Garantía.



IMPORTANTE

Conserve el justificante de la compra original para demostrar el período de garantía.

La responsabilidad de Bertazzoni por cualquier reclamación de toda índole, con respecto a los bienes y/o servicios proporcionados, no superará en ningún caso el valor de los bienes o del servicio o de parte de los mismos que diera lugar a la reclamación.

Garantía estética de 30 días

El Comprador es quien debe inspeccionar el producto en el momento de la entrega. Bertazzoni garantiza que el Producto no presenta

defectos de fabricación en materiales y mano de obra durante un período de treinta (30) días desde la fecha de compra minorista original del Producto.

Esta cobertura incluye:

- Defectos en la pintura
- Desconchados
- Defectos macroscópicos en el acabado

La garantía estética NO cubre:

- > problemas derivados del transporte, manipulación y/o instalación incorrectos (abolladuras, estructuras o componentes rotos, doblados o deformados, componentes de vidrio destrozados).
- > ligeras variaciones de color en componentes pintados/esmaltados.
- > diferencias provocadas por la iluminación natural o artificial, la ubicación u otros factores análogos.
- > manchas/corrosión/decoración provocadas por sustancias externas y/o factores ambientales.
- > **costes de mano de obra, pantalla, suelo, artículos B-stock, aparatos sacados de la caja, aparatos vendidos en las condiciones en que se encuentren y unidades de demostración.**

Cómo recibir asistencia

Para recibir asistencia en garantía, el Comprador debe contactar con el Servicio de Asistencia de Bertazzoni para identificar el problema y los procedimientos de mantenimiento correctos. Le pedirán el número del modelo, número de serie y la fecha de compra minorista original.



IMPORTANTE

Conserve el justificante de la compra original para demostrar el período de garantía.

Si se encuentra en EE.UU.

866 905 0010

<https://us.bertazzoni.com/more/support>

Si se encuentra en CANADÁ

800 561 7265

<https://ca.bertazzoni.com/more/support>

Exclusiones de la garantía – Qué no cubre

- > Uso del Producto para aplicaciones no residenciales y/o comerciales.
- > Uso del Producto para cualquier otro fin distinto de su uso previsto.
- > Servicio de reparación efectuado por una empresa que no sea una agencia de asistencia autorizada de Bertazzoni.
- > Los daños o servicios de reparación para corregir el servicio proporcionado por una agencia

no autorizada o debido al uso de repuestos no autorizados.

> Instalación no conforme con los códigos, normativas o leyes locales/estatales/municipales/ del condado en materia de incendios, electricidad, gas, fontanería y construcción.

> Los defectos o daños debidos al almacenamiento inadecuado del Producto.

> Los defectos o daños o piezas ausentes en los productos vendidos fuera del embalaje original de fábrica o procedente de exposiciones.

> Las llamadas de asistencia o reparaciones para corregir la instalación incorrecta del producto y/o accesorios relacionados.

> Sustitución de piezas/llamadas de asistencia para conectar, convertir o de otra manera reparar el cableado eléctrico y/o la línea de gas necesarios para usar correctamente el Producto.

> Sustitución de piezas/llamadas de asistencia para dar indicaciones y enseñar a usar el Producto.

> Sustitución de piezas/llamadas de asistencia para corregir problemas por utilizar el producto de manera diferente de lo que es normal y habitual para el uso residencial.

> Sustitución de piezas/llamadas de asistencia por desgaste normal y habitual, como el que se produce en las juntas, perillas, soportes de las bandejas, repisas, cestas para cubertería, botones, pantallas táctiles, superficies de vidrio cerámico rayadas o rotas.

> Sustitución de piezas/llamadas de asistencia por ausencia/mantenimiento incorrecto, a título enunciativo: acumulación de suciedad, manchas, arañazos, decoloración, corrosión.

> Sustitución de los componentes de vidrio y las bombillas si la reclamación se hace en los siguientes 30 días de la fecha de compra minorista original.

> Los defectos y daños derivados de accidentes, alteración, mal uso, abuso, instalación incorrecta.

> Los defectos y los daños derivados del transporte, la logística y la manipulación del Producto. El Producto debe inspeccionarse en el momento de la entrega. Cualquier problema derivado de la manipulación, el transporte y la logística se debe notificar al distribuidor responsable de la venta/ la empresa de transporte tras la recepción e inspección del Producto.

> Los defectos y daños derivados de factores externos ajenos al control de Bertazzoni SpA, a título enunciativo, viento, lluvia, arena, incendios, inundaciones, corrimientos de tierra, temperaturas bajo cero, exceso de humedad o exposición prolongada a la humedad, subidas de tensión, fallos en la iluminación o estructurales alrededor del aparato y otros casos fortuitos.

> Los productos con el número de serie alterado/

dañado/manipulado.

Bertazzoni no será en ningún caso responsable de los daños a la propiedad circundante, incluido el mobiliario, los armarios, el pavimentos, los paneles y otras estructuras alrededor del Producto.

Bertazzoni no es responsable del Producto si este se encuentra instalado en una zona remota o en un lugar donde no se disponga de técnicos formados y certificados dentro de lo razonable. El Comprador asumirá los costes de transporte y entrega del Producto al Centro de Asistencia Autorizado más cercano o de las tarifas adicionales por desplazamiento de un técnico formado y certificado.

NO SE OTORGA NINGUNA OTRA GARANTÍA EXPLÍCITA MÁS ALLÁ DE LAS ENUNCIADAS Y DESCRITAS ARRIBA, TAMPOCO SE APLICARÁ NINGUNA OTRA GARANTÍA, YA FUERA EXPLÍCITA O IMPLÍCITA, A TÍTULO ENUNCIATIVO, CUALQUIER GARANTÍA IMPLÍCITA DE COMERCIABILIDAD O IDONEIDAD PARA UN FIN CONCRETO TRANSCURRIDOS LOS PLAZOS DE GARANTÍA EXPLÍCITOS ENUNCIADOS MÁS ARRIBA. NINGUNA OTRA GARANTÍA EXPLÍCITA OTORGADA POR NINGUNA PERSONA, EMPRESA O CORPORACIÓN CON RESPECTO A ESTE PRODUCTO SERÁ VINCULANTE PARA BERTAZZONI. BERTAZZONI NO SERÁ RESPONSABLE DE LA PÉRDIDA O LUCRO CESANTE, IMPOSIBILIDAD DE REALIZAR AHORROS U OTROS BENEFICIOS, TIEMPO FUERA DEL TRABAJO, COMIDAS, PÉRDIDA DE ALIMENTOS O BEBIDAS, GASTOS DE DESPLAZAMIENTO O ALOJAMIENTO, GASTOS DE ALQUILER O COMPRA DE ELECTRODOMÉSTICOS, GASTOS DE REFORMA/CONSTRUCCIÓN QUE EXCEDAN LOS DAÑOS DIRECTOS QUE SEAN IMPUTABLES DEFINITIVAMENTE Y CON CARÁCTER EXCLUSIVO A BERTAZZONI, NI DE NINGÚN OTRO DAÑO ESPECIAL, FORTUITO O CONSECUENCIAL PROVOCADO POR EL USO, USO INDEBIDO O INCAPACIDAD DE USAR ESTE PRODUCTO, CON INDEPENDENCIA DE LA DOCTRINA JURÍDICA EN LA QUE SE SUSTENTE LA RECLAMACIÓN E INCLUSO AUNQUE BERTAZZONI HUBIERA SIDO ADVERTIDA DE LA POSIBILIDAD DE QUE SE PRODUJERAN DICHOS DAÑOS. LA CUANTÍA DE CUALQUIER INDEMNIZACIÓN RECLAMADA A BERTAZZONI NO PODRÁ SUPERAR EN IMPORTE EL PRECIO DE COMPRA DEL PRODUCTO VENDIDO POR BERTAZZONI Y CAUSANTE DEL SUPUESTO DAÑO. SIN PERJUICIO DE LO EXPUESTO, EL COMPRADOR ASUME TODO EL RIESGO Y LA RESPONSABILIDAD POR LA PÉRDIDA, PERJUICIO O DAÑO PERSONAL AL COMPRADOR Y A LA PROPIEDAD DEL COMPRADOR Y A TERCEROS Y SUS BIENES A CONSECUENCIA DEL USO, USO INDEBIDO O INCAPACIDAD DE USAR ESTE PRODUCTO VENDIDO

11. GARANTÍA

POR BERTAZZONI Y QUE NO SEAN IMPUTABLES DE MANERA DIRECTA A LA NEGLIGENCIA DE BERTAZZONI. ESTA GARANTÍA LIMITADA NO SE AMPLIA A NINGUNA OTRA PERSONA DISTINTA DEL COMPRADOR ORIGINAL DE ESTE PRODUCTO, NO ES TRANSMISIBLE Y ESTIPULA SU ÚNICO RECURSO.

Bertazzoni no asume ninguna responsabilidad frente a daños fortuitos o consecuenciales.

Algunos Estados no permiten la exclusión o la limitación de la responsabilidad por daños incidentales o consecuentes, por lo que en tal caso particular no valdrán las limitaciones o exclusiones anteriores. Esta garantía le otorga derechos legales específicos y usted también podría tener otros derechos que varían de un Estado a otro y de una provincia a otra.

Si tiene cualquier pregunta sobre esta Garantía Limitada puede dirigir sus consultas a Atención al Cliente de Bertazzoni

Si se encuentra en EE.UU.

866 905 0010

<https://us.bertazzoni.com/more/support>

Si se encuentra en CANADÁ

800 561 7265

<https://ca.bertazzoni.com/more/support>

