



**Variable Speed  
Immersion Blender  
AX-VIB750**



**Variable Speed Immersion Blender**



*Stainless Steel Whisk & Shafts*

*Optional Carrying Case*



*Stainless Steel Bell*

*Integrated Ventilation System*

*Quick-change "bayonet" slot*

*Ergonomic handle*

*Optional Wall Mount*

## Standard Features

- Variable speed control settings with stabilizer
- Double insulated motor with efficient engine cooling system to prevent overheating
- Sturdy, lightweight ABS frame
- Ergonomic handle and rubber cover for a secure grip
- Powerful performance motor
- Push button safety system prevents unintentional motor activation
- Quick coupling system
- Totally removable rods allows for thorough cleaning which extends life
- 14" & 18" interchangeable stainless steel shafts with stainless steel bells
- Stainless steel whisk
- Attachments are dishwasher safe and easily disassembled for cleaning (tool included)

Axis is a registered trademark of MVP Group Corp.



3560 NW 56th Street  
Fort Lauderdale, FL, United States  
Telephone: 786.600.4687 / Toll Free: 844.218.8477  
Fax: 786.661.4100

5659 Royalmount Ave.  
Montreal, QC, Canada H4P 2P9  
Telephone: 514.737.9701 / Toll Free: 888.275.4538  
Fax: 514.342.3854 / Toll Free: 877.453.8832  
sales@mvpgroupcorp.com / mvpgroupcorp.com



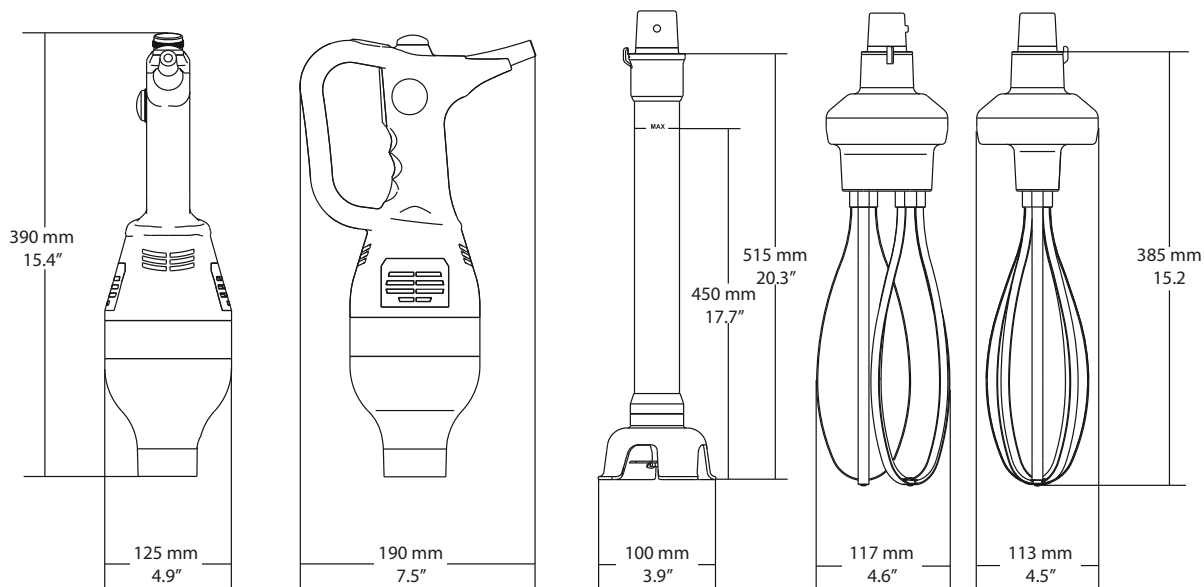


**Variable Speed  
Immersion Blender  
AX-VIB750**



Variable Speed Immersion Blender

AX-VIB750



Model	Watt / HP	Electrical	Whisk RPM	Blender RPM	Working Capacity	Product Dimensions	Shipping Dimensions	Unit Weight	Ship Weight
AX-VIB750	750 W 1.0 HP	120V/60Hz/1Ph	350 - 1,800	2,300 - 15,200	50 Gal 200 L	5" x 7.5" x 15.4" 125 x 190 x 390 mm	22.1" x 13" x 7.1" 560 x 330 x 180 mm	7 lbs 3.2 kg	13 lbs 5.9 kg

Due to continuing product development, to ensure the best possible performance, the specifications are subject to change without prior notice.

Axis is a registered trademark of MVP Group Corp.



3560 NW 56th Street  
Fort Lauderdale, FL, United States  
Telephone: 786.600.4687 / Toll Free: 844.218.8477  
Fax: 786.661.4100

5659 Royalmount Ave.  
Montreal, QC, Canada H4P 2P9  
Telephone: 514.737.9701 / Toll Free: 888.275.4538  
Fax: 514.342.3854 / Toll Free: 877.453.8832  
sales@mvpgroupcorp.com / mvpgroupcorp.com