



STAINLESS STEEL PANS

MODELS

KFM-GL-(40, 60, 80)-S

CURVED GLASS GELATO CASE

LOW TEMPERATURE • FORCED AIR REFRIGERATION • LIFT UP TEMPERED FRONT GLASS
12, 16, AND 22 PAN CONFIGURATIONS • CASES CAN BE MULTIPLEXED



Intertek



Intertek



AUTODESK[®]
REVIT[®]

SELF CONTAINED	Model	O.A. Length (inches)	Electrical 115 Volts				Defrost Amp	Weight lbs
			Compressor		LIGHTS Fans HTRS	Total Amps		
			Case Temp	F.L.A				
	KFM-GL-40-S	40.4	-4 / -7 °F	10.0	0.26	10.3	22.9	661
	KFM-GL-60-S	58.2	-4 / -7 °F	(2) 10.0	0.49	20.5	26.4	860
	KFM-GL-80-S	77.5	-4 / -7 °F	(2) 10.0	0.53	20.5	26.4	992

STANDARD FEATURES

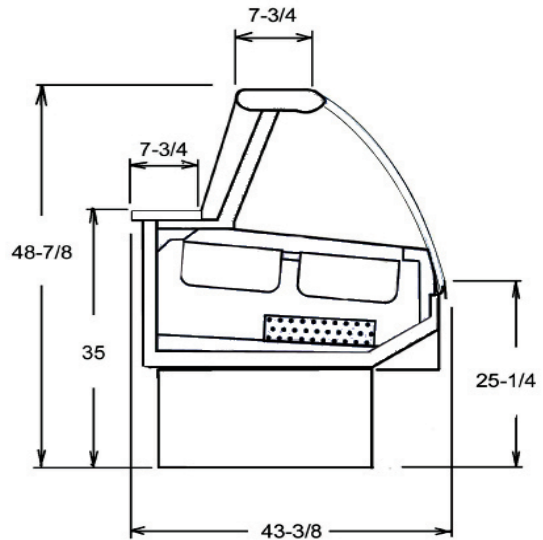
- Tempered side glass
- CFC free injected foam insulation
- Silver colored PVC coated steel front panel
- PVC coated steel gray interior
- Black steel kick plate
- All trim and glass supports-aluminum
- Stainless steel pans
- Lift up tempered front glass
- Thermopane end glass
- Stainless steel work bench
- Removable rear plexiglass sliding doors
- Temperature and defrost regulated by a digital controller
- Levelling feet

OPTIONAL FEATURES

- Stainless steel interior exterior
- Other colors available

PAN CONFIGURATIONS

- (10) Pans 14-1/8" long x 6-1/2" wide x 6" deep KFM-GL-40-S
- (16) Pans 14-1/8" long x 6-1/2" wide x 6" deep KFM-GL-60-S
- (22) Pans 14-1/8" long x 6-1/2" wide x 6" deep KFM-GL-80-S

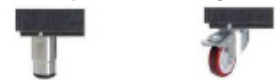


Standard Mounting



Levelling Feet

Optional Mounting



Adjustable Legs

Casters

NOTE

These cases are engineered to operate in locations not exceeding 75°F and 55% R.H. These cases are designed to operate using R404a refrigerant. Ventilation grills at front and back cannot be blocked.



Tel: 786.600.4687 / Toll Free: 844.218.8477

Fax: 786.661.4100



Tel: 514.737.9701 / Toll Free: 888.275.4538

Fax: 514.342.3854 / toll free: 877.453.8832

sales@mvpgroupcorp.com / mvpgroupcorp.com