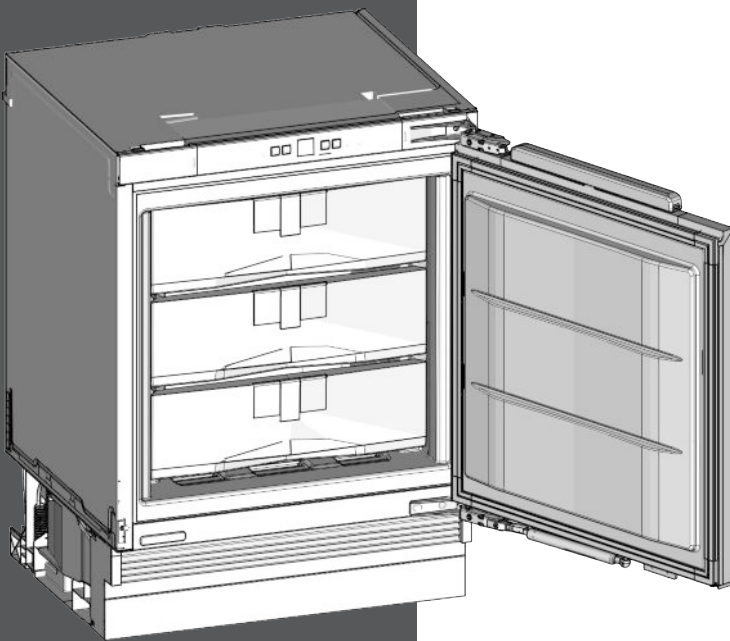


LIEBHERR

Use and Care Manual

Under-worktop freezer for
integrated use, door-on-door



UF 501
150618 7086666 - 00

The appliance at a glance

Contents

1	The appliance at a glance.....	2
1.1	Additional benefits.....	2
1.2	Overview of the appliance and accessories.....	3
1.3	Range of appliance use.....	3
1.4	Conformity.....	3
1.5	Product information.....	3
1.6	Energy saving.....	3
2	General safety information.....	4
3	Controls and displays.....	5
3.1	Operating and control elements.....	5
3.2	Temperature display.....	5
4	Start-up.....	5
4.1	Switch on the device.....	5
5	Operation.....	5
5.1	Temperature display unit.....	5
5.2	Child-proof lock.....	6
5.3	Door alarm.....	6
5.4	Temperature alarm.....	6
5.5	Sabbath Mode.....	6
5.6	Freezing food.....	7
5.7	Defrosting food.....	7
5.8	Setting the temperature.....	7
5.9	SuperFrost.....	8
5.10	Drawers.....	8
5.11	Shelves.....	8
5.12	VarioSpace.....	8
5.13	Info system.....	9
5.14	Ice cube tray.....	9
5.15	Refrigerant accumulators.....	9
6	Maintenance.....	9
6.1	Defrosting with NoFrost.....	9
6.2	Cleaning the appliance.....	9
6.3	Customer service.....	10
6.4	Appliance Information.....	10
7	Troubleshooting.....	10
8	Putting appliance out of service.....	13
8.1	Switch off device.....	13
8.2	Decommissioning	13
9	Disposing of the appliance.....	13
10	Liebherr Warranty Plan.....	13

Congratulations on the purchase of your new appliance. With this purchase, you have chosen all the advantages of the latest refrigeration technology, guaranteeing you a high-quality appliance with a long life span and high operating safety.

The equipment of your appliance gives you the highest level of day-to-day ease of operation.

Together we are making an active contribution to the conservation of our environment by purchasing this appliance which is manufactured in an environmentally friendly process with the use of recyclable materials.

We hope you enjoy your new appliance.

The manufacturer is constantly working to improve all models. Therefore please understand that we reserve the right to make design, equipment and technical modifications.

To get to know all the benefits of your new appliance, please read the information contained in these instructions carefully.

The instructions apply to several models, so there may be differences. Sections which only apply to certain appliances are indicated with an asterisk (*).

Instructions for action are marked with a ►, the results of action are marked with a ▷.

1 The appliance at a glance

1.1 Additional benefits

- Temperature can be controlled in the appliance independent of ambient conditions according to its climate rating - Temperature can be displayed as °C or °F
- The appliance defrosts automatically - no need to spend time defrosting
- Safety glass storage shelves
- Large freezing capacity
- Shelves can be removed to make space for large items.
- Quick-freeze feature for fresh food (SuperFrost)
- Frozen food temperature indicator
- Power failure/"frost-control" display
- All freezer drawers suitable for quick-freeze
- Door-on-door system for easy kitchen cabinet installation
- Soft stop mechanisms
- This appliance has a Sabbath Mode function, which makes it possible to use the appliance on religious holidays. Further information can be found on the Star-K website www.star-k.org.

1.2 Overview of the appliance and accessories

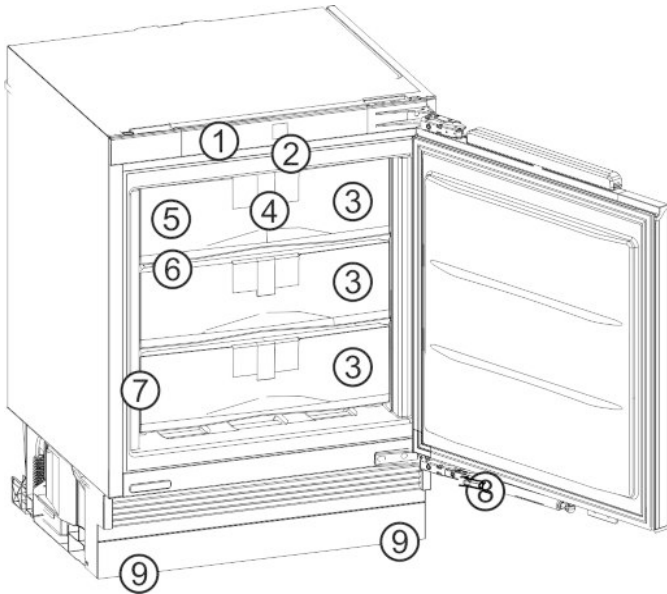


Fig. 1

- | | |
|------------------------------------|---------------------|
| (1) Operating and control elements | (6) VariaSpace |
| (2) Lighting | (7) Rating plate |
| (3) Drawers | (8) Closing damper |
| (4) Info system | (9) Adjustable feet |
| (5) Refrigerant accumulators | |

Note

- Shelves, drawers, and baskets are arranged for optimal energy efficiency in the factory configuration.

1.3 Range of appliance use

Normal use

The appliance is only suitable for cooling food for residential or other similar environments. This includes the following types of uses

- in staff kitchens, bed and breakfasts,
- by guests in country homes, hotels, motels and other types of accommodations,
- for catering and similar wholesale services.

The appliance is suitable for integrated under worktop use

All other types of uses are not permitted.

Foreseeable misuse

The following uses are specifically prohibited:

- Storage and cooling of medication, blood plasma, laboratory preparations or similar substances and products in accordance with the CMDCAS and FDA 510(k)

- Use outdoors.
- Use in moist areas exposed to the rain.
- Use in areas at risk of explosion

Incorrect appliance use can cause damage to the stored products or cause them to spoil.

Climate ratings

The appliance is set to operate within specific ambient temperature limits according to its climate rating. The climate rating for your appliance is printed on the rating plate

Note

- To guarantee trouble-free operation, comply with the indicated ambient temperatures.

Climate rating	for ambient temperatures from
SN	50 °F (10 °C) to 90 °F (32 °C)
N	61 °F (16 °C) to 90 °F (32 °C)
ST	61 °F (16 °C) to 101 °F (38 °C)
T	61 °F (16 °C) to 110 °F (43 °C)

The appliance will function properly in ambient temperatures down to 41 °F (5 °C).

1.4 Conformity

The refrigerant circuit has been tested for leaks. When installed, the appliance complies with the relevant safety regulations and the safety standards CAN/CSA-C22.2 No. 60335-1-11, 60335-2-24-06 and UL 60335-1, UL 60335-2-24.

1.5 Product information

Product information is enclosed with the device in accordance with (EU) Ordinance 2017/1369. The complete product information sheet is available on the Liebherr website in the download area.

1.6 Energy saving

- Always ensure good ventilation. Do not obstruct ventilation openings or grilles.
- Never block air slits in the fan.
- Do not install the appliance in direct sunlight or next to an oven, heater, or similar heat source.
- Energy consumption depends on installation conditions such as the ambient temperature (see 1.3). If the ambient temperature differs from the standard temperature of 25 °C, energy consumption can change.
- Avoid opening the appliance door for any longer than necessary
- The lower the temperature is set the higher the energy consumption.
- Store food logically (see The appliance at a glance).

General safety information

- All food stored in the appliance should be well wrapped and covered. This prevents frost buildup.
- Only take food out for as long as necessary so that it does not get too warm.
- Insertion of warm foods: first let the food cool down to room temperature.
- The refrigerant contained within the appliance, R 600a, is environmentally friendly, but flammable. Leaking refrigerant can ignite.
 - Do not damage the pipes of the refrigerant circuit.
 - Do not handle naked flames or ignition sources inside the appliance.
 - Do not use electrical devices inside the appliance (e.g. steam cleaners, heaters, ice cream makers, etc.).
 - If refrigerant leaks: Remove naked flames or ignition sources located near the area of the leak. Air the room well. Contact the customer service department.

2 General safety information

Read and follow these instructions. They contain safety advice which is important for safe and problem-free installation and operation. Always read and follow the safety advice.

Dangers for the user:

- This appliance can be operated by children as well as by persons with reduced physical, sensory or mental capabilities or lack of experience and knowledge if they are supervised or have been instructed in the safe use of the appliance and understand the associated risks. Children must not play with the appliance. Cleaning and user maintenance must not be performed by children unless they are supervised. Children between the ages of 3 and 8 may load and unload the appliance. Children under the age of 3 must be kept away from the appliance if they are not constantly supervised.
- When disconnecting the appliance from the outlet, always take hold of the plug. Do not pull on the cable.
- Disconnect the power plug or switch off the power if a fault occurs.
- Do not damage the mains power line. Do not operate the appliance from a defective mains power line.
- Repairs, work on the appliance and replacement of the mains cable should only be carried out by the customer service department or other specifically trained specialist engineers.
- Only install, connect and dispose of the appliance in accordance with the instructions.
- Only operate the appliance after it has been installed.
- Please keep the instructions and pass them on to any future owner.
- Special-purpose lamps inside the appliance are intended to illuminate its interior compartments and are unsuitable for room illumination.
- Do not operate the appliance near explosive gases.
- Do not store or use gasoline or other flammable vapors and liquids in the vicinity of this appliance.
- Do not store explosive materials or spray cans with flammable propellants, such as e.g. butane, propane, pentane, etc. in the appliance. You can recognize such spray cans by the printed contents or a flame symbol. Any leaking gasses can be ignited by electrical components.
- Alcoholic beverages or other containers holding alcohol must always be tightly sealed for storage purposes. Any leaking alcohol can be ignited by electrical components

Risk of fire:

Tipover hazard:

- Do not stand or climb on the base, drawers, doors, etc. This applies in particular to children.

Risk of food poisoning:

- Do not consume food that has passed its best before date.

Danger of frostbite, feelings of numbness and pain:

- Avoid continued skin contact with the cold surfaces or chilled/frozen food or adopt protective measures, e. g. use gloves. Do not consume ice cream (especially sherbets) and ice cubes immediately when they are too cold.

Risk of injury and damage:

- Hot steam may lead to injuries. Do not use any electrical heating or steam cleaning equipment, naked flames or defrosting sprays for defrosting
- Do not remove ice with sharp objects

Risk of crushing:

- Do not hold onto the hinge when opening and closing the door. Fingers may get caught.

California Proposition 65

- This product contains chemicals known to the state of California to cause cancer or reproductive harm.
- This product can expose you to chemicals including Diisononyl Phthalate (DINP) which is known to the State of California to cause cancer. For more information go to www.P65Warnings.ca.gov.
- This product can expose you to chemicals including Di-isodecyl Phthalate (DIDP) which is known to the State of California to cause birth defects or other reproductive harm. For more information go to www.P65Warnings.ca.gov.

Symbols on the device:



The symbol can be on the compressor. It refers to the oil in the compressor and refers to the following danger: Can be lethal if swallowed or inhaled. This notice only applies for recycling. There is no danger during normal operation.

Follow the specific instructions in the other sections:

	DANGER	indicates a hazardous situation, which if not avoided, will result in death or serious injury.
	WARNING	indicates a hazardous situation, which if not avoided, could result in death or serious injury.
	CAUTION	indicates a hazardous situation, which if not avoided, will result in minor or moderate injury.
	NOTICE	indicates a hazardous situation, which if not avoided, could result in damage to property.
	Note	indicates useful advice and tips.

3 Controls and displays

3.1 Operating and control elements

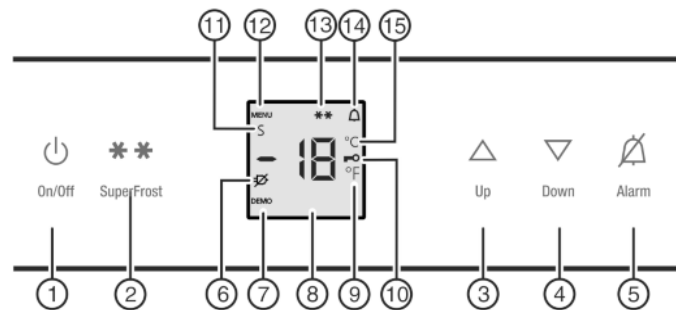


Fig. 2

- (1) On/Off button
- (2) SuperFrost button
- (3) Up button
- (4) Down button
- (5) Alarm button
- (6) Power failure symbol
- (7) DEMO symbol
- (8) Temperature display
- (9) Fahrenheit symbol
- (10) Child safety symbol
- (11) Sabbath mode symbol
- (12) Menu symbol
- (13) SuperFrost symbol
- (14) Alarm symbol
- (15) Celsius symbol

3.2 Temperature display

The following is displayed in normal operation:

- the highest freezer temperature
- the average cooling temperature

The temperature display flashes:

- the temperature setting has been changed
- the temperature has risen by several degrees
- **F0** to **F9**
- The power failure symbol flashes.

4 Start-up

4.1 Switch on the device

- ▶ Open the door.
- ▶ Press the On/Off button Fig. 2 (1).
- ▷ The temperature display lights up. The appliance is switched on.
- ▷ If "DEMO" appears on the display, 'demonstration mode' is activated. Contact Customer Service.



5 Operation

5.1 Temperature display unit

The temperature display can be changed from °F to °C.

Operation

5.1.1 To change the unit

- ▶ To activate setting mode: Press and hold the SuperFrost button *Fig. 2 (2)* for approx. 5 s.
 - ▷ The Menu symbol *Fig. 2 (12)* lights up.
 - ▷ 5 is displayed in the temperature display.
 - ▶ Using Up button *Fig. 2 (3)*/ Down button *Fig. 2 (4)* select °.
 - ▶ To confirm: Briefly press the SuperFrost button *Fig. 2 (2)*.
 - ▶ Using Up button *Fig. 2 (3)*/ Down button *Fig. 2 (4)* select °F or °C.
 - ▶ To confirm: Briefly press the SuperFrost button *Fig. 2 (2)*.
 - ▶ To exit setting mode: Press On/Off button *Fig. 2 (1)*.
- or-**
- ▶ Wait 5 minutes.
- ▷ The temperature is again displayed in the temperature display.



5.2 Child-proof lock

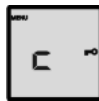
You can use the child-proof lock to lock the buttons. This means that children cannot accidentally switch off the appliance when playing.



5.2.1 Switching on the child-proof lock

If this function is to be switched on:

- ▶ To activate setting mode: Press and hold the SuperFrost button *Fig. 2 (2)* for approx. 5 seconds.
 - ▷ In the display, the Menu Symbol *Fig. 2 (12)* is displayed.
 - ▷ 5 flashes on the display.
 - ▶ Use the Set button () to select c.
 - ▶ Confirm briefly by pressing the SuperFrost button *Fig. 2 (2)*.
 - ▷ cl appears on the display.
 - ▶ Confirm briefly by pressing the SuperFrost button *Fig. 2 (2)*.
 - ▷ The Child Safety symbol *Fig. 2 (10)* lights up on the display.
 - ▷ c flashes on the display.
 - ▷ The Child Safety function is activated.
- To stop setting mode:
- ▶ Press the On/Off button *Fig. 2 (1)* briefly.
- or-**
- ▶ Wait for approx. 5 mins.
- ▷ The temperature is again displayed on the temperature display.



If the function is to be switched off:

- ▶ To activate setting mode: Press and hold the SuperFrost button *Fig. 2 (2)* for approx. 5 seconds.
- ▷ In the display, the Menu Symbol *Fig. 2 (12)* is displayed.
- ▷ c flashes on the display.
- ▶ Confirm briefly by pressing the SuperFrost button *Fig. 2 (2)*.
- ▷ c0 appears on the display.
- ▷ The Child Safety symbol goes out

- ▷ c flashes on the display.
 - ▷ The Child Safety function is deactivated.
- To stop setting mode:
- ▶ Press the On/Off button *Fig. 2 (1)* briefly.
- or-**
- ▶ Wait for 5 mins.
- ▷ The temperature is again displayed on the temperature display.

5.3 Door alarm

If the door is open for longer than 180 seconds, the acoustic warning sounds.

The acoustic warning stops automatically when the door is closed



5.3.1 Switching off the door alarm

The acoustic warning can be switched off when the door is open. The acoustic warning remains switched off as long as the door is open. When the door is closed, the alarm function is active again.

- ▶ Press Alarm button *Fig. 2 (5)*.
- ▷ The door alarm stops.

5.4 Temperature alarm

If the freezer temperature is not cold enough, the audible warning sounds.

At the same time, the Alarm symbol *Fig. 2 (14)* will flash.



The cause of a temperature being too high may be:

- Hot fresh food was placed in the appliance.

The audible warning automatically ceases, the Alarm symbol *Fig. 2 (14)* goes out, and the temperature display stops flashing when the temperature is cold enough again.

If the alarm status remains: (see Troubleshooting).

5.4.1 Switching off the temperature alarm

The acoustic warning can be switched off. When the temperature is cold enough again, the alarm function is active again.

- ▶ Press Alarm button *Fig. 2 (5)*.
- ▷ The acoustic warning ceases.

5.5 Sabbath Mode

This function meets the religious requirements on the Sabbath and Jewish festivals. When the appliance is in Sabbath mode some control electronic functions are switched off. After setting Sabbath mode you no longer need to worry about indicator lights, figures, symbols, displays, alarm messages and fans. The thawing cycle only operates at the specified time without taking refrigerator use into account. After a power cut the appliance automatically switches on again in Sabbath mode.

You can find a list of Star-K-certified appliances at www.star-k.org/appliances.



WARNING

Danger of food poisoning!

No record will be kept of a power failure during Sabbath Mode. Thus, during Sabbath mode, if a power failure occurs that you are not aware of, when the power comes back on, the unit will continue to be in Sabbath Mode but when Sabbath Mode is ended there will be no indication that a power failure occurred.

If a power failure occurs during Sabbath mode:

- ▶ Check the quality of the food. Do not consume spoiled food!

- All functions are blocked until Sabbath mode is switched off.
- If the unit is currently running in a mode such as Superfrost, Supercool or the Ventilation is enabled these functions will continue and finish their timed cycles independent of now being in Sabbath mode.
- No audible signals are emitted, and the temperature display does not indicate any warnings or settings (such as a temperature alarm or door alarm).
- Light does not operate.

5.5.1 Setting Sabbath mode

- ▶ To activate setting mode: Press and hold the SuperFrost button *Fig. 2 (2)* for approx. 5 s.

▷ 5 flashes on the display.

▷ The Menu symbol *Fig. 2 (12)* lights up.

- ▶ To access the Sabbath mode function: Briefly press the SuperFrost button *Fig. 2 (2)*.

When **51** is shown on the display:



- ▶ To turn on Sabbath mode, briefly press the SuperFrost button *Fig. 2 (2)*.

When **50** is shown on the display:



- ▶ To turn off Sabbath mode, briefly press the SuperFrost button *Fig. 2 (2)*.

- ▶ To deactivate setting mode: Press the On/Off button *Fig. 2 (1)*.

-or-

- ▶ Wait 5 min.

- ▷ The Sabbath Mode symbol *Fig. 2 (11)* appears on the temperature display as long as Sabbath Mode is active.
- ▷ Sabbath mode switches off automatically after 120 hours if it is not manually switched off beforehand.

5.6 Freezing food

Each drawer can hold up to 55.12 lbs (25 kg) of frozen food; each plate can hold up to 77.16 lbs (35 kg).

After the door is closed, a vacuum is created. After closing the door, wait about 1 minute, then the door is easier to open.



WARNING

Danger of fire

- ▶ Do not use electrical appliances inside the food storage compartments of the appliance, unless they are of the type recommended by the manufacturer.



CAUTION

There is a risk of injury from pieces of broken glass.

Bottles and cans containing drinks can split or crack when frozen. This applies in particular to carbonated drinks.

- ▶ Do not freeze bottles and cans containing drinks.

So that the food is rapidly frozen through to the core, do not exceed the following quantities per pack:

- fruit, vegetables up to 2.2 lb (1 kg)
- meat up to 5.51 lbs (2.5 kg)
- ▶ Pack the food in portions in freezer bags, reusable plastic, metal or aluminum containers.

5.7 Defrosting food

- in the fridge compartment
- in the microwave
- in the oven/fan oven
- at room temperature



WARNING

Danger of food poisoning!

- ▶ Do not re-freeze defrosted food.

- ▶ Only take out the amount of food that is required. Use defrosted food as quickly as possible.

5.8 Setting the temperature

The appliance is set as standard for normal operation.

The temperature is adjustable across a range of 7 °F (-14 °C) to -15 °F (-28 °C), and the advisable range is 0 °F (-18 °C).

- ▶ To set a higher temperature: Press the Up adjustment button *Fig. 2 (3)* until the temperature flashes in the display. Release button.
- ▶ To set a lower temperature: Press the Down adjustment button *Fig. 2 (4)* until the temperature flashes in the display. Release button.
- ▶ To change the temperature in 1 °F (1 °C) increments: briefly press the button.

-or-

- ▶ To change the temperature continuously: hold the button down.

▷ The value is displayed flashing during the setting operation.

▷ The actual temperature is displayed about 5 seconds after the last press of a button. The temperature slowly adjusts to the new setting.

Operation

5.9 SuperFrost

With this function you can rapidly freeze fresh food through to the core. The appliance works with maximum refrigerating performance. The sound of the refrigeration unit may be temporarily louder as a result. **

Depending on how much fresh food is to be frozen you must switch SuperFrost on in advance - for a small amount of food to be frozen, about 6 hours, for the maximum amount about 24 hours before putting the food in.

Package the food and place it inside across as wide an area as possible. Do not bring food that is to be frozen into contact with products that are already frozen to prevent these items from starting to thaw.

You do not need to switch SuperFrost on in the following cases:

- when placing frozen food in the freezer

5.9.1 Freezing with SuperFrost

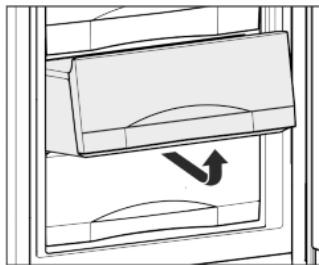
- ▶ Press and hold the SuperFrost button *Fig. 2 (2)* until the ** symbol is shown in the display. Release button.
- ▷ The SuperFrost symbol *Fig. 2 (13)* lights up.
- ▷ The freezing temperature drops and the appliance operates at its maximum refrigeration power rating. When a small amount of food is to be frozen.
- ▶ Wait approx. 6 hrs. When the maximum amount of food is to be frozen.
- ▶ Wait approx. 24 hrs.
- ▷ The SuperFrost symbol *Fig. 2 (13)* goes out when the freezing process is complete.
- ▷ The appliance returns to work in the energy-saving normal mode.

5.10 Drawers

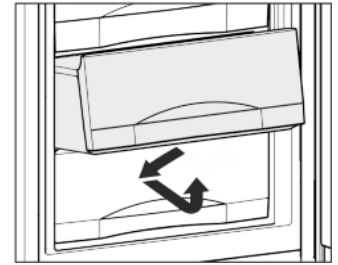
Note

Insufficient ventilation results in an increase in energy consumption and reduction of the refrigerating performance

- ▶ Never block the air slits in the fan on the rear wall.



- ▶ To store frozen food directly on the shelves: pull the drawer forward and lift it out.

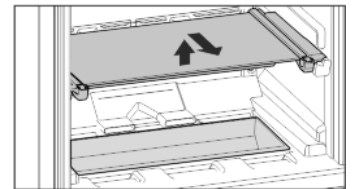


- ▶ In order to remove the drawers with a door opening angle of 90°:
- ▶ Press the drawers to the side slightly when pulling them out, and then remove them from above.
- ▶ The dish in the bottom recess can be used to store small items that are not needed very often.

5.11 Shelves

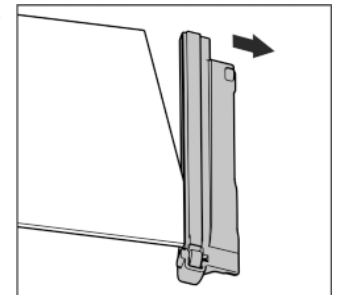
5.11.1 Moving shelves

- ▶ To remove shelf: lift it at the front and pull out forward.
- ▶ To reinsert shelf: simply slide it in as far as it will go.



5.11.2 Dismantling shelves

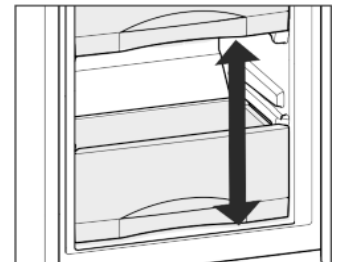
- ▶ The shelves can be dismantled for cleaning.



5.12 VarioSpace

In addition to the drawers, you can also take out the shelves. This gives you space for large food items such as poultry, meat, large joints of game and tall bakery items can be frozen and then presented whole.

- ▶ Each drawer can hold up to 55.12 lbs (25 kg) of frozen food; each plate can hold up to 77.16 lbs (35 kg).



5.13 Info system

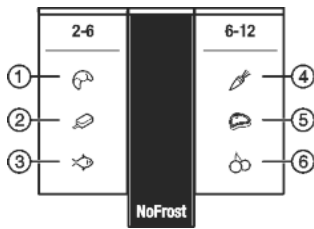


Fig. 3

- (1) Bread
- (2) Ice cream
- (3) Fish
- (4) Vegetables
- (5) Meat
- (6) Fruit

5.14 Ice cube tray

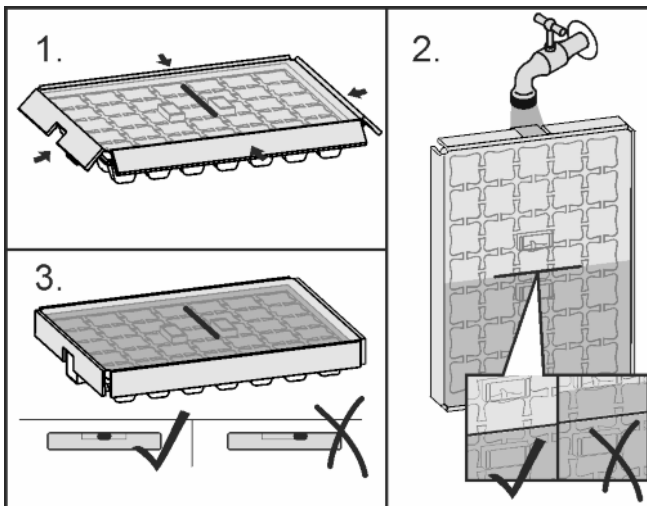


Fig. 4

When the water is frozen:

- ▶ Hold the ice cube tray briefly under warm water.
- ▶ Remove the lid.
- ▶ Gently turn the ends of the ice cube tray in opposite directions and release the cubes.

Dismantling the ice cube tray

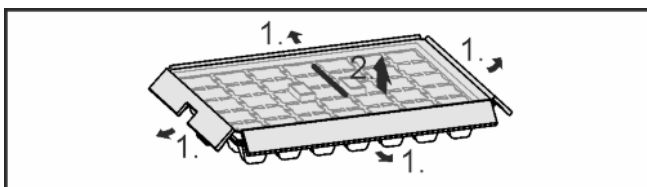


Fig. 5

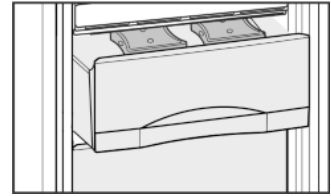
- ▶ You can dismantle the ice cube tray for cleaning.

5.15 Refrigerant accumulators

These refrigerant accumulators prevent the temperature from rising too fast when power failures occur.

5.15.1 Using refrigerant accumulators

- ▶ Place these compact refrigerant accumulators in the top freezer tray.
- ▶ Place the frozen refrigerant accumulators in the top front area of the freezer compartment on top of the freezer goods.



6 Maintenance

6.1 Defrosting with NoFrost

The NoFrost system defrosts the appliance automatically.

6.2 Cleaning the appliance



WARNING

Danger of electric shock.

- ▶ Unplug refrigerator or disconnect power.



WARNING

Danger of fire

- ▶ Do not damage the refrigerant circuit.



WARNING

Risk of injury or damage due to hot steam.

Hot steam can cause scalding/burns and damage to surfaces.

- ▶ Do not use steam cleaners.

NOTICE

Incorrect cleaning damages the appliance.

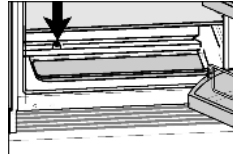
- ▶ Do not use concentrated cleaning agents.
- ▶ Do not use steel wool or sponges that scour or scratch.
- ▶ Do not use caustic or abrasive cleaning materials or those containing sand, chloride, or acids.
- ▶ Do not use chemical solvents.
- ▶ Do not damage or remove the rating plate on the inside of the appliance. It is vital for the customer service department.
- ▶ Do not pull off, kink or damage any cables or other components.
- ▶ Do not let cleaning water get into the drain gutter, the ventilation grille and electrical parts.
- ▶ Use soft cleaning cloths and a multi-purpose cleaning agent with a neutral pH value.
- ▶ Only use food-compatible cleaning and care agents inside the appliance.

- ▶ Empty the appliance.
- ▶ Disconnect the power plug.



Troubleshooting.

- ▶ Clean the **ventilation grilles** regularly.
- ▶ Clean the **plastic surfaces, outside and inside**, by hand using lukewarm water and a little dish washing liquid.



- ▶ Most of the **equipment parts** can be dismantled for cleaning: see the respective chapter.

After cleaning:

- ▶ Wipe the appliance and accessories dry.
- ▶ Connect the appliance and switch it on again.
- ▶ Switch on SuperFrost (see 5.9) .
When the temperature is sufficiently cold:
- ▶ put the food back in the appliance.

6.3 Customer service

First check whether you can remedy the fault yourself (see Troubleshooting). If this is not the case, please contact a qualified service provider.



WARNING

Risk of injury from repairs by non-professionals.

- ▶ Repairs and work on the appliance and the power supply cable not described in the Manual (see Maintenance) should only be carried out by a qualified service provider.

- ▶ Read the appliance designation *Fig. 6 (1)*, service no. *Fig. 6 (2)* and serial no. *Fig. 6 (3)* from the rating plate. The rating plate is located inside the appliance on the left-hand side.

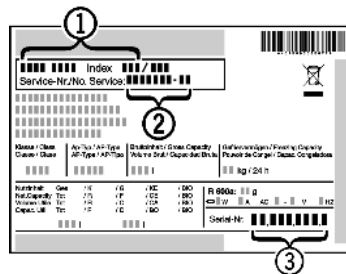


Fig. 6

- ▶ Notify a qualified service provider, specifying the fault, appliance designation *Fig. 6 (1)*, service no. *Fig. 6 (2)* and serial *Fig. 6 (3)* no.
 - ▷ This will help us to provide you with a faster and more accurate service.
- ▶ Keep the appliance closed until the Customer Service engineer arrives.
 - ▷ The food will stay cool longer.
- ▶ Disconnect the power plug (do not pull on the power cord to do this) or switch off the fuse.

6.4 Appliance Information

Make a note of this information when the appliance is installed:

Type Designation: _____

Service Number: _____

Appliance / Serial Number: _____

Date of purchase: _____

Where purchased: _____



7 Troubleshooting.

Your appliance is designed and manufactured for reliable operation and a long lifespan. If a malfunction nonetheless occurs during operation, please determine if the malfunction is due to an operating error. If a service call determines operator error, you will be charged for the costs incurred, even during the warranty period. You may be able to rectify the following problems yourself:


Problem	Possible Cause	Correction
The appliance does not work.	The appliance is not switched on.	▶ Switch on the appliance.
	The power plug is not properly inserted in the wall socket.	▶ Check the power plug.
	The fuse in the wall socket is not OK.	▶ Check the fuse.
	Power failure	▶ Keep the appliance closed. ▶ Protect the food: place dry ice on top of the food or use an alternate freezer, if the power failure persists for some time. ▶ Do not re-freeze defrosted food.

Problem	Possible Cause	Correction
The compressor runs for a long time.	When less refrigeration is required, the speed-controlled compressor switches to a low speed. Although the running time is increased as a result, energy is saved.	▶ This is normal in energy-saving models.
	SuperFrost function is activated.	▶ The compressor runs long to rapidly freeze food. This is normal.
An LED at the lower rear of the appliance (near the compressor) flashes regularly every 5 seconds*.	There is a fault.	▶ Contact the customer service department (see Maintenance).
Noises are too loud.	The different speed levels of speed-controlled* compressors can cause them to generate various noises during operation.	▶ These noises are normal.
A gurgling sound	This sound comes from the refrigerant flowing in the refrigeration circuit.	▶ The sound is normal.
A faint clicking sound	The sound always occurs when the refrigeration unit (the motor) automatically switches on or off.	▶ The sound is normal.
A hum. It is briefly a little louder when the refrigeration unit (the motor) switches on.	The refrigeration increases automatically when the SuperFrost function is activated, fresh food has just been placed in the appliance or the door has been left open for a while.	▶ The sound is normal.
	The ambient temperature is too high.	▶ Solution: (see 1.3)
A low hum	The sound occurs as a result of fan air flow.	▶ The sound is normal.
Vibration noise	The appliance is not standing firmly on the floor. As a result, objects and adjoining units are set into vibration by the running refrigeration unit.	▶ Check the installation and realign the appliance if necessary. ▶ Move bottles and containers apart.
Flow noise on the soft stop mechanism.	The sound is caused by the soft stop mechanism.	▶ The sound is normal.
The temperature display indicates: F0 to F9.	There is a fault.	▶ Contact the customer service department (see Maintenance).
The SuperFrost symbol Fig. 2 (13) flashes together with the temperature display.	There is a fault.	▶ Contact the customer service department (see Maintenance).

Troubleshooting.

Problem	Possible Cause	Correction
<p>The temperature display shows a flashing power failure symbol . The warmest temperature reached during the power failure is displayed in the temperature display.</p>	<p>The freezer temperature rose too high during the last hours or days due to power failure or power interruption. When the power interruption is over, the appliance will continue to operate at the last temperature setting.</p>	<ul style="list-style-type: none"> ▶ To delete the display of the warmest temperature: Press the Alarm button <i>Fig. 2 (5)</i>. ▶ Check the quality of the food. Do not consume spoiled food. Do not re-freeze defrosted food.
<p>DEMO lights up in the temperature display.</p>	<p>The demo mode is activated.</p>	<ul style="list-style-type: none"> ▶ Contact the customer service department (see Maintenance).
<p>The outside surfaces of the appliance are hot*.</p>	<p>The heat of the refrigerant circuit is used to prevent condensate from forming.</p>	<ul style="list-style-type: none"> ▶ This is normal.
<p>The temperature is not cold enough.</p>	<p>The door of the appliance is not closed properly.</p>	<ul style="list-style-type: none"> ▶ Close the appliance door.
	<p>Insufficient ventilation.</p>	<ul style="list-style-type: none"> ▶ Clear and clean the ventilation grille.
	<p>The ambient temperature is too high.</p>	<ul style="list-style-type: none"> ▶ Solution: (see 1.3)
	<p>The appliance was opened too frequently or for too long.</p>	<ul style="list-style-type: none"> ▶ Wait to see whether the required temperature resets itself by itself. If not, contact the customer service department (see Maintenance).
	<p>Too much fresh food was placed inside without SuperFrost.</p>	<ul style="list-style-type: none"> ▶ Solution: (see 5.9)
	<p>The temperature is incorrectly set.</p>	<ul style="list-style-type: none"> ▶ Set to a colder temperature and check after 24 hours
	<p>The appliance is too near to a heat source (stove, heater etc).</p>	<ul style="list-style-type: none"> ▶ Change location of appliance or the heat source.
<p>The interior light does not turn on.</p>	<p>The appliance is not switched on.</p>	<ul style="list-style-type: none"> ▶ Switch on the appliance.
	<p>The door was open for longer than 15 min.</p>	<p>The LED interior light is faulty or the cover is damaged:</p>
	<p>The LED interior light is faulty or the cover is damaged:</p>	<div style="border: 1px solid red; padding: 5px;"> <p> WARNING Risk of injury from electrical shock. Live parts are under the cover.</p> <ul style="list-style-type: none"> ▶ The LED interior light should only be replaced or repaired by the Customer Service department or by engineers trained to do so. </div>

Putting appliance out of service

Problem	Possible Cause	Correction
		 WARNING Risk of injury from LED lamp! The lighting intensity of the LED light complies with laser class 1/1M. If the cover is faulty: <ul style="list-style-type: none"> ▶ Do not gaze directly at this lighting unit with optical lenses while very close to the light source. This can cause damage to your eyes.
The door seal is defective or should be replaced for other reasons.	The door seal is interchangeable. You can replace it without the use of any special tools.	▶ Contact the customer service department (see Maintenance):
The appliance is iced up or condensation is building.	The door seal may have slipped out of its groove.	▶ Check the door seal is well placed in the groove.

8 Putting appliance out of service

8.1 Switch off device

- ▶ On/Off button *Fig. 2 (1)* press and hold down for about 2 seconds.
- ▷ A long beep sounds. The temperature display is dark. The appliance is switched off.
- ▷ If the appliance cannot be switched off, the Child Safety function is still activated (see 5.2).



8.2 Decommissioning

- ▶ Empty the appliance.
 - ▶ Switch off the appliance (see Putting appliance out of service).
 - ▶ Pull out the power plug.
 - ▶ Clean the appliance (see 6.2).
- ▶ Leave the door open to prevent bad smells.



9 Disposing of the appliance

Follow the local regulations for the disposal of appliances. Old appliances can be dangerous. Contact the local refuse collection department for additional information.



DANGER

There is a risk of suffocation. Children playing can shut themselves in and suffocate.

- ▶ Take the door(s) off.
- ▶ Remove the drawers.
- ▶ Leave the storage shelves in the appliance so that children cannot easily climb into the appliance.



WARNING

Danger of electric shock.

- ▶ Cut off the plug from the power cord and discard.
- ▶ Cut off the power cord from the discarded appliance. Dispose of separately from the appliance.

Ensure during and after disposal that the appliance isn't stored in the vicinity of gasoline or other flammable vapors and liquids.

When disposing of the appliance, ensure that the refrigeration circuit is not damaged to prevent uncontrolled escape of the refrigerant it contains (data on type plate) and oil.

10 Liebherr Warranty Plan

FULL TWO YEAR WARRANTY - For two years from the date of original purchase, your Liebherr warranty covers all parts and labor to repair or replace any part of the product which proves to be defective in materials or workmanship.

FULL FIVE YEAR WARRANTY - For five years from the date of original purchase, your Liebherr warranty covers

Liebherr Warranty Plan

all parts and labor to repair or replace any components that prove to be defective in materials or workmanship in the sealed system. The "Sealed System" means only the compressor, condenser, evaporator, drier and all connecting tubing.

LIMITED 6TH THROUGH 12TH YEAR WARRANTY -

From the 6th through 12th year from the date of original purchase, your Liebherr warranty covers all parts that prove to be defective in materials or workmanship in the Sealed System (parts only).

TERMS APPLICABLE TO EACH WARRANTY

All service provided by Liebherr under the warranty must be performed by authorized Liebherr service representatives, unless otherwise specified by Liebherr. Service will be provided in the home during normal business hours. This warranty applies only to products installed for normal residential use. Details regarding a non-residential warranty are available on request.

The warranty applies only to products installed in any one of the fifty states of the United States or the District of Columbia. The warranty does not cover any parts or labor to correct any defect caused by negligence, accident or improper use, maintenance, installation, service or repair, including but not limited to improper removal and reinstallation of the condensing unit.

THE WARRANTIES DESCRIBED ABOVE ARE MADE EXPRESSLY IN LIEU OF ANY OTHER WARRANTIES, EXPRESSED OR IMPLIED, INCLUDING ANY IMPLIED WARRANTY OF MERCHANTABILITY OR FITNESS FOR A PARTICULAR PURPOSE, AND OF ANY OTHER OBLIGATION OR LIABILITY ON THE PART OF LIEBHERR. IN NO EVENT SHALL LIEBHERR BE LIABLE FOR SPECIAL, INCIDENTAL OR CONSEQUENTIAL DAMAGES ARISING FROM THE BREACH OF THESE WARRANTIES OR ANY OTHER WARRANTIES, WHETHER EXPRESS, IMPLIED OR STATUTORY.

Some states do not allow the exclusion or limitation of incidental or consequential damages so the above limitation or exclusion may not apply to you. This warranty gives you specific legal rights and you may also have other legal rights which vary from state to state.

To receive parts and/or service and the name of the Liebherr authorized service representative nearest you, contact your Liebherr dealer or distributor or contact the Liebherr designated national service provider:

in the US: Service-appliances.us@liebherr.com or call 1-866-LIEBHER (1-866-543-2437).

in Canada: www.euro-parts.ca or call 1-888-LIEBHER (1-888-543-2437).

For Service in the U.S.:

Liebherr Service Center

Toll Free: 1-866-LIEBHER or 1-866-543-2437

Service-appliances.us@liebherr.com
PlusOne Solutions, Inc.
3501 Quadrangle Blvd, Suite 120
Orlando, FL 32817

For Service in Canada:

Liebherr Service Center

Toll Free: 1-888-LIEBHER or 1-888-543-2437

www.euro-parts.ca
EURO-PARTS CANADA
39822 Belgrave Road
Belgrave, Ontario, N0G 1E0
Phone: (519) 357-3320
Fax: (519) 357-1326



www.liebherr-appliances.com