



MODELS

KBD-FG-(40, 50, 60, 80)-S

KBD-FG-(40, 50, 60, 80)-R

KBD-FG-(40, 50, 60, 80)-D

FLAT GLASS BAKERY DELI CASE

CASE HOLDS 36°F TO 40°F • FORCED AIR REFRIGERATION
TEMPERED GLASS FRONT, SIDE AND REAR SLIDING DOORS
LED LIGHTING IN CANOPY AND UNDER ALL SHELVES
CASES CAN BE MULTIPLEXED



Intertek



Intertek



AUTODESK®
REVIT®

SELF CONTAINED	Model	O.A. Length (inches)	Volume FT ³	Electrical 115 Volts					NEMA 115 V Plug	Weight lbs		Crate Size (inches)		
				Front	Compressor		LIGHTS Fans HTRS	EVAP Pan		Total Amps	No Crate	With Crate	L"	W"
			H.P		F.L.A									
	KBD-FG-40-S	40.4	15.55	3/8	8.4	1.4	3.3	13.2	5-15P	397	543	43.4	34.5	62.3
	KBD-FG-50-S	52.2	20.49	1/2	9.6	1.6	3.3	14.6	5-20P	461	638	55.2	34.5	62.3
	KBD-FG-60-S	60	23.78	1/2	9.6	1.8	3.3	14.8	5-20P	505	703	63	34.5	62.3
	KBD-FG-80-S	77.5	31.1	1/2	9.6	2.65	3.3	15.6	5-20P	588	823	80.5	34.5	62.3

REMOTE	Model	O.A. Length (inches)	115 Volts Total Amps	B.T.U	Weight lbs	
					No Crate	With Crate
					KBD-FG-40-R	40.4
KBD-FG-50-R	52.2	1.19	3110	403	580	
KBD-FG-60-R	60	1.36	3268	447	645	
KBD-FG-80-R	77.5	2.2	3987	530	773	

NON-REFRIGERATED	Model	O.A. Length (inches)	115 Volts Total Amps	NEMA 115 V Plug	Weight lbs	
					No Crate	With Crate
					KBD-FG-40-D	40.4
KBD-FG-50-D	52.2	0.33	5-15P	381	549	
KBD-FG-60-D	60	0.41	5-15P	423	611	
KBD-FG-80-D	77.5	0.46	5-15P	530	773	

STANDARD FEATURES

- Silver colored PVC coated steel front panel
- CFC free injected foam insulation
- PVC coated steel gray interior
- Black steel kick plate
- Foamed polystyrene black end panels
- Removable rear tempered glass sliding door
- Height adjustable, tempered glass shelves can be tilted
- Temperature and defrost regulated by a digital controller
- Removable condensate evaporating pan for easy cleaning on self contained units
- Digital temperature display
- Anti-condensate system for front glass
- Cord and plug on self-contained and dry units
- Levelling feet

OPTIONAL FEATURES

- Stainless steel exterior and / or interior
- Other colors available
- Additional shelves
- Joining kit
- Partition or product dividers
- Scale stand with 120 V receptacle
- Condensate evaporating pan for remote cases
- Casters-add 4-3/8" to height
- Stainless steel legs are adjustable from 5-1/8" to 7-5/8"

WARRANTY

One year parts and labor with an additional four years on the compressor (part only)

Standard Mounting

Optional Mounting



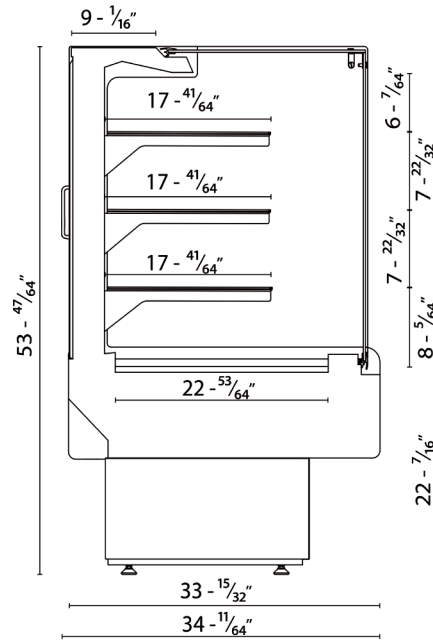
Levelling Feet



Adjustable Legs



Casters



NOTE

These cases are engineered to operate in locations not exceeding 75°F and 55% R.H. These cases are designed to operate using R404a refrigerant. Alternate refrigerants available by special order. O.A. length includes (2) ends at 1-1/2" each. Ventilation grills at front and back cannot be blocked. B.T.U's are calculated at 14°F (evaporator) and 90°F (ambient). Remote cases are provided with an expansion valve and a liquid solenoid for pump down cycle. On remote cases, if no floor drain is provided, a condensate evaporating pan must be ordered and 3.3 amps added to the amp load. Remote cases must be hard wired - no plugs.



Hydra - Kool is a registered trademark of MVP Group Corp. SPECIFICATIONS SUBJECT TO CHANGE WITHOUT NOTICE

Tel: 786.600.4687 / Toll Free: 844.218.8477
Fax: 786.661.4100

Tel: 514.737.9701 / Toll Free: 888.275.4538
Fax: 514.342.3854 / toll free: 877.453.8832

sales@mvpgroupcorp.com / mvpgroupcorp.com