



### Durable Design

- Free standing design for merchandising beverages, cheese, sandwiches and much more
- Simple plug-in installation
- Coated evaporator coil
- Solid uniformed body construction
- (3) Adjustable shelves
- Double tempered Glass
- Night curtain
- Automatic defrost system
- Exterior and interior panels: Powder coated black enamel painted steel

### Energy Efficiency

- Designed for mobility, reliability & efficiency in commercial kitchens
- Certified with ETL guaranteeing quality standards
- 4 2" Casters (2 with brakes)
- Holding temperature: 35°F - 40°F

### Superior Quality

- Digital temperature readout display with electronic thermostatic control
- LED interior lighting for total product display
- Efficient forced air refrigeration system
- R290 refrigerant

## Open Air Merchandiser KOM-36XBK / KOM-48XBK



MODEL NUMBER	CAPACITY (CUBIC FEET)	EXTERNAL DIMS (IN) W x D x H	VOLTAGE / FREQUENCY	AMPS	COMPRESSOR HP	REFRIGERANT	SHIPPING DIMENSIONS (IN) W x D x H	SHIP WEIGHT (LBS)
KOM-36XBK	14.0	36.1" x 31.2" x 57.4"	115V/60 Hz/1	14.5	1/2 HP	R-290	39" x 34.6" x 63"	337
KOM-48XBK	15.7	47.4" x 32" x 57.4"	115V/60 Hz/1	13	3/4 HP	R-290	50" x 34.6" x 63.4"	406



Nema 5-15P Nema 5-20P  
KOM-36XBK KOM-48XBK  
Dedicated Circuit

Project Name:	
Location:	
Item:	Qty:
Model:	

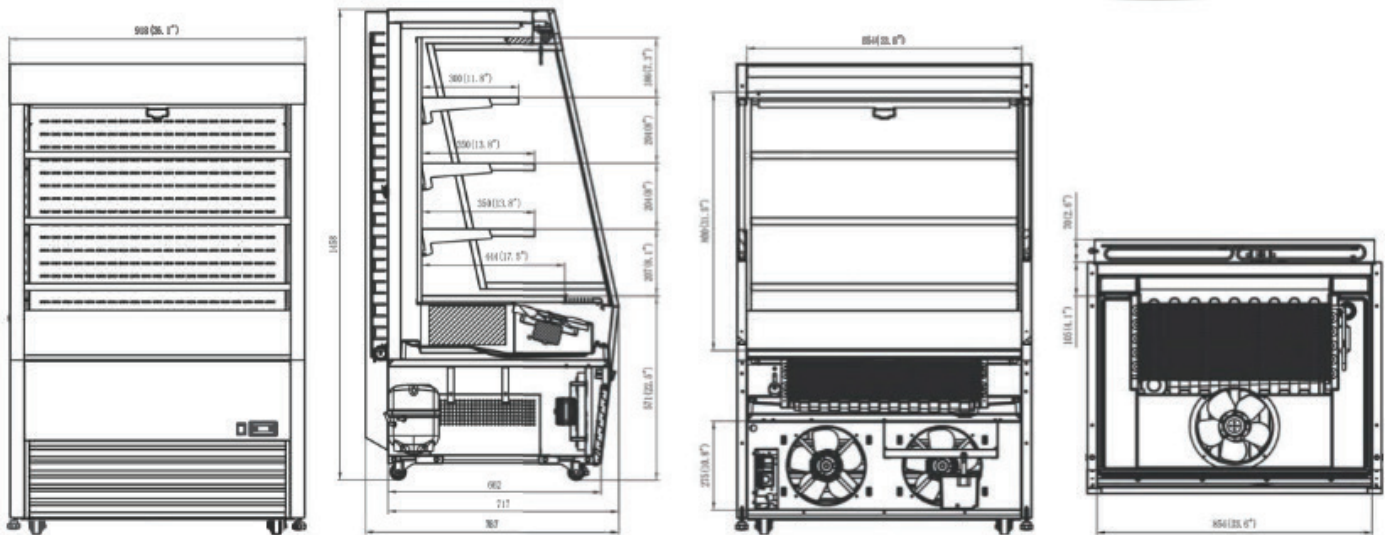


3560 NW 56th St. Fort Lauderdale, FL 33309  
Telephone: 786.600.4687 / Toll Free: 844.218.8477  
Fax: 786.661.4100

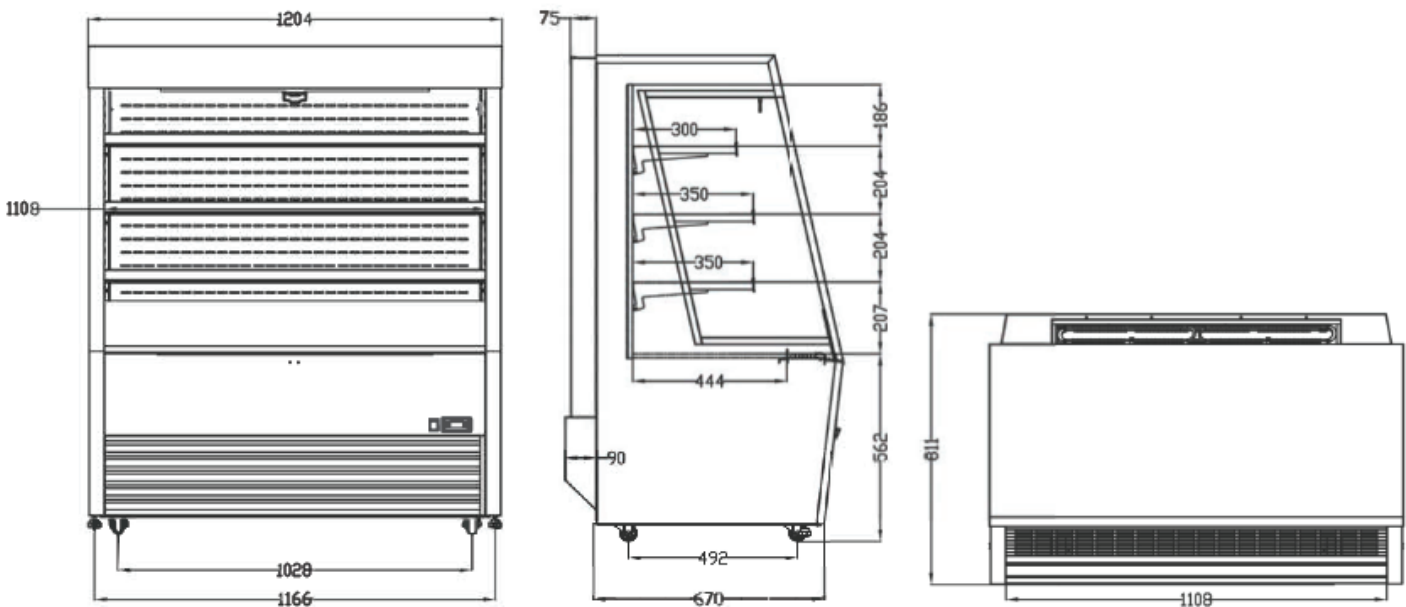
5659 Royalmount Ave., Montreal, QC, Canada H4P 2P9  
Telephone: 514.737.9701 / Toll Free: 888.275.4538  
Fax: 514.342.3854 / Toll Free: 877.453.8832  
sales@mvpgroupcorp.com / mvpgroupcorp.com



**KOM-36XBK**



**KOM-48XBK**



Warranty: 1 year parts and labor.  
Additional 4 years on compressor (part only).

KOOL-IT is a registered trademark of MVP Group.  
Specifications subject to change without notice.



3560 NW 56th St. Fort Lauderdale, FL 33309  
Telephone: 786.600.4687 / Toll Free: 844.218.8477  
Fax: 786.661.4100

5659 Royalmount Ave., Montreal, QC, Canada H4P 2P9  
Telephone: 514.737.9701 / Toll Free: 888.275.4538  
Fax: 514.342.3854 / Toll Free: 877.453.8832  
sales@mvpgroupcorp.com / mvpgroupcorp.com