

DW24XV

DISHWASHER 24" STAINLESS PANEL XV MODEL



PRODUCT FEATURES

Style	Stainless steel panel installed
Interior finish	Stainless steel tub
User interface	Concealed electronic touch interface
Sound insulation	48 db(A)
Racks	2 with height-adjustable middle rack
Place settings	14
Wash cycles	6 – Normal, Heavy, Auto, Quick, Rinse, ECO
Wash options	4 – Extra Dry, Sani Boost, Hi Temp, Delay Start
Drying system	Turbo drying
Filter	Triple-stage filter
Food disposer	Yes
Sprayer arms	3
Lighting	No

TECHNICAL SPECIFICATIONS

Voltage, Frequency, Amps	120V 60Hz - 8.5 Amps 975W
EnergyStar	Yes 249 kWh/yr
Power connection	Direct wiring, no cord
Water connection	Min. 3/8" copper pipe with accessible shut-off valve
Certification	CSA
Warranty	2 years parts & labor

ACCESSORIES

PROHK24DW	Handle kit 24" dishwasher XV/XT PROFESSIONAL SERIES
MASHK24DW	Handle kit 24" dishwasher XV/XT MASTER SERIES
HERHK24DW	Handle kit 24" dishwasher XV/XT HERITAGE SERIES

Extra-quiet performance 48 dB(A)

Dual pump system with food disposer and triple-stage filter ensure maximum removal of dirt residues from washing water

6 washing programs, 4 washing options and turbo drying ensure a customizable and always effective wash program

Sani-Boost option elevates washing temperature to 158F for perfect and sanitized cleaning

Energy Star compliant

Choose Professional, Master or Heritage Series handle kit to match your other Bertazzoni kitchen appliances



DW24XV+PROHK24DW



DW24XV+MASHK24DW

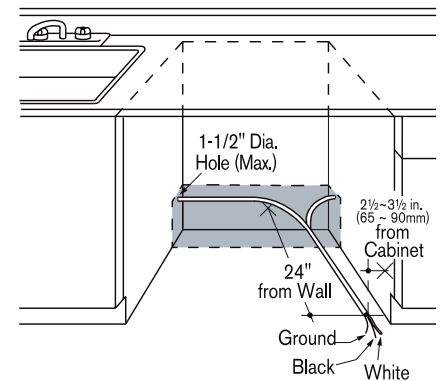
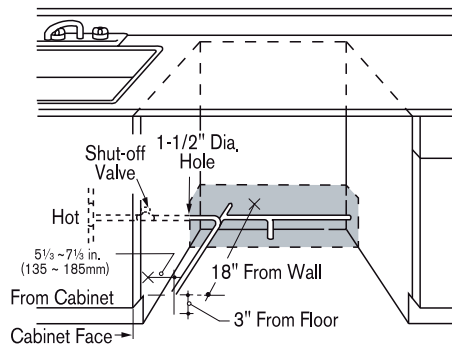
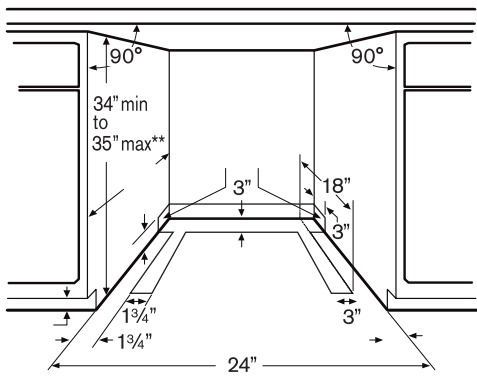
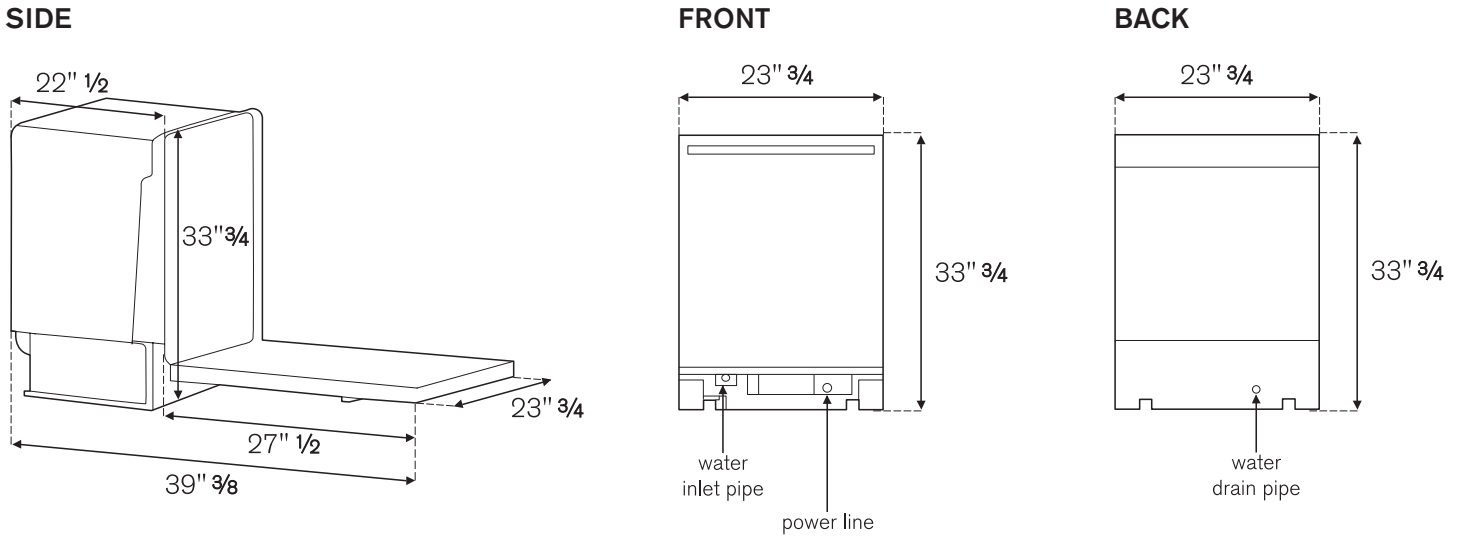


DW24XV+HERHK24DW

DW24XV

DISHWASHER 24" STAINLESS PANEL

XV MODEL

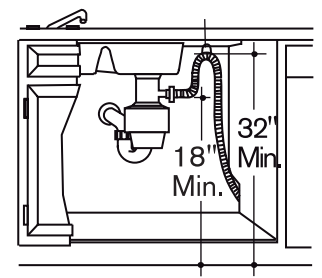
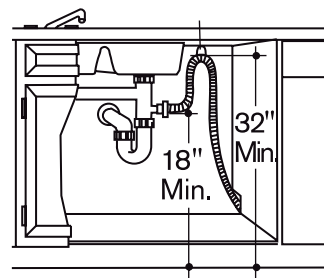
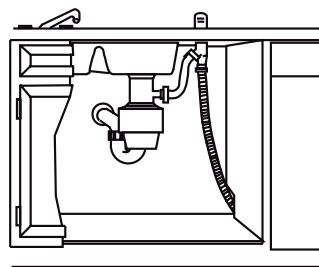
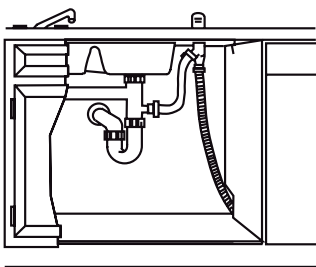


WATER LINES:

Install water lines on either side, rear, or floor of shaded area. Line may pass through same hole as electrical cable and drain hose. If power cord with plug is used, water line **MUST NOT** pass through power cord hole.

ELECTRICAL LINES

Install electrical line entry on either side, rear, or floor of shaded area. Must be connected to individual properly grounded circuit (with 15 – 20 A circuit breaker). Line must have 2 wires with a ground



DRAIN REQUIREMENTS:

Follow local codes & ordinances. Drain hose cannot exceed 10' distance to drain line.

AIR GAP / HIGH DRAIN LOOP:

Install a waste line with an air gap (not supplied) or high drain loop to prevent backflow. High drain loop must be min 32" above floor. Air gap must be used if waste tee or disposer connection is less than 18" above floor.