

HYDRA KOOL



REAR STORAGE

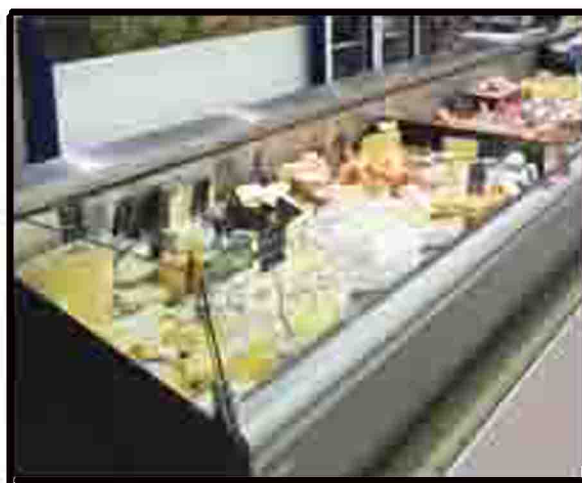
OPEN FRONT DELI CASE

**MEDIUM TEMPERATURE
TEMPERED FRONT GLASS
DESIGNED FOR DELI PRODUCTS
AND PACKAGED MEAT**

MODELS

KPM - OF - (60,80,100) - S

KPM - OF - (60,80,100) - R



**REMOTE AND SELF CONTAINED
404A REF - FORCED AIR REFRIGERATION**

ALTERNATE REFRIGERANTS AVAILABLE BY SPECIAL ORDER

IN COMPLIANCE
WITH
NATIONAL
ENERGY
STANDARDS




5659 Royalmount Ave.
Montreal, QC, Canada H4P 2P9
Telephone: 514.737.9701 / Toll Free: 888.275.4538
Fax: 514.342.3854 / Toll Free: 877.453.8832

12000 Biscayne Blvd., Suite #108
Miami, FL, United States 33181
Telephone: 786.600.4687 / Toll Free 844.218.8477
Fax: 786.661.4100

Email: sales@mvpgroupcorp.com

ELECTRICAL - 115 VOLTS

SELF CONTAINED	MODEL	O.A LENGTH INCHES	VOLUME FT ³		CASE TEMP	COMPRESSOR			FANS	EVAP PAN	TOTAL AMPS	NEMA 115V PLUG	WEIGHT LBS.		CRATE SIZE		
			FRONT	REAR		H.P.	F.L.A.	L.R.A.					NO CRATE	WITH CRATE			
															"L"	"W"	"H"
	KPM-OF-60-S	60	9.29	5.33	32/40F	1/2	9.6	49	.83	3.3	14.08	5-20P	185	630	67	44	42
	KPM-OF-80-S	77-1/2	12.15	8.76	32/40F	1/2	9.6	49	.96	3.3	14.08	5-20P	225	758	85	44	42
	KPM-OF-100-S	101-1/8	16.00	13.41	32/40F	5/8	8.9	47	1.31	3.3	13.73	5-20P	282	939	108	44	42

REMOTE	MODEL	O.A. LENGTH INCHES	NO. OF REAR DOORS	CASE TEMP	115 VOLTS TOTAL AMPS	B.T.U.	WEIGHT LBS.	
							NO CRATE	WITH CRATE
	KPM-OF-60-R	60	1	32/40F	.70	3260	160	575
	KPM-OF-80-R	77-1/2	2	32/40F	.70	4209	200	703
	KPM-OF-100-R	101-1/8	3	32/40F	1.05	4845	257	884

NOTE

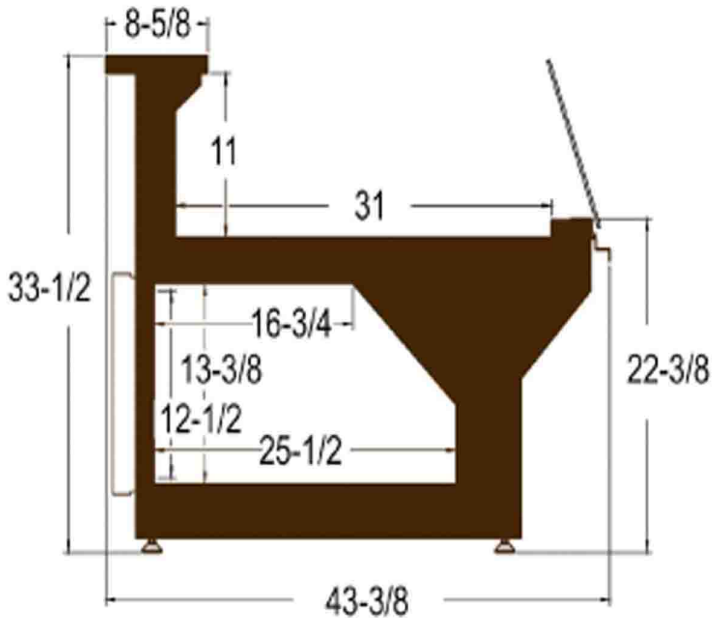
- THESE CASES ARE DESIGNED TO OPERATE USING R404A REFRIGERANT
- LENGTH INCLUDES (2) ENDS AT 1-1/2" EACH
- B.T.U.'S CALCULATED AT +14°F AND 90°F AMBIENT CASES ENGINEERED TO OPERATE AT 75°F AND 55% RH
- ON REMOTE CASES - IF NO FLOOR DRAIN IS PROVIDED- AN EVAPORATIVE PAN MUST BE ORDERED AND 3.3AMPS ADDED TO THE AMP LOAD
- REMOTE CASES PROVIDED WITH EXPANSION VALVE AND LIQUID SOLENOID FOR PUMPDOWN CYCLE
- REMOTE CASES ARE HARD WIRED - NO PLUGS

STANDARD FEATURES

- INSULATION - INJECTED FOAM
- INTERIOR - PVC COATED STEEL-GRAY
- EXTERIOR - PVC COATED STEEL-SILVER
- ENDS-FOAMED -BLACK POLYSTYRENE
- CASES ARE MULTIPLEXIBLE
- PULL-OUT CONDENSING UNIT - ON S/C ONLY
- DEFROST AND TEMPERATURE REGULATED BY A DIGITAL CONTROLLER
- ADJUSTABLE FEET
- ETL LISTED TO UL471 AND SANITATION CLASSIFIED TO NSF7
- THESE CASES COMPLY WITH THE NATIONAL ENERGY STANDARS

OPTIONAL FEATURES

- CASTERS - ADD 4-3/8" TO HEIGHT
- ADJUSTABLE STAINLESS STEEL LEGS- FROM 5-1/8" TO 7-5/8"
- OTHER COLORS AVAILABLE
- STAINLESS STEEL EXTERIOR
- STAINLESS STEEL INTERIOR
- EVAPORATIVE PAN FOR REMOTE CASES
- WHITE APOXY BI-LEVEL WIRE RACKS
- SCALE STAND WITH RECEPTACLE
- CUTTING BOARD
- (2) OR (3) LEVEL STEP SHAM
- KNIFE SUPPORT



WARRANTY

ONE YEAR PARTS AND LABOR WITH FOUR ADDITIONAL YEARS COMPRESSOR (PARTS ONLY)