
BERTAZZONI
INSTALLATION MANUAL

FREESTANDING ELECTRIC RANGES



TABLE OF CONTENTS

WARNINGS	4
DATA RATING LABEL	5
BEFORE INSTALLATION	6
VENTILATION PREPARATION	7
SPECIFICATIONS	7
CLEARANCE DIMENSIONS	8
INSTALLATION REQUIREMENTS	9
Electrical	9
ELECTRICAL CONNECTION	10
WIRING DIAGRAM	11
INSTALLATION	13
Unpackaging the range	13
Removing the oven door	13
Installing the legs	14
Installing the worktop frontguard	14
Installing the island trim	15
Installing backguard (optional)	15
INSTALLING THE ANTI-TIP DEVICES	16
Anti-tip brackets	16
Anti-tilt chain	16
INSTALLATION CHECKLIST	17
FINAL PREPARATION	17
BERTAZZONI SERVICE	18

Models

MAST365INMXE
MAST365INSXT

Models

PROF304INMXE
PROF304INMXT
PROF304INSART
PROF304INSBIT
PROF304INSGIT
PROF304INSNET
PROF304INSROT
PROF304INSXT
PROF365INSART
PROF365INSBIT
PROF365INSGIT
PROF365INSNET
PROF365INSROT
PROF365INSXT

WARNINGS

To ensure proper and safe operation, the appliance must be properly installed and grounded by a qualified technician. DO NOT attempt to adjust, repair, service, or replace any part of your appliance unless it is specifically recommended in this manual. All other servicing should be referred to a qualified servicer.

FOR THE INSTALLER: Before installing the Bertazzoni appliance, please read these instructions carefully. This appliance shall be installed in accordance with the manufacturer's installation instructions. Leave these instructions with the owner, who should save them for local inspector's use and for future reference. DO NOT remove permanently affixed labels, warnings, or plates from product. This may void the warranty.

Installation must conform with all local codes. This range is NOT designed for installation in manufactured (mobile) homes or recreational park trailers.

DO NOT install this range outdoors.

This appliance must be properly grounded. Grounding reduces the risk of electric shock by providing a safe pathway for electric current in the event of a short circuit.

Warning!

To avoid risk of property damage, personal injury or death; follow information in this manual exactly to prevent a fire or explosion.

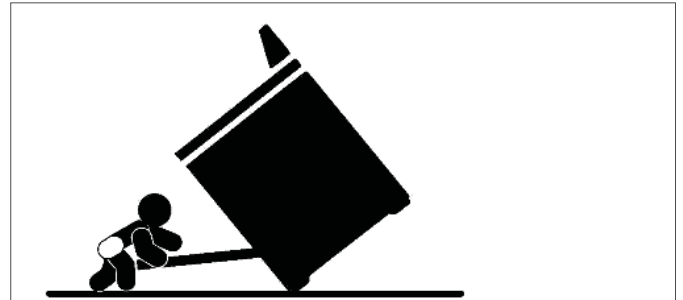
Warning!

To avoid risk of property damage, personal injury or death; follow information in this manual exactly to prevent a fire or explosion. **DO NOT** store or use gasoline or other flammable vapors and liquids nearby this or any appliance.

NOTE: Installation and service must be performed by a qualified installer, service agency or the gas supplier.

DANGER!!! ELECTRIC SHOCK HAZARD!!!

To avoid risk of electrical shock, personal injury or death, verify that the appliance has been properly grounded in accordance with local codes or in absence of codes, with the National Electrical Code (NEC). ANSI/NFPA 70- latest edition.



Warning - tipping hazard

Children and adults can tip over the range if it has not been secured. This may lead to fatal injuries. To reduce the risk of the appliance tipping, it must be secured and connected using the anti-tip device according to the installation instructions.

Re-engage the anti-tip device if the range is moved. Do not operate the range without the anti-tip device in place and engaged. Do not use the range if the anti-tip device has not been properly installed and engaged. See installation instructions for details.

Failure to observe the information contained in the installation instructions can lead to serious or fatal injuries for children and adults.

DO NOT lift the range by the oven door's handle, as this may damage the door hinges and cause the door to fit incorrectly.

DO NOT lift the appliance by the range's control panel.

The unit is heavy and should be handled accordingly. Proper safety equipment such as gloves and adequate manpower of at least two people must be used in moving the range to avoid injury and to avoid damage to the unit or the floor.

Rings, watches, and any other loose items that may damage the unit or otherwise might become entangled with the unit should be removed.

Hidden surfaces may have sharp edges. Use caution when reaching behind or under appliance.

DO NOT use a hand truck or appliance dolly on the back or front of the unit. Handle from the side only.

The data rating label shows the model and serial number of the range. It is located under the control panel and in the last page of this manual.

DATA RATING LABEL

To ensure proper and safe operation, the applianceThe data rating label shows the model and serial number of the range. It is located under the control panel and in the last page of this manual

BEFORE INSTALLATION

- This appliance shall only be installed by an authorized professional.
- This appliance shall be installed in accordance with the manufacturer's installation instructions.
- This appliance must be installed in accordance with the norms & standards of the country where it will be installed.
- The appliance, when installed, must be electrically grounded in accordance with local codes or, in the absence of local codes, with the National Electrical Code, ANSI/NFPA 70.

All opening and holes in the wall and floor, back and under the appliance shall be sealed before installation of the appliance.

Room ventilation

An exhaust fan may be used with the appliance; in each case it shall be installed in conformity with the appropriate national and local standards. Exhaust hood operation may affect other vented appliances; in each case it shall be installed in conformity with the appropriate national and local standards.

Warning

This appliance should not be installed with a ventilation system that directs air in a downward direction toward the range. This type of ventilation system may cause ignition and combustion problems with the appliance resulting in personal injury, property damage, or unintended operation. Ventilating systems that direct the air upwards do not have any restriction.

Do not use aerosol sprays in the vicinity of this appliance while it is in operation.

VENTILATION PREPARATION

This range will best perform when installed with Bertazzoni exhaust hoods. These hoods have been designed to work in conjunction with the Bertazzoni range and have the same finish for a perfect look.

Before installation of the exhaust hood, consult local or regional building and installation codes for additional specific clearance requirements.

Refer to the range hood installation instructions provided by the manufacturer for additional information.

Select Hood and Blower Models:

- For wall installations, the hood should be equal or larger width than the range. Where space permits, a hood larger than the range may be desirable for improved ventilation performance.
- For island installations, the hood width should overhang the range by a minimum of 3" (76 mm) on each side.

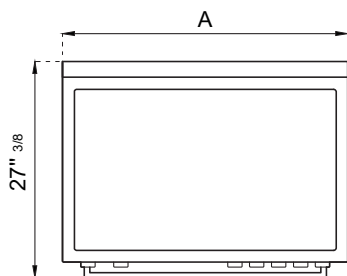
Hood Placement:

- For best removal of smoke and odors, the lower edge of the hood should be installed between 25 1/2" (65 cm) and 31 1/2" (80 cm) above the range cooking surface.
- If the hood contains any combustible materials (i.e. a wood covering), it must be installed at a minimum of 36" (914 mm) above the cooking surface.

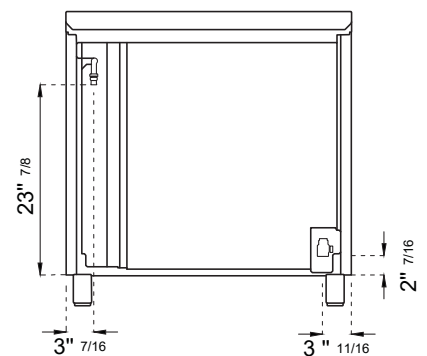
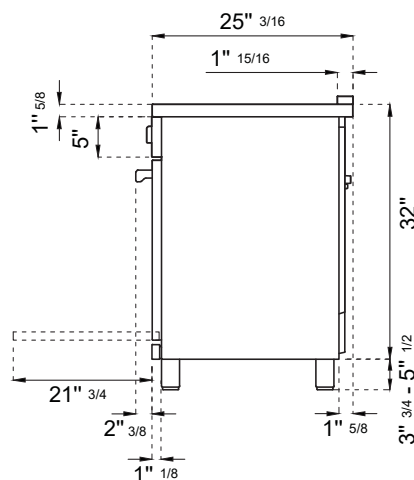
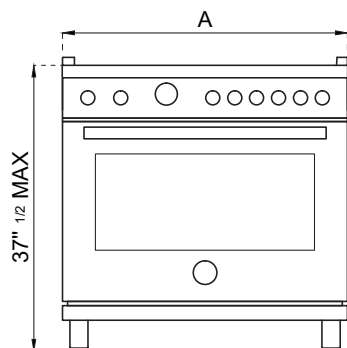
Consider Make-Up Air:

Due to the high volume of ventilation air, a source of outside replacement air is recommended. This is particularly important for tightly sealed and insulated homes. A qualified heating and ventilating contractor should be consulted.

SPECIFICATIONS



A		
30"	36"	48"



CLEARANCE DIMENSIONS

Installation adjacent to kitchen cabinets

This range may be installed directly adjacent to existing countertop high cabinets (36" or 91.5 cm from the floor).

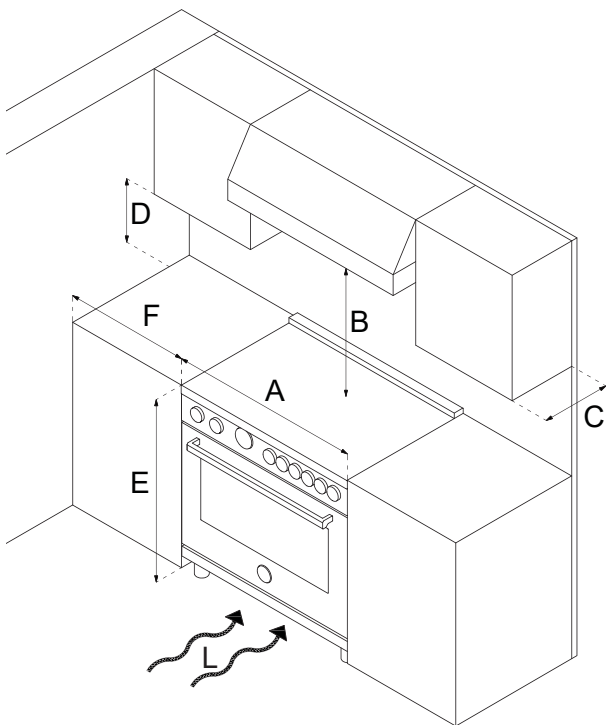
For the best look, the worktop should be level with the cabinet countertop. This can be accomplished by raising the unit using the adjustment spindles on the legs.

ATTENTION: the range CANNOT be installed directly adjacent to kitchen walls, tall cabinets, tall appliances, or other vertical surfaces above 36" (91.4 cm) high. The minimum side clearance in such cases is 6" (15.2 cm).

Wall cabinets with minimum side clearance must be installed 18" (45.7 cm) above the countertop with countertop height between 35 1/2" (90.2 cm) and 37 1/4" (94.6 cm). The maximum depth of wall cabinets above the range shall be 13" (33.0 cm).

Cabinet

A	30" (76,2 cm)
B	36" (91,5 cm) hood with combustible materials
C	13" (33,0 cm)
D	18" (45,7 cm)
E	35" 1/2(90,2 cm) / 37" 1/4 (94,6 cm)
F	6" (15,2 cm)

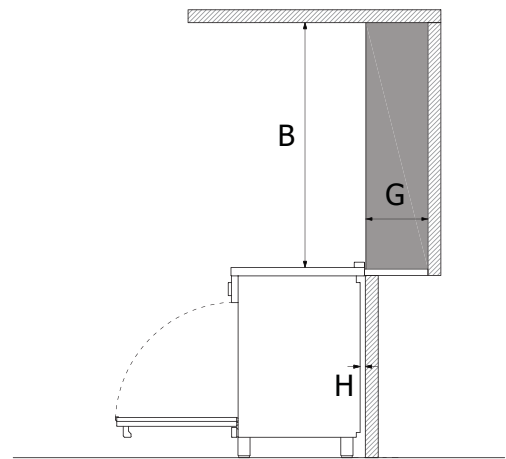


If installing toekick, verify that the sum of the cutout areas equal the recommended ventilation (L)

30"	area 40 sq. inches	(25840 mm ²)
36"	area 51 1/2 sq. inches	(33107 mm ²)
48"	area 73 1/2 sq.inches	(47547 mm ²)

Metal hood

A	30" (76,2 cm)
B	25 1/2"(65 cm) and 31 1/2" (80 cm)
C	13" (33,0 cm)
D	18" (45,7 cm)
E	35" 1/2(90,2 cm) / 37" 1/4 (94,6 cm)
F	6" (15,2 cm)
G	12"(30,50 cm)
H	1" 9/16(4 cm)



Shaded area behind range indicates minimum clearance to combustible surfaces, combustible materials cannot be located within this area.
12" (305 mm) min. to combustible surface with Flush Island Trim

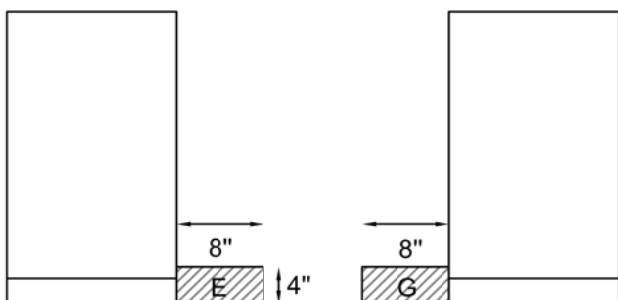
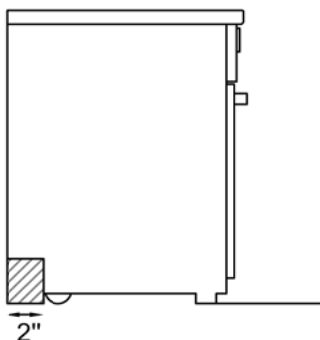
For Flush Island installations, counter surface should have a cantilever edge meeting the back section of the Flush Island Trim accessory.

INSTALLATION REQUIREMENTS

ELECTRICAL

A properly-grounded horizontally- mounted electrical receptacle should be installed no higher than 3" (7.6 cm) above the floor, no less than 2" (5 cm) and no more than 8" (20,3 cm) from the left side (facing product).

Check all local code requirements.



 installation area for the connection

ELECTRICAL CONNECTION

Warning!
ELECTRICAL SHOCK HAZARD
 Disconnect electrical power at the circuit breaker box or fuse box before installing the appliance.
 Provide appropriate ground for the appliance.
 Use copper conductors only.
 Failure to follow these instructions could result in serious injury or death.

Electrical grounding

This appliance is equipped with a three-prong plug for your protection against shock hazard and should be plugged directly into a properly grounded socket. Do not cut or remove the grounding prong from this plug.

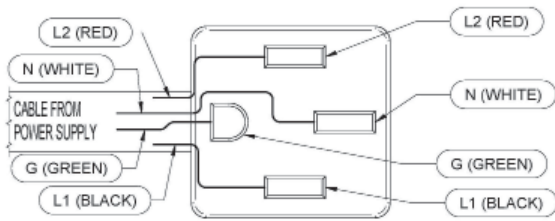
Caution
 Label all wires prior to disconnecting when servicing controls. Wiring errors can cause improper and dangerous operation.
 Verify proper operation after servicing.

The appliance shall be connected to a single phase electric line rated at 120/208Vac or 120/240Vac and 60Hz frequency.

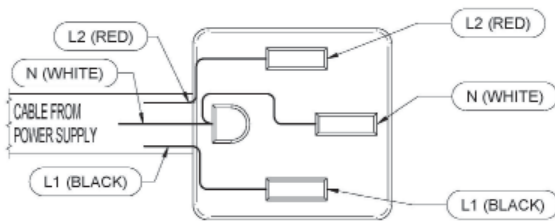
Type	Voltage	Circuit rating	Electrical supply
30" IND-DFM	120/208V	10300W 46A	40A
	120/240V	11000W 48A	40A
30" IND-DFS	120/208V	11700W 53A	40A
	120/240V	13000W 56A	40A
36" IND-DFM	120/208V	14000W 62A	40A
	120/240V	14800W 64A	40A
36" IND-DFS	120/208V	15600W 70,5A	50A
	120/240V	17000W 73,5A	50A

Install a suitable electric power supply receptacle connection type NEMA 14-50R able to support a load of at least 30 A (per line) according to local code requirements. For four or three wires power supply connection system see diagram below.

FOUR-WIRE CONN.RECEPTACLE NEMA 14-50R



THREE-WIRE CONN.RECEPTACLE NEMA 14-50R



Check your local code for which of the options below should be used in grounding the receptacle power supply connections.

OPTION 1 – FOUR Wires connection:

- Connect the L1 receptacle terminal to the incoming BLACK electrical supply wire (L1-hot wire)
- Connect the L2 receptacle terminal to the incoming RED electrical supply wire (L2-hot wire)
- Connect the NEUTRAL receptacle terminal to the incoming NEUTRAL (WHITE) electrical supply wire
- Connect the GROUND receptacle terminal to the incoming GROUND (GREEN) electrical supply wire

OPTION 2 - THREE-Wires connection:

- Connect the L1 receptacle terminal to the incoming BLACK electrical supply wire (L1-hot wire)
- Connect the L2 receptacle terminal to the incoming RED electrical supply wire (L2-hot wire)
- Connect the NEUTRAL with the GROUND receptacle terminal to the incoming NEUTRAL (WHITE) electrical supply wire

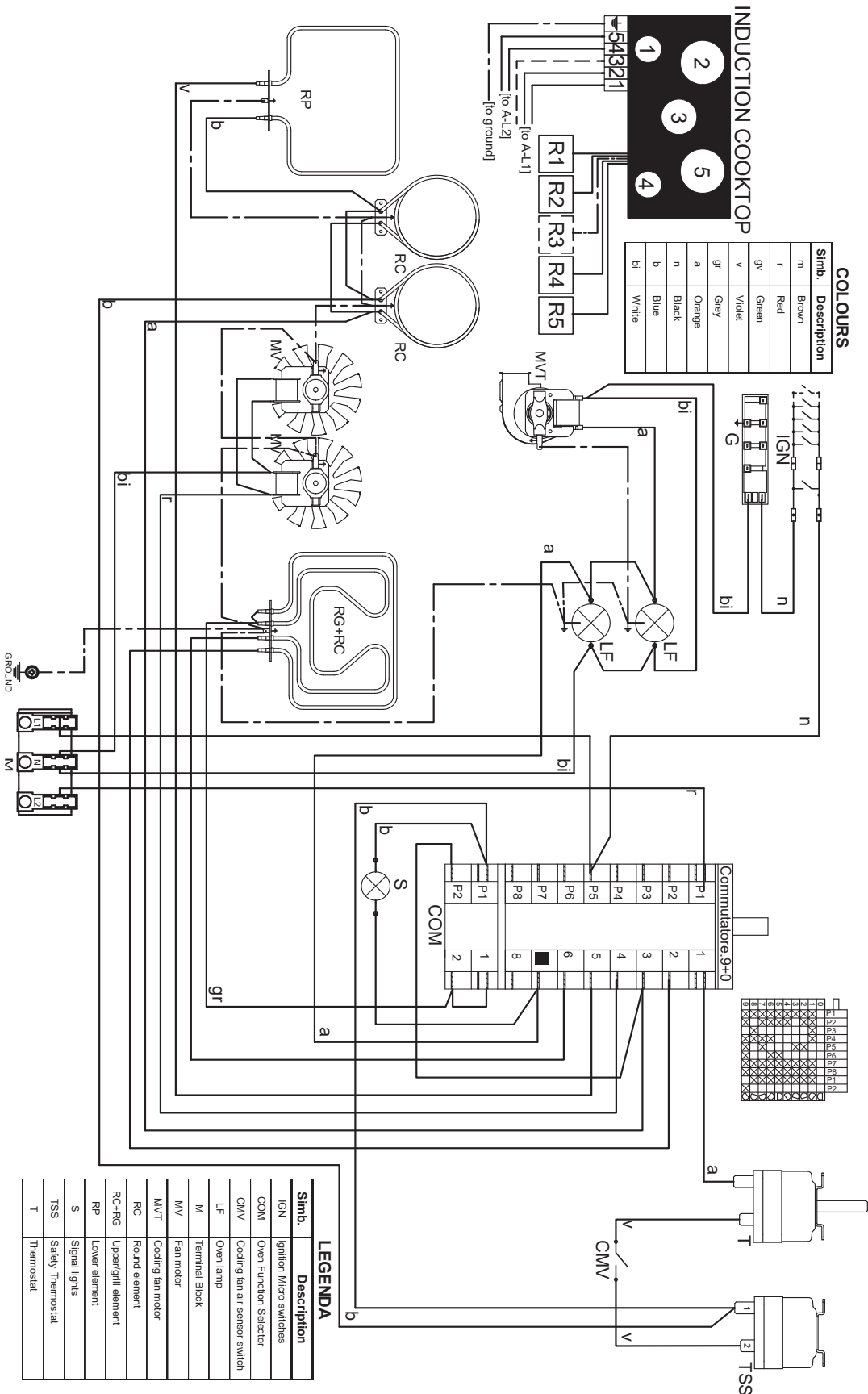
DO NOT USE EXTENSION CORDS WITH THIS APPLIANCE AS IT MAY RESULT IN FIRE, ELECTRIC SHOCK OR OTHER type of PERSONAL INJURY.

The appliance is equipped at the factory with an electric supply cord set 4 wires type with ring terminals (L1, L2, N, Ground) suitable for range use UL/CSA listed type SRDT/DRT 2x6AWG (L1, L2)+2x8AWG (N, G) rated 300V, 40 or 50A with fused plug type NEMA 14-50P; cable length 1,5 m.; in case the supply cord set must be replaced, it shall be replaced with an identical set having the same technical specs and following carefully the instructions and diagrams below:

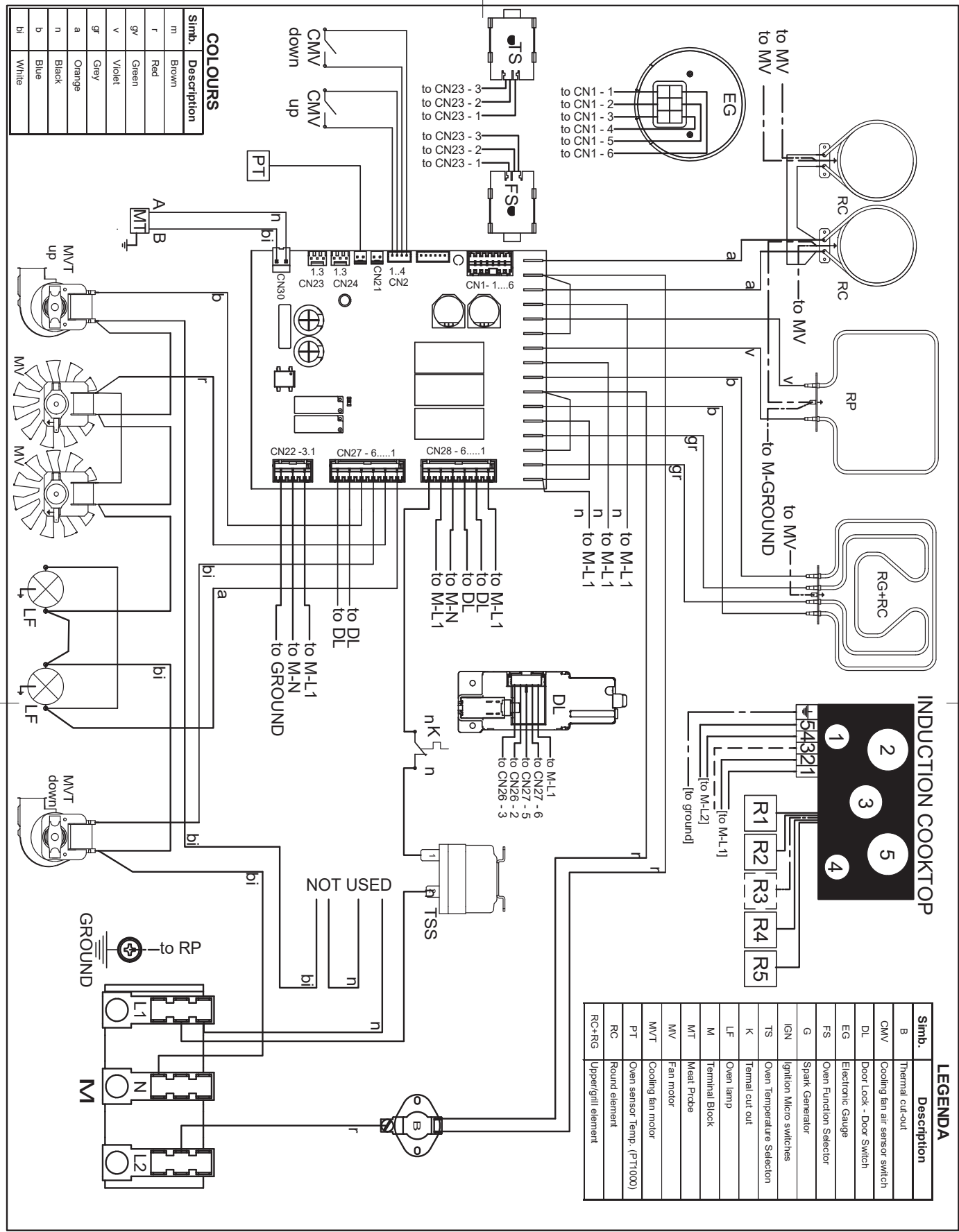
WIRING DIAGRAM

The electric wiring diagrams and schematics are attached behind the range, and should not be removed except by a service technician, then replaced after service.

DFM



DFS



INSTALLATION

APPLIANCE INSTALLATION

Unpacking the range

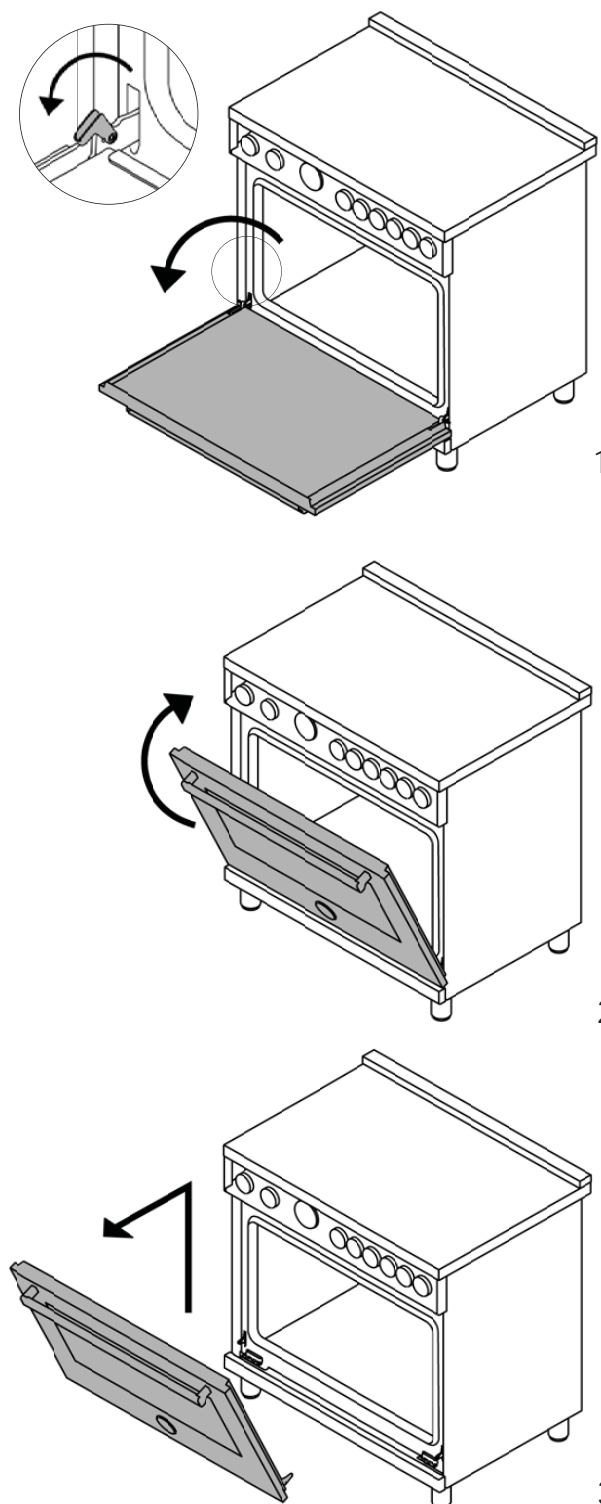
- Remove all packing materials from the shipping pallet but leave the adhesive-backed foam layer over brushed-metal surfaces to protect it from scratches until the range is installed in its final position. Only the film on the side panels should be removed before inserting the range between the cabinets.
- Examine the appliance after unpacking it. In the event of transport damage, do not plug it. Take pictures of the damage and report it immediately to the freight forwarder.
- Remove the oven door(s). This will reduce the weight of the range.
- The grates, griddle plate, burner caps, and oven racks should be removed to facilitate handling.
- Before moving the range, protect the floor to prevent damage.

REMOVING THE OVEN DOOR

Prepare the door for removal. Flip up the locking clamps on each door hinge. Slowly shut the door until the protruding clamps stop the movement.

Pull oven door upwards and remove.

Do not lift or carry the oven door by its handle!
This may damage the hinges.



INSTALLING THE LEGS

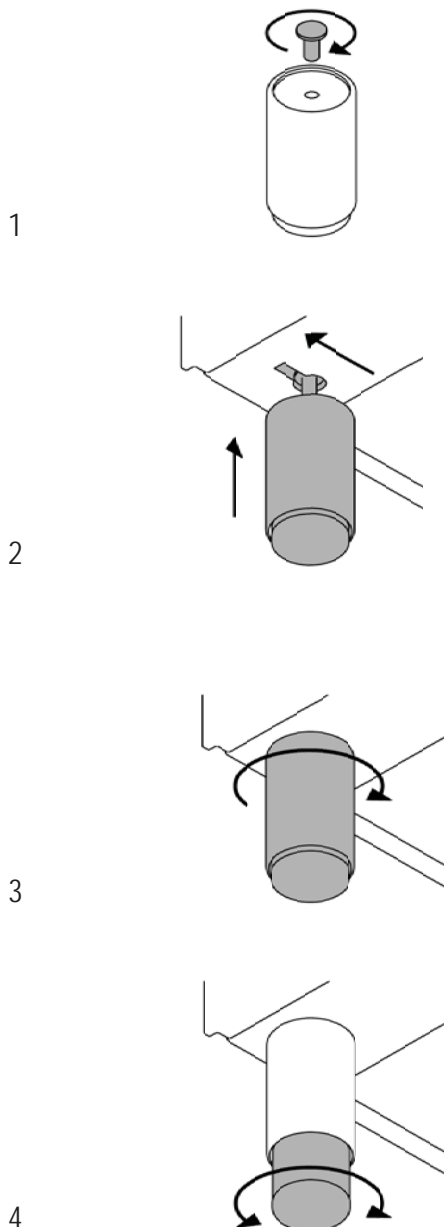
Bertazzoni ranges must be used only with the legs properly installed.

Four height-adjustable legs are supplied with the range in the polystyrene container situated over the appliance.

Before installing the legs, position the appliance near its final location as the legs are not suitable for moving the appliance over long distances.

After unpacking the range, raise it enough to insert the legs in the appropriate receptacles situated on the lower part of the appliance. Lower the range gently to keep any undue strain from legs and mounting hardware. If possible use a pallet or lift jack instead of tilting the unit.

Adjust leg height to the desired level by twisting the inside portion of the leg assembly until the proper height is reached. Check with a level that the cooktop is perfectly level.

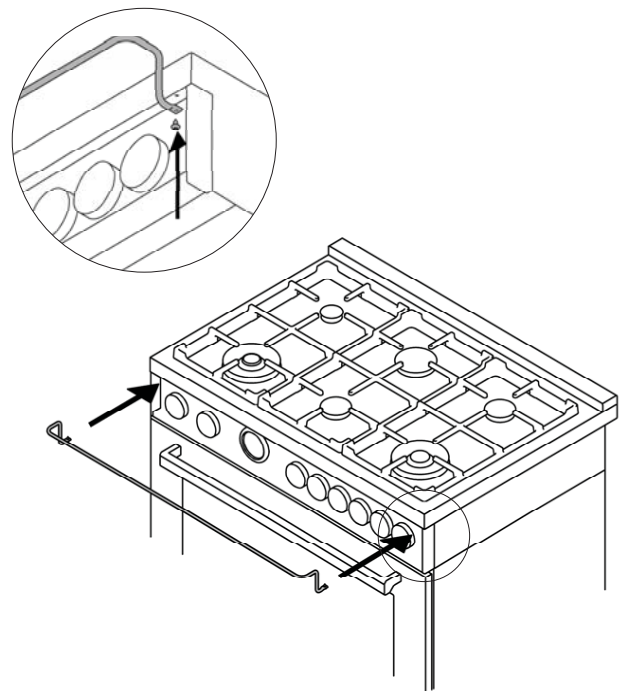


INSTALLING THE WORKTOP FRONTGUARD

To increase the clearance between the front edge of the worktop and the burners it is possible to install the worktop frontguard shipped with the appliance.

To install the front guard,

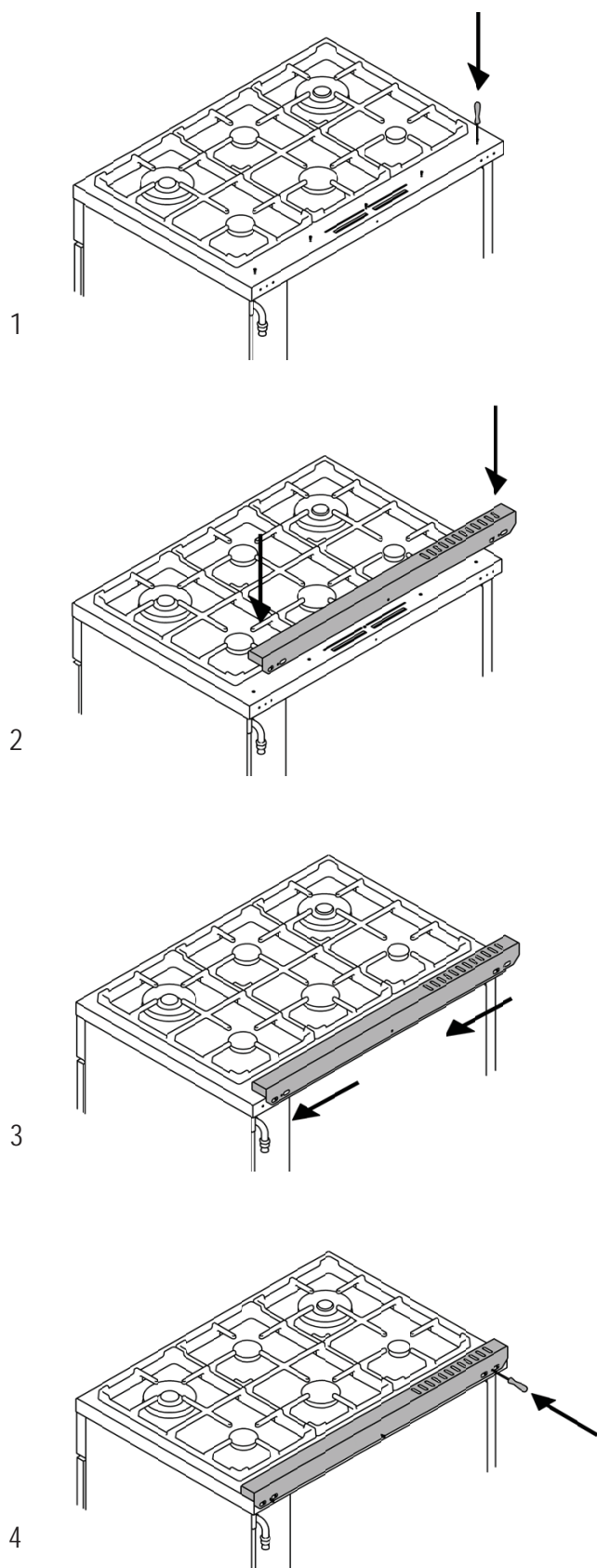
- Locate the two fixing holes on the end of the frontguard
- Locate the two fixing holes in the bottom side of the worktop
- Fix the frontguard with the 2 supplied screw



INSTALLING THE ISLAND TRIM

The island trim must be installed prior to operation of the appliance for appropriate ventilation of the oven compartment.

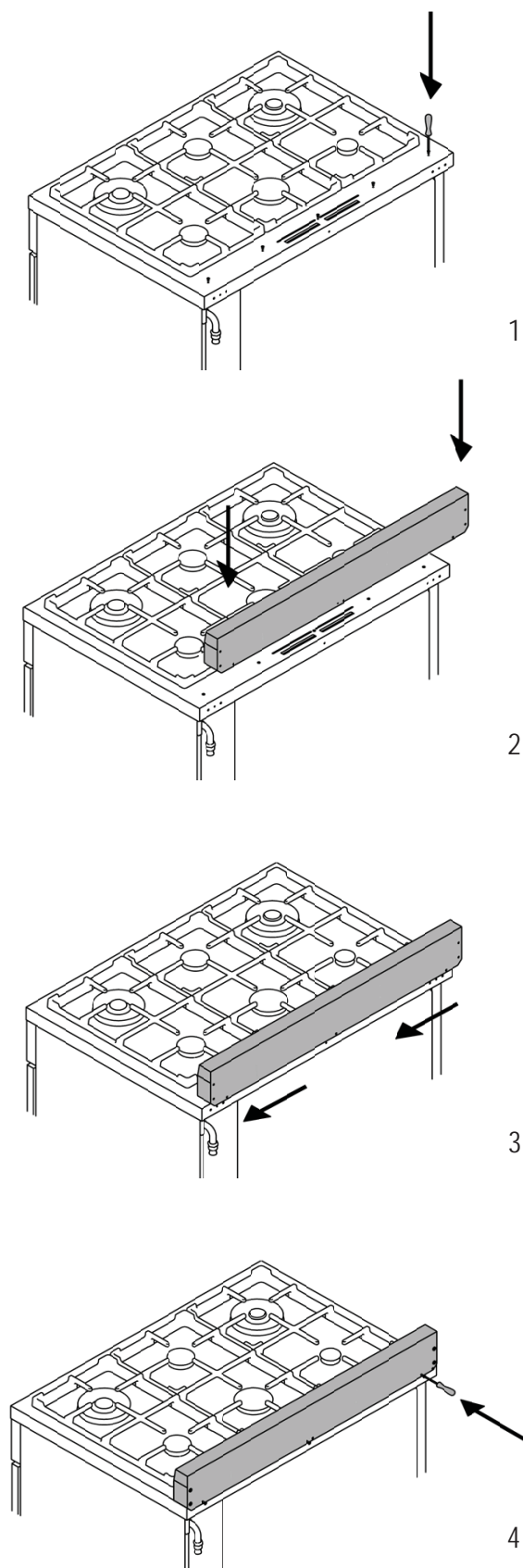
The island trim is only placed on the cooktop, remove all tape and packaging before installing it.



INSTALLING BACKGUARD (OPTIONAL)

The backguard must be installed prior to operation of the appliance for appropriate ventilation of the oven compartment.

The backguard is an optional contact you dealer for buying it.



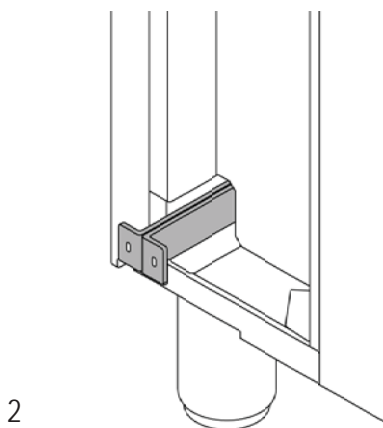
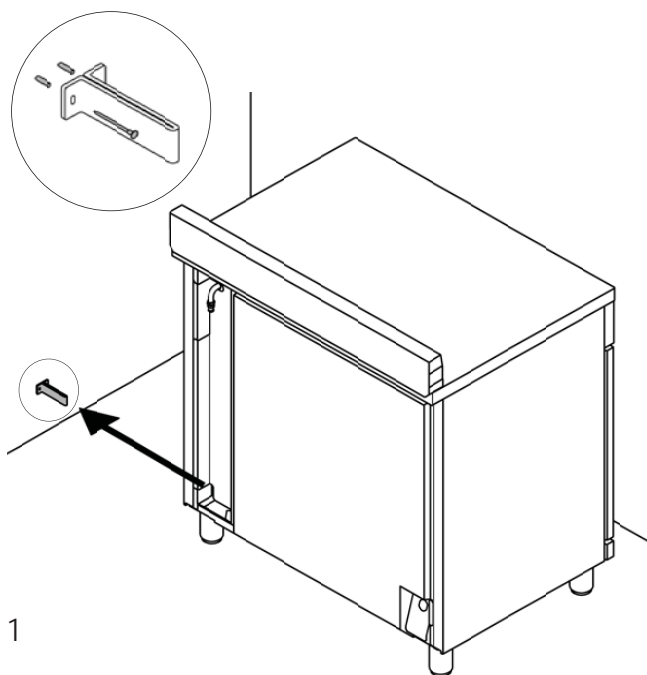
INSTALLING THE ANTI/TIP DEVICES

ANTI-TIP BRACKETS

The anti-tip bracket shipped with the range must be properly secured to the rear wall as shown in the picture below.

The height of the bracket from the floor must be determined after the range legs have been adjusted to the desired height and after the range has been levelled.

- Measure the distance from the floor to the bottom of the anti-tip bracket receptacle on the back of the appliance.
- Position the anti-tip brackets on the wall at the desired height plus 1/8" (0.32 cm). The brackets must be placed at 2"5/16 (6,0 cm) from the side of the range.
- Secure the brackets to the wall with appropriate hardware.
- Slide the range against the wall until the brackets are fully inserted into their receptacles on the back of the range.



ANTI/TILT CHAIN

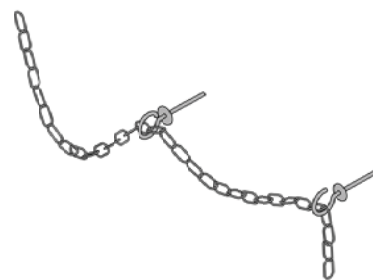
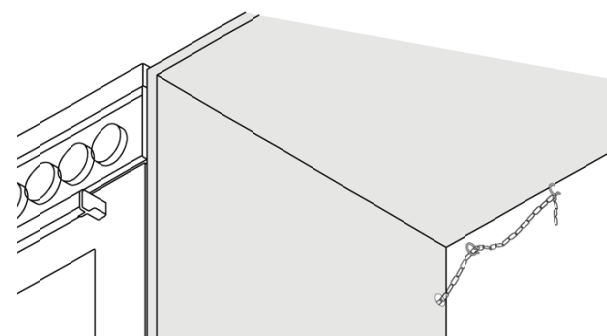
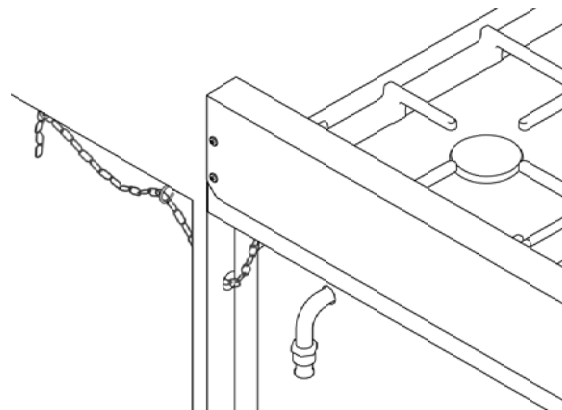
The anti-tilt chain shall be installed on right or left side alternatively according below instructions.

The chain shall be hand pulled and fixed to open hook through closed ring.

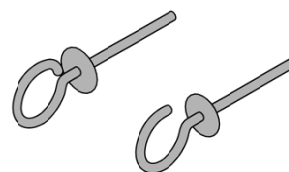
Disengage the chain prior to moving the appliance for service.

Attention:

Once servicing operation have been completed the anti-tilt devices (brackets and chain) shall be re-engaged according above instruction/installations.



CLOSED RING



OPEN HOOK

INSTALLATION CHECKLIST

A qualified installer should carry out the following checks:

- Range mounted on its legs
- Island trim or Backguard attached according to instruction
- Anti-tip device properly installed
- Clearance to cabinet surfaces as manufacturer's guideline

FINAL PREPARATION

- Before using the oven, remove any protective wrap from the stainless steel.
- All stainless steel body parts should be wiped with hot, soapy water and with a liquid stainless steel cleanser.
- If buildup occurs, do not use steel wool, abrasive cloths, cleaners, or powders!
- If it is necessary to scrape stainless steel to remove encrusted materials, soak with hot, wet cloths to loosen the material, then use a wood or nylon scraper.
- Do not use a metal knife, spatula, or any other metal tool to scrape stainless steel! Scratches are almost impossible to remove.
- Before using the oven for food preparation, wash the cavity thoroughly with a warm soap and water solution to remove film residues and any dust or debris from installation, then rinse and wiped dry.

Attention!

When using the oven for the first time it should be operated for 15-30 minutes at a temperature of about 500°F/260°C (main oven) or 440°F/227°C(auxiliary oven) without cooking anything inside in order to eliminate any moisture and odours from the internal insulation.

BERTAZZONI SERVICE

Bertazzoni is committed to providing the best customer and product service. We have a dedicated team of trained professionals to answer your needs.

If you own a Bertazzoni appliance and need service in the US or Canada please use the following contact information:

e-mail: aftersaleservice@bertazzoni.com

Telephone - Monday through Friday,
7.30am to 7.30pm EST (except US public holidays).

US	866-905-0010
WESTERN CANADA	866-905-0010 (BC,AB,SK,MB)
EASTERN CANADA	800-561-7265 (ON,QC,NL,NB,NS,PE)

BERTAZZONI
MANUEL D'INSTALLATION

CUISINIÈRES ELECTRIQUE AUTONOMES



TABLE DES MATIÈRES

AVERTISSEMENTS	4
ÉTIQUETTE SIGNALÉTIQUE	5
AVANT L'INSTALLATION	6
PRÉPARATION DE LA VENTILATION	7
SPÉCIFICATIONS	7
ESPACE DE DÉGAGEMENT	8
CONDITIONS D'INSTALLATION	9
Électricité	9
ACCORDEMENT ÉLECTRIQUE	10
SCHÉMA DE CÂBLAGE	11
INSTALLATION	13
Déballage de la cuisinière	13
Retrait de la porte du four	13
Installation des pieds	14
Installation de la protection frontale de la surface de cuisson	14
Installation de la garniture	15
Installation de la protection arrière (en option)	15
INSTALLATION DES DISPOSITIFS ANTI-BASCULEMENT	16
Supports anti-basculement	16
Chaîne anti-basculement	16
LISTE DE CONTRÔLE POUR L'INSTALLATION	17
PRÉPARATION FINALE	17
ASSISTANCE BERTAZZONI	18

Modèles

MAST365INMXE

MAST365INSXT

Modèles

PROF304INMXE

PROF304INMXT

PROF304INSART

PROF304INSBIT

PROF304INSGIT

PROF304INSNET

PROF304INSROT

PROF304INSXT

PROF365INSART

PROF365INSBIT

PROF365INSGIT

PROF365INSNET

PROF365INSROT

PROF365INSXT

AVERTISSEMENTS

Pour un fonctionnement correct et en toute sécurité, l'appareil doit être correctement installé et mis à la terre par un technicien qualifié. NE PAS tenter de régler, réparer, réviser ou remplacer un composant de l'appareil à moins que le présent manuel ne le recommande spécifiquement. Toute autre intervention doit être réalisée par un opérateur qualifié.

POUR L'INSTALLATEUR : Avant d'installer l'appareil Bertazzoni, veuillez lire attentivement ces instructions. Cet appareil doit être installé conformément aux instructions d'installation du fabricant. Ces instructions doivent être laissées à la disposition du propriétaire, qui les conservera pour toute consultation future ou en cas de visite d'un inspecteur. NE PAS retirer les étiquettes, les avertissements ou les plaques permanentes apposés sur le produit. Cela risquerait d'annuler la garantie.

L'installation doit être conforme aux réglementations locales.

La cuisinière N'A PAS été conçue pour être installée dans des maisons préfabriquées (mobiles) ou des caravanes.

NE PAS installer la cuisinière en extérieur.

L'appareil doit être correctement raccordé à la terre. Le raccordement à la terre réduit le risque de décharge électrique en fournissant un passage sécurisé au courant électrique en cas de court-circuit.

Avertissement !

Pour éviter les risques de lésion, de blessure mortelle ou de dommages aux biens, suivre scrupuleusement les informations contenues dans ce manuel visant à prévenir les incendies ou les explosions.

Avertissement !

Pour éviter les risques de lésion, de blessure mortelle ou de dommages aux biens, suivre scrupuleusement les informations contenues dans ce manuel visant à prévenir les incendies ou les explosions. **NE PAS** entreposer ou utiliser de l'essence ou d'autres liquides et vapeurs inflammables à proximité de l'appareil.

REMARQUE : L'installation et l'entretien doivent être réalisés par un installateur qualifié, une agence spécialisée ou un fournisseur de gaz.

DANGER ! RISQUE DE DÉCHARGE ÉLECTRIQUE !

Pour éviter les risques de décharge électrique, de lésion ou de blessure mortelle, vérifier que l'appareil a été correctement mis à la terre, conformément aux réglementations locales ou, en leur absence, à la réglementation américaine en matière d'électricité (NEC). ANSI/NFPA 70 – dernière édition.



Avertissement – risque de basculement

Les enfants et les adultes peuvent faire basculer la cuisinière si celle-ci n'a pas été fixée au mur, ce qui pourrait entraîner des blessures mortelles. Pour réduire le risque de basculement de l'appareil, celui-ci doit être fixé au moyen de dispositifs anti-basculement, conformément aux instructions d'installation.

Remettre en place les dispositifs anti-basculement après tout déplacement de la cuisinière. Ne pas utiliser la cuisinière si les dispositifs anti-basculement ne sont pas en place et enclenchés. Ne pas utiliser la cuisinière si les dispositifs anti-basculement n'ont pas été correctement installés et enclenchés. Pour plus d'informations, consulter les instructions d'installation.

Le non-respect des instructions d'installation peut occasionner des blessures graves, voire mortelles, aux enfants et aux adultes.

Ne PAS soulever la cuisinière par les poignées du four, car cela pourrait endommager les charnières de porte et entraîner une fermeture incorrecte de la porte.

Ne PAS soulever la cuisinière en la saisissant par le panneau de commande.

La cuisinière est lourde et doit être manipulée avec les soins nécessaires. Pour tout déplacement de la cuisinière, prévoir la présence d'au moins deux personnes dotées d'équipements adaptés, notamment des gants, afin d'éviter de se blesser ou d'endommager la cuisinière ou le sol.

Les bagues, montres et tout accessoire ample susceptible d'endommager la cuisinière ou de se coincer dans la cuisinière doivent être retirés.

Les surfaces cachées peuvent avoir des bords tranchants. Faire très attention en cas de contact avec l'arrière ou le dessous de la cuisinière.

Ne PAS positionner de diable ou de chariot sur l'avant ou l'arrière de la cuisinière. Le positionner sur le côté uniquement.

ÉTIQUETTE SIGNALÉTIQUE

L'étiquette signalétique indique le modèle et le numéro de série de la cuisinière. Elle se trouve sous le panneau de commande et à la dernière page de ce manuel.

AVANT L'INSTALLATION

- L'appareil doit être installé uniquement par un professionnel autorisé.
- Cet appareil doit être installé conformément aux instructions d'installation du fabricant.
- L'appareil doit être installé conformément aux normes et aux réglementations du pays d'installation.
- Une fois installé, l'appareil doit être raccordé à la terre conformément aux réglementations locales ou, en leur absence, à la réglementation américaine en matière d'électricité (NEC), ANSI/NFPA 70.

Toutes les ouvertures et les trous dans le mur et le plancher, derrière et sous l'appareil, doivent être scellés avant l'installation de celui-ci.

Ventilation de la pièce

Il convient d'associer un ventilateur extracteur à l'appareil. Celui-ci doit être installé conformément aux normes locales et nationales en vigueur. Le fonctionnement d'une hotte aspirante peut avoir une incidence sur d'autres appareils de ventilation. Elle doit être installée conformément aux normes locales et nationales en vigueur.

Avertissement

Cet appareil ne doit pas être installé avec un système de ventilation qui dirige l'air vers le bas, en direction de la cuisinière. Ce type de système de ventilation peut entraîner des incendies et des problèmes de combustion, avec pour conséquences des blessures, des dommages aux biens et un fonctionnement non maîtrisé. Il n'existe pas de restrictions concernant les systèmes de ventilation qui dirigent l'air vers le haut.

Ne pas utiliser de sprays aérosols à proximité de l'appareil en fonctionnement.

PRÉPARATION DE LA VENTILATION

Cette cuisinière a un fonctionnement optimal en cas d'installation avec une hotte d'extraction Bertazzoni. Ces hottes, conçues pour être associées à la gamme Bertazzoni, offrent un aspect impeccable grâce à leur finition identique. Avant d'installer la hotte d'extraction, consulter les réglementations locales ou régionales en matière de construction et d'installation pour connaître les critères spécifiques aux espaces de dégagement. Pour plus d'informations, se reporter aux instructions d'installation de la hotte fournies par le fabricant.

Choisir les modèles de hotte et de ventilateur :

- En cas d'installation murale, la hotte doit présenter une largeur au moins égale à celle de la cuisinière. Lorsque l'espace le permet, il peut être souhaitable d'installer une hotte plus large que la cuisinière, pour une meilleure ventilation.
- En cas d'installations autonomes, la largeur de la hotte doit dépasser celle de la cuisinière d'au moins 3" (76 mm) de chaque côté.

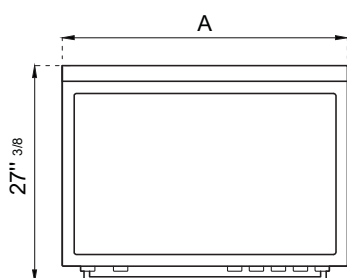
Positionnement de la hotte :

- Pour une meilleure extraction des fumées et des odeurs, le bord inférieur de la hotte doit se trouver entre 25 1/2" (65 cm) et 31 1/2" (80 cm) au-dessus de la surface de cuisson de la cuisinière.
- Si la hotte contient des matériaux combustibles (par ex. parement en bois), elle doit être installée à au moins 36" (914 mm) au-dessus de la surface de cuisson.

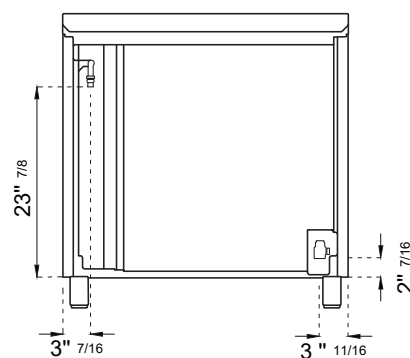
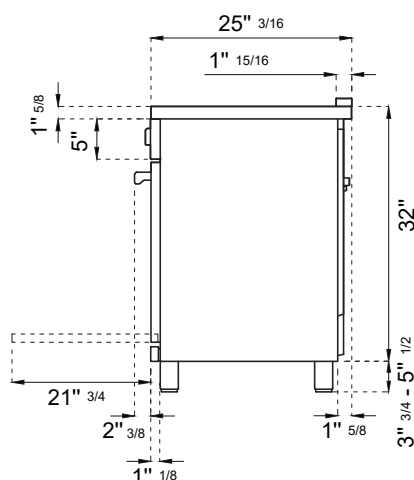
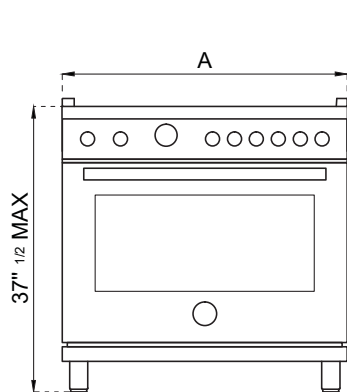
Air d'appoint :

En présence d'un volume élevé d'air de ventilation, il est recommandé de disposer d'une source d'air de remplacement extérieur. Cela est particulièrement important pour les habitations fermées hermétiquement et fortement isolées. Consulter une entreprise de chauffage et de ventilation qualifiée.

SPÉCIFICATIONS



A		
30"	36"	48"



ESPACE DE DÉGAGEMENT

Installation adjacente à des meubles de cuisine

Cette cuisinière peut être installée à proximité directe de plans de travail avec meubles intégrés (36" ou 91,5 cm par rapport au sol).

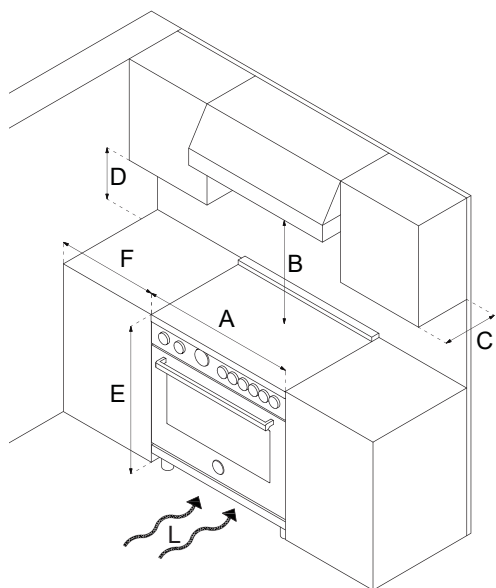
Pour un aspect optimal, la surface de la cuisinière doit être au même niveau que celle du plan de travail avec meuble intégré. Pour ce faire, régler la hauteur de l'appareil en agissant sur les dispositifs de réglage des pieds.

ATTENTION : la cuisinière NE DOIT PAS être installée à proximité directe des murs de la cuisine, de meubles ou d'appareils hauts, ou d'autres surfaces verticales de plus de 36" (91,4 cm) de hauteur. Dans ces cas, l'espace latéral doit être d'au moins 6" (15,2 cm).

Les meubles muraux présentant cet espace latéral minimum doivent être installés à 18" (45,7 cm) au-dessus du plan de travail, avec une hauteur de plan de travail comprise entre 35 1/2" (90,2 cm) et 37 1/4" (94,6 cm). La profondeur maximale des meubles muraux au-dessus de la cuisinière doit être de 13" (33 cm).

Meuble de cuisine

A	30" (76,2 cm)
B	36" (91,5 cm) hotte avec matériaux combustibles
C	13" (33,0 cm)
D	18" (45,7 cm)
E	35" 1/2(90,2 cm) / 37" 1/4 (94,6 cm)
F	6" (15,2 cm)

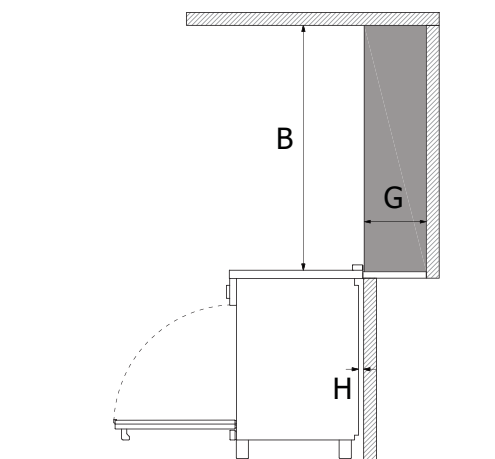


En cas d'installation de toekick, vérifiez que la somme des zones de découpe correspond à la ventilation recommandée (L)

30"	surface 40 sq. inches	(25840 mm ²)
36"	surface 51 1/2 sq. inches	(33107 mm ²)
48"	surface 73 1/2 sq.inches	(47547 mm ²)

Hotte métallique

A	30" (76,2 cm)
B	25 1/2"(65 cm) et 31 1/2" (80 cm)
C	13" (33,0 cm)
D	18" (45,7 cm)
E	35" 1/2(90,2 cm) / 37" 1/4 (94,6 cm)
F	6" (15,2 cm)
G	12"(30,50 cm)
H	1" 9/16(4 cm)



La zone grisée derrière la cuisinière indique l'espace minimum à respecter par rapport à la surface de cuisson. Aucun matériau combustible ne doit se trouver dans cette zone.

12" (305 mm) min. par rapport aux surfaces combustibles avec garniture affleurante.

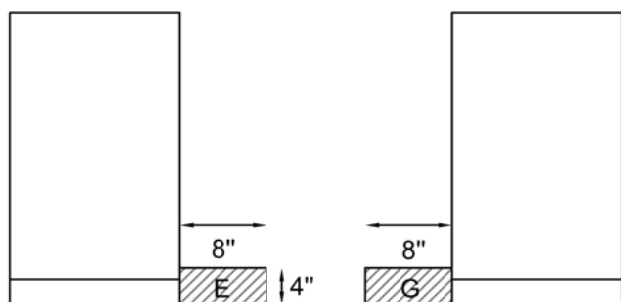
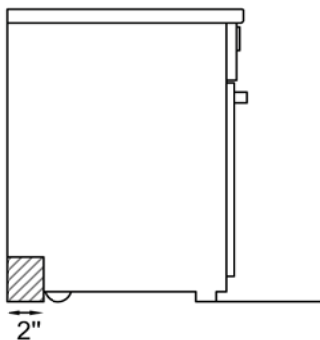
Pour des installations autonomes, la surface de travail doit être dotée d'un bord saillant faisant la jonction avec la partie arrière de la garniture.

CONDITIONS D'INSTALLATION

ÉLECTRICITÉ

Une prise électrique montée horizontalement et correctement mise à la terre doit être installée à une hauteur maximale de 3" (7,6 cm) et minimale de 2" (5 cm) par rapport au sol, et à une distance maximale de 8" (20,3 cm) par rapport au côté gauche du produit (en lui faisant face).

Vérifier les dispositions des réglementations locales.



 zone réservée au branchement

RACCORDEMENT ÉLECTRIQUE

DANGER !

RISQUE DE DÉCHARGE ÉLECTRIQUE !

Couper l'alimentation électrique au niveau du disjoncteur ou du tableau à fusibles avant d'installer l'appareil.

L'appareil doit être correctement mis à la terre. Utiliser uniquement des conducteurs en cuivre.

Le non-respect de ces instructions pourrait entraîner de graves blessures, voire la mort.

Mise à la terre

L'appareil est équipé d'une prise à trois broches qui garantit une protection contre les décharges électriques. Elle doit être branchée directement à une prise murale correctement mise à la terre. Ne pas couper ou retirer la broche de terre de cette prise.

Attention

Étiqueter chaque câble avant de les débrancher pour effectuer des contrôles d'entretien. Des erreurs de câblage peuvent entraîner un fonctionnement incorrect et dangereux.

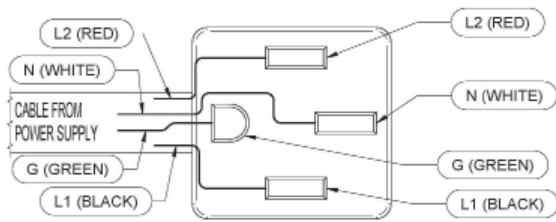
Vérifier le bon fonctionnement de la cuisinière après l'entretien.

L'appareil sera branché à un système électrique monophasé à 120/208 Vca ou 120/240 Vca, fréquence de 60 Hz.

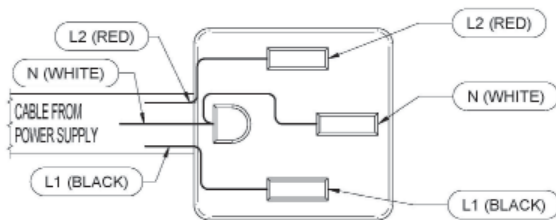
Type	Vca	évaluation	Fournit. électrique
30" IND-DFM	120/208V	10300W 46A	40A
	120/240V	11000W 48A	40A
30" IND-DFS	120/208V	11700W 53A	40A
	120/240V	13000W 56A	40A
36" IND-DFM	120/208V	14000W 62A	40A
	120/240V	14800W 64A	40A
36" IND-DFS	120/208V	15600W 70,5A	50A
	120/240V	17000W 73,5A	50A

Brancher un réceptacle d'alimentation électrique adapté à l'aide d'une prise type NEMA 14-50R, capable de supporter une charge d'au moins 30 A (par ligne), conformément aux exigences applicables des codes locaux (système de connexion d'alimentation à trois ou quatre fils) ; voir schémas.

RECEPTACLE DE CONNEXION A QUATRE FILS (NEMA 14-50R)



RECEPTACLE DE CONNEXION A TROIS FILS (NEMA 14-50R)



Vérifier les exigences applicables des codes locaux de votre pays, pour voir laquelle des options ci-dessous devra être utilisée pour relier les connexions d'alimentation du réceptacle à la terre :

OPTION 1 – Connexion à QUATRE fils :

- Connecter la borne L1 du réceptacle au câble d'alimentation électrique entrant NOIR (L1-fil chaud)
- Connecter la borne L2 du réceptacle au câble d'alimentation électrique entrant ROUGE (L2-fil chaud)
- Connecter la borne NEUTRE du réceptacle au câble d'alimentation électrique entrant NEUTRE (BLANC)
- Connecter la borne de TERRE du réceptacle au câble d'alimentation électrique de TERRE (VERT)

OPTION 2 – Connexion à TROIS fils :

- Connecter la borne L1 du réceptacle au câble d'alimentation électrique entrant NOIR (L1-fil chaud)
- Connecter la borne L2 du réceptacle au câble d'alimentation électrique entrant ROUGE (L2-fil chaud)
- Connecter la borne NEUTRE et la borne de TERRE du réceptacle au câble d'alimentation électrique entrant NEUTRE (BLANC)

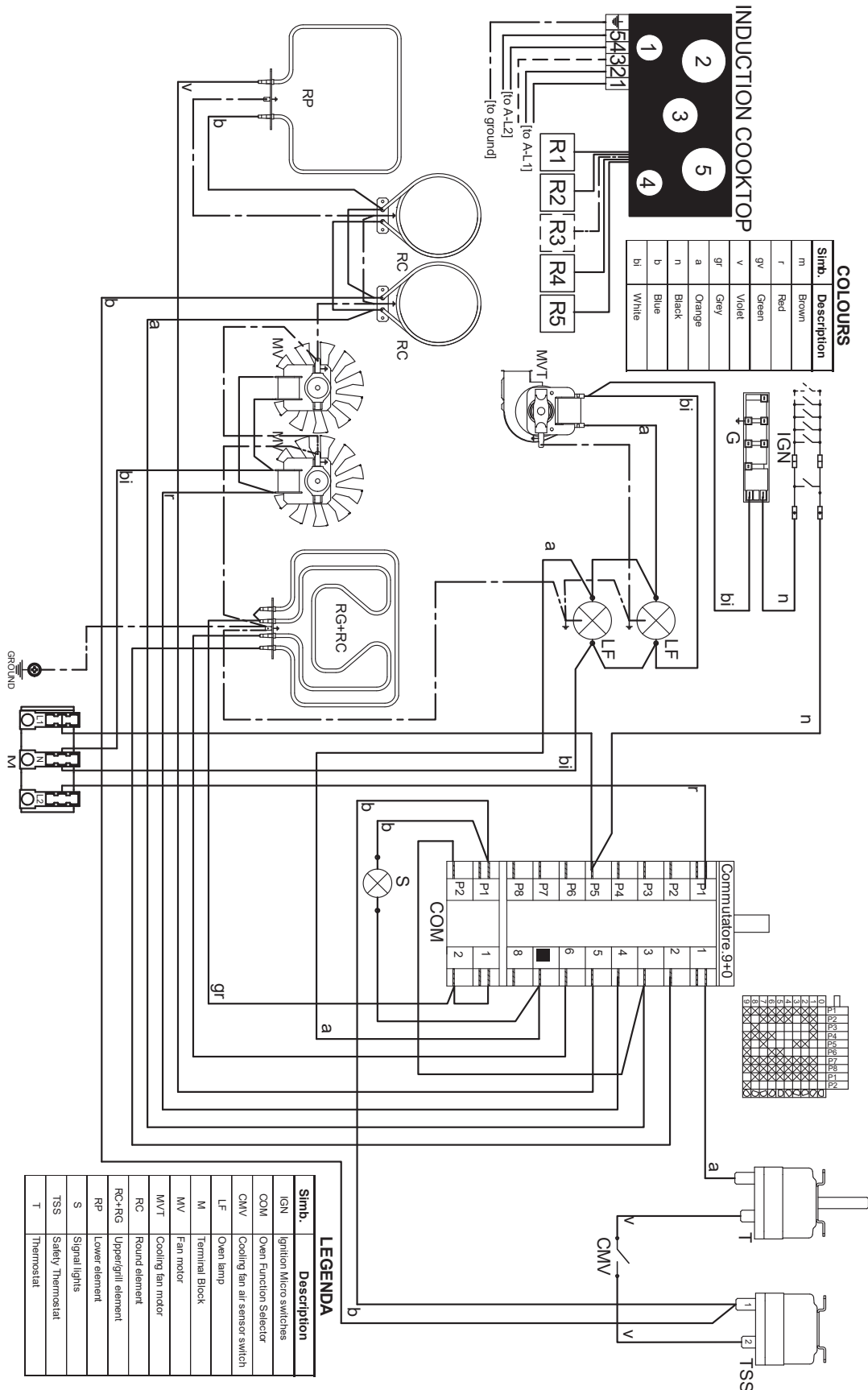
NE PAS UTILISER DE RALLONGE AVEC CET APPAREIL. LE FAIRE PEUT ENTRAINER UN INCENDIE, UN CHOC ELECTRIQUE OU AUTRE DOMMAGE CORPOREL.

L'appareil est fourni avec un cordon d'alimentation à 4 fils avec des bornes à anneau (L1, L2, N, Terre), adapté pour des usages conformes aux normes UL/CSA indiquées (type SRDT/DRT 2 x 6 AWG (L1, L2) + 2 x 8 AWG (N, Terre)), d'une puissance nominale de 300 V , 40 ou 50 A avec une prise enfichable type NEMA 14-50P ; câble de 1,5 m de long ; si le cordon d'alimentation doit être remplacé, il le sera par un cordon identique qui aura les mêmes caractéristiques techniques et en suivant scrupuleusement les instructions (et schémas) ci-dessous :

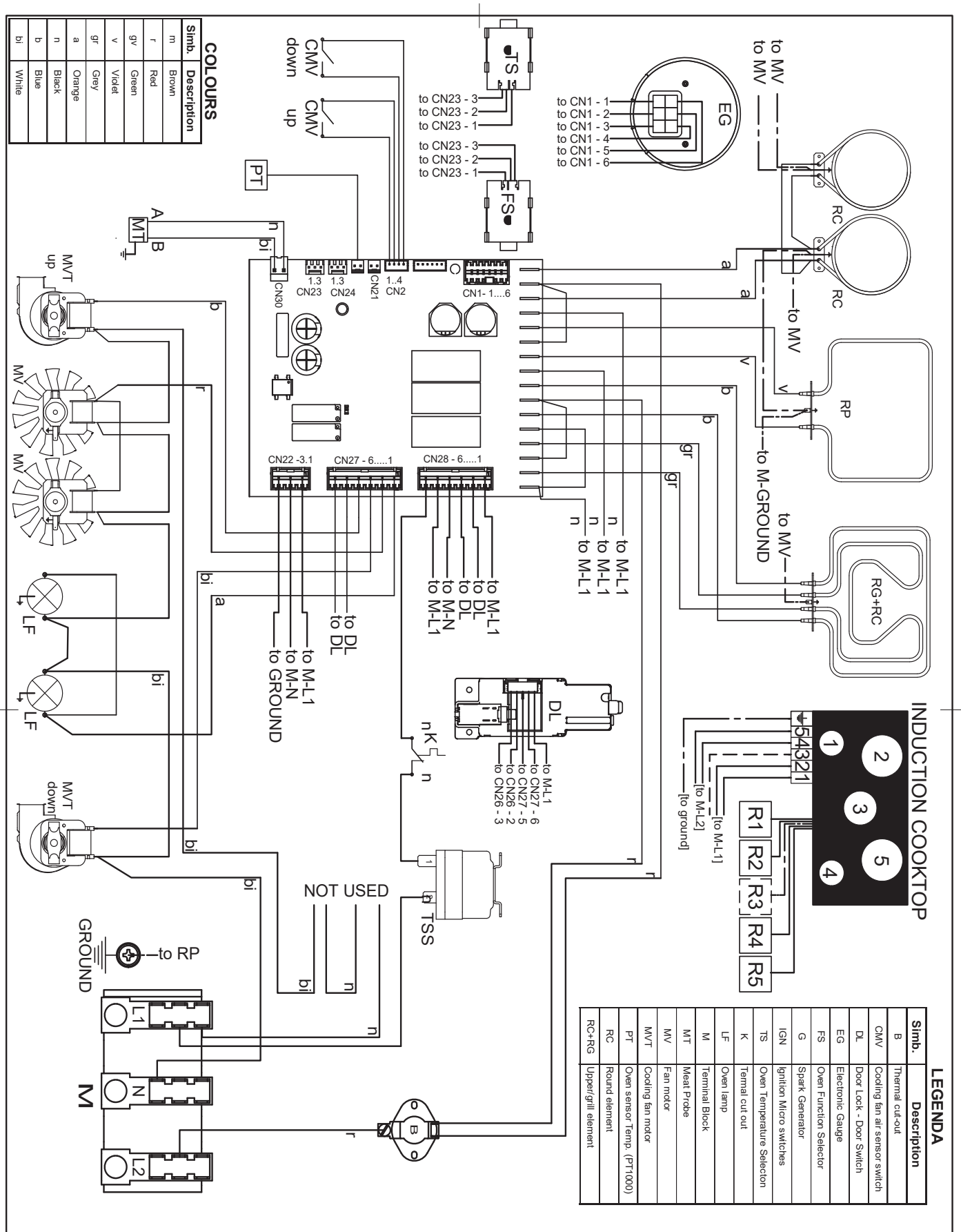
SCHÉMA DE CÂBLAGE

Les schémas de câblage électrique figurent à l'arrière de la cuisinière et ne peuvent être retirés que par un technicien de maintenance, qui doit les remettre en place une fois l'entretien réalisé.

DFM



DFS



INSTALLATION

INSTALLATION DE L'APPAREIL

Déballage de la cuisinière

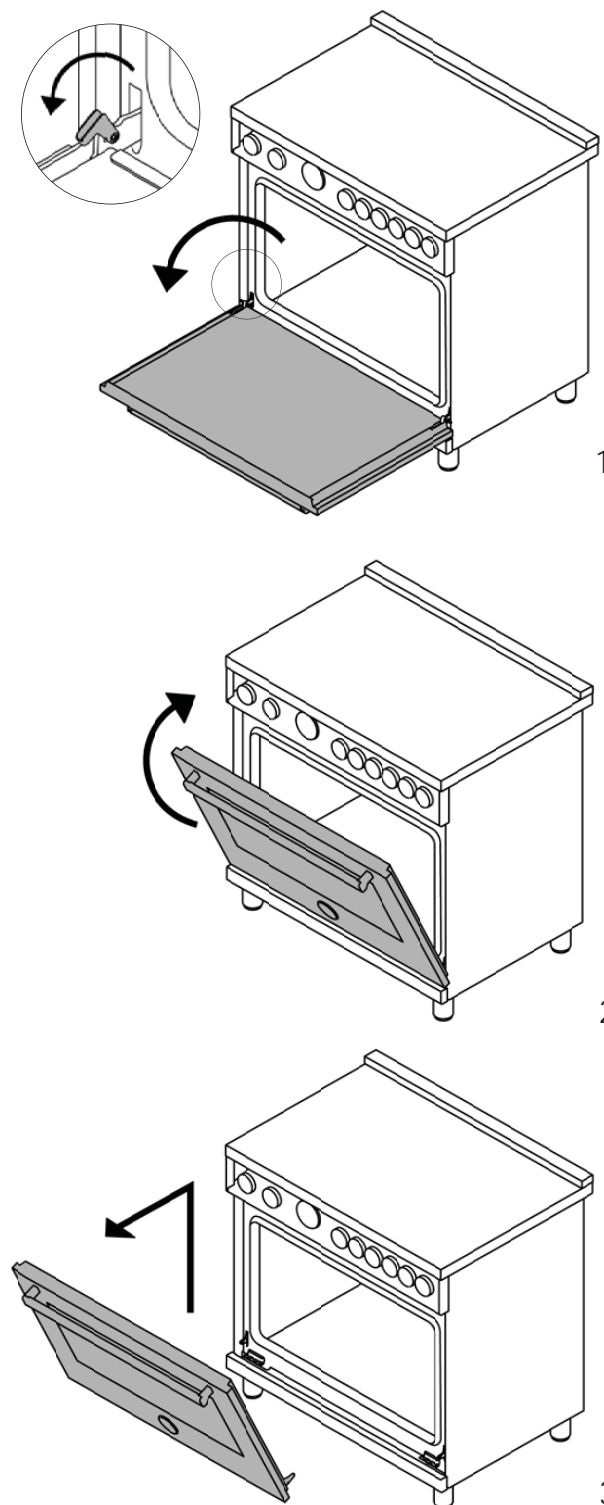
- Retirer tous les matériaux d'emballage de la palette d'expédition sans toucher à la mousse postérieure adhésive sur les surfaces en métal brossé, afin de protéger la cuisinière des rayures jusqu'à son installation à son emplacement final. Ne retirer que le film protégeant les panneaux latéraux avant de positionner la cuisinière entre les meubles de cuisine.
- Examiner la cuisinière après l'avoir déballée. En cas de dommage résultant du transport, ne pas la brancher. Prendre des photos du dommage et en informer immédiatement le transporteur.
- Retirer la ou les portes du four. Cela réduira le poids de la cuisinière.
- Retirer les grilles, plaques et chapeaux des brûleurs pour faciliter le déplacement de la cuisinière.
- Avant de la déplacer, protéger le sol pour éviter tout dommage.

RETRAIT DE LA PORTE DU FOUR

Préparer la porte en vue de son retrait. Rabattre les fixations sur chaque charnière de porte. Fermer lentement la porte jusqu'à ce que la fixation saillante ne bloque le mouvement.

Tirer la porte vers le haut et la retirer.

Ne pas soulever ou tirer la porte par sa poignée !
Cela pourrait endommager les charnières.



INSTALLATION DES PIEDS

Les cuisinières Bertazzoni ne doivent être utilisées qu'une fois leurs pieds correctement installés.

Quatre pieds réglables en hauteur sont fournis avec la cuisinière dans le conteneur en polystyrène placé sur le dessus de l'appareil.

Avant d'installer les pieds, positionner la cuisinière à proximité de son emplacement final ; les pieds ne doivent pas être utilisés pour la déplacer sur de longues distances.

Après avoir déballé la cuisinière, la soulever suffisamment afin de pouvoir insérer les pieds dans les logements correspondants situés sous l'appareil. Abaisser lentement la cuisinière pour éviter toute sollicitation excessive sur les pieds et le matériel de montage. Si possible, utiliser une palette ou un cric plutôt que de faire basculer la cuisinière.

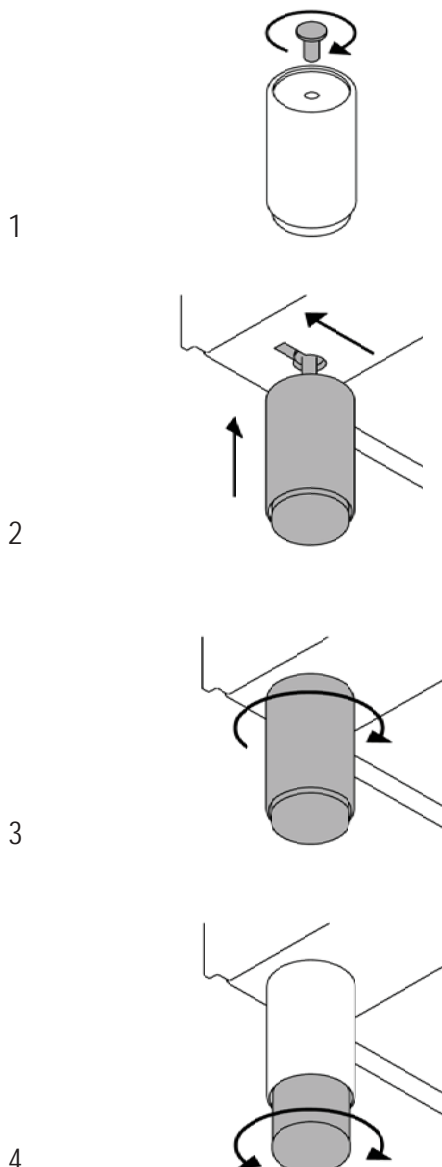
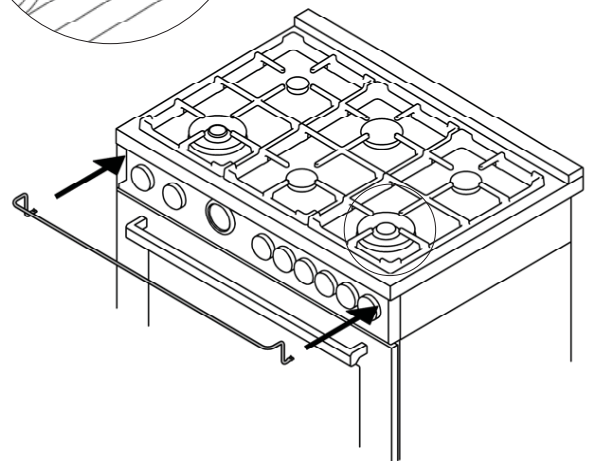
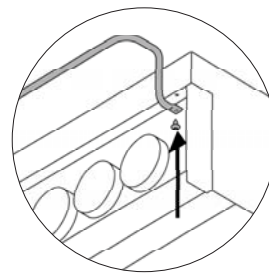
Régler la hauteur des pieds au niveau souhaité en tournant la partie interne du pied. À l'aide d'un niveau, vérifier que la surface de cuisson est parfaitement plane.

INSTALLATION DE LA PROTECTION FRONTALE DE LA SURFACE DE CUISSON

Afin d'augmenter l'espace entre le bord frontal de la surface de cuisson et les brûleurs, il est possible d'installer la protection frontale fournie avec la cuisinière.

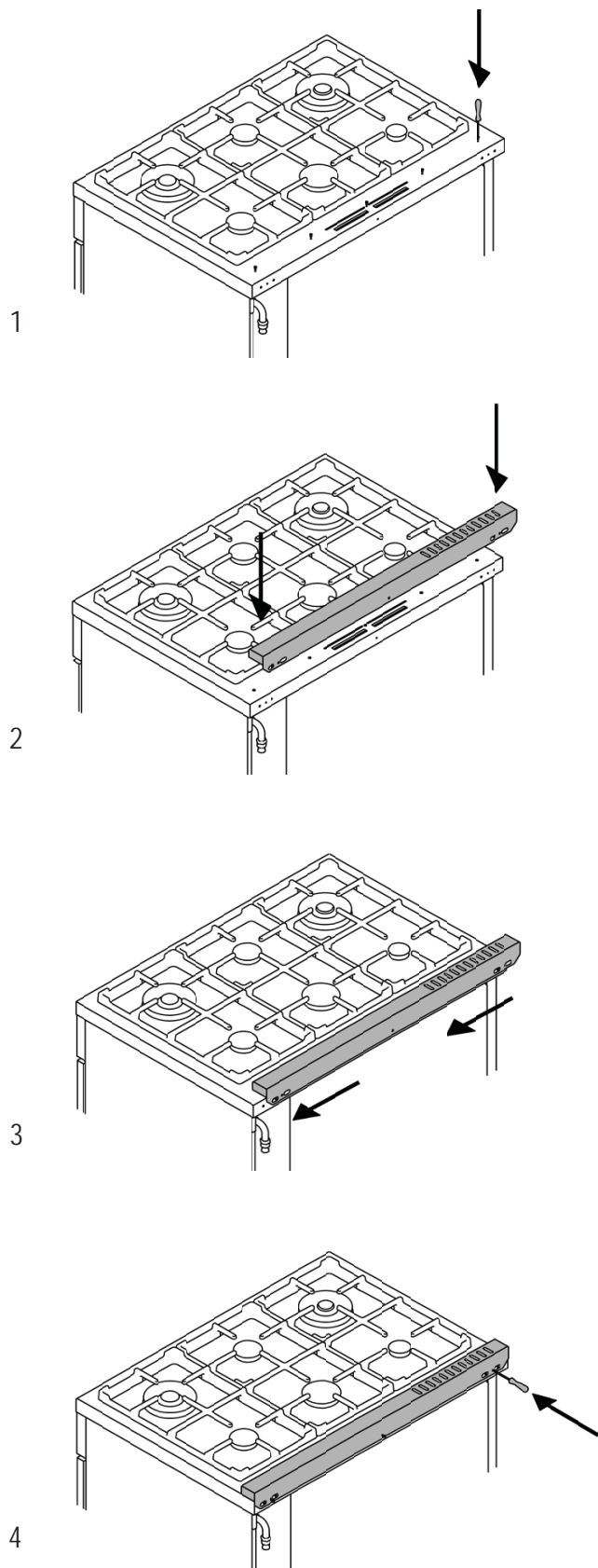
Pour installer la protection frontale :

- Repérer les deux trous de fixation aux extrémités de la protection frontale.
- Repérer les deux trous de fixation sous le rebord de la surface de cuisson.
- Fixer la protection frontale avec les 2 vis fournies.



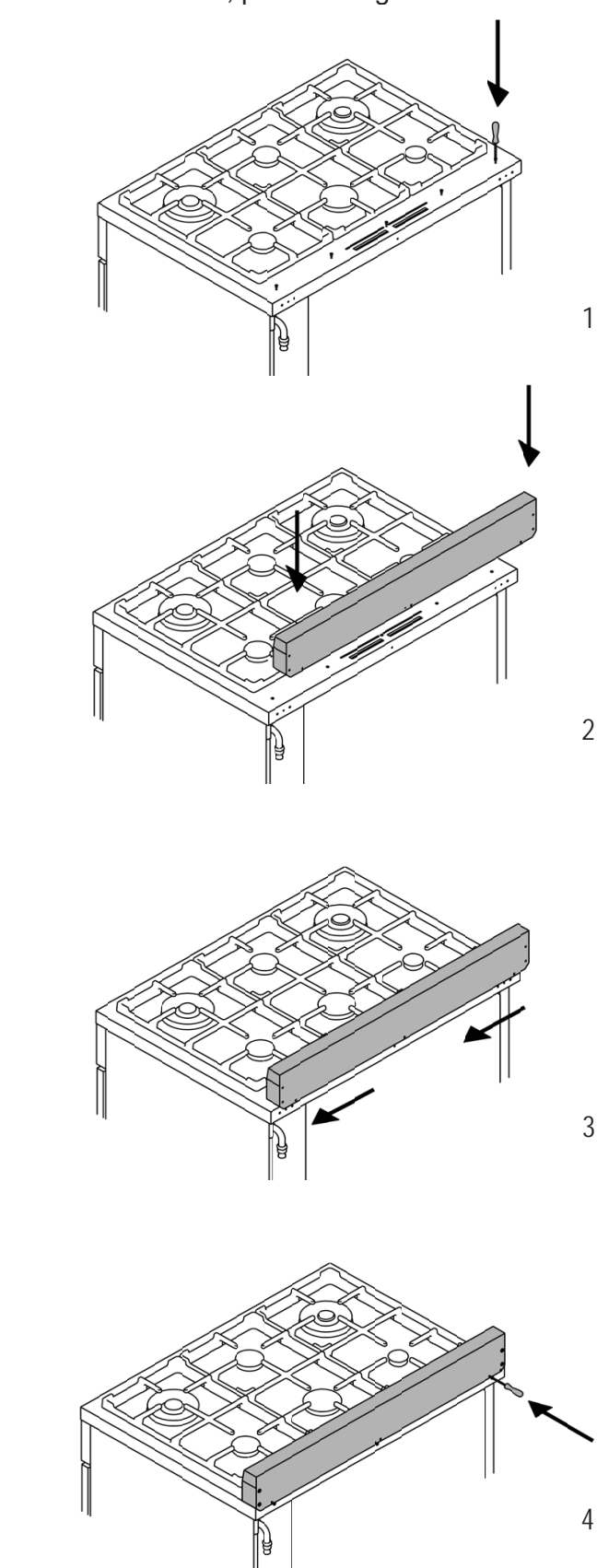
INSTALLATION DE LA GARNITURE

La garniture doit être installée avant toute utilisation de la cuisinière afin de garantir la ventilation appropriée du compartiment du four. La garniture est uniquement positionnée sur la surface de cuisson. Retirer tous les rubans et matériaux d'emballage avant son installation. Avant l'installation, portez des gants de sécurité.



INSTALLATION DE LA PROTECTION ARRIÈRE (EN OPTION)

La protection arrière doit être installée avant toute utilisation de la cuisinière afin de garantir la ventilation appropriée du compartiment du four. La protection arrière est un équipement en option. Contactez votre revendeur pour vous la procurer. Avant l'installation, portez des gants de sécurité.



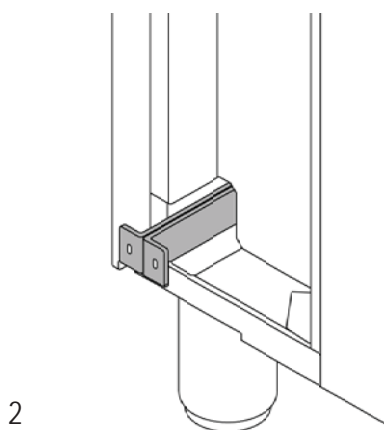
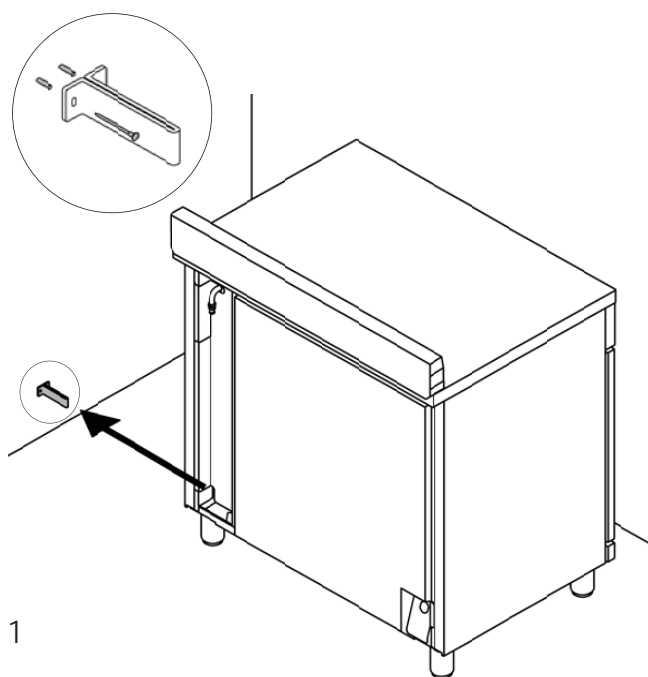
INSTALLATION DES DISPOSITIFS ANTI-BASCULEMENT

SUPPORTS ANTI-BASCULEMENT

Les supports anti-basculement fournis avec la cuisinière doivent être correctement fixés au mur postérieur, comme indiqué sur la figure ci-dessous.

La hauteur correcte des supports est déterminée après avoir réglé les pieds de la cuisinière et une fois celle-ci nivelée.

- Mesurer la distance entre le sol et le bas du logement du support anti-basculement à l'arrière de la cuisinière.
- Positionner les supports anti-basculement sur le mur à la hauteur souhaitée plus $1/8''$ (0,32 cm). Les supports doivent être positionnés à $2''5/16$ (6,0 cm) par rapport au côté de la cuisinière.
- Fixer les supports au mur à l'aide d'outils adaptés.
- Faire glisser la cuisinière contre le mur jusqu'à ce que les supports soient complètement insérés dans leurs logements à l'arrière de la cuisinière.



CHAÎNE ANTI-BASCULEMENT

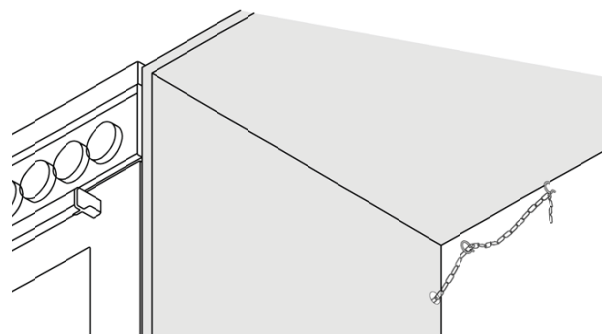
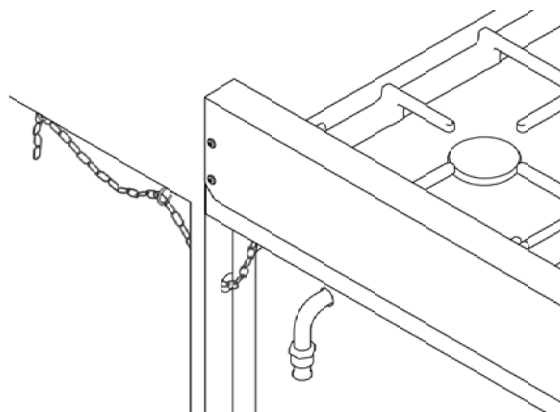
La chaîne anti-basculement doit être fixée au côté gauche ou droit, selon les instructions ci-après.

Tirer la chaîne manuellement à travers l'anneau et l'insérer dans le crochet.

Défaire la chaîne avant tout déplacement de la cuisinière en vue d'une opération d'entretien.

Attention :

Une fois les opérations d'entretien terminées, les dispositifs anti-basculement (supports et chaîne) doivent être remis en place conformément aux instructions ci-dessus.



ANNEAU

CROCHET

LISTE DE CONTRÔLE POUR L'INSTALLATION

PRÉPARATION FINALE

Un installateur qualifié devra réaliser les contrôles suivants :

- La cuisinière est-elle installée sur ses pieds ?
- La garniture ou la protection arrière est-elle fixée conformément aux instructions fournies ?
- Les dispositifs anti-basculement sont-ils correctement installés ?
- Le dégagement par rapport aux surfaces des meubles est-il conforme aux consignes du fabricant ?
- Le raccordement à la terre a-t-il été correctement réalisé ?

- Avant d'utiliser le four, retirer tout film protecteur éventuellement présent sur les surfaces en acier inoxydable.
- Toutes les parties du corps en acier inoxydable doivent être nettoyées avec de l'eau chaude savonneuse et un détergent liquide adapté à l'acier inoxydable.
- En présence de dépôts, ne pas utiliser de laine d'acier, de linges abrasifs, de produits ou de poudres nettoyants.
- Si l'acier inoxydable doit être gratté pour en retirer les incrustations, mouiller avec un chiffon humide et chaud pour ramollir le dépôt, puis utiliser une raclette en bois ou en nylon.
- Ne pas utiliser de couteau, de spatule ou tout autre ustensile en métal pour gratter l'acier inoxydable ! Les rayures sont très difficiles à enlever.
- Avant d'utiliser le four pour la préparation de nourriture, nettoyer minutieusement la cavité avec une solution d'eau chaude et de savon afin d'éliminer les résidus de matériaux d'emballage et tout débris ou poussière résultant de l'installation, puis rincer et sécher.

Attention !

Lors de la première utilisation du four, celui-ci doit être mis en marche pendant 15-30 minutes à une température d'environ 500°F/260 °C (four principal) ou 440°F/227 °C (four auxiliaire) sans rien cuire à l'intérieur, afin d'éliminer les éventuelles moisissures et odeurs d'isolation interne.

ASSISTANCE BERTAZZONI

Bertazzoni s'engage à fournir le meilleur service clients et la meilleure assistance produits possibles. Notre équipe de professionnels dévoués et formés répondra à vos besoins.

Si vous disposez d'un appareil Bertazzoni et souhaitez bénéficier d'une assistance aux États-Unis ou au Canada, utilisez les coordonnées suivantes :

e-mail : aftersaleservice@bertazzoni.com

Tél. - Lundi au vendredi,
7h30 à 19h30 EST (sauf jours fériés aux États-Unis).

États-Unis

866-905-0010

OUEST DU CANADA 866-905-0010 (BC, AB, SK, MB)

EST DU CANADA 800-561-7265 (ON, QC, NL, NB, NS, PE)