

JET-TECH

| | |
|---------------|------|
| Project name: | |
| Location: | |
| Item: | Qty: |
| Model: | |



757E

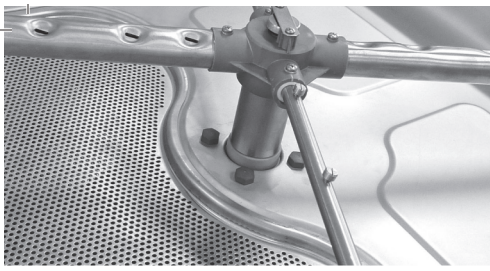
HIGH-TEMP DOOR TYPE DISHWASHER
ELECTRONIC SERIES

- **ThermoStop™ System** – Guarantees 185F (85C) final rinsing temperature, regardless of incoming water temperature
- **OneGO™** – Our electronic control system featuring intelligent software LED interface and multiple function analysis. OneGO™ soft touch buttons allows you to run a selection of four different cycles, all in one easy touch!
- **SmartSelf diagnostics** – have all necessary advanced service diagnostics information at your fingertips!
- **EasyGO** – Our 'soft-start' washing system protects your valuable dishes and glassware from any chippage or breakage
- **EnergyStar** qualified – extremely low water and electrical consumption maximizing your profits
- Model 757E is fully equipped with a built-in booster for high temperature rinse water and automatic peristaltic pumps for both liquid detergent and rinse-additive.

OPTIONS:

- Pressure reducing valve (PRV)
- Drain water tempering kit



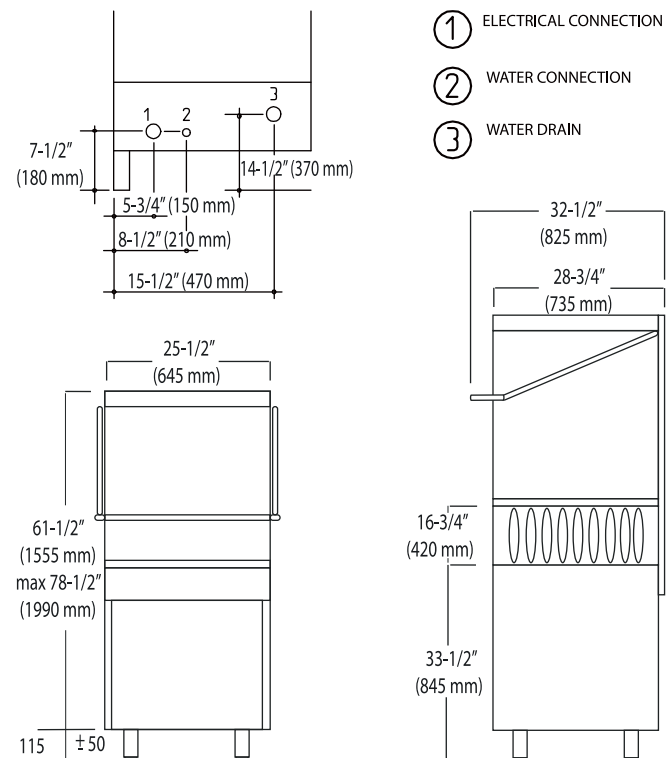


CONSTRUCTION FEATURES

- Body, external housing, wash tank and all chassis component in brushed stainless steel - type AISI 304 16 gauge
- Upper and lower wash and rinse jets on revolving arms constructed of stainless steel; easy to remove and clean without the need for tools
- Adjustable bullet-style feet
- Safety two-way automatic micro-switch on the door controlling the operation of the wash motor-pumps
- Independently-operated heating elements alternating between booster and wash tank
- Alternating heating resistors reducing maximum absorption thereby reducing energy costs
- Inner washing chamber with coved corners and one-piece stamped wash tank provides user with the most sanitary environment. Our recessed wash tank makes the 757E ideally suited for marine applications.
- Unique stainless steel rack support glide system allows operator to easily change from in-line to corner application
- Door opening with overall clearance of 16.75 in. (425 mm) with ergonomic door handle
- Automatic fill and water level regulation of the wash tank
- Wash pumps are protected with double scrap filters easy to remove for quick cleaning and proper maintenance
- Machine can be installed either as an in-line or corner application with simple field modification
- Front mounted electronic control panel with digital temperature displays
- Standard equipment includes : One open combination rack and one peg dish rack 19.75" x 19.75" (500 mm x 500 mm)

TECHNICAL FEATURES

- **Rack capacity:** 19.75" x 19.75" (500 mm x 500 mm)
- **Total cycle:** 1-2-3-4 minutes
- **Hourly production:** 60/30/20/15 racks/hr. (1080/540/360/270 dishes/hr.)
- **Wash tank capacity:** 5.25 U.S. Gallons (20 Litres)
- **Booster capacity:** 2.62 U.S. Gallons (10 Litres)
- **Wash temperature:** 150°F (65°C) minimum / controlled electronically
- **Final rinse temperature:** 185°-194°F (85°-90°C.) minimum / controlled electronically
- **Incoming water temperature:** Minimum 122°F. (50°C.)
- **Incoming water pressure:** 30 p.s.i. (2 bar)
- **Water consumption per cycle @ 30 psi:** 0.74 U.S. Gallons (2.8 Litres)
- **Washing pump power:** Two individual motor-pumps each of 0.75 H.P. for total of 1.5 H.P.
- **Power supply:** 208V/60HZ
- **Tank heating element:** 4.0 KW
- **Booster heating element:** 9.0 KW
- **Maximum power rating:** 10.0 KW - 48.0 amps (single phase) 28.5 amps (three phase)
- **Machine weight:** 308 lbs. (140 kg.)
- **Ship weight:** 340 lbs. (154.5 kg.)



MVP GROUP CORP.

5659 Royalmount Ave., Montreal, Qc, Canada H4P 2P9

TEL: (514) 737-9701 - TOLL FREE: (888) 275-4538

FAX: (514) 342-3854 - TOLL FREE FAX: (877) 453-8832

www.mvpgroupcorp.com - sales@mvpgroupcorp.com

JET-TECH is a registered trade mark of MVP Group.
Specifications subject to change without notice.

WARRANTY: 1 year parts and labor. Certain conditions apply. See Owner's Manual for details.