

REF36PIXL

REFRIGERATOR 36" BUILT-IN BOTTOM MOUNT STAINLESS STEEL
LEFT SWING DOOR



True flush installation with proprietary 'Lift & Swing' hinges, ensuring perfect door balance and requiring minimal clearance from adjacent cabinets

All metal construction inside and out for longer durability and optimized insulation for max cold retention

Precise temperature control for optimal food preservation: lateral airflow system, powered by dual variable-speed compressors and dual evaporators, reduces cold loss when opening door

FlexMode control to set temperature in lower compartment as Freezer (<32F), Fresco (30-34F) or Fridge (38-42F)

Automatic custom ice maker with control over ice cube size

Integrated water filter located in the low temperature section ideal for hygienically clean drinking water and ice

Digital LED touch interface with user-friendly controls for temperature, humidity, speed-freeze and ice making

Choose Professional or Master Series handle kit to match your other Bertazzoni kitchen appliances

PRODUCT FEATURES

Style	Stainless steel bottom mount
Interior finish	White aluminum
User interface	Digital LED touch interface
Lighting	Top and sidewall LED lights
Refrigerator shelves	2 full-width and height-adjustable
Refrigerator crispers	2 soft-close metal drawers
Freezer compartment	FlexMode control to set temperature as Freezer (-32F), Fresco (30-34F) or fridge (38-42F)
Door storage	3 height-adjustable bins
Ice maker	Automatic with customizable ice cube size producing up to 3 lbs/24 hr
Programs	Max Cool Fridge – Super-Ice – Beverage Cooler - Ice Size – Sabbath Mode Vacation Mode

INTERIOR CAPACITY

Total volume	17.7 cu.ft
Refrigerator	14 cu.ft
Freezer	3.7 cu.ft

TECHNICAL SPECIFICATIONS

Voltage, Frequency, Amps	115V 60 Hz - 5 Amps 550W
DOE Compliant	YES – 580 kWh/yr
Power connection	120V 3-prong plug with 98" cord
Water connection	1/4" waterline with accessible shut-off valve
Water supply pressure	Min 0.05 MPa (0.5Bar) Max 0.5 MPa (5 Bar)
Certification	ETL
Warranty	2 years parts & labor - Sealed systems: 5 years labor, 12 years parts

Packaging dimensions and weight	W 37 3/8" H 89" D 31 1/2" Weight 650 lbs
--	--

ACCESSORIES

PROHK36PI	Handle kit for 36" built-in refrigerator PROFESSIONAL SERIES
MASHK36PI	Handle kit for 36" built-in refrigerator MASTER SERIES
901470	Connection trim for side-by-side installation of stainless steel built-in refrigerators
Z310001	Replacement water filter



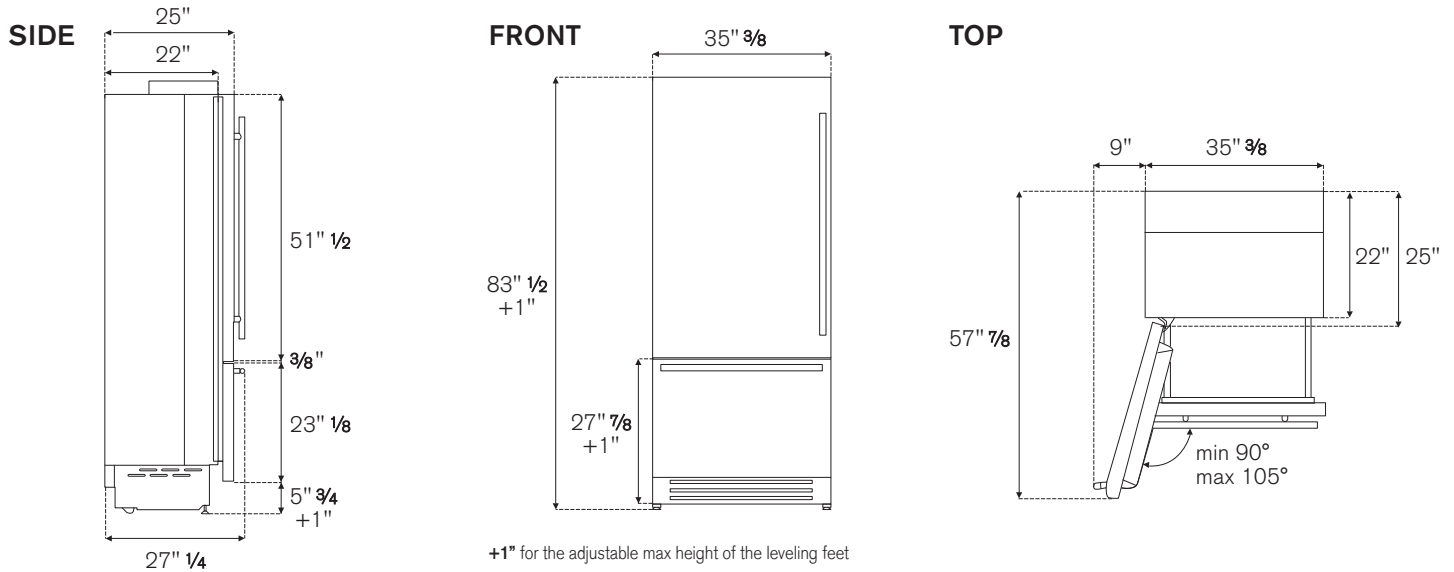
REF36PIXL+PROHK36PI



REF36PIXL+MASHK36PI

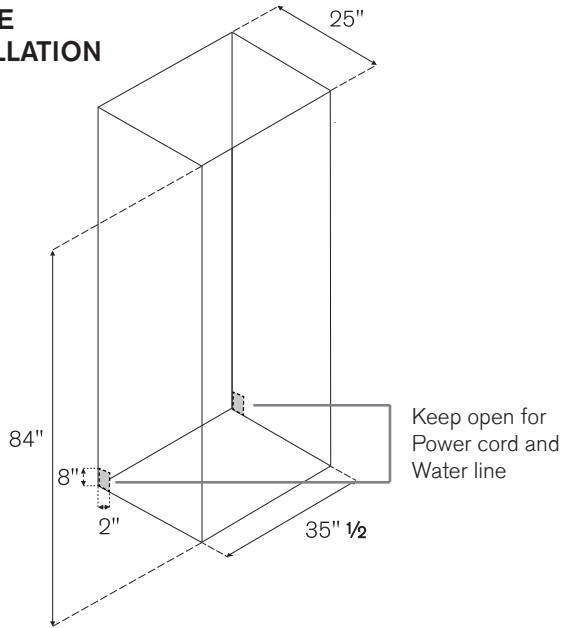
REF36PIXL

REFRIGERATOR 36" BUILT-IN BOTTOM MOUNT STAINLESS STEEL
LEFT SWING DOOR

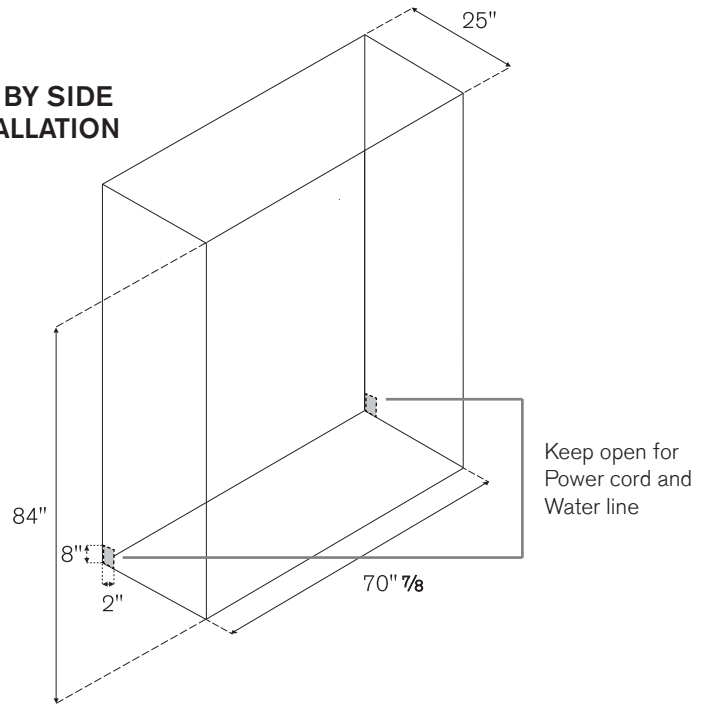


CUTOUT DIMENSIONS

SINGLE INSTALLATION

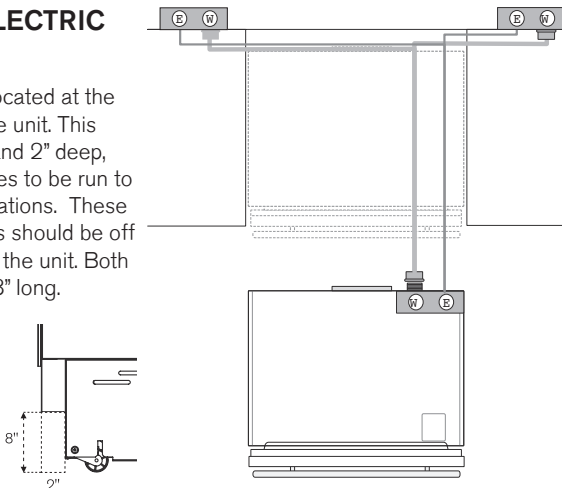


SIDE BY SIDE INSTALLATION



WATER & ELECTRIC LINES:

Both lines are located at the back base of the unit. This area is 8" high and 2" deep, which allows lines to be run to their service locations. These service locations should be off to either side of the unit. Both lines are 98 3/8" long.



WATER HOOKUP:

Unit comes with 1/4" to 3/4" elbow adapter. Use John Guest quick connect (push fitting) 1/4" to 3/4" metric threaded NPT. Standard GHT (Ex: stainless braided) cannot be substituted due to risk of cross threading

