

DATA SHEET

Art.nr.:
ZB100254

ONEPOLE Anchorframe 400 C/C 160 MM

Q13YB | GTIN: 7090037705132

HS-Code: 730830009

Country of origin

China

Material

Steel

Color

Gray

Surface treatment

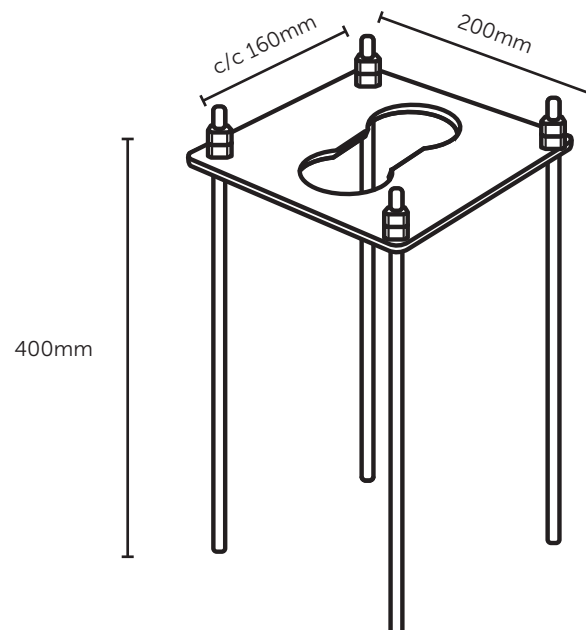
Hot-dip galvanized, powdercoated

Weight

4,5kg



Technical drawing



ONE SYSTEM
ENDLESS POSSIBILITIES

Data sheet | 2022 | www.onepole.no

PRODUCED AND DESIGNED IN NORWAY 