



*Patented!
Rotating hand
chain guide*



Available in
explosion proof version.



Chain guide



High quality encapsulated ball bearings and sliding bushes for smooth and effortless operation.

Hand chain hoist model Yalelift 360

Capacity 500 - 20000 kg

Areas of operation as well as operator conditions have been improved far beyond those of a classical hand chain hoist.

Features

- The enclosed robust stamped steel housing protects all internal components even in the toughest conditions.
- The extremely low headroom allows maximum use of the lifting height.
- The revolutionary 360° rotating hand chain guide allows the operator to work from virtually any position, in confined spaces or above the load. The Yalelift can even be operated from the side of the load which also makes it possible to use the hoist for horizontal pulling or tensioning. Due to the additional flexibility, the operator is no longer forced to work in the danger zone near the load.
- The brake system is extremely quiet and guarantees operational safety and improved serviceability due to omission of the vulnerable ratchet pawls. All parts are made of high quality materials, additionally zinc-plated or yellow-chromated to increase corrosion prevention.
- Chain guide and gearbox are almost totally enclosed. Even under the toughest conditions the internal gearbox remains protected.
- The hardened load sheave with four precision machined pockets ensures accurate movement of the load chain.
- The surface protected zinc-plated alloy steel load chains fulfil all requirements of current national and international standards and regulations.
- Drop forged load and suspension hooks that yield under overload instead of breaking, are made of high tensile steel. The hooks are fitted with robust safety latches and rotate 360°.

Options

- Adjustable overload prevention device.
- Stainless steel load and hand chains.
- Chain container
- Corrosion resistant version
- Explosion proof version

! Easy modification from Yalelift 360
to Yalelift IT is possible.

Hand chain hoist model Yalelift 360 20t

Capacity 20000 kg

The brake system used in the Yalelift series is also employed in the Yalelift 360 20t, setting standards in terms of operational safety and serviceability. The brake is extremely quiet and wear resistant. In spite of its high capacity, the Yalelift 360 20t features a compact design.

Features

- All components are made of high quality materials, some components are zinc-plated or yellow-chromated for added corrosion protection. This ensures that also heaviest loads are held reliably.
- The enclosed robust stamped steel body resists in the toughest conditions and allows outside operation.
- The hardened load sheave with five precision machined pockets ensures accurate movement of the load chain.
- The low headroom (hook-to-hook dimension 1010 mm) allows maximum use of the lifting height.
- The Yalelift 360 20t is equipped with six chain falls only which results in higher speed and lower weight.

Options

- Adjustable overload prevention device.
- Stainless steel load and hand chains.
- Chain container
- Corrosion resistant version
- Explosion proof version



The robust stamped steel housing with four stay bolts is resistant to the toughest working conditions.



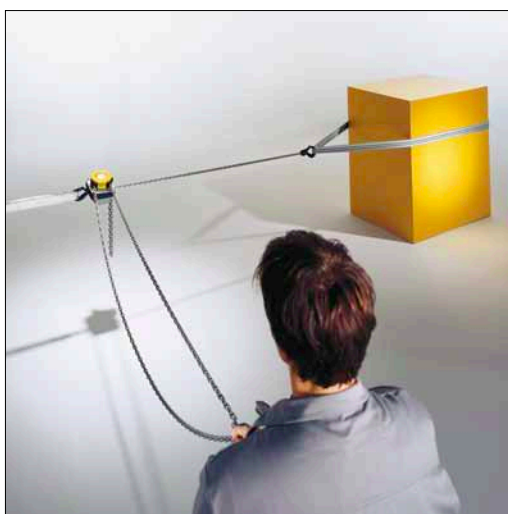
The precisely machined load sheave ensures accurate movement of the load chain.



! Yale hoists and trolleys are not designed for passenger elevation applications and must not be used for this purpose.

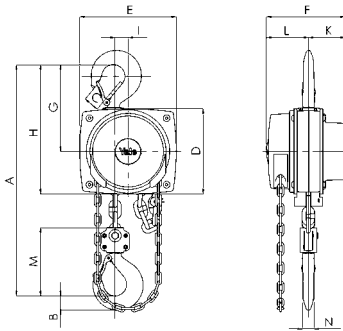
Technical data model Yalelift

Model	EAN-No. 4025092*	Capacity kg	Number of chain falls	Chain dimensions d x p mm	Lift per 1 m hand chain overhaul mm	Pull on hand chain at WLL daN	Weight at standard lift (3 m) kg
YL 500	*288545	500	1	5 x 15	33	21	9
YL 1000	*288552	1000	1	6 x 18	20	30	13
YL 2000	*288569	2000	1	8 x 24	14	32	20
YL 3000	*941129	3000	1	10 x 30	12	38	29
YL 5000	*941143	5000	2	10 x 30	6	34	38
YL 10000	*291842	10000	3	10 x 30	4	44	71
YL 20000	*292153	20000	6	10 x 30	2	2 x 44	196

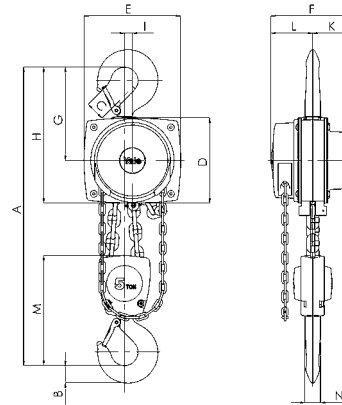


Dimensions model Yalelift

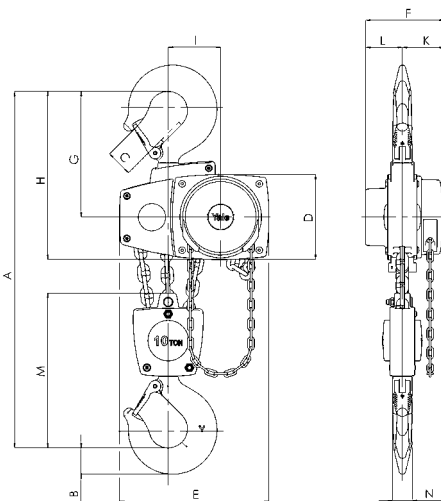
Model	YL 500	YL 1000	YL 2000	YL 3000	YL 5000	YL 10000	YL 20000
A min., mm	300	335	395	520	654	825	1065
B, mm	17	22	30	38	45	68	85
C, mm	24	29	35	40	47	68	64
D, mm	133	156	182	220	220	220	303
E, mm	148	175	203	250	250	383	555
F, mm	148	167	194	219	219	219	250
G, mm	139	164	192	225	242	326	391
H, mm	206	242	283	335	352	436	501
I, mm	24	24	31	34	21	136	-
K, mm	61	70	83	95	95	95	396
L, mm	87	97	111	124	124	124	125
M, mm	110	125	156	178	285	401	471
N, mm	14	19	22	30	37	50	56



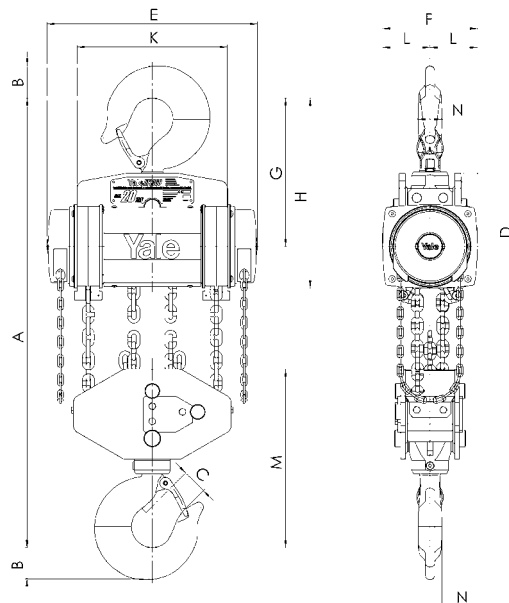
Model Yalelift 360, 500 - 3000 kg, single fall



Model Yalelift 360, 5000 kg, double fall



Model Yalelift 360, 10000 kg, three fall



Model Yalelift 360, 20000 kg, six fall