



# Radiolink plus



Hardened bushes to accept industry standard shackles

Std. AA Batteries 1200hrs Easy no tools access

Internal Antennae

Environmental protection IP67 or NEMA6

High-quality hard anodised aerospace aluminium

Angular ends to reduce weight and snagging when rigged



1000m or 3280ft Wireless Range

Reads up 4 load cells simultaneously

Low Battery Signal Strength

200Hz Peak Hold

90db Audible Overload Alarm

Tare

Multiple Display Units t/lbs/kg/kN

**Radiolink plus is designed to be rigged with Crosby standard shackles - DNV-GL type approved wireless tension load cell capable of weighing and dynamic load monitoring in capacities from 1t to 500t – from stock with an ATEX and IECEx version available for hazardous areas, zones 0, 1 & 2.**

### Three versions of the RLP are available:

- Long range 2.4GHz version providing industry-leading wireless range of 1000m or 3280ft to SP's SW-HHP handheld or software options.
- Bluetooth output and can be connected to any smart phone running SP's free HHP app on iOS or Android, at ranges up to 100m or 328ft.
- ATEX/IECEx for hazardous areas, zones 0, 1 & 2. Providing a wireless range of up to 500m or 1640ft to SW-HHP-ATEX handheld.

Constructed from high-quality aerospace grade aluminium, the RLP features an advanced internal design structure. This design provides the product with an unrivalled strength to weight ratio. The use of a separate internal sealed enclosure administers the load cell's electronic components with IP67 or NEMA6 environmental protection, even with the battery cover plate missing. All these features makes it an industry-leading dynamometer, suitable for use in the harshest of environments.

The versatile RLP is able to provide an update rate of 3Hz and can be easily configured to run at industry-leading speeds of up to 200Hz, making it ideal for dynamic force measurement.

Decades of development into this product include many stand out features such as SP's unique strain gauging method that helps compensate for wire rope torque when the Radiolink is loaded. The Radiolink plus tension load cell can also be used in combination with Crosby | Straightpoint 'INSIGHT' high speed wireless data logging software allowing for simultaneous control, display and real time data logging of up to 126 Crosby | Straightpoint wireless load cells.

A full array of wireless accessories are also available including wireless score board, overload alarm and base station with analogue (4-20mA) or 2 relay or RS485 ASCII outputs.

## Features and benefits:

- Proprietary 2.4 GHz Wireless
- Remote On-Off from handheld display or software
- ATEX Zones 0, 1 & 2 available
- Design validated by F.E.A.
- 2-year warranty
- DNV-GL Type Approval
- Complies with ASME B30.26
- Bluetooth option is available and is supplied with a free HHP App for iOS and Android

*Accessories available for the handheld:*

**Wall or Cab Mount Bracket**  
SP Crosby Part Nos. **SU3282 2789228**

**Rugged Rubber Boot**  
SP Crosby Part Nos. **SU4045 2789232**

Also available with hazardous area approval. Zones 0, 1 & 2



## ATEX / IECEX

Ex ia II C T4 Ga

Certification numbers:

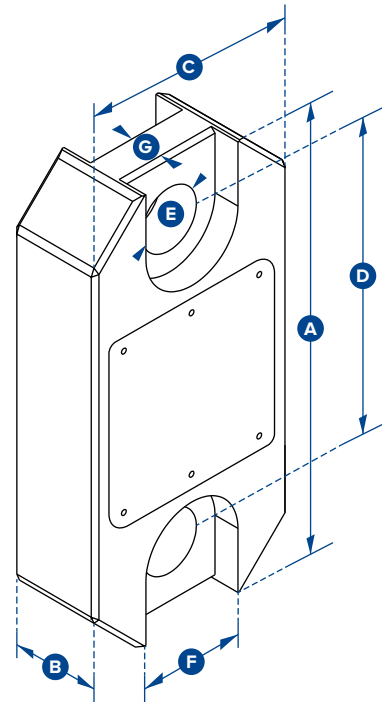
**RLP ATEX**

IECEX SIR 15.0071X / Sira 15ATEX2195X

**SW-HHP ATEX**

IECEX SIR 15.0072X / Sira 15ATEX2196X

**Add 'ATEX' to the part number when ordering ATEX/IECEX products. For example: RLP6T5-ATEX**



Part Number	RLP1T	RLP2T5	RLP6T5	RLP12T	RLP25T	RLP35T	RLP55T	RLP75T	RLP100T	RLP150T	RLP200T	RLP250T	RLP300T	RLP500T	
Crosby part	2789084	2789089	2789094	2789082	2789088	2789091	2789093	2789095	2789081	2789083	2789085	2789087	2789090	2789092	
Capacity	1,000 kg	2.5 te	6.5 te	12 te	25 te	35 te	55 te	75 te	100 te	150 te	200 te	250 te	300 te	500 te	
	2,200 lb	5,500 lb	14,300 lb	26,000 lb	55,000 lb	77,000 lb	120,000 lb	165,000 lb	220,000 lb	330,000 lb	440,000 lb	550,000 lb	660,000 lb	1,100,000 lb	
Resolution	0.5 kg	0.001te	0.001te	0.002te	0.005 te	0.005 te	0.01te	0.01te	0.05 te	0.05 te	0.1te	0.1te	0.1te	0.1te	
	1lb	2 lb	2 lb	5 lb	10 lb	10 lb	20 lb	20 lb	100 lb	100 lb	200 lb	200 lb	200 lb	200 lb	
Units	kg	te	te	te	te	te	te	te	te	te	te	te	te	te	
	lb	lb	lb	lb	lb	lb	lb	lb	lb	lb	lb	lb	lb	lb	
Weight	1.5 kg	1.5 kg	2.4 kg	3.7 kg	5 kg	8.6 kg	13 kg	16 kg	34 kg	46 kg	82 kg	82 kg	118 kg	280 kg	
	3.3 lb	3.3 lb	5.3 lb	8.2 lb	11 lb	19 lb	28.7 lb	35.3 lb	75 lb	101.4 lb	180.8 lb	180.8 lb	260 lb	617 lbs	
Safety Factor	12.1	7:1	7:1	7:1	5:1	5:1	5:1	5:1	5:1	4:1	5:1	4:1	5:1	5:1	
Battery Type	Handheld - 2 x AA / Loadcell 4 x AA														
Battery Life	Handheld - 40 hrs / Loadcell 1,200 hrs continuous (Loadcell 500 hrs if Bluetooth)														
Display Type	240x128 multi-line dot matrix with backlight														
Operating Temp	- 10 to +50 °C / 14 to 122 °F														
Accuracy	±0.1% full scale														
Frequency	2.4GHz														
Range (Max)	1,000 metres / 3,280 feet (100 m / 328 ft if Bluetooth)														
Data Rate	3Hz - up to 200Hz can be ordered for dynamic load monitoring applications														
Protection	IP67														
	NEMA6														
Dimension A	204	204	249	305	340	393	424	470	608	670	700	700	806	1050	
	8.03 "	8.03 "	9.80 "	12.01 "	13.39 "	15.47 "	16.69 "	18.50 "	23.94 "	26.38 "	27.56 "	27.56 "	31.73 "	41.33 "	
Dimension B	43	43	43	47	60	75	75	75	99	99	144	144	150	185	
	1.69 "	1.69 "	1.69 "	1.85 "	2.36 "	2.95 "	2.95 "	2.95 "	3.90 "	3.90 "	5.67 "	5.67 "	5.91 "	7.29 "	
Dimension C	104	104	113	113	115	126	180	202	255	303	350	350	426	570	
	4.09 "	4.09 "	4.45 "	4.45 "	4.53 "	4.96 "	7.09 "	7.95 "	10.04 "	11.93 "	13.78 "	13.78 "	16.77 "	22.44 "	
Dimension D	146	146	165	193	215	225	230	260	320	360	350	350	350	450	
	5.75 "	5.75 "	6.50 "	7.60 "	8.46 "	8.86 "	9.06 "	10.24 "	12.60 "	14.17 "	13.78 "	13.78 "	13.78 "	17.72 "	
Dimension ØE	24.5	24.5	38	47.5	55	60	76	76	109	109	145	145	160	200	
	0.96 "	0.96 "	1.50 "	1.87 "	2.17 "	2.36 "	2.99 "	2.99 "	4.29 "	4.29 "	5.71 "	5.71 "	6.30 "	7.87 "	
Dimension F	48	48	65	Not relevant in this capacity											
	1.89 "	1.89 "	2.60 "												
Dimension G	19	19	32	Not relevant in this capacity											
	0.75 "	0.75 "	1.26 "												
Crosby Shackle	G2130					G2140							G2160		
Loading Pin Ø	19	19	25	35	51	57	57	70	83	95	121	127	152	180	
	3/4 in	3/4 in	1 in	13/8 in	2 in	2 1/4 in	2 1/4 in	2 3/4 in	3 1/4 in	3 3/4 in	4 3/4 in	5 in	6 in	7 1/8 in	