

DYNAMOMETER EQUIPPED LEVER HOIST



ACCURATE
RIGGING & FABRICATION
A CHICAGO JACK COMPANY

**FREE
SPARE SET
OF LATCHES**

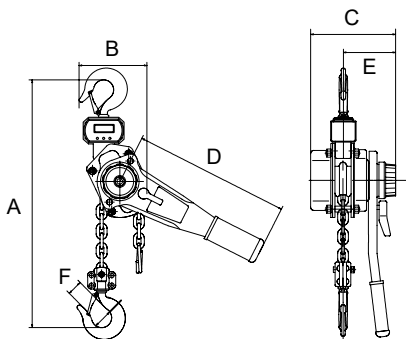
Features

The Dyno-Hoist provides an accurate and reliable reading of the weight of the load being lifted and displays "OVER" when you have reached 126% rated capacity of the hoist. The integrated dynamometer can display the load weight in kg or lbs. and runs on standard AA batteries with a run time of 150 hours. When not in use the battery energy saving system turns off the dynamometer. This scale is used for weighing loads not for trade.

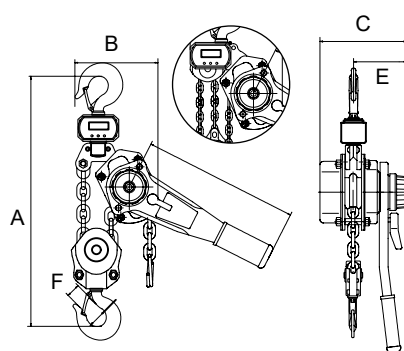
- All-steel construction
- Zinc plated load chain
- Fully-enclosed gearing
- Long lasting powder coat finish
- Load sheave bearings
- Individual test certificate & serial number
- Steel handle with rubber grip
- Forged alloy steel hooks
- Minimal load lifting effort
- Heavy-duty latches
- Weston-Style brake system

Standards - CE, ASME B30.21, AS1418.2

0.75, 1.5, 3T



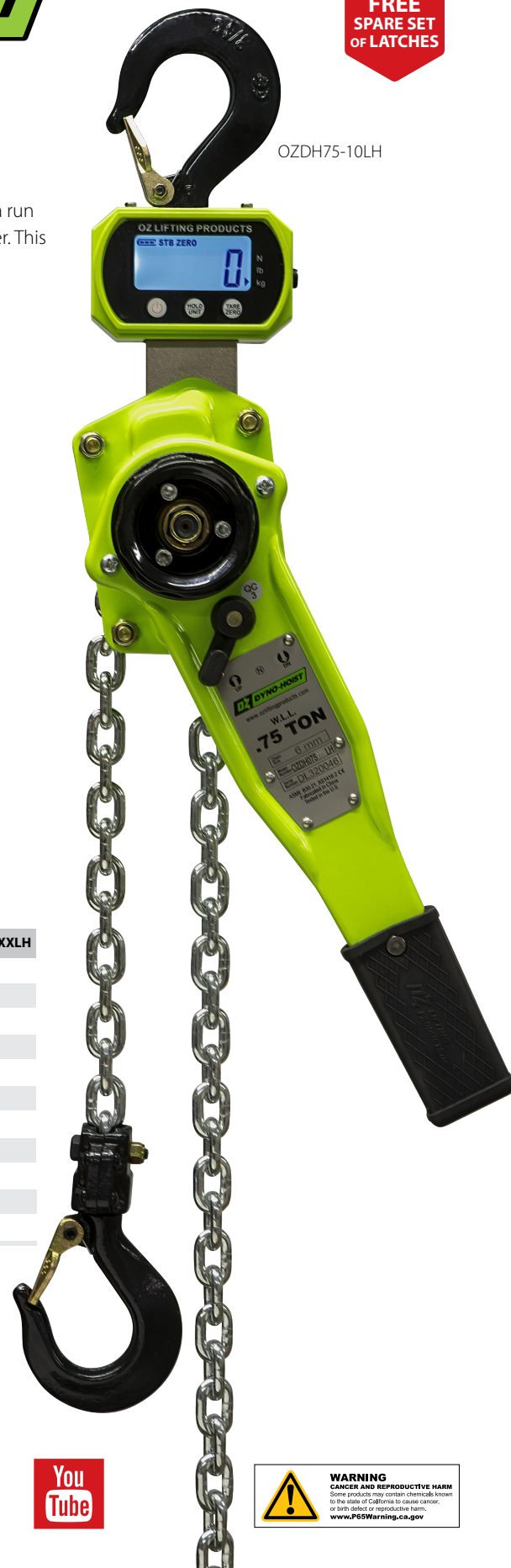
6, 9T (3 falls of chain)



	OZDH075-XXLH	OZDH150-XXLH	OZDH300-XXLH	OZDH600-XXLH	OZDH900-XXLH	
Capacity (tons)	0.75	1.5	3	6	9	
Effort to Lift S.W.L (lbs)	31.4	49.5	72	76.5	81	
Falls of Chain	1	1	1	2	3	
Load Chain Diameter (mm)	6x18	8x24	10x30	10x30	10x30	
Product Dimensions (in)	A	14.96	16.73	21.65	24.41	
	B	5.28	5.91	7.48	9.53	12.09
	C	5.71	6.89	7.68	7.68	7.68
Hook-opening, Upper & Lower	D	11.22	16.14	16.14	16.14	16.14
	E	3.39	3.94	4.53	4.53	4.53
Net Weight (lbs)	F	1.06	1.42	1.50	1.89	2.13
		16.5	27.94	45.10	66.00	96.80

Standard Lift: 5, 10, 15, 20 ft. We also do custom rigging

Dimensions and illustrations are for reference only and subject to change without notice. XX in hoist model number indicates length of lift by foot.



OZDH75-10LH



WARNING
CANCER AND REPRODUCTIVE HARM
Some products may contain chemicals known to the state of California to cause cancer, or birth defect or reproductive harm.
www.P65Warning.ca.gov