

# JDN AIR HOISTS MINI



DISTRIBUTED BY:

  
**ACCURATE**  
**RIGGING & FABRICATION**  
*A CHICAGO JACK COMPANY*

  
**J·D·NEUHAUS**  
1745 engineered for extremes

# JDN AIR HOISTS MINI



## The mini series at a glance



Energy supply  
(spiral hose)



Manual trolleys



mini in mani-  
pulator version

Special grease for  
oil-free operation



Galvanised chain  
Corrosion Resistant

Sensitive control  
Precise Positioning

Explosion classification  
II 3 GD IIA T4





**The JDN mini series for general duty**  
**Carrying capacities: 275 lbs, 500 lbs, 1,100 lbs, 2,200 lbs**  
**Air pressure: 85 PSI**

The **mini** widens the range of applications as a handy, flexible and universally deployable hoist making it an ideal tool for a wide range of manufacturing and assembly applications.

**mini Manipulator**

With the **mini** manipulator loads can be lifted, lowered, manually traversed and positioned with only one hand. Further information on request.

Explosion Classification: II 3 GD IIA T4



mini 250



mini 250  
in manual trolley



mini-  
Manipulator

**The advantages at a glance**

- Price competitive alternative when compared to other types of powered hoists.
- Suitable for lube-free operation.
- Suitable for application in hazardous areas.
- Minimum components for ease of maintenance.
- Wear resistant motor braking system.
- Lightweight for easy handling.
- Also suitable for horizontal pulling.
- Extremely sensitive lever control with optional emergency stop, max. control length 20 ft.
- Available lifting heights: up to 26 ft.
- With chain box as standard.
- With manual trolley as option.

**Technical Data**

Type		mini 125	mini 250	mini 500	mini 1000
Capacity	lbs	275	550	1100	2160
	kg	125	250	500	980
Number of chain strands		1	1	1	1
Motor output	kW	0.4	0.4	1	1
Air pressure	PSI	85	85	85	85
	bar	6	6	6	6
Lifting speed without load <sup>1</sup>	ft/min	130	65	65	33
	m/min	40	20	20	10
Lifting speed at full load <sup>1</sup>	ft/min	49.5	26	33	16
	m/min	15	8	10	5
Lowering speed at full load	ft/min	99	52	59	33
	m/min	30	16	18	10
Lowering speed without load	ft/min	78.7	39.4	39.4	19.7
	m/min	24	12	12	6
Air consumption at full load – lifting	cfm	17.5	17.5	42.5	42.5
	m <sup>3</sup> /min	0.5	0.5	1.2	1.2
Air consumption at full load – lowering	cfm	24.7	24.7	56.5	56.5
	m <sup>3</sup> /min	0.7	0.7	1.6	1.6
Air connection		G 3/8	G 3/8	G 1/2	G 1/2
Hose dimension (Ø inside)	inch	3/8	3/8	1/2	1/2
	mm	9	9	13	13
Weight with 10 ft / 3 m lift	lbs	21	23.1	46.2	50.6
	kg	9.5	10.5	21	23
Chain dimension	mm	4 x 12	4 x 12	7 x 21	7 x 21
Weight of chain	lbs/ft	0.23	0.23	0.67	0.67
	kg/m	0.35	0.35	1.0	1.0
Height of lift	ft	10/16/26			
	m	3/5/8			
Length of control at standard lift	ft	6.5/13/20			
	m	2/4/6			
Noise level at full load <sup>2</sup> – lifting	dB(A)	79	79	77	77
Noise level at full load <sup>2</sup> – lowering	dB(A)	80	80	83	83

Group mechanism: M3 (1 Bm)

<sup>1</sup> Lifting speed at 2 m length of control. Longer control hoses decrease the lifting speeds.

<sup>2</sup> Measured at 1 m distance acc. to DIN 45635 part 20

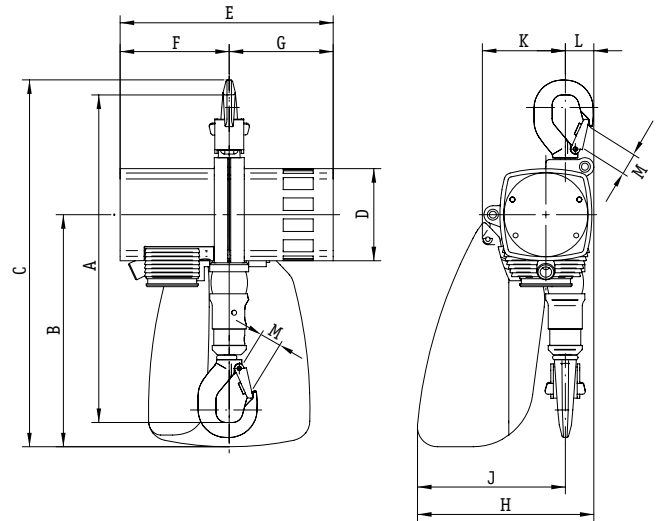


# JDN AIR HOISTS MINI



## Dimensions

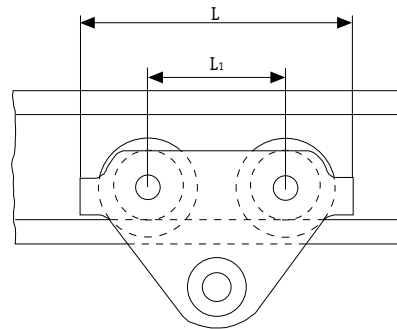
Type		mini 125	mini 250	mini 500	mini 1000
A	inch	12.9	12.9	18.0	18.0
	mm	328	328	458	458
B	inch	9.1	9.1	12.4	12.4
	mm	232	232	316	316
C	inch	14.4	14.4	19.9	19.9
	mm	367	367	505	505
D	inch	3.6	3.6	4.8	4.8
	mm	92	92	122	122
E	inch	8.4	8.4	11.5	11.5
	mm	213	213	292	292
F	inch	4.3	4.3	5.8	5.8
	mm	109	109	148	148
G	inch	4.1	4.1	5.6	5.6
	mm	104	104	144	144
H	inch	7	7	9.2	9.2
	mm	177	177	234	234
J	inch	5.8	5.8	7.6	7.6
	mm	148	148	194	194
K	inch	3.3	3.3	4.7	4.7
	mm	83	83	119	119
L	inch	1.1	1.1	1.6	1.6
	mm	29	29	40	40
M	inch	0.7	0.7	1.1	1.1
	mm	19	19	28	28



## Manual Trolleys for JDN Air Hoists mini

### Technical Data

Type		LN 250	LN 1000
Capacity	lbs	550	2200
	kg	250	1000
Beam flange width b	inch	2-8	2-8
	mm	50-220	58-220
max. flange thickness t	inch	1.3	1.2
	mm	34	30
min. curve radius	inch	35.4	39.4
	m	0.9	1.0
Weight	lbs	17	21
	kg	7.7	10.5



### Dimensions

Type		LN 250	LN 1000
A	inch	3.1	3.1
	mm	79	79
D	inch	0.7	0.7
	mm	17	17
D <sub>1</sub>	inch	1	1.2
	mm	25	30
D <sub>2</sub>	inch	1.2	1.4
	mm	30	35
H <sub>1</sub>	inch	1.2	1
	mm	30	25
I	inch	2.7	3.2
	mm	67.5	81.5
L	inch	10.2	10.2
	mm	260	260
L <sub>1</sub>	inch	5.1	5.1
	mm	130	130
O	inch	2.2	2.7
	mm	55	68
T	inch	5.7	5.9
	mm	144	151

