

EQ/SEQ Electric Chain Hoists

Features

Simple Construction

Low maintenance due to no transformer, no magnetic contactor, no brake contactor and no brake coil.



Unique Load Sheave

Increased number of pockets reduces chain vibration and increases chain life. Five pockets standard.



Limit Switches

Low-profile upper and lower limit switches are standard.



Dual Speed VFD

“Under-the-cover” VFD standard. Speed ratio is 6:1.



Optional Suspension Bar

External connecting shaft allows for quick change from hook mount to suspension bar mount.



No-Load High-Speed

Hoist speeds 1.3 times faster when working with less than 30% of full load.



Unique Chain Guide

Provides quiet and smooth guiding of chain. Heavy cast iron construction.



Standard Count Hour Meter

Records and displays the number of lifting/lowering starts and hoist on time which is valuable for preventive maintenance. Integral to VFD.



Green Initiative

Built smarter without the use of harmful materials. Environmentally friendly. RoHS compliant.



Perpendicular Orientation

PT push, GT geared and MRQ motorized trolley mount hoists are configured as perpendicular to the beam.



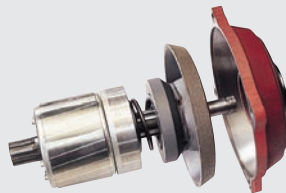
Friction Clutch

Friction clutch is standard on EQ/SEQ models. Provides consistent performance over a wide temperature range.



Pull-Rotor Motor Brake

Extremely durable and reliable, this advanced design contains no brake coil to fail like conventional disc brakes. **5-year hoist brake warranty.**



Certified

CSA listed to:
UL 508, UL 508A, UL 1004
CSA Std. C22.2 No 33-M1984 (R2004)
CSA Std. C22.2 No 14-13
CSA Std. C22.2 No. 66.1-06 (R2011)



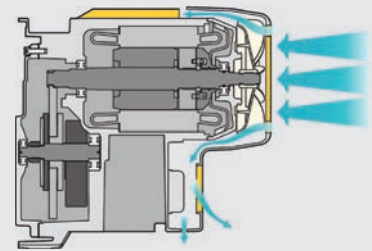
High Strength, Corrosion and Wear Resistant Load Chain

Grade 80, super strength, nickel-plated load chain, certified to DIN standards, uses unique technology to greatly increase resistance to fatigue and wear.



High Air Flow

Cooler motor and brake attributed to an engineered motor fin, fan blade and fan cover design.



Pendant Controls

Ergonomic design for operator comfort. Red button emergency stop is standard on all pendants.



EQ/SEQ Electric Chain Hoists

Compact Aluminum Body

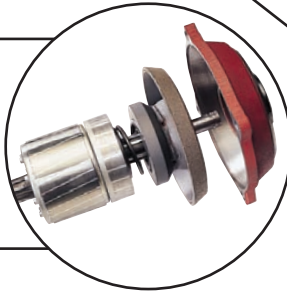
Die-cast body is lightweight and offers low headroom – one of the best in the industry. Paint is electrostatically applied.

Completely Sealed Body

Suitable for both indoor and outdoor applications, including harsh environments. (Consult Owner's Manual for details.) Gaskets throughout the hoist provide for an IP55 rating.

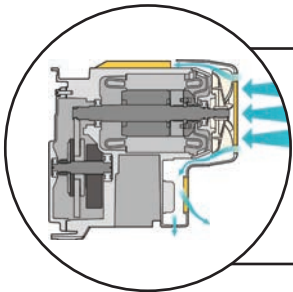
Pull-Rotor Motor Brake

Extremely durable and reliable, this advanced design contains no brake coil to fail like conventional disc brakes.



External Motor Fan

Functions to quickly eliminate resistor, motor and brake heat. This results in improved hoist duty rating and greatly lengthens brake life. Motor is totally enclosed, fan cooled (TEFC).



Extreme Duty Motor

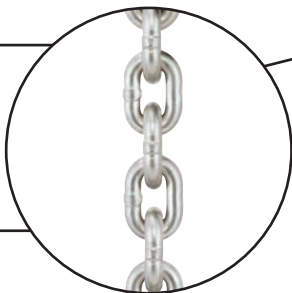
Increased performance through 30/10-minute duty rating, H4 classification, Class B insulation, cooling fins and external thermal motor protection.

Chain Container

Durable plastic containers are standard.

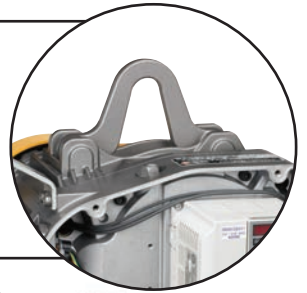
Corrosion Resistant Load Chain

Nickel-plated, Grade 80, DIN chain for superb durability and strength.



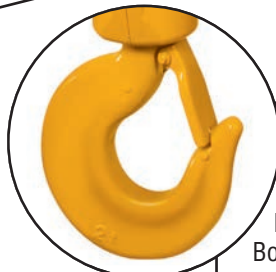
Optional Suspension Bar

For low headroom or enclosed track trolley applications. Easily changed from top hook to suspension bar.

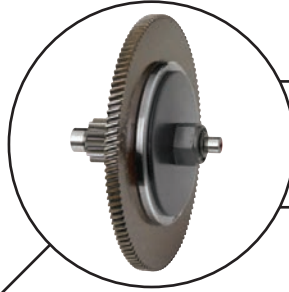


Forged Carbon Steel Hooks

Under excessive loads will open gradually and not fracture. Ball bearings produce smooth rotation. Bottom hook will swivel 360 degrees. Heavy-duty hook latches are standard.



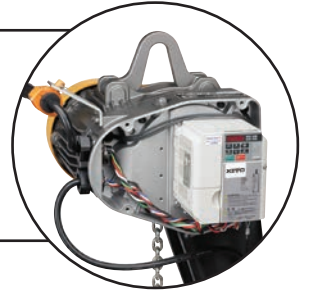
Precision Machined Helical Gears
Immersed in oil bath lubrication results in quiet, smooth and cool operation.



Long Life Friction Clutch
Protects hoist from damage and prevents overwinding.

Variable Frequency Drive (VFD)

Dual speed controls via "under-the-cover" variable frequency drive for both **single-phase** and three-phase hoists. VFD includes count hour meter, load limiter and no-load high-speed function.



Load Sheave

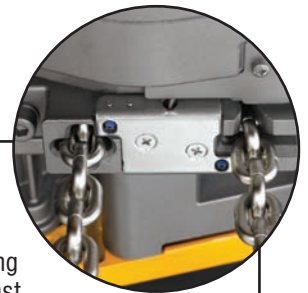
Five deep-groove pockets fully support the load chain during operation. Reduces vibration and chain wear. Provides true vertical lift.

Operating Conditions

Recommended for -4° to +104°F and humidity of 85% or less.

Unique Chain Guide

Provides quiet and smooth guiding of chain. Heavy cast iron construction for improved wear versus stamped steel design offered by many manufacturers.



Durable Push Button Pendant

Easy-to-use, one-handed operation. Rated IP65. Standard control voltage is 24VDC. Strain relief wire is molded to pendant cord for added support and dependability. E-Stop is standard on all pendants.



Upper/Lower Limit Switch

Low-profile upper and lower limit switches provide excellent headroom.



EQ Electric Chain Hoists Hook or Suspension Bar Mount



EQ010SD

Harrington's EQ Series three-phase dual speed (VFD Control) electric chain hoists are ergonomically designed for easy installation and operation in medium- and heavy-duty industrial applications. These hoists have an extremely compact and lightweight body, and are perfect for any work station application. The EQ hoists include a no-load high-speed function that automatically increases hoist speed up to 130 percent when the load is less than 30 percent of working load limit.

Features and Benefits

Pull-Rotor Motor Brake

Extremely durable and reliable, this advanced design contains no brake coil to fail like conventional disc brakes.

External Motor Fan

Functions to quickly eliminate resistor, motor and brake heat. This results in improved hoist duty rating and greatly lengthens brake life. Motor is totally enclosed, fan cooled (TEFC).

Precision Machined Helical Gears

Immersed in oil bath lubrication results in quiet, smooth and cool operation.

Chain Container

Durable plastic containers are standard.

Corrosion Resistant Load Chain

Nickel-plated, Grade 80, DIN chain for superb durability and strength.

Forged Carbon Steel Hooks

Under excessive loads will open gradually and not fracture. Ball bearings produce smooth rotation. Bottom hook will swivel 360°. Heavy-duty hook latches are standard.

Optional Suspension Bar

For low headroom or enclosed track trolley applications. Easily changed from top hook to suspension bar.

Compact Aluminum Body

Die-cast body is lightweight and offers low headroom – one of the best in the industry. Paint is electrostatically applied.

Completely Sealed Body

Suitable for both indoor and outdoor applications, including harsh environments. (Consult Owner's Manual for details.) Gaskets throughout the hoist provide for an IP55 rating.

Variable Frequency Drive (VFD)

Dual speed controls via "under-the-cover" variable frequency drive for both single-phase and three-phase hoists. VFD includes count hour meter, load limiter and no-load high-speed function.

Long Life Friction Clutch

Protects hoist from damage and prevents overwinding.

Upper/Lower Limit Switch

Low profile upper and lower limit switches provide excellent headroom.

Unique Chain Guide

Provides quiet and smooth guiding of chain. Heavy cast iron construction for improved wear versus stamped steel design offered by many manufacturers.

Durable Push Button Pendant

Easy-to-use, one-handed operation. Rated IP65. Standard control voltage is 24V. Strain relief wire is molded to pendant cord for added support and dependability. E-Stop is standard on all pendants.

Extreme Duty Motor

Increased performance through 30/10-minute duty rating, H4 classification, Class B insulation, cooling fins and external thermal motor protection.

Load Sheave

Five deep-groove pockets fully support the load chain during operation. Reduces vibration and chain wear. Provides true vertical lift.

Operating Conditions

Recommended for -4° to +104°F and humidity of 85% or less.

Standard Hoist Specifications

Capacity Range

1/8 Ton – 1 Ton

Standard Voltage

(208-230)-3-50/60
(380-460)-3-50/60

Control Voltage

24VDC

Duty Cycle*

30/10 Min.

Classification*

ASME H4
ISO 1/8-1/2T M6; 1T M5
FEM 1/8-1/2T 3m; 1T 2m

Conformance

UL 508, 508A, 1004
CSA C22.2 NO. 33, 14-13, 66

Ratings

Hoist – IP55
Pendant – IP65

Chain Falls

Single chain fall all capacities

Standard Lift

10' (longer lifts available)

Standard Pendant Drop

Standard pendant hangs approximately 4' above the hoist's fully extended bottom hook (longer drops available)

Standard Power Supply Length

15' (longer lengths available)

Mounting

Hook, suspension bar or trolley

Standard Pendants

2-button (momentary contacts) with emergency On/Off (maintained contacts)

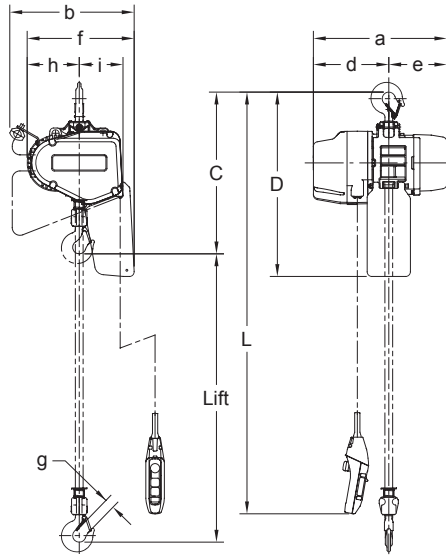
Chain Containers

Standard plastic

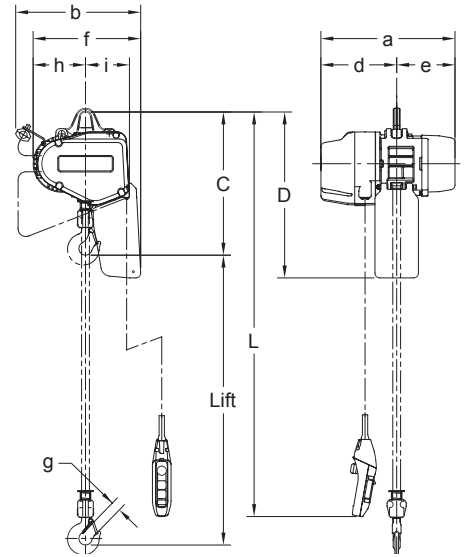
HARRINGTON ELECTRIC CHAIN HOISTS



EQ010SD
(shown with optional
Suspension Bar)



EQ010SD Hook Mount



EQ010SD Suspension Bar Mount

EQ 3-PHASE DUAL SPEED VFD HOIST — SPECIFICATIONS

| Capacity (Tons) | Product Code | Standard Lift (ft) | Push Button Cord L (ft) | Lifting Speed ² (ft/min) | | | Lifting Motor ¹ 3-Phase 50/60 Hz | | | Load Chain Diameter (mm) x Chain Fall Lines | Net Weight (lbs) | Weight for Additional One Foot of Lift (lbs) |
|-----------------|--------------|--------------------|-------------------------|-------------------------------------|-----|--------------------|---|----------------------|-----------|---|------------------|--|
| | | | | High | Low | No Load High Speed | Output (Hp) | Rated Current (amps) | | | | |
| | | | | | | | | @208-230V | @380-460V | | | |
| 1/8 | EQ001SD | 10 | 8.2 | 56 | 9.3 | 72 | 0.67 | 5.1 | 2.8 | 5.6 x 1 | 71 | 0.48 |
| 1/4 | EQ003SD | | | 33 | 5.5 | 43 | | | | | | |
| 1/2 | EQ005SD | | | 25 | 4.2 | 32 | | | | | | |
| 1 | EQ010SD | | | 23 | 3.8 | 30 | | | | | | |

1) Although different voltages are shown, motors are NOT re-connectable and voltage can NOT be changed due to electrical components being voltage specific.
2) Speeds are adjustable between low and high speed.

EQ 3-PHASE DUAL SPEED VFD HOIST — DIMENSIONS

| Capacity (Tons) | Product Code | Headroom C (in) | | D (in) | | a (in) | b (in) | d (in) | e (in) | f (in) | g (in) | h (in) | i (in) |
|-----------------|--------------|-----------------|-----------|----------|-----------|--------|--------|--------|--------|--------|--------|--------|--------|
| | | Top Hook | Susp. Bar | Top Hook | Susp. Bar | | | | | | | | |
| 1/8 | EQ001SD | 17.3 | 15.6 | 21.0 | 19.1 | 16.4 | 14.4 | 9.1 | 7.4 | 11.7 | 1.1 | 5.4 | 5.0 |
| 1/4 | EQ003SD | | | | | | | | | | | | |
| 1/2 | EQ005SD | 18.0 | 16.1 | 23.5 | 21.1 | 17.0 | 15.9 | 9.6 | 7.4 | 13.1 | 1.2 | 6.1 | 5.6 |
| 1 | EQ010SD | 20.7 | 18.3 | | | | | | | | | | |

EQM Electric Chain Hoists with Motorized Trolleys



EQM010SD-SD

Harrington's MRQ Series dual speed (VFD Control) motorized trolley adds powered mobility to our EQ Series three-phase dual speed (VFD Control) electric chain hoists for applications where long travel distance is needed.

Features and Benefits

Pull-Rotor Motor Brake

Extremely durable and reliable, this advanced design contains no brake coil to fail like conventional disc brakes.

External Motor Fan

Functions to quickly eliminate resistor, motor and brake heat. This results in improved hoist duty rating and greatly lengthens brake life. Motor is totally enclosed, fan cooled (TEFC).

Precision Machined Helical Gears

Immersed in oil bath lubrication results in quiet, smooth and cool operation.

Chain Container

Durable plastic containers are standard.

Corrosion Resistant Load Chain

Nickel-plated, Grade 80, DIN chain for superb durability and strength.

Forged Carbon Steel Hooks

Under excessive loads will open gradually and not fracture. Ball bearings produce smooth rotation. Bottom hook will swivel 360°. Heavy-duty hook latches are standard.

Compact Aluminum Body

Die-cast body is lightweight and offers low headroom – one of the best in the industry. Paint is electrostatically applied.

Completely Sealed Body

Suitable for both indoor and outdoor applications, including harsh environments. (Consult Owner's Manual for details.) Gaskets throughout the hoist provide for an IP55 rating.

Variable Frequency Drive (VFD)

Dual speed controls via "under-the-cover" variable frequency drive for both single-phase and three-phase hoists. VFD includes count hour meter, load limiter and no-load high-speed function.

Long Life Friction Clutch

Protects hoist from damage and prevents overwinding.

Upper/Lower Limit Switch

Low profile upper and lower limit switches provide excellent headroom.

Unique Chain Guide

Provides quiet and smooth guiding of chain. Heavy cast iron construction for improved wear versus stamped steel design offered by many manufacturers.

Durable Push Button Pendant

Easy to use, one-handed operation. Rated IP65. Standard control voltage is 24V. Strain relief wire is molded to pendant cord for added support and dependability. E-Stop is standard on all pendants.

Extreme Duty Motor

Increased performance through 30/10-minute duty rating, H4 classification, Class B insulation, cooling fins and external thermal motor protection.

Load Sheave

Five deep-groove pockets fully support the load chain during operation. Reduces vibration and chain wear. Provides true vertical lift.

Operating Conditions

Recommended for -4° to +104°F and humidity of 85% or less.

Standard Motorized Trolley Specifications

Capacity Range

1/8 Ton – 1 Ton

Standard Voltage

(208-230)-3-50/60
(380-460)-3-50/60

Control Voltage

24VDC

Duty Cycle*

30/10 Min.

Classification*

ASME H4
ISO 1/8-1/2T M6; 1T M5
FEM 1/8-1/2T 3m; 1T 2m

Ratings

Trolley – IP55
Pendant – IP65

Standard Pendants

4-button (momentary contacts) with emergency On/Off (maintained contacts)

Shafts

Standard shafts fit wide flange range
Longer shafts for wider beams
Spacers for easy adjustments

Drop Stops

Standard

Bumpers

Standard

Wheels

All steel
Shielded ball bearings
Fit flat or tapered beam flange

Standard Power Supply Length

30' (longer lengths available)

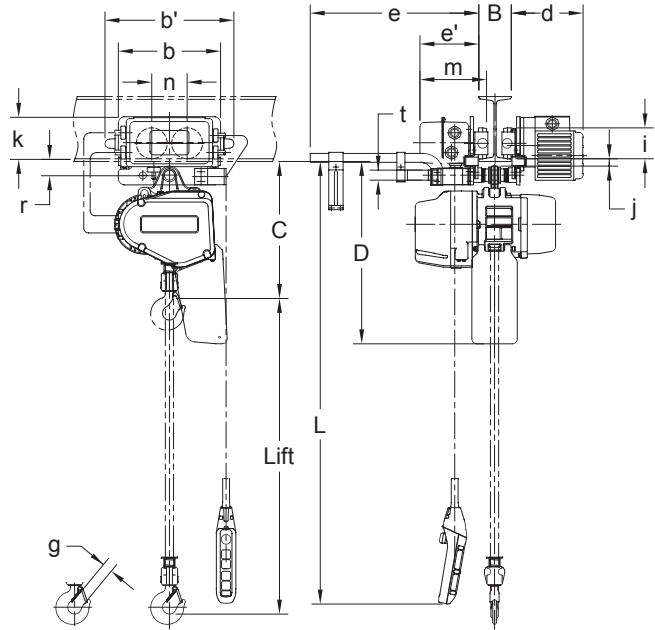
Standard Pendant Drop

Standard pendant hangs approximately 4' above the hoist's fully extended bottom hook

HARRINGTON ELECTRIC CHAIN HOISTS



EQM010SD-SD



EQM010SD-SD

EQ 3-PHASE DUAL SPEED VFD HOIST WITH DUAL SPEED VFD TROLLEY — SPECIFICATIONS

| Cap. (Tons) | Product Code | Std. Lift (ft) | Push Button Cord L (ft) | Lifting Speed ² (ft/min) | | | Lifting Motor ¹ 3-Phase 50/60 Hz | | | Traversing Speed ² (ft/min) | | Traversing Motor ¹ 3-Phase 50/60 Hz | | | Flange Width Adjustability B (in) | | Minimum ³ Allow. Radius for Curve (in) | Load Chain Diameter (mm) x Chain Fall Lines | Net Weight (lbs) | Weight for Additional One Foot of Lift (lbs) | | | |
|-------------|--------------|----------------|-------------------------|-------------------------------------|-----|--------------------|---|----------------------|-----------|--|-----|--|----------------------|-----------|-----------------------------------|--------------|---|---|------------------|--|----------|-----|-----|
| | | | | High | Low | No Load High Speed | Output (Hp) | Rated Current (amps) | | High | Low | Output (Hp) | Rated Current (amps) | | | Standard | | | | | Optional | | |
| | | | | | | | | @208-230V | @380-460V | | | | @208-230V | @380-440V | @415-460V | | | | | | | | |
| 1/8 | EQM001SD-SD | 10 | 8.2 | 56 | 9.3 | 72 | 0.67 | 5.1 | 2.8 | 80 | 13 | 0.54 | 3.4 | 2.5 | 1.7 | 2.28 to 6.02 | 6.03 to 12.00 | 31.5 | 5.6 x 1 | 139 | | | |
| 1/4 | EQM003SD-SD | | | 33 | 5.5 | 43 | | | | | | | | | | | | | | 141 | | | |
| 1/2 | EQM005SD-SD | | | 25 | 4.2 | 32 | | | | | | | | | | | | | | 1.0 | 6.3 | 3.3 | 146 |
| 1 | EQM010SD-SD | | | 23 | 3.8 | 30 | | | | | | | | | | | | | | 2.0 | 10.5 | 5.5 | 165 |

1) Although different voltages are shown, motors are NOT re-connectable and voltage can NOT be changed due to electrical components being voltage specific.

2) Speeds are adjustable between low and high speed.

3) Flange widths smaller than 4 inches will have a minimum radius of 137.8 inches.

EQ 3-PHASE DUAL SPEED VFD HOIST WITH DUAL SPEED VFD TROLLEY — DIMENSIONS

| Cap. (Tons) | Product Code | Headroom C (in) | D (in) | b' (in) | b (in) | d (in) | e (in) | e' (in) | g (in) | i (in) | j (in) | k (in) | m (in) | n (in) | r (in) | t (in) |
|-------------|--------------|-----------------|--------|---------|--------|--------|--------|---------|--------|--------|--------|--------|--------|--------|--------|--------|
| 1/8 | EQM001SD-SD | 16.5 | 20.3 | 15.6 | 12.4 | 8.7 | 20.3 | 7.1 | 1.1 | 3.7 | 1.1 | 5.1 | 8.1 | 4.3 | 2.0 | 1.2 |
| 1/4 | EQM003SD-SD | | | | | | | | | | | | | | | |
| 1/2 | EQM005SD-SD | 17.3 | | | | | | | | | | | | | | |
| 1 | EQM010SD-SD | 19.3 | 22.2 | | | | | | 1.2 | | 0.9 | | | | | |

EQP and EQG Electric Chain Hoists with Push or Geared Trolleys



EQP010SD

Mounting Harrington's EQ Series three-phase dual speed (VFD Control) electric chain hoist to our PT push or GT geared trolley will create an easy and economical method of transporting the load. This combination is ideal for workstations and infrequent moves.

Features and Benefits

Pull-Rotor Motor Brake

Extremely durable and reliable, this advanced design contains no brake coil to fail like conventional disc brakes.

External Motor Fan

Functions to quickly eliminate resistor, motor and brake heat. This results in improved hoist duty rating and greatly lengthens brake life. Motor is totally enclosed, fan cooled (TEFC).

Precision Machined Helical Gears

Immersed in oil bath lubrication results in quiet, smooth and cool operation.

Chain Container

Durable plastic containers are standard.

Corrosion Resistant Load Chain

Nickel-plated, Grade 80, DIN chain for superb durability and strength.

Forged Carbon Steel Hooks

Under excessive loads will open gradually and not fracture. Ball bearings produce smooth rotation. Bottom hook will swivel 360°. Heavy-duty hook latches are standard.

Compact Aluminum Body

Die-cast body is lightweight and offers low headroom – one of the best in the industry. Paint is electrostatically applied.

Completely Sealed Body

Suitable for both indoor and outdoor applications, including harsh environments. (Consult Owner's Manual for details.) Gaskets throughout the hoist provide for an IP55 rating.

Variable Frequency Drive (VFD)

Dual speed controls via "under-the-cover" variable frequency drive for both single-phase and three-phase hoists. VFD includes count hour meter, load limiter and no-load high-speed function.

Long Life Friction Clutch

Protects hoist from damage and prevents overwinding.

Upper/Lower Limit Switch

Low profile upper and lower limit switches provide excellent headroom.

Unique Chain Guide

Provides quiet and smooth guiding of chain. Heavy cast iron construction for improved wear versus stamped steel design offered by many manufacturers.

Durable Push Button Pendant

Easy to use, one-handed operation. Rated IP65. Standard control voltage is 24V. Strain relief wire is molded to pendant cord for added support and dependability. E-Stop is standard on all pendants.

Extreme Duty Motor

Increased performance through 30/10-minute duty rating, H4 classification, Class B insulation, cooling fins and external thermal motor protection.

Load Sheave

Five deep-groove pockets fully support the load chain during operation. Reduces vibration and chain wear. Provides true vertical lift.

Operating Conditions

Recommended for -4° to +104°F and humidity of 85% or less.

Standard Trolley Specifications

Capacity Range

1/8 Ton – 1 Ton

Shafts

Standard shafts fit wide range
Longer shafts for wider beams
Spacers for easy adjustments

Drop Stops

Standard

Bumpers

Optional

Standard Hand Chain Drop

Standard geared trolley hand chain hangs approximately 2' less than hoist's fully extended bottom hook (longer drops available)

Wheels

All steel
Sealed ball bearings
Fit flat or tapered beam flange

Standard Hoist Pendant Drop

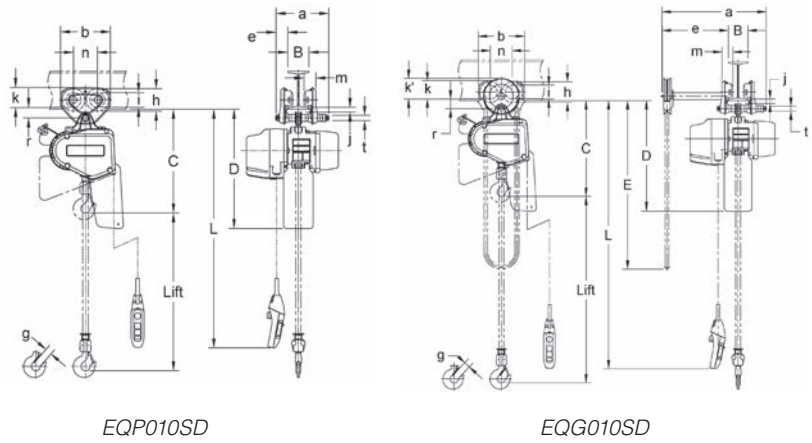
Standard pendant hangs approximately 4' above the hoist's fully extended bottom hook (longer drops available)

Standard Hoist Power Supply Length

15' (longer lengths available)

Standard Pendants

2-button (momentary contacts) with emergency On/Off (maintained contacts)



EQ 3-PHASE DUAL SPEED VFD HOIST WITH PUSH OR GEARED TROLLEY — SPECIFICATIONS

| Cap. (Tons) | Product Code | Standard Lift (ft) | Push Button Cord L (ft) | Lifting Speed ² (ft/min) | | | Lifting Motor ¹ 3-Phase 50/60 Hz | | | Flange Width Adjustability ³ B (in) | | Minimum ⁴ Allow. Radius for Curve (in) | Load Chain Diameter (mm) x Chain Fall Lines | Net Weight ³ (lbs) | Weight for Additional One Foot of Lift (lbs) |
|-------------|--------------|--------------------|-------------------------|-------------------------------------|-----|--------------------|---|----------------------|-----------|--|--|---|---|-------------------------------|--|
| | | | | High | Low | No Load High Speed | Output (Hp) | Rated Current (amps) | | Standard | Optional | | | | |
| | | | | | | | | @208-230V | @380-460V | | | | | | |
| 1/8 | EQ(P/G)001SD | 10 | 8.2 | 56 | 9.3 | 72 | 0.67 | 5.1 | 2.8 | 2.28 to 4.00 (2.28 to 5.00) | 4.01 to 8.00 (5.01 to 8.00) OR 8.01 to 12.00 | 43.3 (51.2) | 5.6 x 1 | 75 (97) | 0.48 |
| 1/4 | EQ(P/G)003SD | | | 33 | 5.5 | 43 | | | | | | | | 75 (99) | |
| 1/2 | EQ(P/G)005SD | | | 25 | 4.2 | 32 | 1.0 | 6.3 | 3.3 | 79 (104) | | | | | |
| 1 | EQ(P/G)010SD | | | 23 | 3.8 | 30 | 2.0 | 10.5 | 5.5 | 2.28 to 5.00 | 5.01 to 8.00 OR 8.01 to 12.00 | 51.2 | 7.1 x 1 | 108 (123) | |

1) Although different voltages are shown, motors are NOT re-connectable and voltage can NOT be changed due to electrical components being voltage specific.
 2) Speeds are adjustable between low and high speed.
 3) Figures in parentheses are data for geared trolley if different than push trolley.
 4) Minimum Flange Width for curved beam: 1 Ton Push and 1/8 to 1 Ton Geared = 2.87 in.

EQ 3-PHASE DUAL SPEED VFD HOIST WITH PUSH TROLLEY — DIMENSIONS

| Cap. (Tons) | Product Code | Headroom C (in) | D (in) | a (in) | b (in) | e (in) | g (in) | h (in) | i (in) | j (in) | k (in) | m (in) | n (in) | r (in) | t (in) |
|-------------|--------------|-----------------|--------|--------|--------|--------|--------|--------|--------|--------|--------|--------|--------|--------|--------|
| 1/8 | EQP001SD | 16.3 | 19.9 | 10.4 | 7.2 | 1.8 | 1.1 | 3.2 | 2.4 | 0.75 | 3.0 | 1.9 | 3.3 | 1.5 | 0.87 |
| 1/4 | EQP003SD | | | | | | | | | | | | | | |
| 1/2 | EQP005SD | | | | | | | | | | | | | | |
| 1 | EQP010SD | 19.3 | 22.2 | 11.2 | 9.3 | 2.2 | 1.2 | 4.2 | 2.8 | 0.98 | 3.7 | 2.2 | 4.4 | 2.0 | 0.98 |

EQ 3-PHASE DUAL SPEED VFD HOIST WITH GEARED TROLLEY — DIMENSIONS

| Cap. (Tons) | Product Code | Headroom C (in) | D (in) | E (ft) | a (in) | b (in) | e (in) | g (in) | h (in) | i (in) | j (in) | k (in) | k' (in) | m (in) | n (in) | r (in) | t (in) |
|-------------|--------------|-----------------|--------|--------|--------|--------|--------|--------|--------|--------|--------|--------|---------|--------|--------|--------|--------|
| 1/8 | EQG001SD | 16.7 | 20.3 | 10.5 | 20.9 | 9.3 | 13.3 | 1.1 | 4.2 | 2.8 | 1.1 | 3.7 | 4.2 | 2.2 | 4.4 | 2.0 | 0.98 |
| 1/4 | EQG003SD | | | | | | | | | | | | | | | | |
| 1/2 | EQG005SD | | | | | | | | | | | | | | | | |
| 1 | EQG010SD | | | | | | | 19.3 | | | | | | | | | |