

SNATCH BLOCK WITH SHACKLE FITTING, SINGLE SHEAVE, 2-12t



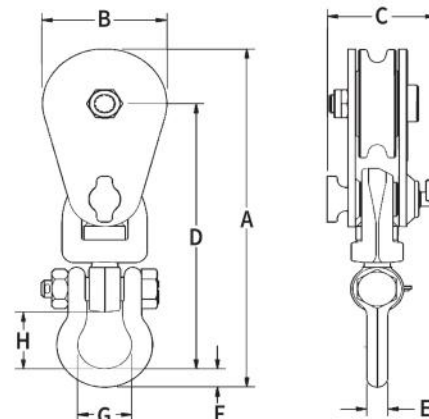
L-170



L-160



417



- Opening feature permits easy insertion of rope without reeving, or while the block is suspended.
- Bolt for opening feature is retained, to ensure no lost bolts.
- Forged steel swivel tees, yokes and shackles.
- Can be furnished with bronze bushings or roller bearings.
- Center pin equipped with pressure lube fitting.
- All sizes feature sheave grooves suited for a range of wireline diameters.
- Meets or exceeds all requirements of ASME B30.26. Importantly, these blocks meet other critical performance requirements including fatigue life and material traceability, not addressed by ASME B30.26.
- 417 alloy snatch blocks feature a significant reduction in weight compared to snatch blocks made of non-alloy materials.
- L-170 snatch blocks (with shackle or hook) feature an easy-to-open bolt design. The retaining bolt is released by rotating the fitting assembly, no tools required.
- Crosby's Engineered Solutions Group is ready to discuss your requirements and help select or develop the ideal block for your application.
- Visit thecrosbygroup.com/engineeredolutions for more information.



APPLICATION AND WARNING INFORMATION
SECTION 17

Working Load Limit (t)	Wire Rope Diameter (in)	Sheave Diameter (in)	Bearing Code	Weight Each (lb)	Catalog No.	Stock No.	Dimensions (in)								
							A	B	C	D	E	F	G	H	
2 metric tons															
2	5/16 - 3/8	3	BB	4	419 w/Eye	109037†	8.67	3.00	2.64	6.61	0.56	0.56	1.38	1.38	
2	5/16 - 3/8	3	BB	5	419	109091	9.27	3.00	2.64	7.27	0.50	0.50	1.32	1.56	
4 metric tons															
4	3/8 - 1/2	4.5	BB	12	419	109064	13.38	4.24	3.13	10.57	0.62	0.69	1.70	2.00	
5 metric tons															
5	3/8 - 1/2 ‡	4	BB	11	L-170	599828	13.88	4.50	2.94	10.94	0.62	0.69	1.70	2.00	
5	3/8 - 1/2 ‡	4	RB	11	L-170	599837	13.88	4.50	2.94	10.94	0.62	0.69	1.70	2.00	
6 metric tons															
6*	3/8 - 1/2	5	BB	13	L-160	599524	13.82	5.12	3.69	10.57	0.62	0.69	1.70	2.00	
6*	3/8 - 1/2	5	RB	13	L-160	599533	13.82	5.12	3.69	10.57	0.62	0.69	1.70	2.00	
8 metric tons															
8	5/8 - 3/4	6	BB	28	419	109126	18.93	6.00	4.19	14.68	1.25	1.25	3.00	3.47	
8	5/8 - 3/4	6	RB	28	419	109153	18.93	6.00	4.19	14.68	1.25	1.25	3.00	3.47	
8	5/8 - 3/4	8	BB	33	419	109224	20.99	8.12	4.19	15.68	1.25	1.25	3.00	3.47	
8	5/8 - 3/4	8	RB	33	419	109251	20.99	8.12	4.19	15.68	1.25	1.25	3.00	3.47	
8	5/8 - 3/4	10	BB	43	419	109322	23.06	10.12	4.19	16.75	1.25	1.25	3.00	3.47	
8	5/8 - 3/4	10	RB	43	419	109359	23.06	10.12	4.19	16.75	1.25	1.25	3.00	3.47	
8	5/8 - 3/4	12	BB	55	419	109420	25.87	12.12	4.19	18.56	1.25	1.25	3.00	3.47	
8	5/8 - 3/4	12	RB	55	419	109457	25.87	12.12	4.19	18.56	1.25	1.25	3.00	3.47	
8	5/8 - 3/4	14	BB	67	419	109527	27.37	14.12	4.19	19.06	1.25	1.25	3.00	3.47	
8	5/8 - 3/4	14	RB	67	419	109545	27.37	14.12	4.19	19.06	1.25	1.25	3.00	3.47	
12 metric tons															
12*	5/8 - 3/4	5.75	BB	29	L-160	599588	19.03	6.00	4.19	14.78	1.25	1.25	3.00	3.47	
12*	5/8 - 3/4	5.75	RB	29	L-160	599597	19.03	6.00	4.19	14.78	1.25	1.25	3.00	3.47	
12	3/4 - 7/8	6	BB	28	417	168972	18.93	6.00	4.19	14.68	1.25	1.25	3.00	3.47	
12	3/4 - 7/8	6	RB	28	417	193757	18.93	6.00	4.19	14.68	1.25	1.25	3.00	3.47	
12	3/4 - 7/8	8	BB	34	417	168990	20.99	8.12	4.19	15.68	1.25	1.25	3.00	3.47	
12	3/4 - 7/8	8	RB	34	417	193819	20.99	8.12	4.19	15.68	1.25	1.25	3.00	3.47	
12	3/4 - 7/8	10	BB	42	417	193882	23.06	10.12	4.19	16.75	1.25	1.25	3.00	3.47	
12	3/4 - 7/8	10	RB	42	417	193935	23.06	10.12	4.19	16.75	1.25	1.25	3.00	3.47	

4:1 Design Factor. *3.5:1 Design Factor. † Fitted with 1-1/4" ID Swivel Eye. ‡ Special Dual Groove Sheave also accepts 1-1/4" Manilla Rope.