



MA Series Hoist

Hand Chain Hoist

1/2 to 30 Metric ton Capacity



FEATURES

- ▶ Increased efficiency by additional pinion shaft bearing and close tolerances.
- ▶ Hook blocks are bolted allowing complete hook inspection.
- ▶ Lightweight and durable all steel construction with powder coated finish and plated frame components to resist corrosion.
- ▶ Premium USA-Made Grade 80 Zinc plated alloy load chain.
- ▶ Hand chain opening is formed with a radius for smooth operation.
- ▶ Sealed ball bearings on the chain wheel maximize efficiency and serviceability.
- ▶ Self adjusting double pawl disc type mechanical load brake insures positive load control.
- ▶ Double roller guide insures load chain tracking.
- ▶ Optional Overload Protection is a one directional clutch that will only slip in the lift direction.
- ▶ Meets: ASME/ANSI B30.16, OSHA, NASA-STD-8719.9 and EU Directives: 98/37/EC
- ▶ ATEX rated Ex II 3 GD c IIB 54° C X for limited use in Hazardous Environments.



Plated Frame and Guide Components with Rounded Hand Chain Entrance

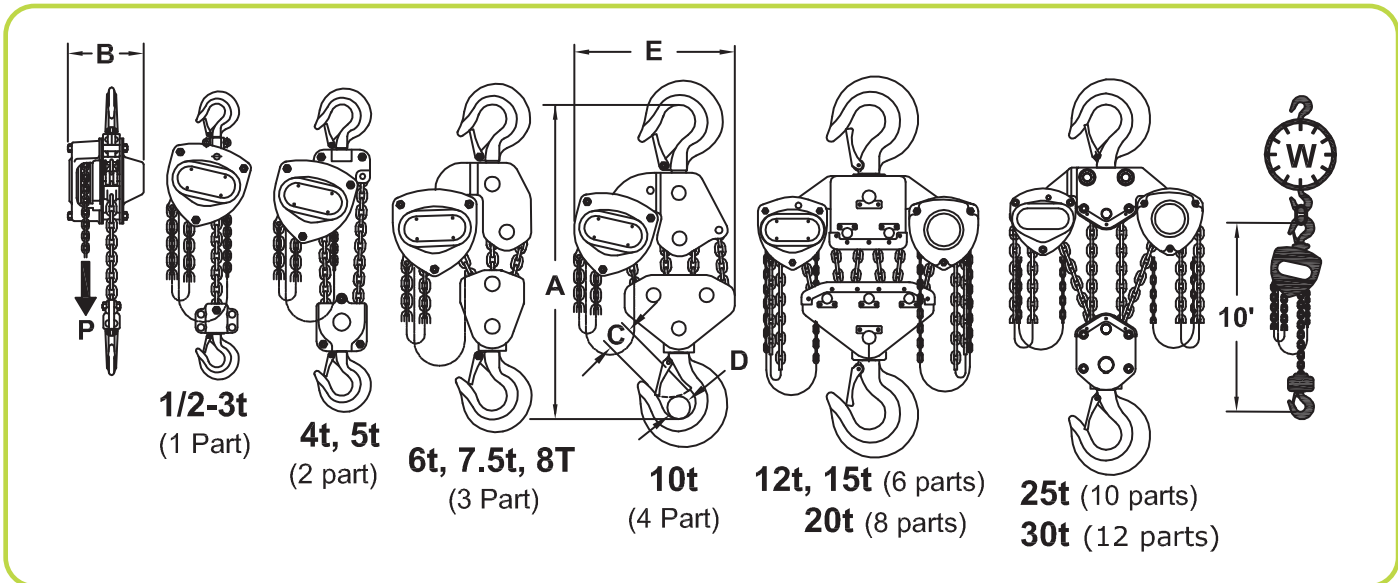
Zinc Plated Chains



Before using these products; read and follow instructions in the operator's manual. Never exceed capacity. Do not use for lifting people or loads over people.

Final assembly and re-testing in the USA





Base Model	Capacity (WLL)	Specifications (inches and pounds)							Effort "P" @WLL"	"W ft. lift"	"W 10 ft. lift"
		Parts	Chain	A	B	C	D	E			
MA005	1/2t / 1100 lbs	1	C5 x 15z	13.6	5.4	0.93	0.83	5.7	50	0.74	24
MA010	1t / 2200 lbs	1	C6 x 18z	14.8	6	1.02	0.98	6.3	63	0.92	27
MA015	1 1/2t / 3300 lbs	1	C7 x 21z	17.4	6.8	1.28	1.2	7.2	66	1.12	39
MA020	2t / 4400 lbs	1	C8 x 24z	18.5	7	1.38	1.28	8	74	1.3	43
MA030	3t / 6600 lbs	1	C10 x 28z	21.7	8.1	1.5	1.42	10	84	1.88	77
MA040	4t / 8800 lbs	2	C9 x 27z	27.1	7.4	1.67	1.57	9.8	62	2.88	90
MA050	5t / 11000 lbs	2	C9 x 27z	27.1	7.4	1.67	1.57	9.8	78	2.88	90
MA060	6t / 13200 lbs	3	C9 x 27z	29.8	7.4	1.93	1.81	16.9	63	4.13	135
MA075	7.5t / 16500 lbs	3	C9 x 27z	29.8	7.4	1.93	1.81	16.9	79	4.13	135
MA080	8T / 16000 lbs	3	C9 x 27z	29.8	7.4	1.93	1.81	16.9	79	4.13	135
MA100	10t / 22000 lbs	4	C9 x 27z	33.9	7.4	1.93	1.81	18.1	83	5.38	173
MA120	12t / 26400 lbs	6	C9 x 27z	42.9	7.9	3.19	2.95	28.3	72x2	8.26	341
MA150	15t / 33000 lbs	6	C9 x 27z	42.9	7.9	3.19	2.95	28.3	90x2	8.26	341
MA200	20t / 44000 lbs	8	C9 x 27z	46.1	7.9	3.19	2.95	33.5	98x2	10.76	418
MA250	25t / 55000 lbs	10	C9 x 27z	47.2	13.9	3.19	2.95	27.5	107x2	13.26	462
MA300	30t / 66000 lbs	12	C10 x 28z	57.1	17.8	3.19	2.95	29.5	108x2	22.56	590

(1) Shipping weight can be estimated by adding approx. 15% to "W" hanging weight.

Standard lift = 10, 15 and 20 ft. Hand chain drop is 2 ft less than lift. Custom lifts are available.

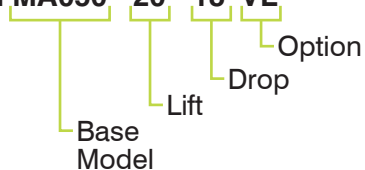
Option: V= Overload Protection, new design one-way operation that will lower any load.

L = Self-Locking Hook Option. (1 through 5t)

Custom Lifts and Drops

How to Order, by descriptive model number

Example: Model MA050 - 20 - 18 VL



Self-Locking Hook Option
(Fits into Standard Hook Block)



Before using these products; read and follow instructions in the operator's manual. Never exceed capacity. Do not use for lifting people or loads over people.