

**ROTHLEY**

# TRADE CATALOGUE 2023

**Rothley Limited**  
Unit 2 Discovery Park, Wobaston Road,  
Wolverhampton WV10 6QJ, United Kingdom

**Sales**  
Tel: +44 (0) 1902 774 646

**Head office**  
Tel: +44 (0) 1902 756 461

**Email**  
sales@rothley.com

**Website**  
www.rothley.com

TRADE CATALOGUE 2023

ROTHLEY

**Conditions of sale**  
Carriage Paid Orders  
£150 Net Invoice Value, UK Mainland only.  
Northern Ireland, Isle of Man and Channel Islands please contact Sales department

**Export**  
Please contact our Sales department

**Payment**  
Strictly Net Monthly Account.  
A full copy of Rothley's Terms & Conditions of Sale is available on request




BOOK042023





**ROTHLEY**


# We're Your Specialists in...

 The establishment of our **Global Supply Chain Office & Global Manufacturing facility in China** allows us to keep complete control of production, removing the need for third parties or increased costs. Rothley can provide **complete supply chain transparency**.

 Our **Insight & Innovation Department** research global markets, design trends and social networking channels to ensure we can **provide our customers with affordable, yet highly desirable products** that consumers want. This has led to the launch of our colour range of trending hardware finishes that complement all modern homes and interiors.

 We are **committed to reducing our impact on the environment** where we can. We have **reduced the use of plastics** in our packaging, removing it completely from all NPD (New Product Development) ranges.

 By removing the need for multiple suppliers, we have the ability to **consolidate stock**, reducing the time taken to ship and the cost of freight. This also ensures there is **no wasted space per container**.

 By using materials such as stainless steel we can reduce wall thickness's of rails without losing any strength, therefore reducing product weight and **reducing cost due to better volumetrics**.

# Contents

04

RUK Profiles & Sheets

62

Drawer Slides

18

Rail

64

Storage

24

Fittings

72

Hook Rails

32

Legs

74

Shelving

40

Handrail System

83

Safety Rails

45

Sliding Door Systems

87

Curtain Poles

# RUK Profiles & Sheets

With a rich industry experience and a strong focus on trend forecasting, our organisation has been adept at identifying the gaps prevalent in the market. Our comprehensive range is meticulously designed to cater to these long-neglected areas, empowering you to undertake home projects with utmost precision and attention to detail.

Our RUK profiles, far from being merely colour-matching tools, can serve as a transformative element in revamping any space, breathing a fresh lease of life into an otherwise mundane decor. Furthermore, they play a pivotal role in upcycling projects, facilitating the enhancement and extension of your favourite furniture's lifespan.

## Profile

### Aluminium: Flat Bar

Code	Section	Length (m)	Product Details	Width (mm)	Thickness (mm)	Pack/Box Quantity
RK01013A10	Flat Bar	1.0	Anodised Aluminium	15	2.0	5
RK05013A20	Flat Bar	2.0	Anodised Aluminium	15	2.0	5
RK01010A10	Flat Bar	1.0	Anodised Aluminium	20	2.0	5
RK05010A20	Flat Bar	2.0	Anodised Aluminium	20	2.0	5
RK01012A10	Flat Bar	1.0	Anodised Aluminium	25	2.0	5
RK01014A10	Flat Bar	1.0	Anodised Aluminium	30	2.0	5
RK01210A10	Flat Bar	1.0	Chrome Plated	20	2.0	5
RK01212A10	Flat Bar	1.0	Chrome Plated	25	2.0	5
RK02210A10	Flat Bar	1.0	Stainless Steel	20	2.0	5
RK25804A10	Flat Bar	1.0	Natural Aluminium	11.5	2.0	5
RK25806A10	Flat Bar	1.0	Natural Aluminium	15.5	2.0	5
RK25826A25	Flat Bar	2.5	Natural Aluminium	15.5	2.0	5
RK25808A10	Flat Bar	1.0	Natural Aluminium	19.5	2.0	5
RK25828A25	Flat Bar	2.5	Natural Aluminium	19.5	2.0	5
RK25810A10	Flat Bar	1.0	Natural Aluminium	23.5	2.0	5
RK25830A25	Flat Bar	2.5	Natural Aluminium	23.5	2.0	5
RK25814A10	Flat Bar	1.0	Natural Aluminium	35.5	3.0	5
RK80041A10	Flat Bar	1.0	Natural Aluminium	40	2.0	5

### Hot Rolled Steel: Flat Bar

Code	Section	Length (m)	Product Details	Width (mm)	Thickness (mm)	Pack/Box Quantity
RK34310S10	Flat Bar	1.0	Blue Steel	10	4.0	5
RK34312S10	Flat Bar	1.0	Blue Steel	14	5.0	5
RK34313S10	Flat Bar	1.0	Blue Steel	20	4.0	5
RK34315S10	Flat Bar	1.0	Blue Steel	25	4.0	5
RK34515S20	Flat Bar	2.0	Blue Steel	25	4.0	5
RK34318S10	Flat Bar	1.0	Blue Steel	30	4.0	5
RK34319S10	Flat Bar	1.0	Blue Steel	30	6.0	5
RK34518S20	Flat Bar	2.0	Blue Steel	30	4.0	5
RK34320S10	Flat Bar	1.0	Blue Steel	35	6.0	5
RK80038S10	Flat Bar	1.0	Blue Steel	30	4.0	5

### Drawn Steel: Flat Bar

Code	Section	Length (m)	Product Details	Width (mm)	Thickness (mm)	Pack/Box Quantity
RK34450S10	Flat Bar	1.0	Steel Grey	10	2.0	5
RK34451S10	Flat Bar	1.0	Steel Grey	16	2.0	5
RK34452S10	Flat Bar	1.0	Steel Grey	20	2.0	5
RK34454S10	Flat Bar	1.0	Steel Grey	30	2.0	5

### Cold Rolled Steel: Flat Bar

Code	Section	Length (m)	Product Details	Width (mm)	Thickness (mm)	Pack/Box Quantity
RK39406S10	Flat Bar	1.0	Galvanised	23.5	1.2	5
RK39400S10	Flat Bar	1.0	Galvanised	35.5	1.5	5
RK80039S10	Flat Bar	1.0	Galvanised	40.0	1.5	5
RK39013S10	Flat Bar Slotted	1.0	Galvanised	23.5	1.2	5
RK39003S10	Flat Bar Slotted	1.0	Galvanised	35.5	1.5	5

## Profile

### Perforated Steel: Flat Bar

Code	Section	Length (m)	Product Details	Width (mm)	Thickness (mm)	Pack/Box Quantity
RK80040S10	Flat Bar	1.0	Perforated Steel	40	2.0	5

### PVC: Flat Bar

Code	Section	Length (m)	Product Details	Width (mm)	Thickness (mm)	Pack/Box Quantity
DG21846P10	Flat Bar	1.0	Dark Granite	15.5	2.0	5
DG21850P10	Flat Bar	1.0	Dark Granite	23.5	2.0	5
DM21846P10	Flat Bar	1.0	Dark Marble	15.5	2.0	5
DM21850P10	Flat Bar	1.0	Dark Marble	23.5	2.0	5
LG21846P10	Flat Bar	1.0	Light Granite	15.5	2.0	5
LG21850P10	Flat Bar	1.0	Light Granite	23.5	2.0	5
LM21846P10	Flat Bar	1.0	Light Marble	15.5	2.0	5
LM21850P10	Flat Bar	1.0	Light Marble	23.5	2.0	5
RK21846P10	Flat Bar	1.0	Matt White	15.5	2.0	5
RK21848P10	Flat Bar	1.0	Matt White	19.5	2.0	5
RK21850P10	Flat Bar	1.0	Matt White	23.5	2.0	5

### Anodised Aluminium: Round Bar

Code	Section	Length (m)	Product Details	Diameter (mm) Ø	Pack/Box Quantity
RK01033A10	Round Bar	1.0	Anodised Aluminium	4.0	5
RK01034A10	Round Bar	1.0	Anodised Aluminium	6.0	5

### Stainless Steel: Round Bar

Code	Section	Length (m)	Product Details	Diameter (mm) Ø	Pack/Box Quantity
RK34031S10	Round Bar	1.0	Stainless Steel	8.0	5

### Steel: Threaded Bar

Code	Section	Length (m)	Product Details	Size	Pack/Box Quantity
RK80045S10	Threaded Bar	1.0	Steel	M4	5
RK80046S10	Threaded Bar	1.0	Steel	M5	5
RK80047S10	Threaded Bar	1.0	Steel	M6	5
RK80045S10	Threaded Bar	1.0	Steel	M8	5
RK80055S10	Threaded Bar	1.0	Steel	M10	5
RK80006S10	Threaded Bar	1.0	Steel	M12	5

### Drawn Steel: Round Bar

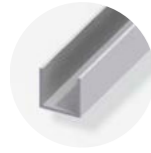
Code	Section	Length (m)	Product Details	Diameter (mm) Ø	Pack/Box Quantity
RK34460S10	Round Bar	1.0	Steel Grey	4.0	5
RK34461S10	Round Bar	1.0	Steel Grey	5.0	5
RK80004S10	Round Bar	1.0	Steel Grey	6.0	5
RK80006S10	Round Bar	1.0	Steel Grey	8.0	5
RK34463S10	Round Bar	1.0	Steel Grey	8.0	5
RK34551S20	Round Bar	2.0	Steel Grey	8.0	5

## Profile



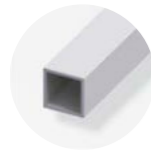
### Hot Rolled Steel: Ribbed Steel

Code	Section	Length (m)	Product Details	Diameter (mm) Ø	Pack/Box Quantity
RK34443S10	Ribbed Steel	1.0	Steel Grey	6.0	5
RK34444S10	Ribbed Steel	1.0	Steel Grey	8.0	5



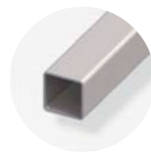
### Aluminium: U Profile

Code	Section	Length (m)	Product Details	External Dimensions (mm)	Thickness (mm)	Pack/Box Quantity
RK25406A10	U Profile	1.0	Natural Aluminium	15.5 x 15.5	1.5	5
RK25426A25	U Profile	2.5	Natural Aluminium	15.5 x 15.5	1.5	5
RK25484A10	U Profile	1.0	Natural Aluminium	19.5 x 11.5	1.5	5
RK01063A10	U Profile	1.0	Natural Aluminium	19.5 x 19.5	1.5	5
RK25408A10	U Profile	1.0	Natural Aluminium	19.5 x 19.5	1.5	5
RK01065A10	U Profile	1.0	Silver Anodised	10.1 x 8	1.3	5
RK05065A20	U Profile	2.0	Silver Anodised	10.1 x 8	1.3	5
RK01061A10	U Profile	1.0	Silver Anodised	13.5 x 10	1.5	5
RK01062A10	U Profile	1.0	Silver Anodised	16.5 x 10	1.5	5
RK01063A10	U Profile	1.0	Silver Anodised	19.5 x 10	1.5	5



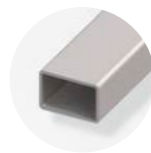
### Aluminium: Square Tube

Code	Section	Length (m)	Product Details	External Dimensions (mm)	Thickness (mm)	Pack/Box Quantity
RK25166A10	Square Tube	1.0	Natural Aluminium	15.5 x 15.5	1.5	5
RK25168A10	Square Tube	1.0	Natural Aluminium	19.5 x 19.5	1.5	5
RK01072A10	Square Tube	1.0	Silver Anodised	10 x 10	1.0	5
RK01073A10	Square Tube	1.0	Silver Anodised	15 x 15	1.0	5
RK01071A10	Square Tube	1.0	Silver Anodised	25 x 25	1.5	5



### Cold Rolled Steel: Square Tube

Code	Section	Length (m)	Product Details	External Dimensions (mm)	Thickness (mm)	Pack/Box Quantity
RK34396S10	Square Tube	1.0	Steel Grey	20 x 20	1.25	5
RK34596S20	Square Tube	2.0	Steel Grey	20 x 20	1.25	5
RK34397S10	Square Tube	1.0	Steel Grey	25 x 25	1.5	5
RK34597S20	Square Tube	2.0	Steel Grey	25 x 25	1.5	5



### Cold Rolled Steel: Rectangular Tube

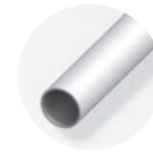
Code	Section	Length (m)	Product Details	External Dimensions (mm)	Thickness (mm)	Pack/Box Quantity
RK34410S10	Rectangular Tube	1.0	Steel Grey	30 x 20	1.5	5



### Natural Aluminium: Corner Bead

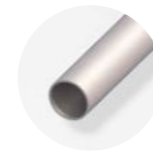
Code	Section	Length (m)	Product Details	External Dimensions (mm)	Thickness (mm)	Pack/Box Quantity
RK79960A25	Equal-Sided Angle	2.5	Natural Aluminium	25 x 25	0.3	5

## Profile



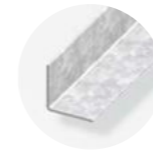
### Anodised Aluminium: Round Tube

Code	Section	Length (m)	Product Details	Diameter (mm) Ø	Thickness (mm)	Pack/Box Quantity
RK01021A10	Round Tube	1.0	Silver Anodised	8	1.0	5
RK01022A10	Round Tube	1.0	Silver Anodised	10	1.0	5
RK05022A20	Round Tube	2.0	Silver Anodised	10	1.0	5
RK05023A10	Round Tube	1.0	Silver Anodised	12	1.0	5
RK05023A20	Round Tube	2.0	Silver Anodised	12	1.0	5
RK01024A10	Round Tube	1.0	Silver Anodised	16	1.0	5
RK01025A10	Round Tube	1.0	Silver Anodised	25	1.5	5



### Cold Rolled Steel: Round Tube

Code	Section	Length (m)	Product Details	Width (mm) Ø	Thickness (mm)	Pack/Box Quantity
RK34330S10	Round Tube	1.0	Steel Grey	6	1.0	5
RK34332S10	Round Tube	1.0	Steel Grey	10	1.0	5
RK34333S10	Round Tube	1.0	Steel Grey	12	1.0	5



### Cold Rolled Steel: Equal-Sided Angle

Code	Section	Length (m)	Product Details	External Dimensions (mm)	Thickness (mm)	Pack/Box Quantity
RK39401S10	Equal-Sided Angle	1.0	Galvanised	15.5 x 15.5	0.75	5
RK39402S10	Equal-Sided Angle	1.0	Galvanised	23.5 x 23.5	1.2	5
RK39422S25	Equal-Sided Angle	2.5	Galvanised	23.5 x 23.5	1.2	5
RK39403S10	Equal-Sided Angle	1.0	Galvanised	35.5 x 35.5	1.5	5
RK39111S25	Equal-Sided Angle	2.5	Galvanised Slotted	23.5 x 23.5	1.2	5
RK39001S10	Equal-Sided Angle	1.0	Galvanised Slotted	35.5 x 35.5	1.5	5
RK39101S25	Equal-Sided Angle	2.5	Galvanised Slotted	35.5 x 35.5	1.5	5



### Cold Rolled Steel: Unequal-Sided Angle

Code	Section	Length (m)	Product Details	Diameter (mm)	Thickness (mm)	Pack/Box Quantity
RK39404S10	Unequal-Sided Angle	1.0	Galvanised	43.5 x 23.5	1.2	5



### Cold Rolled Steel: Equal-Sided Angle

Code	Section	Length (m)	Product Details	External Dimensions (mm)	Thickness (mm)	Pack/Box Quantity
RK34362S10	Equal-Sided Angle	1.0	Steel Grey	20 x 20	1.25	5
RK34363S10	Equal-Sided Angle	1.0	Steel Grey	25 x 25	1.25	5



### Hot Rolled Steel: Equal-Sided Angle

Code	Section	Length (m)	Product Details	External Dimensions (mm)	Thickness (mm)	Pack/Box Quantity
RK34364S10	Equal-Sided Angle	1.0	Blue Steel	20 x 20	3.0	5
RK34564S20	Equal-Sided Angle	2.0	Blue Steel	20 x 20	3.0	5
RK34366S10	Equal-Sided Angle	1.0	Blue Steel	30 x 30	3.0	5
RK34566S20	Equal-Sided Angle	2.0	Blue Steel	30 x 30	3.0	5
RK34367S10	Equal-Sided Angle	1.0	Blue Steel	35 x 35	3.0	5

## Profile



### Aluminium: Unequal-Sided Angle

Code	Section	Length (m)	Product Details	External Dimensions (mm)	Thickness (mm)	Pack/Box Quantity
AB05050A20	Unequal-Sided	2.0	Antique Brass	20 x 10	1.5	5
AB05051A20	Unequal-Sided	2.0	Antique Brass	25 x 20	1.5	5
AB25666A25	Unequal-Sided	2.5	Antique Brass	27.5 x 15.5	1.5	5
AB05052A20	Unequal-Sided	2.0	Antique Brass	30 x 20	2.0	5
AB60006A25	Unequal-Sided	2.5	Antique Brass	35.5 x 19.5	1.5	5
AC05050A20	Unequal-Sided	2.0	Antique Copper	20 x 10	1.5	5
AC05051A20	Unequal-Sided	2.0	Antique Copper	25 x 20	1.5	5
AC05052A20	Unequal-Sided	2.0	Antique Copper	30 x 20	2.0	5
AC25666A25	Unequal-Sided	2.5	Antique Copper	27.5 x 15.5	1.5	5
AC60006A25	Unequal-Sided	2.5	Antique Copper	35.5 x 19.5	1.5	5
RK01250A10	Unequal-Sided	1.0	Chrome Plated	20 x 10	1.0	5
SB05050A20	Unequal-Sided	2.0	Ice Silver	20 x 10	1.5	5
SB05051A20	Unequal-Sided	2.0	Ice Silver	25 x 20	1.5	5
SB05052A20	Unequal-Sided	2.0	Ice Silver	30 x 20	2.0	5
SB25666A25	Unequal-Sided	2.5	Ice Silver	27.5 x 15.5	1.5	5
SB60006A25	Unequal-Sided	2.5	Ice Silver	35.5 x 19.5	1.5	5
MB05050A20	Unequal-Sided	2.0	Matt Black	20 x 10	1.5	5
MB05051A20	Unequal-Sided	2.0	Matt Black	25 x 20	1.5	5
MB25666A25	Unequal-Sided	2.5	Matt Black	27.5 x 15.5	1.5	5
MB05052A20	Unequal-Sided	2.0	Matt Black	30 x 20	2.0	5
MB60006A25	Unequal-Sided	2.5	Matt Black	35.5 x 19.5	1.5	5
PE05050A20	Unequal-Sided	2.0	Pewter	20 x 10	1.5	5
PE05051A20	Unequal-Sided	2.0	Pewter	25 x 20	1.5	5
PE25666A25	Unequal-Sided	2.5	Pewter	27.5 x 15.5	1.5	5
PE05052A20	Unequal-Sided	2.0	Pewter	30 x 20	2.0	5
PE60006A25	Unequal-Sided	2.5	Pewter	35.5 x 19.5	1.5	5
RG05050A20	Unequal-Sided	2.0	Rose Gold	20 x 10	1.5	5
RG05051A20	Unequal-Sided	2.0	Rose Gold	25 x 20	1.5	5
RG25666A25	Unequal-Sided	2.5	Rose Gold	27.5 x 15.5	1.5	5
RG05052A20	Unequal-Sided	2.0	Rose Gold	30 x 20	2.0	5
RG60006A25	Unequal-Sided	2.5	Rose Gold	35.5 x 19.5	1.5	5
RK01050A10	Unequal-Sided	1.0	Silver Anodised	20 x 10	1.5	5
RK05050A20	Unequal-Sided	2.0	Silver Anodised	20 x 10	1.5	5
RK01051A10	Unequal-Sided	1.0	Silver Anodised	25 x 20	1.5	5
RK05051A20	Unequal-Sided	2.0	Silver Anodised	25 x 20	1.5	5
RK01052A10	Unequal-Sided	1.0	Silver Anodised	30 x 20	2.0	5
RK05052A20	Unequal-Sided	2.0	Silver Anodised	30 x 20	2.0	5
RK05054A20	Unequal-Sided	2.0	Silver Anodised	35 x 20	2.0	5
RK01053A10	Unequal-Sided	1.0	Silver Anodised	40 x 15	1.5	5
RK25642A10	Unequal-Sided	1.0	Natural Aluminium	12.5 x 7.5	1.0	5
RK25644A10	Unequal-Sided	1.0	Natural Aluminium	19.5 x 11.5	1.5	5
RK80019A25	Unequal-Sided	2.5	Natural Aluminium	20 x 15	1.5	5
RK25646A10	Unequal-Sided	1.0	Natural Aluminium	27.5 x 15.5	1.5	5
RK25666A25	Unequal-Sided	2.5	Natural Aluminium	27.5 x 15.5	1.5	5
RK25648A10	Unequal-Sided	1.0	Natural Aluminium	35.5 x 19.5	1.5	5
RK25650A10	Unequal-Sided	1.0	Natural Aluminium	43.5 x 23.5	1.5	5

## Profile



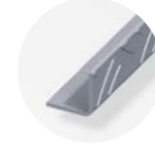
### Anodised Aluminium: Step Edging Profile

Code	Section	Length (m)	Product Details	External Dimensions (mm)	Thickness (mm)	Pack/Box Quantity
RK01452A10	Step Edging Profile	1.0	Drilled	41 x 23	1.5	5
RK05452A20	Step Edging Profile	2.0	Drilled	41 x 23	1.5	5



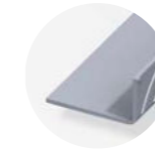
### Anodised Aluminium: Edge Protection

Code	Section	Length (m)	Product Details	External Dimensions (mm)	Thickness (mm)	Pack/Box Quantity
RK01402A10	Edge Protecting Profile	1.0	Silver Anodised	14 x 10	1.5	5
RK01401A10	Edge Protecting Profile	1.0	Silver Anodised	19.6 x 8	1.6	5
RK05401A20	Edge Protecting Profile	2.0	Silver Anodised	19.6 x 8	1.6	5



### Raw Aluminium: Equal-Sided Angle

Code	Section	Length (m)	Product Details	External Dimensions (mm)	Thickness (mm)	Pack/Box Quantity
RK27840A10	Equal-Sided Angle	1.0	Checker Plate	23.5 x 23.5	1.5 (+ 0.5)	5
RK27841A25	Equal-Sided Angle	2.5	Checker Plate	23.5 x 23.5	1.5 (+ 0.5)	5
RK27850A10	Equal-Sided Angle	1.0	Checker Plate	29.5 x 29.5	1.5 (+ 0.5)	5
RK27851A25	Equal-Sided Angle	2.5	Checker Plate	29.5 x 29.5	1.5 (+ 0.5)	5
RK27860A10	Equal-Sided Angle	1.0	Checker Plate	35.5 x 35.5	1.5 (+ 0.5)	5



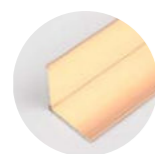
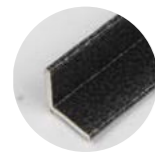
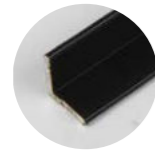
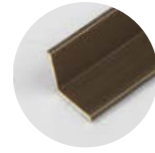
### Raw Aluminium: Unequal-Sided Angle

Code	Section	Length (m)	Product Details	External Dimensions (mm)	Thickness (mm)	Pack/Box Quantity
RK27890A10	Unequal-Sided Angle	1.0	Checker Plate	43.5 x 23.6	1.5 (+ 0.5)	5
RK27891A25	Unequal-Sided Angle	2.5	Checker Plate	43.5 x 23.5	1.5 (+ 0.5)	5
RK27900A10	Unequal-Sided Angle	1.0	Checker Plate	53.6 x 29.5	1.5 (+ 0.5)	5
RK27901A25	Unequal-Sided Angle	2.5	Checker Plate	53.6 x 29.5	1.5 (+ 0.5)	5

## Profile

### Aluminium: Equal-Sided Angle

Code	Section	Length (m)	Product Details	External Dimensions (mm)	Thickness (mm)	Pack/Box Quantity
AB25584A25	Equal-Sided Angle	2.5	Antique Brass	11.5 x 11.5	1.5	5
AB05041A20	Equal-Sided Angle	2.0	Antique Brass	15 x 15	1.0	5
AB60003A25	Equal-Sided Angle	2.5	Antique Brass	15.5 x 15.5	1.5	5
AB60004A25	Equal-Sided Angle	2.5	Antique Brass	19.5 x 19.5	1.5	5
AB05042A20	Equal-Sided Angle	2.0	Antique Brass	20 x 20	1.5	5
AB25590A25	Equal-Sided Angle	2.5	Antique Brass	23.5 x 23.5	1.5	5
AB05043A20	Equal-Sided Angle	2.0	Antique Brass	25 x 25	1.5	5
AB25592A25	Equal-Sided Angle	2.5	Antique Brass	29.5 x 29.5	2.4	5
AC25584A25	Equal-Sided Angle	2.5	Antique Copper	11.5 x 11.5	1.5	5
AC05041A20	Equal-Sided Angle	2.0	Antique Copper	15 x 15	1.0	5
AC60003A25	Equal-Sided Angle	2.5	Antique Copper	15.5 x 15.5	1.5	5
AC60004A25	Equal-Sided Angle	2.5	Antique Copper	19.5 x 19.5	1.5	5
AC05042A20	Equal-Sided Angle	2.0	Antique Copper	20 x 20	1.5	5
AC25590A25	Equal-Sided Angle	2.5	Antique Copper	23.5 x 23.5	1.5	5
AC05043A20	Equal-Sided Angle	2.0	Antique Copper	25 x 25	1.5	5
AC25592A25	Equal-Sided Angle	2.5	Antique Copper	29.5 x 29.5	2.4	5
MB25584A25	Equal-Sided Angle	2.5	Matt Black	11.5 x 11.5	1.5	5
MB05041A20	Equal-Sided Angle	2.0	Matt Black	15 x 15	1.0	5
MB60003A25	Equal-Sided Angle	2.5	Matt Black	15.5 x 15.5	1.5	5
MB60004A25	Equal-Sided Angle	2.5	Matt Black	19.5 x 19.5	1.5	5
MB05042A20	Equal-Sided Angle	2.0	Matt Black	20 x 20	1.5	5
MB25590A25	Equal-Sided Angle	2.5	Matt Black	23.5 x 23.5	1.5	5
MB05043A20	Equal-Sided Angle	2.0	Matt Black	25 x 25	1.5	5
MB25592A25	Equal-Sided Angle	2.5	Matt Black	29.5 x 29.5	2.4	5
PE25584A25	Equal-Sided Angle	2.5	Pewter	11.5 x 11.5	1.5	5
PE05041A20	Equal-Sided Angle	2.0	Pewter	15 x 15	1.0	5
PE60003A25	Equal-Sided Angle	2.5	Pewter	15.5 x 15.5	1.5	5
PE60004A25	Equal-Sided Angle	2.5	Pewter	19.5 x 19.5	1.5	5
PE05042A20	Equal-Sided Angle	2.0	Pewter	20 x 20	1.5	5
PE25590A25	Equal-Sided Angle	2.5	Pewter	23.5 x 23.5	1.5	5
PE05043A20	Equal-Sided Angle	2.0	Pewter	25 x 25	1.5	5
RG05041A20	Equal-Sided Angle	2.0	Rose Gold	15 x 15	1.0	5
RG60003A25	Equal-Sided Angle	2.5	Rose Gold	15.5 x 15.5	1.5	5
RG60004A25	Equal-Sided Angle	2.5	Rose Gold	19.5 x 19.5	1.5	5
RG05042A20	Equal-Sided Angle	2.0	Rose Gold	20 x 20	1.5	5
RG25590A25	Equal-Sided Angle	2.5	Rose Gold	23.5 x 23.5	1.5	5
RG05043A20	Equal-Sided Angle	2.0	Rose Gold	25 x 25	1.5	5
RK01241A10	Equal-Sided Angle	1.0	Chrome Plated	15 x 15	1.0	5
SB25584A25	Equal-Sided Angle	2.5	Ice Silver	11.5 x 11.5	1.5	5
SB05041A20	Equal-Sided Angle	2.0	Ice Silver	15 x 15	1.0	5
SB05042A20	Equal-Sided Angle	2.0	Ice Silver	20 x 20	1.5	5
SB25590A25	Equal-Sided Angle	2.5	Ice Silver	23.5 x 23.5	1.5	5
SB05043A20	Equal-Sided Angle	2.0	Ice Silver	25 x 25	1.5	5



## Profile

### Aluminium: Equal-Sided Angle

Code	Section	Length (m)	Product Details	External Dimensions (mm)	Thickness (mm)	Pack/Box Quantity
RK25562A10	Equal-Sided Angle	1.0	Natural Aluminium	7.5 x 7.5	1.0	5
RK80008A10	Equal-Sided Angle	1.0	Natural Aluminium	10 x 10	1.0	5
RK25564A10	Equal-Sided Angle	1.0	Natural Aluminium	11.5 x 11.5	1.5	5
RK25584A25	Equal-Sided Angle	2.5	Natural Aluminium	11.5 x 11.5	1.5	5
RK80015A25	Equal-Sided Angle	2.5	Natural Aluminium	15 x 15	1.5	5
RK25566A10	Equal-Sided Angle	1.0	Natural Aluminium	15.5 x 15.5	1.5	5
RK25568A10	Equal-Sided Angle	1.0	Natural Aluminium	19.5 x 19.5	1.5	5
RK80026A10	Equal-Sided Angle	1.0	Natural Aluminium	20 x 20	1.5	5
RK80025A25	Equal-Sided Angle	2.5	Natural Aluminium	20 x 20	1.5	5
RK25570A10	Equal-Sided Angle	1.0	Natural Aluminium	23.5 x 23.5	1.5	5
RK25590A25	Equal-Sided Angle	2.5	Natural Aluminium	23.5 x 23.5	1.5	5
RK25572A10	Equal-Sided Angle	1.0	Natural Aluminium	29.5 x 29.5	2.4	5
RK80037A25	Equal-Sided Angle	2.5	Natural Aluminium	30 x 30	1.5	5
RK25574A10	Equal-Sided Angle	1.0	Natural Aluminium	35.5 x 35.5	2.4	5
RK25594A25	Equal-Sided Angle	2.5	Natural Aluminium	35.5 x 35.5	2.4	5
RK05040A20	Equal-Sided Angle	2.0	Silver Anodised	10 x 10	1.0	5
RK01041A10	Equal-Sided Angle	1.0	Silver Anodised	15 x 15	1.0	5
RK05041A20	Equal-Sided Angle	2.0	Silver Anodised	15 x 15	1.0	5
RK01042A10	Equal-Sided Angle	1.0	Silver Anodised	20 x 20	1.5	5
RK05042A20	Equal-Sided Angle	2.0	Silver Anodised	20 x 20	1.5	5
RK01043A10	Equal-Sided Angle	1.0	Silver Anodised	25 x 25	1.5	5
RK05043A20	Equal-Sided Angle	2.0	Silver Anodised	25 x 25	1.5	5
RK01044A10	Equal-Sided Angle	1.0	Silver Anodised	30 x 30	2.0	5
RK05044A20	Equal-Sided Angle	2.0	Silver Anodised	30 x 30	2.0	5
RK01045A10	Equal-Sided Angle	1.0	Silver Anodised	40 x 40	2.0	5
RK05045A20	Equal-Sided Angle	2.0	Silver Anodised	40 x 40	2.0	5
RK02241A10	Equal-Sided Angle	1.0	Stainless Steel Effect	15 x 15	1.0	5



## Profile

### PVC: Equal-Sided Angle

Code	Section	Length (m)	Product Details	External Dimensions (mm)	Thickness (mm)	Pack/Box Quantity
DG16140P20	Equal-Sided Angle	2.0	Dark Granite	10 x 10	1.5	5
DG21626P25	Equal-Sided Angle	2.5	Dark Granite	15.5 x 15.5	2.0	5
DG21628P25	Equal-Sided Angle	2.5	Dark Granite	19.5 x 19.5	2.0	5
DG16142P20	Equal-Sided Angle	2.0	Dark Granite	20 x 20	2.0	5
DG21630P25	Equal-Sided Angle	1.5	Dark Granite	23.5 x 23.5	2.0	5
DG16143P20	Equal-Sided Angle	2.0	Dark Granite	25 x 25	2.0	5
DG16175P20	Equal-Sided Angle	2.0	Dark Granite	30 x 30	2.0	5
DM16140P20	Equal-Sided Angle	2.0	Dark Marble	10 x 10	1.5	5
DM21626P25	Equal-Sided Angle	2.5	Dark Marble	15.5 x 15.5	2.0	5
DM21628P25	Equal-Sided Angle	2.0	Dark Marble	19.5 x 19.5	2.0	5
DM16142P20	Equal-Sided Angle	2.0	Dark Marble	20 x 20	2.0	5
DM21630P25	Equal-Sided Angle	2.5	Dark Marble	23.5 x 23.5	2.0	5
DM16143P20	Equal-Sided Angle	2.0	Dark Marble	25 x 25	2.0	5
DM16175P20	Equal-Sided Angle	2.0	Dark Marble	30 x 30	2.0	5
LG16140P20	Equal-Sided Angle	2.0	Light Granite	10 x 10	1.5	5
LG21626P25	Equal-Sided Angle	2.5	Light Granite	15.5 x 15.5	2.0	5
LG21628P25	Equal-Sided Angle	2.5	Light Granite	19.5 x 19.5	2.0	5
LG16142P20	Equal-Sided Angle	2.5	Light Granite	20 x 20	2.0	5
LG21630P25	Equal-Sided Angle	2.5	Light Granite	23.5 x 23.5	2.0	5
LG16143P20	Equal-Sided Angle	2.0	Light Granite	25 x 25	2.0	5
LG16175P20	Equal-Sided Angle	2.0	Light Granite	30 x 30	2.0	5
LM16140P20	Equal-Sided Angle	2.0	Light Marble	10 x 10	1.5	5
LM21626P25	Equal-Sided Angle	2.5	Light Marble	15.5 x 15.5	2.0	5
LM21628P25	Equal-Sided Angle	2.5	Light Marble	19.5 x 19.5	2.0	5
LM16142P20	Equal-Sided Angle	2.5	Light Marble	20 x 20	2.0	5
LM21630P25	Equal-Sided Angle	2.5	Light Marble	23.5 x 23.5	2.0	5
LM16143P20	Equal-Sided Angle	2.0	Light Marble	25 x 25	2.0	5
LM16175P20	Equal-Sided Angle	2.0	Light Marble	30 x 30	2.0	5
RK11140P10	Equal-Sided Angle	1.0	Matt Black	10 x 10	1.0	5
RK11141P10	Equal-Sided Angle	1.0	Matt Black	15 x 15	1.0	5
RK80013P20	Equal-Sided Angle	2.0	Matt Black	15 x 15	1.0	5
RK11142P10	Equal-Sided Angle	1.0	Matt Black	20 x 20	1.5	5
RK80021P13	Equal-Sided Angle	1.3	Matt Black	20 x 20	1.0	5
RK80023P20	Equal-Sided Angle	2.0	Matt Black	20 x 20	1.0	5
RK80020P25	Equal-Sided Angle	2.5	Matt Black	20 x 20	1.0	5
RK11143P10	Equal-Sided Angle	1.0	Matt Black	25 x 25	1.8	5

### PVC: U Profile

Code	Section	Length (m)	Product Details	External Dimensions (mm)	Thickness (mm)	Pack/Box Quantity
RK21444P10	U Profile	1.0	White	11.5 x 11.5	1.5	5

## Sheets

### PVC: Equal-Sided Angle

Code	Section	Length (m)	Product Details	External Dimensions (mm)	Thickness (mm)	Pack/Box Quantity
RK12140P10	Equal-Sided Angle	1.0	Matt White	10 x 10	1.0	5
RK16140P20	Equal-Sided Angle	2.0	Matt White	10 x 10	1.0	5
RK80007P25	Equal-Sided Angle	2.5	Matt White	10 x 10	1.0	5
RK12141P10	Equal-Sided Angle	1.0	Matt White	15 x 15	1.0	5
RK16141P20	Equal-Sided Angle	2.0	Matt White	15 x 15	1.0	5
RK21626P25	Equal-Sided Angle	2.5	Matt White	15.5 x 15.5	1.5	5
RK21608P10	Equal-Sided Angle	1.0	Matt White	19.5 x 19.5	1.5	5
RK21628P25	Equal-Sided Angle	2.5	Matt White	19.5 x 19.5	1.5	5
RK12146P10	Equal-Sided Angle	1.0	Matt White	20 x 20	1.0	5
RK12142P20	Equal-Sided Angle	1.0	Matt White	20 x 20	1.5	5
RK16142P20	Equal-Sided Angle	2.0	Matt White	20 x 20	1.2	5
RK16573P25	Equal-Sided Angle	2.5	Matt White	20 x 20	1.0	5
RK21610P10	Equal-Sided Angle	1.0	Matt White	23.5 x 23.5	1.5	5
RK21630P25	Equal-Sided Angle	2.5	Matt White	23.5 x 23.5	1.5	5
RK12147P10	Equal-Sided Angle	1.0	Matt White	25 x 25	1.0	5
RK16147P20	Equal-Sided Angle	2.0	Matt White	25 x 25	1.0	5
RK12143P10	Equal-Sided Angle	1.0	Matt White	25 x 25	1.8	5
RK16143P20	Equal-Sided Angle	2.0	Matt White	25 x 25	1.8	5
RK16574P25	Equal-Sided Angle	2.5	Matt White	25 x 25	1.0	5
RK12175P10	Equal-Sided Angle	1.0	Matt White	30 x 30	1.1	5
RK16175P20	Equal-Sided Angle	2.0	Matt White	30 x 30	1.1	5
RK80036P25	Equal-Sided Angle	2.5	Matt White	30 x 30	1.0	5
RK12176P10	Equal-Sided Angle	1.0	Matt White	40 x 40	1.2	5
RK16176P20	Equal-Sided Angle	2.0	Matt White	40 x 40	1.2	5
RK80042P25	Equal-Sided Angle	2.5	Matt White	40 x 40	1.4	5

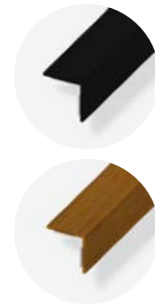
### PVC: Unequal-Sided Angle

Code	Section	Length (m)	Product Details	External Dimensions (mm)	Thickness (mm)	Pack/Box Quantity
DG21710P25	Unequal-Sided Angle	2.5	Dark Granite	43.5 x 23.5	2.0	5
DM21710P25	Unequal-Sided Angle	2.5	Dark Marble	43.5 x 23.5	2.0	5
LG21710P25	Unequal-Sided Angle	2.5	Light Granite	43.5 x 23.5	2.0	5
RK12150P10	Unequal-Sided Angle	1.0	Matt White	20 x 10	1.0	5
RK16150P20	Unequal-Sided Angle	2.0	Matt White	20 x 10	1.0	5
RK12151P10	Unequal-Sided Angle	1.0	Matt White	25 x 20	2.0	5
RK16151P20	Unequal-Sided Angle	2.0	Matt White	25 x 20	2.0	5
RK21686P10	Unequal-Sided Angle	1.0	Matt White	27.5 x 15.5	1.5	5
RK21706P25	Unequal-Sided Angle	2.5	Matt White	27.5 x 15.5	1.5	5
RK80028P25	Unequal-Sided Angle	2.5	Matt White	30 x 20	1.0	5
RK12152P10	Unequal-Sided Angle	1.0	Matt White	30 x 20	3.0	5
RK21688P10	Unequal-Sided Angle	1.0	Matt White	35.5 x 19.5	1.5	5
RK21708P25	Unequal-Sided Angle	2.5	Matt White	35.5 x 19.5	1.5	5
RK12153P10	Unequal-Sided Angle	1.0	Matt White	40 x 10	1.0	5
RK16153P20	Unequal-Sided Angle	2.0	Matt White	40 x 10	1.0	5
RK21710P25	Unequal-Sided Angle	2.5	Matt White	43.5 x 23.5	1.5	5



## Profile

### PVC: Self-Adhesive Equal-Sided Angle



Code	Section	Length (m)	Product Details	External Dimensions (mm)	Thickness (mm)	Pack/Box Quantity
RK12625P10	Equal-Sided Angle	1.0	Matt Black	20 x 20	1.0	5
RK16611P25	Equal-Sided Angle	2.5	Matt White	15 x 15	1.0	5
RK12612P10	Equal-Sided Angle	1.0	Matt White	20 x 20	1.0	5
RK16612P25	Equal-Sided Angle	2.5	Matt White	20 x 20	1.0	5
RK12615P10	Equal-Sided Angle	1.0	Stainless Steel Effect	20 x 20	1.5	5
RK12616P10	Equal-Sided Angle	1.0	Rustic Oak	20 x 20	1.0	5

## Sheets

### Steel: Metal Sheets



Code	Section	Length (m)	Product Details	Width (mm)	Thickness (mm)	Pack/Box Quantity
RK38100SSH	Metal Sheets	1.0	Raw	120	0.75	5
RK38101SSH	Metal Sheets	1.0	Raw	200	0.75	5
RK38104SSH	Metal Sheets	0.5	Raw	250	0.75	5
RK38103SSH	Metal Sheets	1.0	Raw	600	0.75	5

### Copper: Metal Sheets



Code	Section	Length (m)	Product Details	Width (mm)	Thickness (mm)	Pack/Box Quantity
RK38154CSH	Metal Sheets	0.5	Copper	250	0.5	5

### Coated: Metal Sheets



Code	Section	Length (m)	Product Details	Width (mm)	Thickness (mm)	Pack/Box Quantity
RK38504ASH	Metal Sheets	0.5	Matt White	250	1.5	5

### Stainless Steel: Metal Sheets



Code	Section	Length (m)	Product Details	Width (mm)	Thickness (mm)	Pack/Box Quantity
RK38712ASH	Metal Sheets	0.5	Stainless Steel	300	0.5	5

### Galvanised Steel: Metal Sheets



Code	Section	Length (m)	Product Details	Width (mm)	Thickness (mm)	Pack/Box Quantity
RK38050SSH	Metal Sheets	1.0	Galvanised	120	0.5	5
RK38051SSH	Metal Sheets	1.0	Galvanised	200	0.5	5
RK38054SSH	Metal Sheets	0.5	Galvanised	250	0.5	5
RK38053SSH	Metal Sheets	1.0	Galvanised	600	0.5	5
RK38708SSH	Metal Sheets (Sleeved)	1.0	Galvanised	120	0.5	5
RK38709SSH	Metal Sheets (Sleeved)	1.0	Galvanised	200	0.5	5
RK38710SSH	Metal Sheets (Sleeved)	1.0	Galvanised	600	0.5	5
RK38711SSH	Metal Sheets (Sleeved)	0.5	Galvanised	250	0.5	5

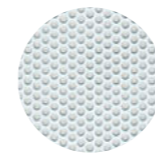
## Sheets

### Raw Aluminium: Metal Sheets (full)



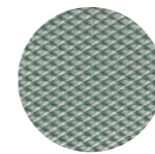
Code	Section	Length (m)	Product Details	Width (mm)	Thickness (mm)	Pack/Box Quantity
RK37150ASH	Metal Sheets (Full)	1.0	Checker Plate	120	1.5 (+ 0.5)	5
RK38702ASH	Metal Sheets (Full + Sleeve)	1.0	Checker Plate	120	1.5 (+ 0.5)	5
RK37151ASH	Metal Sheets (Full)	1.0	Checker Plate	200	1.5 (+ 0.5)	5
RK38703ASH	Metal Sheets (Full + Sleeve)	1.0	Checker Plate	200	1.5 (+ 0.5)	5
RK37154ASH	Metal Sheets (Full)	0.5	Checker Plate	250	1.5 (+ 0.5)	5
RK38706ASH	Metal Sheets (Full + Sleeve)	0.5	Checker Plate	250	1.5 (+ 0.5)	5
RK37152ASH	Metal Sheets (Full)	1.0	Checker Plate	300	1.5 (+ 0.5)	5
RK38704ASH	Metal Sheets (Full + Sleeve)	1.0	Checker Plate	300	1.5 (+ 0.5)	5
RK38707ASH	Metal Sheets (Full + Sleeve)	1.0	Checker Plate	300	1.5 (+ 0.5)	5
RK37153ASH	Metal Sheets (Full)	1.0	Checker Plate	600	1.5 (+ 0.5)	5
RK38705ASH	Metal Sheets (Full + Sleeve)	1.0	Checker Plate	600	1.5 (+ 0.5)	5
RK38700ASH	Metal Sheets (Full + Sleeve)	1.0	Natural	120	1.5	5
RK38701ASH	Metal Sheets (Full + Sleeve)	0.5	Natural	250	0.8	5
RK37000ASH	Metal Sheets (Full)	1.0	Raw	120	0.8	5
RK37550ASH	Metal Sheets (Full)	1.0	Raw	120	1.5	5
RK37001ASH	Metal Sheets (Full)	1.0	Raw	200	0.8	5
RK37004ASH	Metal Sheets (Full)	0.5	Raw	250	0.8	5
RK37554ASH	Metal Sheets (Full)	0.5	Raw	250	1.5	5
RK37002ASH	Metal Sheets (Full)	1.0	Raw	300	0.8	5
RK37003ASH	Metal Sheets (Full)	1.0	Raw	600	0.8	5

### Aluminium: Metal Sheets (Perforated)



Code	Section	Length (m)	Product Details	Width (mm)	Thickness (mm)	Pack/Box Quantity
RK37361ASH	Metal Sheets (Round Holes)	1.0	Silver Anodised	200	0.7	5
RK37411ASH	Metal Sheets (Round Holes)	1.0	Silver Anodised	200	0.7	5
RK37364ASH	Metal Sheets (1.5mm x 3mm Hole)	0.5	Silver Anodised	250	0.7	5
RK37414ASH	Metal Sheets (4mm x 6mm Hole)	0.5	Silver Anodised	250	0.7	5
RK38704ASH	Metal Sheets (Round Holes)	0.5	Silver Anodised	250	1.5	5
RK37464ASH	Metal Sheets (Round Holes)	0.5	Silver Anodised	250	1.6	5
RK38713SSH	Metal Sheets (Round Holes)	0.5	Galvanised	250	0.5	5

### Steel: Metal Sheets (Stretch Metal)



Code	Section	Length (m)	Product Details	Width (mm)	Thickness (mm)	Pack/Box Quantity
RK37600SSH	Metal Sheets (Stretch Metal)	1.0	Raw	120	1.2	5
RK37700SSH	Metal Sheets (Stretch Metal)	1.0	Raw	120	2.8	5
RK37651SSH	Metal Sheets (Stretch Metal)	1.0	Raw	200	2.2	5
RK37604SSH	Metal Sheets (Stretch Metal)	0.5	Raw	250	1.2	5
RK37654SSH	Metal Sheets (Stretch Metal)	0.5	Raw	250	2.2	5
RK37602SSH	Metal Sheets (Stretch Metal)	1.0	Raw	300	1.2	5
RK37652SSH	Metal Sheets (Stretch Metal)	1.0	Raw	300	2.2	5
RK37704SSH	Metal Sheets (Stretch Metal)	0.5	Raw	250	2.8	5
RK37703SSH	Metal Sheets (Stretch Metal)	1.0	Raw	600	2.8	5

# Rails

Rothley boasts a proud heritage spanning almost two centuries, renowned for its expertise in tube and rail manufacturing and distribution since George Burn established the company in 1826. Today, we offer one of the most comprehensive ranges in the UK market, including decorative steel rail in a variety of sizes and a choice of nine finishes, available in both retail and bulk packaging. Moreover, our range features high-quality stainless steel rail, ensuring durability and longevity in diverse applications.

## Rail

### Round Rail: 5/8" / 16mm Diameter



Code	Length (m)	Diameter (ins/mm)	Finish	Pack/Box Quantity
T025EC	2.5	5/8" / 16	Chrome Plated	10
T040EC	4.0	5/8" / 16	Chrome Plated	10
T025EW	2.5	5/8" / 16	Matt White	10

### Round Rail: 3/4" / 19mm Diameter



Code	Length (ft/m)	Diameter (ins/mm)	Finish	Pack/Box Quantity
A003AB	3' / 0.91	3/4" / 19	Brass Plated	10
A004AB	4' / 1.22	3/4" / 19	Brass Plated	10
A006AB	6' / 1.83	3/4" / 19	Brass Plated	10
A008AB	8' / 2.44	3/4" / 19	Brass Plated	10
A003AN	3' / 0.91	3/4" / 19	Brushed Nickel	10
A004AN	4' / 1.22	3/4" / 19	Brushed Nickel	10
A006AN	6' / 1.83	3/4" / 19	Brushed Nickel	10
A002AC	2' / 0.61	3/4" / 19	Chrome Plated	10
A003AC	3' / 0.91	3/4" / 19	Chrome Plated	10
A004AC	4' / 1.22	3/4" / 19	Chrome Plated	10
A005AC	5' / 1.52	3/4" / 19	Chrome Plated	10
A006AC	6' / 1.83	3/4" / 19	Chrome Plated	10
A008AC	8' / 2.44	3/4" / 19	Chrome Plated	10
T010AC	/ 1.0	3/4" / 19	Chrome Plated	10
T020AC	/ 2.0	3/4" / 19	Chrome Plated	10
T025AC	/ 2.5	3/4" / 19	Chrome Plated	10
T030AC	/ 3.0	3/4" / 19	Chrome Plated	10
T040AC	/ 4.0	3/4" / 19	Chrome Plated	10
A003ASB	3' / 0.91	3/4" / 19	Brushed Stainless Steel	10
A004ASB	4' / 1.22	3/4" / 19	Brushed Stainless Steel	10
A006ASB	6' / 1.83	3/4" / 19	Brushed Stainless Steel	10
A003AV	3' / 0.91	3/4" / 19	Matt Black	10
A004AV	4' / 1.22	3/4" / 19	Matt Black	10
A006AV	6' / 1.83	3/4" / 19	Matt Black	10
A003AW	3' / 0.91	3/4" / 19	Matt White	10
A004AW	4' / 1.22	3/4" / 19	Matt White	10
A005AW	5' / 1.52	3/4" / 19	Matt White	10
A006AW	6' / 1.83	3/4" / 19	Matt White	10
A008AW	8' / 2.44	3/4" / 19	Matt White	10
A003ASM	3' / 0.91	3/4" / 19	Polished Stainless Steel	10
A004ASM	4' / 1.22	3/4" / 19	Polished Stainless Steel	10
A006ASM	6' / 1.83	3/4" / 19	Polished Stainless Steel	10
A008ASM	8' / 2.44	3/4" / 19	Polished Stainless Steel	10

## Rail

### Round Rail: 1" / 25mm Diameter



Code	Length (ft/m)	Diameter (ins/mm)	Finish	Pack/Box Quantity
A004BB	4' / 1.22	1" / 25	Antique Brass	10
A006BB	6' / 1.83	1" / 25	Antique Brass	10
A008BB	8' / 2.44	1" / 25	Antique Brass	10
A004BAC	4' / 1.22	1" / 25	Antique Copper	10
A006BAC	6' / 1.83	1" / 25	Antique Copper	10
A008BAC	8' / 2.44	1" / 25	Antique Copper	10
A003BN	3' / 0.91	1" / 25	Brushed Nickel	10
A004BN	4' / 1.22	1" / 25	Brushed Nickel	10
A006BN	6' / 1.83	1" / 25	Brushed Nickel	10
A008BN	8' / 2.44	1" / 25	Brushed Nickel	10
A003BSB	3' / 0.91	1" / 25	Brushed Stainless Steel	10
A004BSB	4' / 1.22	1" / 25	Brushed Stainless Steel	10
A006BSB	6' / 1.83	1" / 25	Brushed Stainless Steel	10
A008BSB	8' / 2.44	1" / 25	Brushed Stainless Steel	10
A002BC	2' / 0.61	1" / 25	Chrome Plated	10
A003BC	3' / 0.91	1" / 25	Chrome Plated	10
A004BC	4' / 1.22	1" / 25	Chrome Plated	10
A005BC	5' / 1.52	1" / 25	Chrome Plated	10
A006BC	6' / 1.83	1" / 25	Chrome Plated	10
A008BC	8' / 2.44	1" / 25	Chrome Plated	10
T010BC	/ 1.0	1" / 25	Chrome Plated	10
T020BC	/ 2.0	1" / 25	Chrome Plated	10
T025BC	/ 2.5	1" / 25	Chrome Plated	10
T030BC	/ 3.0	1" / 25	Chrome Plated	10
T040BC	/ 4.0	1" / 25	Chrome Plated	10
A004BV	4' / 1.22	1" / 25	Matt Black	10
A006BV	6' / 1.83	1" / 25	Matt Black	10
A008BV	8' / 2.44	1" / 25	Matt Black	10
A003BW	3' / 0.91	1" / 25	Matt White	10
A004BW	4' / 1.22	1" / 25	Matt White	10
A005BW	5' / 1.52	1" / 25	Matt White	10
A006BW	6' / 1.83	1" / 25	Matt White	10
A008BW	8' / 2.44	1" / 25	Matt White	10
A003ASM	3' / 0.91	1" / 25	Polished Stainless Steel	10
A004ASM	4' / 1.22	1" / 25	Polished Stainless Steel	10
A005ASM	5' / 1.52	1" / 25	Polished Stainless Steel	10
A006ASM	6' / 1.83	1" / 25	Polished Stainless Steel	10
A008ASM	8' / 2.44	1" / 25	Polished Stainless Steel	10

## Rail

## Round Rail: 1¼" / 32mm Diameter



Code	Length (ft / m)	Diameter (ins/mm)	Finish	Pack/Box Quantity
A004FN	4' / 1.22	1¼" / 32	Brushed Nickel	4
A006FN	6' / 1.83	1¼" / 32	Brushed Nickel	4
A008FN	8' / 2.44	1¼" / 32	Brushed Nickel	4
A004FSB	4' / 1.22	1¼" / 32	Brushed Stainless Steel	4
A006FSB	6' / 1.84	1¼" / 32	Brushed Stainless Steel	4
A008FSB	8' / 2.44	1¼" / 32	Brushed Stainless Steel	4
T025FC	/ 2.5	1¼" / 32	Chrome Plated	5
A004FC	4' / 1.22	1¼" / 32	Chrome Plated	4
A006FC	6' / 1.83	1¼" / 32	Chrome Plated	4
A008FC	8' / 2.44	1¼" / 32	Chrome Plated	4
A004FSM	4' / 1.22	1¼" / 32	Polished Stainless Steel	4
A006FSM	6' / 1.84	1¼" / 32	Polished Stainless Steel	4
A008FSM	8' / 2.44	1¼" / 32	Polished Stainless Steel	4

## Oval Rail: 30\*15mm Diameter



Code	Length (ft / m)	Diameter (mm)	Finish	Pack/Box Quantity
A003TC	3' / 0.91	30*15	Chrome Plated	10
A004TC	4' / 1.22	30*15	Chrome Plated	10
A006TC	6' / 1.83	30*15	Chrome Plated	10
A008TC	8' / 2.44	30*15	Chrome Plated	10
T025TC	/ 2.5	30*15	Chrome Plated	10
T030TC	/ 3.0	30*15	Chrome Plated	10
T040TC	/ 4.0	30*15	Chrome Plated	10
A004TW	4' / 1.22	30*15	Matt White	10
A006TW	6' / 1.83	30*15	Matt White	10
A004TV	4' / 1.22	30*15	Matt Black	10
A006TV	6' / 1.83	30*15	Matt Black	10
A004TSM	4' / 1.22	30*15	Polished Stainless Steel	10
A006TSM	6' / 1.83	30*15	Polished Stainless Steel	10

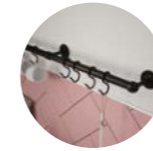
## 90° Curved Oval Steel Rail



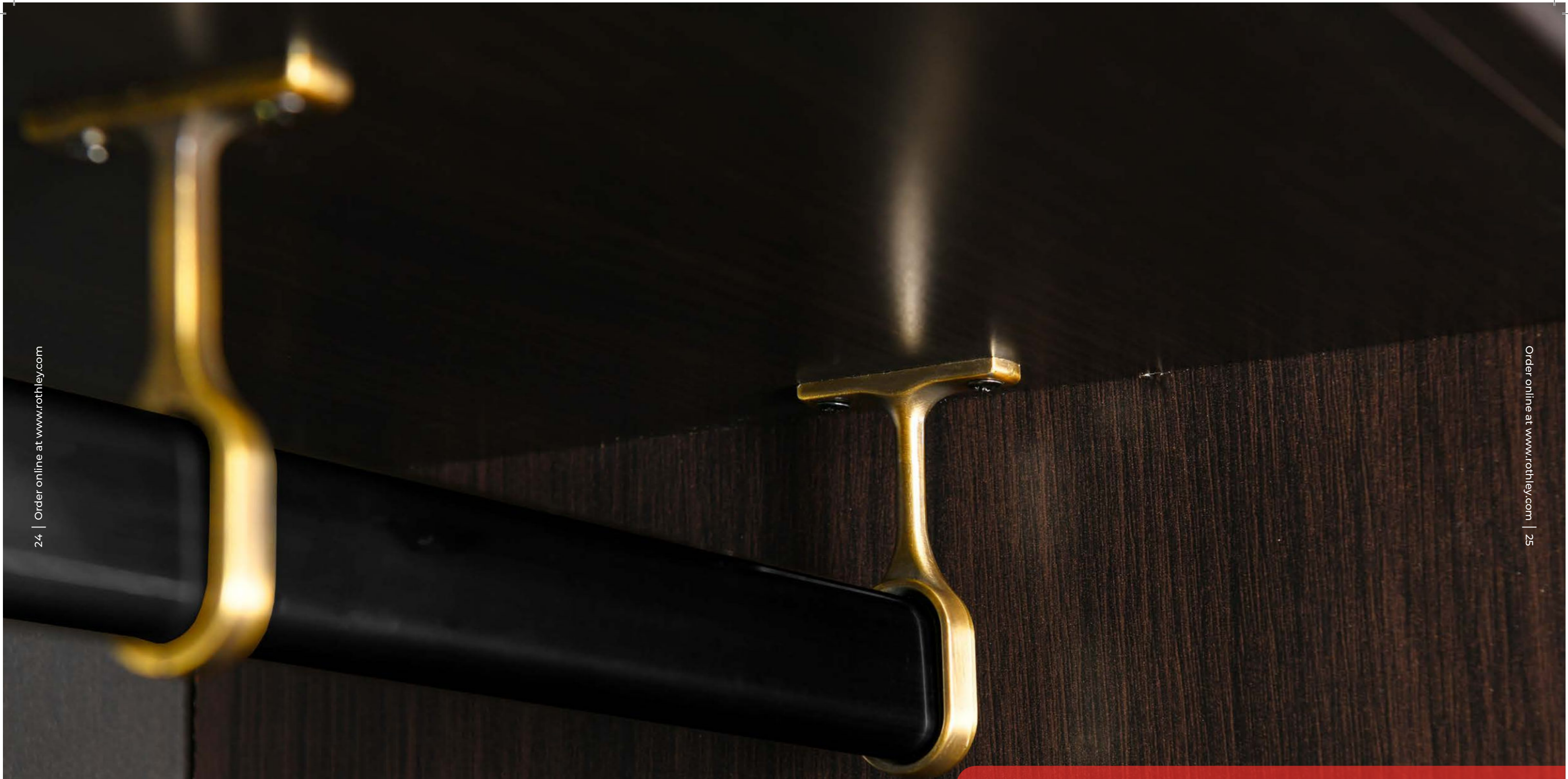
Code	Dimensions (mm)	Diameter (ins/mm)	Finish	Pack/Box Quantity
F599TC	825 x 825 (1.5m)	30*15	Chrome Plated	5

## Rail

## Utensil Rail



Code	Product Details	Product Details 2	Diameter (mm)	Length (mm)	Depth (mm)	Finish	Pack/Box Quantity
Kit Contains: 1x 600 or 1000mm x 19mm Rail, 2x 19mm End Brackets, 1x 19mm Centre Bracket, 8x Sliding S-Hooks 4mm x 35mm Colour Matching Woodscrew, 1x Fitting Instructions							
KU0600AAB	600mm kit	BAROQUE	19	600	65	Antique Brass	1
KU1000AAB	1000mm kit	BAROQUE	19	1000	65	Antique Brass	1
KU0600AAC	600mm kit	BAROQUE	19	600	65	Antique Copper	1
KU1000AAC	1000mm kit	BAROQUE	19	1000	65	Antique Copper	1
KU0600AMB	600mm kit	BAROQUE	19	600	65	Matt Black	1
KU1000AMB	1000mm kit	BAROQUE	19	1000	65	Matt Black	1
KU0600ABS	600mm kit	BAROQUE	19	600	65	Brushed Stainless Steel	1
KU1000ABS	1000mm kit	BAROQUE	19	1000	65	Brushed Stainless Steel	1



# Fittings

Our extensive range of fittings complements our tube ranges and is available in both bulk and retail packaging in a variety of sizes and 10 different finishes.

## Fittings: Retail

## Brackets: Standard End



Code	Diameter (ins/mm)	Material	Finish	Pack Quantity
Q200AB	3/4" / 19	Zinc Diecast	Brass Plated	2
Q200AN	3/4" / 19	Zinc Diecast	Brushed Nickel	2
Q200BN	1" / 25	Zinc Diecast	Brushed Nickel	2
Q200AC	3/4" / 19	Zinc Diecast	Chrome Plated	2
Q200BC	1" / 25	Zinc Diecast	Chrome Plated	2
Q200AV	3/4" / 19	Zinc Diecast	Matt Black	2
Q200AW	3/4" / 19	Zinc Diecast	Matt White	2
Q200BW	1" / 25	Zinc Diecast	Matt White	2

## Brackets: Deluxe End



Code	Diameter (ins/mm)	Material	Finish	Pack Quantity
Q110ASB	3/4" / 19	Stainless Steel	Brushed Stainless Steel	1
Q110BSB	1" / 25	Stainless Steel	Brushed Stainless Steel	1
Q104FSB	1 1/4" / 32	Stainless Steel	Brushed Stainless Steel	1
Q110ASM	3/4" / 19	Stainless Steel	Polished Stainless Steel	1
Q110BSM	1" / 25	Stainless Steel	Polished Stainless Steel	1
Q104FSM	1 1/4" / 32	Stainless Steel	Polished Stainless Steel	1

## Brackets: Standard Centre



Code	Diameter (ins/mm)	Material	Material	Pack Quantity
Q201AB	3/4" / 19	Zinc Diecast	Brass Plated	1
Q201AN	3/4" / 19	Zinc Diecast	Brushed Nickel	1
Q201BN	1" / 25	Zinc Diecast	Brushed Nickel	1
Q201AC	3/4" / 19	Zinc Diecast	Chrome Plated	1
Q201BC	1" / 25	Zinc Diecast	Chrome Plated	1
Q201AV	3/4" / 19	Zinc Diecast	Matt Black	1
Q201AW	3/4" / 19	Zinc Diecast	Matt White	1
Q201BW	1" / 25	Zinc Diecast	Matt White	1

## Brackets: Oval Centre



Code	Diameter (mm)	Material	Finish	Pack Quantity
Q661XC	30*15	Zinc Diecast	Chrome Plated	1
Q661XK	30*15	Zinc Diecast	Krome Painted	1
Q661XW	30*15	Zinc Diecast	Matt White	1

## Fittings: Retail

## Brackets: Deluxe End



Code	Diameter (ins/mm)	Material	Finish	Pack Quantity
Q100AC	3/4" / 19	Zinc Diecast	Chrome Plated	2
Q100BC	1" / 25	Zinc Diecast	Chrome Plated	2
Q100AN	3/4" / 19	Zinc Diecast	Brushed Nickel	2
Q100BN	1" / 25	Zinc Diecast	Brushed Nickel	2
Q100AB	3/4" / 19	Zinc Diecast	Brass Plated	2
Q100BAB	1" / 25	Zinc Diecast	Antique Brass	1
Q100BAC	1" / 25	Zinc Diecast	Antique Copper	1
Q100AW	3/4" / 19	Zinc Diecast	Matt White	2
Q100BW	1" / 25	Zinc Diecast	Matt White	2
Q100AV	3/4" / 19	Zinc Diecast	Matt Black	2
Q100BV	1" / 25	Zinc Diecast	Matt Black	1

## Brackets: Deluxe Centre



Code	Diameter (ins/mm)	Material	Finish	Pack Quantity
Q101AC	3/4" / 19	Zinc Diecast	Chrome Plated	1
Q101BC	1" / 25	Zinc Diecast	Chrome Plated	1
Q101AN	3/4" / 19	Zinc Diecast	Brushed Nickel	1
Q101BN	1" / 25	Zinc Diecast	Brushed Nickel	1
Q101AB	3/4" / 19	Zinc Diecast	Brass Plated	1
Q101BAB	1" / 25	Zinc Diecast	Antique Brass	1
Q101BAC	1" / 25	Zinc Diecast	Antique Copper	1
Q101AW	3/4" / 19	Zinc Diecast	Matt White	1
Q101BW	1" / 25	Zinc Diecast	Matt White	1
Q101AV	3/4" / 19	Zinc Diecast	Matt Black	1
Q101BV	1" / 25	Zinc Diecast	Matt Black	1

## Brackets: Deluxe Centre



Code	Diameter (ins/mm)	Material	Finish	Pack Quantity
Q111ASB	3/4" / 19	Stainless Steel	Brushed Stainless Steel	1
Q111BSB	1" / 25	Stainless Steel	Brushed Stainless Steel	1
Q111ASM	3/4" / 19	Stainless Steel	Polished Stainless Steel	1
Q111BSM	1" / 25	Stainless Steel	Polished Stainless Steel	1

## Fittings: Retail



### Sockets: Deluxe

Code	Product Details	Diameter (ins/mm)	Material	Finish	Pack Quantity
Q625AB		3/4" / 19	Steel	Brass Plated	2
Q625AN		3/4" / 19	Steel	Brushed Nickel	2
Q625BN		1" / 25	Steel	Brushed Nickel	2
Q625ASB		3/4" / 19	Stainless Steel	Brushed Stainless Steel	1
Q625BSB		1" / 25	Stainless Steel	Brushed Stainless Steel	1
Q625AC		3/4" / 19	Steel	Chrome Plated	2
Q625BC		1" / 25	Steel	Chrome Plated	2
Q625ASM		3/4" / 19	Stainless Steel	Polished Stainless Steel	1
Q625BSM		1" / 25	Stainless Steel	Polished Stainless Steel	1
Q625AV		3/4" / 19	Steel	Matt Black	2
Q625AW		3/4" / 19	Steel	Matt White	2
Q625BW		1" / 25	Steel	Matt White	2



### Sockets: Super Deluxe

Code	Product Details	Diameter (ins/mm)	Material	Material	Pack Quantity
Q627BB	N/A	1" / 25	Steel	Antique Brass	1
Q527AB	Retaining Grub Screw	3/4" / 19	Zinc Diecast	Brass Plated	2
Q627BAC	N/A	1" / 25	Steel	Antique Copper	1
Q527AN	Retaining Grub Screw	3/4" / 19	Zinc Diecast	Brushed Nickel	2
Q527BN	Retaining Grub Screw	1" / 25	Zinc Diecast	Brushed Nickel	2
Q527ASB	Retaining Grub Screw	3/4" / 19	Stainless Steel	Brushed Stainless Steel	1
Q127BSB	N/A	1" / 25	Stainless Steel	Brushed Stainless Steel	1
Q527FSB	Retaining Grub Screw	1 1/4" / 32	Stainless Steel	Brushed Stainless Steel	1
Q527AC	Retaining Grub Screw	3/4" / 19	Zinc Diecast	Chrome Plated	2
Q527BC	Retaining Grub Screw	1" / 25	Zinc Diecast	Chrome Plated	2
Q527AV	Retaining Grub Screw	3/4" / 19	Zinc Diecast	Matt Black	2
Q627BV	N/A	1" / 25	Steel	Matt Black	1
Q527AW	Retaining Grub Screw	3/4" / 19	Zinc Diecast	Matt White	2
Q527BW	Retaining Grub Screw	1" / 25	Zinc Diecast	Matt White	2
Q527ASM	Retaining Grub Screw	3/4" / 19	Stainless Steel	Polished Stainless Steel	1
Q127BSM	N/A	1" / 25	Stainless Steel	Polished Stainless Steel	1
Q527FSM	Retaining Grub Screw	1 1/4" / 32	Stainless Steel	Polished Stainless Steel	1

## Fittings: Retail



### Sockets: Invisifix

Code	Diameter (ins/mm)	Material	Finish	Pack Quantity
Q542AB	3/4" / 19	Steel	Brass Plated	2
Q542AC	3/4" / 19	Steel	Chrome Plated	2
Q542BC	1" / 25	Steel	Chrome Plated	2
Q542AW	3/4" / 19	Steel	Matt White	2
Q542BW	1" / 25	Steel	Matt White	2



### Sockets: Oval

Code	Diameter (mm)	Material	Finish	Pack Quantity
Q550XC	30*15	Zinc Diecast	Chrome Plated	2
Q550XK	30*15	Zinc Diecast	Krome Painted	2
Q550XW	30*15	Zinc Diecast	Matt White	2



### Sockets: Face/Top Fix Oval

Code	Diameter (mm)	Material	Finish	Pack Quantity
Q660XC	30*15	Zinc Diecast	Chrome Plated	2
Q660XK	30*15	Zinc Diecast	Krome Painted	2
Q660XW	30*15	Zinc Diecast	Matt White	2



### Accessories: Sliding Hook

Code	Diameter (ins/mm)	Material	Finish	Pack Quantity
Q509BAB	1" / 25	Steel	Antique Brass	4
Q509BAC	1" / 25	Steel	Antique Copper	4
Q509AC	3/4" / 19	Steel	Chrome Plated	4
Q509BC	1" / 25	Steel	Chrome Plated	4
Q509AW	3/4" / 19	Steel	Matt White	4
Q509AMB	3/4" / 19	Steel	Matt Black	4
Q509BMB	1" / 25	Steel	Matt Black	4

## Fittings: Bulk

### Brackets: Standard End



Code	Product Details	Diameter (ins/mm)	Material	Finish	Pack/Box Quantity
F200AC		3/4" / 19	Zinc Diecast	Chrome Plated	50
F200BC		1" / 25	Zinc Diecast	Chrome Plated	50
F200AW		3/4" / 19	Zinc Diecast	Matt White	50

### Brackets: Standard Centre



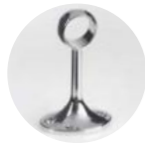
Code	Product Details	Diameter (ins/mm)	Material	Material	Pack/Box Quantity
F201AC		3/4" / 19	Zinc Diecast	Chrome Plated	50
F201BC		1" / 25	Zinc Diecast	Chrome Plated	50
F201AW		3/4" / 19	Zinc Diecast	Matt White	50

### Brackets: Deluxe End



Code	Product Details	Diameter (ins/mm)	Material	Material	Pack/Box Quantity
F100AC		3/4" / 19	Zinc Diecast	Chrome Plated	20
F100BC		1" / 25	Zinc Diecast	Chrome Plated	20
F100BW		1" / 25	Zinc Diecast	Matt White	20

### Brackets: Deluxe Centre



Code	Product Details	Diameter (ins/mm)	Material	Finish	Pack/Box Quantity
F101AC		3/4" / 19	Zinc Diecast	Chrome Plated	20
F101BC		1" / 25	Zinc Diecast	Chrome Plated	20

### Brackets: Oval Centre



Code	Product Details	Diameter (ins/mm)	Material	Finish	Pack/Box Quantity
F661XC		30*15	Zinc Diecast	Chrome Plated	50

### Brackets: Oval End



Code	Product Details	Diameter (ins/mm)	Material	Finish	Pack/Box Quantity
F665XC		30*15	Zinc Diecast	Chrome Plated	50
F665XV		30*15	Zinc Diecast	Matt Black	50

## Fittings: Bulk

### Sockets: Deluxe



Code	Product Details	Diameter (ins/mm)	Material	Finish	Pack/Box Quantity
F625AC		3/4" / 19	Steel	Chrome Plated	50
F626AC		3/4" / 19	Zinc Diecast	Chrome Plated	50
F625BC		1" / 25	Steel	Chrome Plated	50
F626BC		1" / 25	Zinc Diecast	Chrome Plated	50
F625AW		3/4" / 19	Steel	Matt White	50
F625BW		1" / 25	Steel	Matt White	50

### Sockets: Super Deluxe



Code	Product Details	Diameter (ins/mm)	Material	Finish	Pack/Box Quantity
F527AC	Deep neck with screw fitted	3/4" / 19	Zinc Diecast	Chrome Plated	50
F527BC	Deep neck with screw fitted	1" / 25	Zinc Diecast	Chrome Plated	50
F527BW	Deep neck with screw fitted	1" / 25	Zinc Diecast	Matt White	50

### Sockets: Invisifix



Code	Product Details	Diameter (ins/mm)	Material	Finish	Pack/Box Quantity
F542AC		3/4" / 19	Steel	Chrome Plated	100
F542BC		1" / 25	Steel	Chrome Plated	100
F542AW		3/4" / 19	Steel	Matt White	100

### Sockets: Oval



Code	Product Details	Diameter (ins/mm)	Material	Finish	Pack/Box Quantity
F550XC		30*15	Zinc Diecast	Chrome Plated	100
F550XV		30*15	Zinc Diecast	Matt Black	100

### Sockets: Face/Top Fix Oval



Code	Product Details	Diameter (ins/mm)	Material	Finish	Pack/Box Quantity
F660XC		30*15	Zinc Diecast	Chrome Plated	40





# Legs

Our comprehensive leg range has been designed for both the retail DIY and furniture manufacturing markets. Our portfolio includes table legs, worktop supports and cabinet legs in a variety of designs, sizes and finishes.

## Table Legs: Bulk

### Steel Worktop Support Legs



Code	Product Details	Product Details 2	Product Details 3	Diameter / Width (mm)	Length / Height (mm)	Finish	Pack/Box Quantity
L083AB	Bolt lock fixing	Adjustable foot (adds up to 30mm)	Round	60	870	Antique Brass	8
L083AC	Bolt lock fixing	Adjustable foot (adds up to 30mm)	Round	60	870	Antique Copper	8
L074XN	Bolt lock fixing	Adjustable foot (adds up to 30mm)	Round	60	710	Brushed Nickel	4
L084XN	Bolt lock fixing	Adjustable foot (adds up to 30mm)	Round	60	870	Brushed Nickel	1
L086XN	Bolt lock fixing	Adjustable foot (adds up to 30mm)	Round	60	870	Brushed Nickel	8
L094XN	Bolt lock fixing	Adjustable foot (adds up to 30mm)	Round	60	1100	Brushed Nickel	1
L074XC	Bolt lock fixing	Adjustable foot (adds up to 30mm)	Round	60	710	Chrome Plated	4
L084XC	Bolt lock fixing	Adjustable foot (adds up to 30mm)	Round	60	870	Chrome Plated	1
L086XC	Bolt lock fixing	Adjustable foot (adds up to 30mm)	Round	60	870	Chrome Plated	8
L094XC	Bolt lock fixing	Adjustable foot (adds up to 30mm)	Round	60	1100	Chrome Plated	1
L083MG	Bolt lock fixing	Adjustable foot (adds up to 30mm)	Round	60	870	Gunmetal	8
L074XV	Bolt lock fixing	Adjustable foot (adds up to 30mm)	Round	60	710	Matt Black	4
L083MB	Bolt lock fixing	Adjustable foot (adds up to 30mm)	Round	60	870	Matt Black	8
L084XV	Bolt lock fixing	Adjustable foot (adds up to 30mm)	Round	60	870	Matt Black	1
L074XW	Bolt lock fixing	Adjustable foot (adds up to 30mm)	Round	60	710	Matt White	4
L083MW	Bolt lock fixing	Adjustable foot (adds up to 30mm)	Round	60	870	Matt White	8
L084XW	Bolt lock fixing	Adjustable foot (adds up to 30mm)	Round	60	870	Matt White	1
L083PT	Bolt lock fixing	Adjustable foot (adds up to 30mm)	Round	60	870	Pewter	8
L086XV	Slim bolt fitting	Adjustable foot (adds up to 30mm)	Round	60	870	Gloss Black	8
L086XW	Slim bolt fitting	Adjustable foot (adds up to 30mm)	Round	60	870	Gloss White	8



### Stainless Steel Worktop Support Legs



Code	Product Details	Product Details 2	Product Details 3	Diameter / Width (mm)	Length / Height (mm)	Finish	Pack/Box Quantity
L083PC	Bolt lock fixing	Adjustable foot (adds up to 30mm)	Round	60	870	Polished Copper	8
L083SB	Bolt lock fixing	Adjustable foot (adds up to 30mm)	Round	60	870	Brushed Stainless Steel	8
L083GM	Bolt lock fixing	Adjustable foot (adds up to 30mm)	Round	60	870	Gunmetal	8
L083SM	Bolt lock fixing	Adjustable foot (adds up to 30mm)	Round	60	870	Polished Stainless Steel	8

## Table Legs: Bulk

### Table Legs (60mm)



Code	Product Details	Product Details 2	Product Details 3	Diameter / Width (mm)	Length / Height (mm)	Finish	Pack/Box Quantity
L040XC	Screw plate fixing	Adjustable foot (adds up to 30mm)	Round	60	400	Chrome Plated	16
L070XC	Screw plate fixing	Adjustable foot (adds up to 30mm)	Round	60	710	Chrome Plated	8
L040XV	Screw plate fixing	Adjustable foot (adds up to 30mm)	Round	60	400	Matt Black	16
L070XV	Screw plate fixing	Adjustable foot (adds up to 30mm)	Round	60	710	Matt Black	8
L040XW	Screw plate fixing	Adjustable foot (adds up to 30mm)	Round	60	400	Glass White	16
L070XW	Screw plate fixing	Adjustable foot (adds up to 30mm)	Round	60	710	Matt White	8

### Steel Table Legs (Square)



Code	Product Details	Product Details 2	Product Details 3	Diameter / Width (mm)	Length / Height (mm)	Finish	Pack/Box Quantity
L403XC		Square		50	370	Chrome Plated	16
L701XC		Square		50	710	Chrome Plated	8

### Steel Table Legs (Tapered)



Code	Product Details	Product Details 2	Product Details 3	Diameter / Width (mm)	Length / Height (mm)	Finish	Pack/Box Quantity
L760YC	Screw plate fixing			60	710	Chrome Plated	8
L402YQ	Screw plate fixing			60	370	Satin Silver	16
L760YQ	Screw plate fixing			60	710	Satin Silver	8

### Table Legs (3 Bar)



Code	Product Details	Product Details 2	Product Details 3	Diameter / Width (mm)	Length / Height (mm)	Finish	Pack/Box Quantity
L400XC	Fixed Plate			N/A	370	Chrome Plated	16
L700XC	Fixed Plate			N/A	710	Chrome Plated	8

## Table Legs: Retail

## Steel Worktop Support Legs



Code	Product Details	Product Details 2	Product Details 3	Diameter / Width (mm)	Length / Height (mm)	Finish	Pack/Box Quantity
L186XN	Bolt lock fixing	Adjustable foot (adds up to 30mm)	Round	60	870	Brushed Nickel	1
L176XC	Bolt lock fixing	Adjustable foot (adds up to 30mm)	Round	60	710	Chrome Plated	1
L186XC	Bolt lock fixing	Adjustable foot (adds up to 30mm)	Round	60	870	Chrome Plated	1
L186XW	Bolt lock fixing	Adjustable foot (adds up to 30mm)	Round	60	870	Matt White	1t

## Steel Worktop Support Legs



Code	Product Details	Product Details 2	Product Details 3	Diameter / Width (mm)	Length / Height (mm)	Finish	Pack/Box Quantity
L183AB	Bolt lock fixing	Adjustable foot (adds up to 30mm)	Round	60	870	Antique Brass	1
L183AC	Bolt lock fixing	Adjustable foot (adds up to 30mm)	Round	60	870	Antique Copper	1
L183MB	Bolt lock fixing	Adjustable foot (adds up to 30mm)	Round	60	870	Matt Black	1
L183MW	Bolt lock fixing	Adjustable foot (adds up to 30mm)	Round	60	870	Matt White	1
L183PT	Bolt lock fixing	Adjustable foot (adds up to 30mm)	Round	60	870	Pewter	1

## Stainless Steel Worktop Support Legs



Code	Product Details	Product Details 2	Product Details 3	Diameter / Width (mm)	Length / Height (mm)	Finish	Pack/Box Quantity
L183SB	Bolt lock fixing	Adjustable foot (adds up to 30mm)	Round	60	870	Brushed Stainless Steel	1
L183GM	Bolt lock fixing	Adjustable foot (adds up to 30mm)	Round	60	870	Gunmetal	1
L183PC	Bolt lock fixing	Adjustable foot (adds up to 30mm)	Round	60	870	Polished Copper	1
L183SM	Bolt lock fixing	Adjustable foot (adds up to 30mm)	Round	60	870	Polished Stainless Steel	1

## Steel Worktop Supports (Square)



Code	Product Details	Product Details 2	Product Details 3	Diameter / Width (mm)	Length / Height (mm)	Finish	Pack/Box Quantity
L801XN	Welded fixed plate	Adjustable foot (adds up to 10mm)	Square	60	870	Brushed Nickel	1
L801XC	Welded fixed plate	Adjustable foot (adds up to 10mm)	Square	60	870	Chrome Plated	1

## Table Legs: Retail

## Furniture Legs (32mm)



Code	Product Details	Product Details 2	Product Details 3	Diameter / Width (mm)	Length / Height (mm)	Finish	Pack/Box Quantity
L110XP	Fixed Plate	Adjustable foot (adds up to 6mm)	Steel	32	100	Silver Grey	20
L115XP	Fixed Plate	Adjustable foot (adds up to 6mm)	Steel	32	150	Silver Grey	20
L120XP	Fixed Plate	Adjustable foot (adds up to 6mm)	Steel	32	200	Silver Grey	20
L130XP	Fixed Plate	Adjustable foot (adds up to 6mm)	Steel	32	300	Silver Grey	20
L150XP	Fixed Plate	Adjustable foot (adds up to 6mm)	Steel	32	500	Silver Grey	20
L170XP	Fixed Plate	Adjustable foot (adds up to 6mm)	Steel	32	700	Silver Grey	10
L180XP	Fixed Plate	Adjustable foot (adds up to 6mm)	Steel	32	800	Silver Grey	10
L110XV	Fixed Plate	Adjustable foot (adds up to 6mm)	Steel	32	100	Matt Black	20
L115XV	Fixed Plate	Adjustable foot (adds up to 6mm)	Steel	32	150	Matt Black	20
L120XV	Fixed Plate	Adjustable foot (adds up to 6mm)	Steel	32	200	Matt Black	20
L130XV	Fixed Plate	Adjustable foot (adds up to 6mm)	Steel	32	300	Matt Black	20
L150XV	Fixed Plate	Adjustable foot (adds up to 6mm)	Steel	32	500	Matt Black	20
L170XV	Fixed Plate	Adjustable foot (adds up to 6mm)	Steel	32	700	Matt Black	10
L180XV	Fixed Plate	Adjustable foot (adds up to 6mm)	Steel	32	800	Matt Black	10
L110XW	Fixed Plate	Adjustable foot (adds up to 6mm)	Steel	32	100	Matt White	20
L115XW	Fixed Plate	Adjustable foot (adds up to 6mm)	Steel	32	150	Matt White	20
L120XW	Fixed Plate	Adjustable foot (adds up to 6mm)	Steel	32	200	Matt White	20
L130XW	Fixed Plate	Adjustable foot (adds up to 6mm)	Steel	32	300	Matt White	20
L150XW	Fixed Plate	Adjustable foot (adds up to 6mm)	Steel	32	500	Matt White	20
L170XW	Fixed Plate	Adjustable foot (adds up to 6mm)	Steel	32	700	Matt White	10
L180XW	Fixed Plate	Adjustable foot (adds up to 6mm)	Steel	32	800	Matt White	10

## Table Legs: Retail

### 3 Pin Hairpin Legs



Code	Product Details	Product Details 2	Product Details 3	Diameter / Width (mm)	Length / Height (mm)	Finish	Pack/Box Quantity
LHP3710AB					710	Antique Brass	8
LHP3870AB					870	Antique Brass	8
LHP3710AC					710	Antique Copper	8
LHP3870AC					870	Antique Copper	8
LHP3710PC					710	Polished Copper	8
LHP3870PC					870	Polished Copper	8
LHP3710GM					710	Gunmetal	8
LHP3870GM					870	Gunmetal	8
LHP3710MB					710	Matt Black	8
LHP3870MB					870	Matt Black	8
LHP3710MW					710	Matt White	8
LHP3870MW					870	Matt White	8

### 2 Pin Hairpin Feet



Code	Product Details	Product Details 2	Product Details 3	Diameter / Width (mm)	Length / Height (mm)	Finish	Pack/Box Quantity
LHP2100AB					100	Antique Brass	16
LHP2350AB					350	Antique Brass	16
LHP2100PC					100	Polished Copper	16
LHP2350PC					350	Polished Copper	16
LHP2100GM					100	Gunmetal	16
LHP2350GM					350	Gunmetal	16
LHP2100MB					100	Matt Black	16
LHP2350MB					350	Matt Black	16
LHP2100MW					100	Matt White	16
LHP2350MW					350	Matt White	16

## Furniture Feet: Retail

### Designer Furniture Feet



Code	Product Details	Product Details 2	Product Details 3	Diameter / Width (mm)	Length / Height (mm)	Finish	Pack/Box Quantity
L500XN	Straight	Zinc	Adjustable by 10mm		103	Brushed Nickel	12
L500XC	Straight	Zinc	Adjustable by 10mm		103	Chrome Plated	12

### Steel



Code	Product Details	Product Details 2	Product Details 3	Diameter / Width (mm)	Length / Height (mm)	Finish	Pack/Box Quantity
L506XP	Square	Steel		N/A	110	Aluminium Effect	12
L507XP	Round	Steel	Adjustable by 5mm	N/A	120	Aluminium Effect	12
L501XN	Splayed	Steel	Adjustable by 5mm	N/A	128	Brushed Nickel	12
L503XD	Ball Foot	Steel		N/A	128	Satin Chrome	8

### Plastic Furniture Feet



Code	Product Details	Product Details 2	Product Details 3	Diameter / Width (mm)	Length / Height (mm)	Finish	Pack/Box Quantity
L011XP	Square	Ideal for a variety of furniture	Plastic	40	60	Matt Aluminium	8
L012XP	Square	Ideal for a variety of furniture	Plastic	40	80	Matt Aluminium	8
L013XP	Square	Ideal for a variety of furniture	Plastic	40	100	Matt Aluminium	8
L012XV	Square	Ideal for a variety of furniture	Plastic	40	60	Matt Black	8
L013XV	Square	Ideal for a variety of furniture	Plastic	40	80	Matt Black	8
L012XW	Square	Ideal for a variety of furniture	Plastic	40	80	Matt White	8
L013XW	Square	Ideal for a variety of furniture	Plastic	40	100	Matt White	8

### Wooden Furniture Feet



Code	Product Details	Product Details 2	Product Details 3	Diameter / Width (mm)	Length / Height (mm)	Finish	Pack/Box Quantity
NES044	Square	Ideal for beds, sofas, ect	Raw Beech	50	250	Beech	8
NES046	Square	Ideal for beds, sofas, ect	Raw Beech	64	80	Beech	8
NES050	Furniture Foot	Ideal for beds, sofas, ect	Raw Beech	90	50	Beech	8

# Handrail Systems

Our range of handrail system components has been designed to add an elegant and attractive finishing touch to homes and indoor staircases. Available in various finishes, our handrail kits offer a modern addition to a home's interior.

## Handrail Systems

## Handrail Tube



Code	Product Details	Length (m)	Diameter (mm)	Finish	Pack Quantity
A180JN	Stainless Steel	1.8	40	Brushed Stainless Steel	2
A240JN	Stainless Steel	2.4	40	Brushed Stainless Steel	2
A360JN	Stainless Steel	3.6	40	Brushed Stainless Steel	2
A120JMB	Steel	1.2	40	Matt Black	2
A180JC	Stainless Steel	1.8	40	Polished Stainless Steel	2
A240JC	Stainless Steel	2.4	40	Polished Stainless Steel	2
A360JC	Stainless Steel	3.6	40	Polished Stainless Steel	2

## Wall Brackets



Code	Diameter (ins)	Diameter (mm)	Finish	Pack Quantity	Box Quantity
Product Detail: 1. Diecast Fitting 2. Includes screws and fixings 3. Covered fixings (no visible screws when fitted) 4. Plastic insert prevents scratching of rail when fitting					
R970JN	1.6	40	Brushed Effect	1	6
R970JMB	1.6	40	Matt Black	1	6
R970JC	1.6	40	Polished Effect	1	6

## Connecting Wall Brackets



Code	Diameter (ins)	Diameter (mm)	Finish	Pack Quantity	Box Quantity
Product Detail: 1. Diecast Fitting 2. Includes screws and fixings 3. Covered fixings (no visible screws when fitted) 4. Use for connecting two pieces of Rothley 40mm diameter handrail tube					
R975JN	1.6	40	Brushed	1	6
R975JC	1.6	40	Polished	1	6
R975JMB	1.6	40	Matt Black	1	6

## StraightPost Brackets (Note: this item is not for use as a wall bracket)



Code	Diameter (ins)	Diameter (mm)	Finish	Pack Quantity	Box Quantity
Product Detail: 1. Diecast Fitting 1. Includes screws and fixings 2. For fitting handrail to a wall use a R970JN Wall Bracket 3. Use for installing Rothley handrail on horizontal flat surfaces 4. Covered fixings mean no visible screws when fitted					
R977JN	1.6	40	Brushed Effect	1	6
R977JC	1.6	40	Polished Effect	1	6

## Handrail Systems

## Handrail Socket



Code	Diameter (ins)	Diameter (mm)	Finish	Pack Quantity	Box Quantity
Product Detail: 1. Diecast Fitting and cover 2. Screws and wall plugs included 3. Covered fixings mean no visible screws when fitted 4. Retaining grub-screw holds tube in position					
R978JN	1.6	40	Brushed Effect	1	6
R978JC	1.6	40	Polished Effect	1	6

## Handrail End Caps



Code	Product Details	Diameter (ins)	Diameter (mm)	Finish	Pack Quantity	Box Quantity
Product Detail: 1. Diecast Fitting 2. Internal fit to rail						
R973JN	Domed	1.6	40	Brushed Effect	2	10
R974JN	Shallow	1.6	40	Brushed Effect	2	10
R974JMB	Shallow	1.6	40	Matt Black	2	10
R973JC	Domed	1.6	40	Polished Effect	2	10
R974JC	Shallow	1.6	40	Polished Effect	2	10

## Handrail Elbow



Code	Finish	Diameter (ins)	Diameter (mm)	Finish	Pack Quantity	Box Quantity
Product Detail: 1. Diecast Fitting 2. Internal fit to rail						
R971JN	135 Degree	1.6	40	Brushed Effect	1	6
R972JN	90 Degree	1.6	40	Brushed Effect	1	6
R979JMB	Adjustable	1.6	40	Matt Black	1	6
R971JC	135 Degree	1.6	40	Polished Effect	1	6
R972JC	90 Degree	1.6	40	Polished Effect	1	6

## Handrail System

### 3.6m Handrail Kits (Standard)

#### Indoor / Outdoor (Stainless Steel)

Code	Diameter (ins)	Diameter (mm)	Finish	Pack Quantity	Box Type
Product Detail: 3 x 1.2m rail, 2 wall brackets, 2 connecting wall brackets, 2 end caps					
KBS36T	1.6	40	Brushed Stainless Steel	1	Plain
KBS36R	1.6	40	Brushed Stainless Steel	1	Retail

Packaging May Vary\*

#### Indoor Only

Code	Diameter (ins)	Diameter (mm)	Finish	Pack Quantity	Box Type
Product Detail: 3 x 1.2m rail, 2 wall brackets, 2 connecting wall brackets, 2 end caps					
KAB36T	1.6	40	Antique Brass	1	Plain
KAB36R	1.6	40	Antique Brass	1	Retail
KAC36T	1.6	40	Antique Copper	1	Plain
KAC36R	1.6	40	Antique Copper	1	Retail
KDP36T	1.6	40	Brushed Effect	1	Plain
KDP36R	1.6	40	Brushed Effect	1	Retail
KMB36T	1.6	40	Matt Black	1	Plain
KMB36R	1.6	40	Matt Black	1	Retail
KMW36T	1.6	40	Matt White	1	Plain
KMW36R	1.6	40	Matt White	1	Retail
KMP36T	1.6	40	Polished Effect	1	Plain
KMP36R	1.6	40	Polished Effect	1	Retail

Packaging May Vary\*

#### Wood (Indoor)

Code	Diameter (ins)	Diameter (mm)	Finish	Pack Quantity	Box Type
Product Detail: 3 x 1.2m rail, 2 wall brackets, 2 connecting wall brackets, 2 end caps					
KODP36T	1.6	40	Red Oak/Brushed Nickel Brackets	1	Plain
KODP36R	1.6	40	Red Oak/Brushed Nickel Brackets	1	Retail
KPDP36T	1.6	40	Pine/Brushed Nickel Brackets	1	Plain
KPDP36R	1.6	40	Pine/Brushed Nickel Brackets	1	Retail
KEAB36T	1.6	40	Ebony/Antique Brass Brackets	1	Plain
KEAB36R	1.6	40	Ebony/Antique Brass Brackets	1	Retail
KDMB36T	1.6	40	Driftwood/Matt Black Brackets	1	Plain
KDMB36R	1.6	40	Driftwood/Matt Black Brackets	1	Retail

Packaging May Vary\*



# Sliding Door Systems

Our sliding and folding door systems are ideal for both DIY and trade installers. Depending on the system, doors up to 120kg in weight can be accommodated, making the range suitable for both domestic/residential use and light commercial applications.

# Sliding and folding door systems

Space saving - Practical - Stylish - Easy to install

Our sliding and folding door systems range are ideal for both DIY and trade installers. Our systems can accommodate doors with weights between 14-120kg, making the range suitable for residential use, light commercial applications and the specification market.

A wide range of mounting options depending on application and preference. All systems are easy to install and designed to fit any requirements from installing a room divider for the guest room to the perfect wardrobe slider for a master bedroom.

Tracks for all systems can be joined together to suit your wall opening requirements

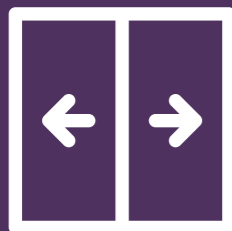
• Doors not included with any systems

• Installation videos available on [www.rothley.com](http://www.rothley.com)

## Contents

- 48 Ares 2
- 49 Ares 3
- 50 Mars
- 51 Saturn
- 52 Jupiter
- 53 Herkules Glass
- 54 Herkules 60
- 55 Herkules 120
- 56 Herkules Plus
- 57 Apollo
- 58 Horus
- 59 Design Line: Luna & Rea
- 60 Accessories

## Choose Your System in 3 Easy Steps:



Type of Door  
a. Folding/Sliding  
b. Wardrobe/Room Divider



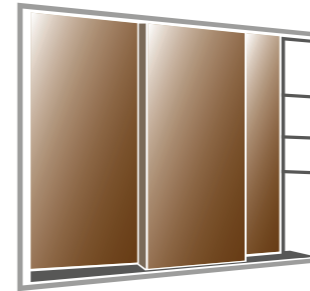
Door Weight/Thickness



Door Material – Wood/Glass

## Choosing your system

Sliding Doors  
Wardrobe



Horus  
Ares 2  
Ares 3  
Mars



Track length: Opening width  
Fixing: Soffit

Sliding Doors  
Room divider



Saturn  
Jupiter  
Herkules 60



Track length: Twice the door opening width  
Fixing: Soffit or Wall Mount

Folding Doors  
Room divider



Apollo  
Herkules Plus



Track length: Opening width  
Fixing: Soffit

Door type	Sliding Doors				Folding doors	Number of doors hung per set	Maximum individual door weight	Minimum door thickness	Maximum door thickness	Options				
	Room divider	Wardrobe	Wood	Glass						Pelmets	Wall brackets	Spacers	Additional door kit	Silent soft close
Door material	Wood / Laminate	Glass	Wood / Laminate	Wood										
Ares 2			✓			2 or 3	70kg	16mm					✓	
Ares 3			✓			2 or 3	70kg	18mm					✓	
Mars			✓			2 or 3	50kg	18mm						✓
Saturn	✓					1	45kg	16mm					✓	
Jupiter	✓					1	30kg	16mm					✓	
Herkules Glass		✓				1	100kg	8mm					✓	
Herkules 60	✓					1	60kg	16mm			✓	✓	✓	✓
Herkules 120	✓					1	120kg	22mm			✓	✓	✓	✓
Herkules Plus					✓	2	40kg	16mm					✓	
Apollo					✓	2 or 4	14kg	16mm						
Luna	✓					1	100kg	35mm						✓
Rea	✓					1	100kg	35mm						✓
Horus			✓			2 or 3	45kg	16mm					✓	✓



# Ares 2

## Sliding door system for wardrobes

Max. door weight 70kg. Min door thickness 16mm

### Features

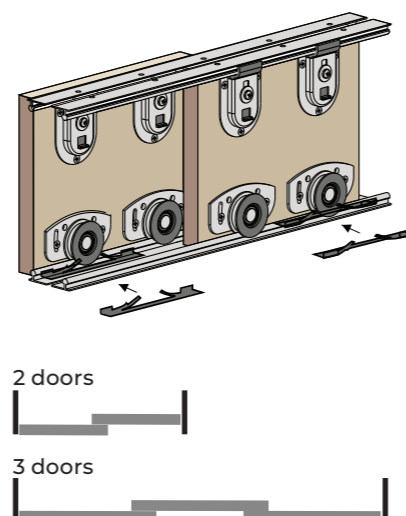
Ares 2 is a versatile twin track sliding door system for wardrobes. It can be used with 2 or 3 wooden, MDF or laminate doors with a weight up to 70kg.

The Ares 2 system is ideal for heavier duty doors in residential and light commercial applications.

- Double aluminium track top and bottom means positioning can be adjusted for different door thicknesses
- Strong bottom fixed rollers are mounted on ball bearings for extra smooth and quiet running
- Adjustable top mounted guides for easy regulation
- Optional Door Gear Kit (without track) SD/AR01 available for additional door
- Tested to over 100,000 cycles

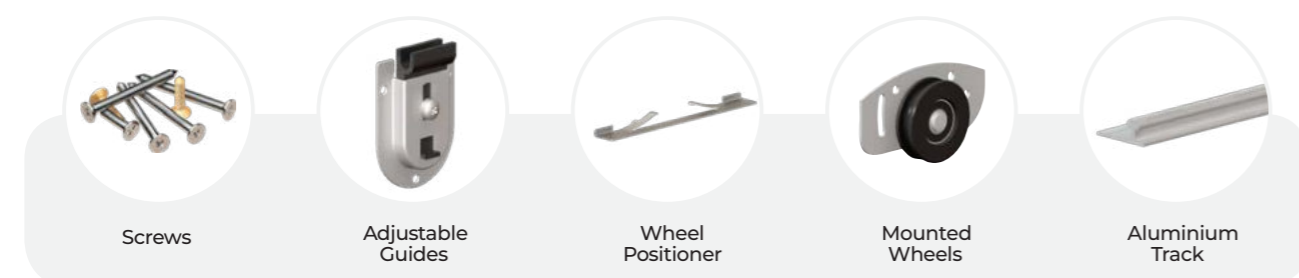


Scan to watch installation video



Code	System Type	Door Type	Door Material	Number of Doors Hung	Max Individual Door Weight (kg)	Door Thickness (mm)	Track Length (mm)
SD/AR212	Sliding	Wardrobe	Wood/Laminate	2	70	min 16mm	1200
SD/AR215	Sliding	Wardrobe	Wood/Laminate	2	70	min 16mm	1500
SD/AR218	Sliding	Wardrobe	Wood/Laminate	2	70	min 16mm	1800
SD/AR220	Sliding	Wardrobe	Wood/Laminate	3	70	min 16mm	2000
SD/AR224	Sliding	Wardrobe	Wood/Laminate	3	70	min 16mm	2400
SD/AR230	Sliding	Wardrobe	Wood/Laminate	3	70	min 16mm	3000
SD/AR01	Sliding	Wardrobe	Wood/Laminate	1	70	min 16mm	Extra door kit, no track

### Kit Contains



# Ares 3

## Sliding door system for wardrobes

Max. door weight 70kg. Door thickness 18mm

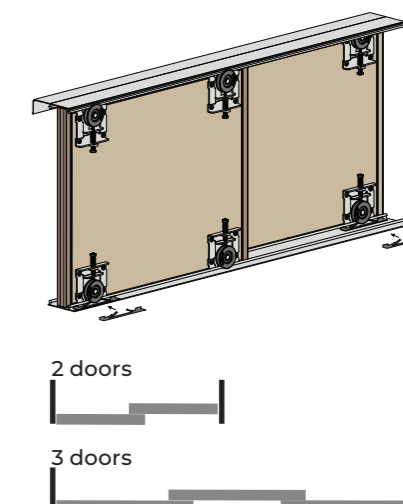
### Features

Ares 3 is our premium sliding door system for wardrobes. It is ideal for use with 2 or 3 heavier duty wooden or laminate doors with a weight up to 70kg in residential or light commercial applications.

- Top and bottom aluminium track matches finish of door profiles
- Top track features an integrated pelmet
- Decorative aluminium profiles to cover all door edges provide a highly attractive finish
- Top and bottom mounted rollers on ball bearings for extra smooth and quiet running
- Wheels mounted on sprung chasis making for easy installation and removal of doors
- Available in a silver finish
- Tested to over 100,000 cycles

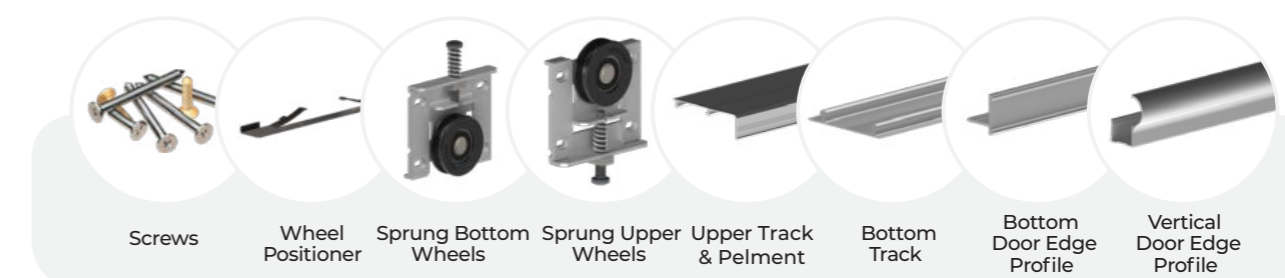


Scan to watch installation video



Code	System Type/Finish	Door Type	Door Material	Number of Doors Hung	Max Individual Door Weight (kg)	Door Thickness (mm)	Track Length (mm)
SD/AR318S	Sliding/Silver	Wardrobe	Wood/Laminate	2	70	18 mm	1800
SD/AR327S	Sliding/Silver	Wardrobe	Wood/Laminate	3	70	18 mm	2700
SD/AR03	Sliding	Wardrobe	Wood/Laminate	1	70	18 mm	Extra door kit, no track

### Kit Contains



# Mars

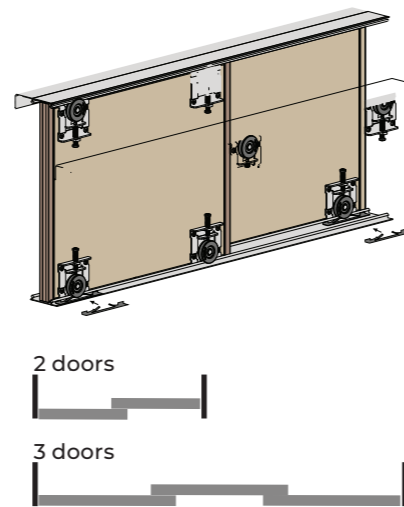
## Sliding door system for wardrobes

Max. door weight 50kg. Door thickness 18mm

### Features

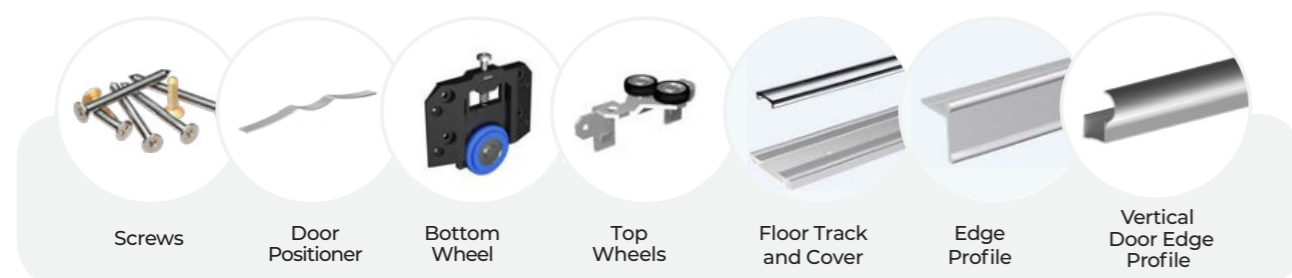
Mars is our premium sliding door system for wardrobes. It is ideal for use with 2 or 3 heavier duty wooden or laminate doors with a weight up to 50kg in residential or light commercial applications.

- Top and bottom aluminium track matches finish of door profiles
- Top track features an integrated pelmet
- Decorative aluminium profiles to cover all door edges provide a highly attractive finish
- Top and bottom mounted rollers on ball bearings for extra smooth and quiet running
- Wheels mounted on adjustable chasis making for easy installation and removal of doors
- Available in a Matt Black, Matt Silver & Light Matt Brown
- Tested to over 100,000 cycles



Code	System Type/ Finish	Door Type	Door Material	Number of Doors Hung	Max Individual Door Weight (kg)	Door Thickness (mm)	Track Length (mm)
SD/MS20BK	Matt Black	Wardrobe	Wood/Laminate	2	50	18 mm	2000
SD/MS30BK	Matt Black	Wardrobe	Wood/Laminate	3	50	18 mm	3000
SD/MS20LB	Light Matt Brown	Wardrobe	Wood/Laminate	2	50	18 mm	2000
SD/MS30LB	Light Matt Brown	Wardrobe	Wood/Laminate	3	50	18 mm	3000
SD/MS20S	Matt Silver	Wardrobe	Wood/Laminate	2	50	18 mm	2000
SD/MS30S	Matt Silver	Wardrobe	Wood/Laminate	3	50	18 mm	3000
SD/MSSILENT	Silent Stop	Wardrobe	Wood/Laminate				

### Kit Contains



# Saturn

## Sliding door system for room dividers

Max. door weight 45kg. Min door thickness 16mm

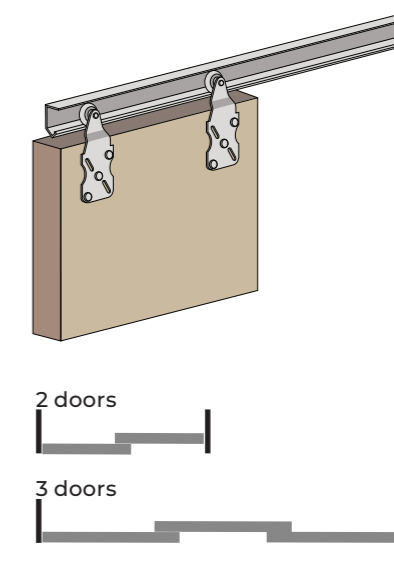
### Features

Saturn is a top hung sliding door system for use with single room dividing doors. It is ideal for MDF doors with a weight up to 45kg in residential and light commercial applications. The system runs on aluminium hangers with wheels mounted on ball bearings for a smooth and quiet action.

- Strong aluminium top track with pre-drilled holes for easy installation
- Track can be cut to required length or joined to create longer systems
- Strong hangers with wheels on ball bearings for longer life and smooth and quiet running
- Clear polycarbonate bottom guide - almost invisible when installed
- Extra Door Kit (without track) available for additional door

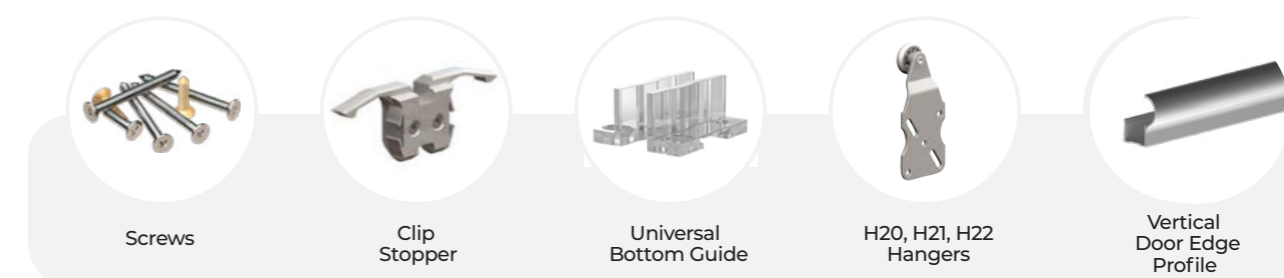


Scan to  
watch  
installation  
video



Code	System Type	Door Type	Door Material	Number of Doors Hung	Max Individual Door Weight (kg)	Door Thickness (mm)	Track Length (mm)
SD/ST12	Sliding	Room Divider	Wood/Laminate	1	45	min 16mm	1200
SD/ST15	Sliding	Room Divider	Wood/Laminate	1	45	min 16mm	1500
SD/ST18	Sliding	Room Divider	Wood/Laminate	1	45	min 16mm	1800
SD/ST20	Sliding	Room Divider	Wood/Laminate	1	45	min 16mm	2000
SD/ST24	Sliding	Room Divider	Wood/Laminate	1	45	min 16mm	2400
SD/ST01	Sliding	Room Divider	Wood/Laminate	1	45	min 16mm	Extra door kit, no track

### Kit Contains



# Jupiter

## Sliding door system for room dividers

Max. door weight 30kg. Min door thickness 16mm

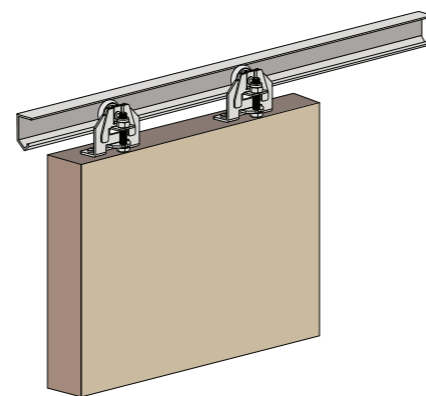
### Features

Jupiter is a top hung sliding door system for use with single room dividing doors.

It is ideal for wooden or light panel doors with a weight up to 30kg.

The Jupiter system runs on adjustable edge hangers that are perfect for light applications.

- Strong aluminium top track with pre-drilled holes for easy installation
- Track can be cut to required length or joined to create longer systems
- Strong hangers with wheels on ball bearings for longer life and smooth and quiet running
- Clear polycarbonate bottom guide - almost invisible when installed
- Extra Door Kit (without track) available for additional door



Code	System Type	Door Type	Door Material	Number of Doors Hung	Max Individual Door Weight (kg)	Door Thickness (mm)	Track Length (mm)
SD/JU15	Sliding	Room Divider	Wood/Laminate	1	30	min 16mm	1500
SD/JU18	Sliding	Room Divider	Wood/Laminate	1	30	min 16mm	1800
SD/JU24	Sliding	Room Divider	Wood/Laminate	1	30	min 16mm	2400
SD/JU01	Sliding	Room Divider	Wood/Laminate	1	30	min 16mm	Extra door kit, no track

### Kit Contains



# Herkules Glass

## Sliding door system for room dividers

Max. door weight 100kg. Door thickness 8-12mm

### Features

Herkules Glass is a sliding door system for use with single room dividing doors.

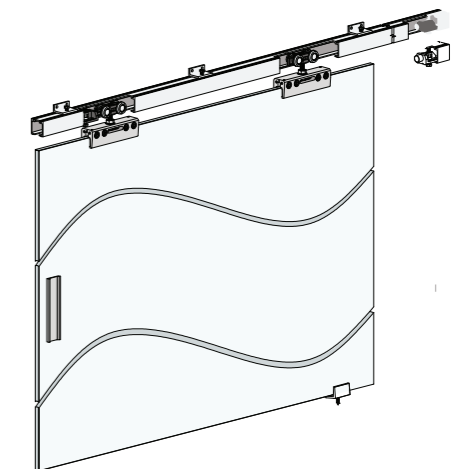
It is ideal for glass doors with a weight up to 100kg.

The system runs on wheels on ball bearings attached to glass clamps. The innovative clamping system ensures no drilling or cutting of glass is necessary, making installation very easy.

Herkules Glass can be used on domestic or light commercial room dividers and screens.

Options available: Symmetric Kit, Silent Stopper

- Small one piece glass clamp is easy to install and adjust
- No need to cut or drill glass
- Strong aluminium top track for easy installation
- Track can be ceiling/soffit mounted or wall hung (wall brackets included)
- Strong hangers with wheels on ball bearings for long life and extra smooth and quiet running
- Clear polycarbonate bottom guide - almost invisible when installed
- Tested to over 100,000 cycles



Code	System Type	Door Type	Door Material	Number of Doors Hung	Max Individual Door Weight (kg)	Door Thickness (mm)	Track Length (mm)
SD/HG200	Sliding	Room Divider	Glass	1	100	8-12mm	2000
SD/HG01	Kit	Room Divider	Glass	1	100	8-12mm	2000
SD/HGCOVS	Cover	Room Divider	Glass	1	100	8-12mm	2000

### Kit Contains



# Herkules 60

## Sliding door system for room dividers

Max. door weight 60kg. Min door thickness 16mm

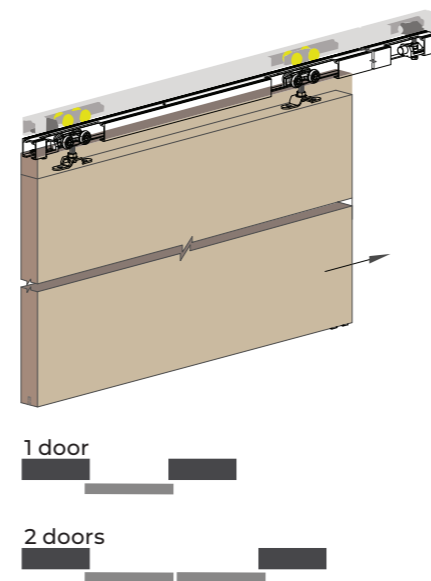
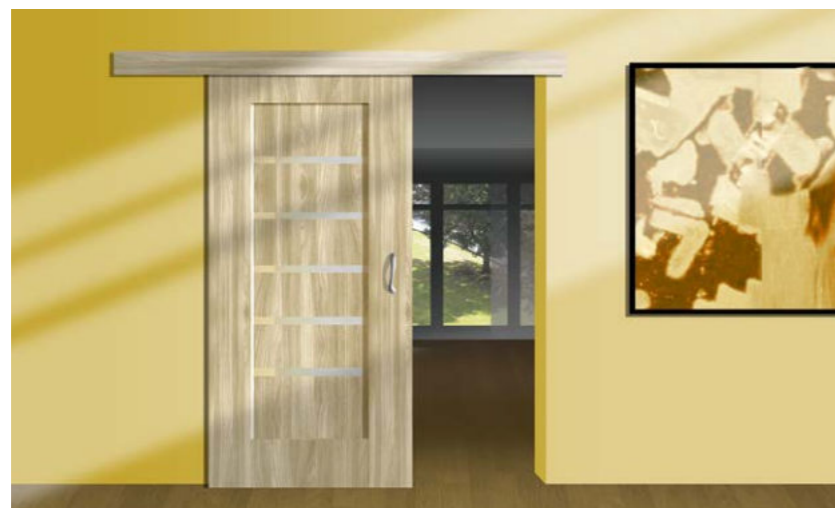
### Features

Herkules 60 is a sliding door system for use with single room dividing doors. It is ideal for heavier duty wooden or MDF doors with a weight of up to 60kg. The Herkules 60 set is perfect for domestic or light commercial applications. The system runs on wheels on needle bearings for a long-lasting smooth running of doors. Options available: Symmetric Kit, Silent Stopper

- Strong aluminium top track for easy installation
- Track can be ceiling/soffit mounted or wall hung (with optional wall brackets)
- Strong hangers with wheels on needle bearings for longer life and smooth and quiet running
- Clear polycarbonate bottom guide - almost invisible when installed
- Range of options including wall brackets, spacers and pelmets



Scan to watch installation video



Code	System Type	Door Type	Door Material	Number of Doors Hung	Max Individual Door Weight (kg)	Door Thickness (mm)	Track Length (mm)
SD/HS6015	Sliding	Room Divider	Wood/Laminate	1	60	min 16mm	1500
SD/HS6018	Sliding	Room Divider	Wood/Laminate	1	60	min 16mm	1800
SD/HS6020	Sliding	Room Divider	Wood/Laminate	1	60	min 16mm	2000
SD/HS6024	Sliding	Room Divider	Wood/Laminate	1	60	min 16mm	2400
SD/HS6030	Sliding	Room Divider	Wood/Laminate	1	60	min 16mm	3000
SD/HS60GR	Sliding	Room Divider	Wood/Laminate	1	60	min 16mm	Extra door kit, no track
SD/HS6020WB	Sliding	5 Wall Bracket	Wood/Laminate	1	60	min 16mm	2000
SD/HS6024WB	Sliding	6 Wall Bracket	Wood/Laminate	1	60	min 16mm	2400

### Kit Contains



# Herkules 120

## Sliding door system for room dividers

Max. door weight 120kg. Min door thickness 22mm

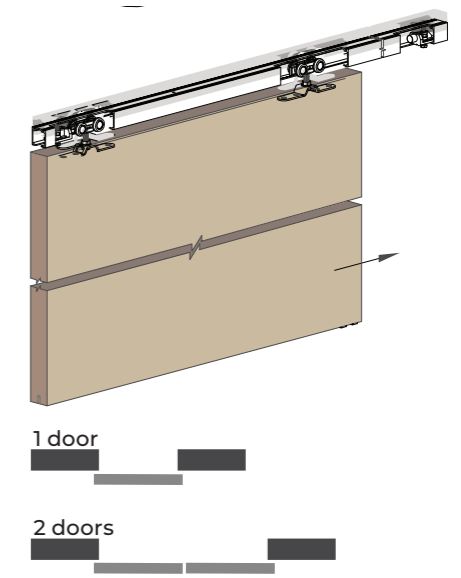
### Features

Herkules 120 is a heavy duty sliding door system for use with single room dividing doors. It is ideal for wooden or MDF doors with a weight up to 120kg. The system is suitable for domestic or medium commercial applications. Runs on wheels on ball bearings to ensure smooth and quiet action. Options available: Symmetric Kit, Silent Stopper

- Strong aluminium top track for easy installation
- Track can be ceiling/soffit mounted or wall hung (with optional wall brackets)
- Strong hangers with wheels on ball bearings for longer life and extra smooth and quiet running
- Clear polycarbonate bottom guide - almost invisible when installed
- Range of options including wall brackets, spacers and pelmets
- Extra Door Kit (without track) available for additional door
- Tested to over 100,000 cycles



Scan to watch installation video



Code	System Type	Door Type	Door Material	Number of Doors Hung	Max Individual Door Weight (kg)	Door Thickness (mm)	Track Length (mm)
SD/HS1212	Sliding	Room Divider	Wood/Laminate	1	120	min 22mm	1200
SD/HS1215	Sliding	Room Divider	Wood/Laminate	1	120	min 22mm	1500
SD/HS1215WB	Wall Bracket	Room Divider	Wood/Laminate	1	120	min 22mm	1500
SD/HS1218WB	Wall Bracket	Room Divider	Wood/Laminate	1	120	min 22mm	1500
SD/HS1218	Sliding	Room Divider	Wood/Laminate	1	120	min 22mm	1800
SD/HS1220	Sliding	Room Divider	Wood/Laminate	1	120	min 22mm	2000
SD/HS1224	Sliding	Room Divider	Wood/Laminate	1	120	min 22mm	2400
SD/HS1230	Sliding	Room Divider	Wood/Laminate	1	120	min 22mm	3000
SD/HS120GR	Sliding	Room Divider	Wood/Laminate	1	120	min 22mm	Extra door kit, no track

### Kit Contains



# Herkules PLUS

## Folding door system for room dividers

Max. door weight 40kg. Door thickness 16-40mm

### Features

Herkules Plus is a premium heavy duty folding door system for room dividing and wardrobe doors.

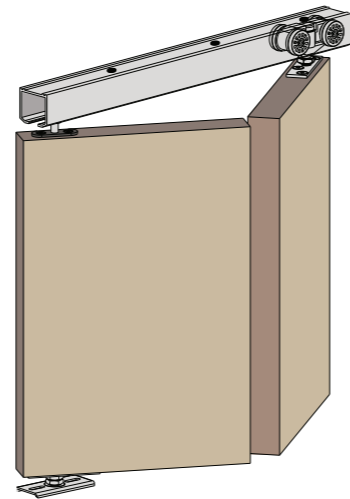
The system is ideal for use with a set of double folding wooden or MDF doors with a weight up to 40kg.

The Herkules Plus runs on top mounted wheels on needle bearings for smooth and quiet running.

- Aluminium track for durable, long lasting finish
- 4 hanger wheels for extra strength
- Wheels are mounted on needle bearings for extra smooth and quiet running
- No bottom track or guides required
- Kit available for additional 2 doors without track



Scan to watch installation video



Code	System Type	Door Type	Door Material	Number of Doors Hung	Max Individual Door Weight (kg)	Door Thickness (mm)	Track Length (mm)
FD/HP12	Folding	Wardrobe/Room	Wood/MDF	2	40	16-40mm	1200
FD/HP15	Folding	Wardrobe/Room	Wood/MDF	2	40	16-40mm	1500
FD/HP40GR	Folding	Wardrobe/Room	Wood/MDF	1	40	16-40mm	Extra door kit, no track

### Kit Contains



# Apollo

## Folding door system for room dividers

Max. door weight 14kg. Door thickness 16-40mm

### Features

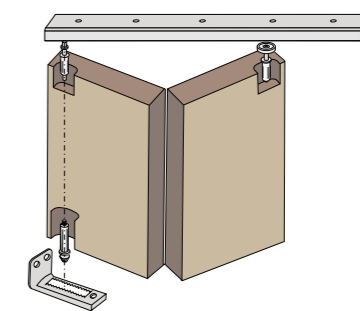
Apollo is a lightweight folding door system for room dividing and wardrobe doors.

The system is ideal for one or two sets of bi-folding wooden or MDF doors with a weight up to 14kg. The Apollo system runs on top mounted rollers attached to steel tracks.

- Kit contains all components needed to fit two or four folding wooden or MDF doors
- Easy installation



Scan to watch installation video



2 doors

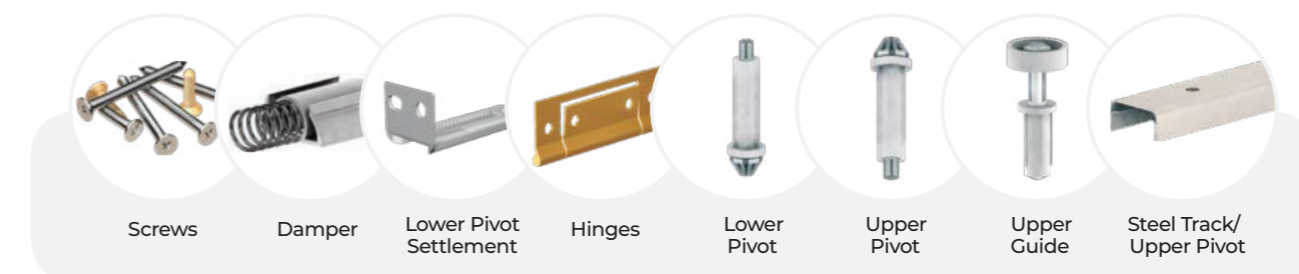


4 doors



Code	System Type	Door Type	Door Material	Number of Doors Hung	Max Individual Door Weight (kg)	Door Thickness (mm)	Track Length (mm)
FD/AP260	Folding	Wardrobe/Room	Wood/MDF	2	14	16-40mm	603
FD/AP290	Folding	Wardrobe/Room	Wood/MDF	2	14	16-40mm	908
FD/AP412	Folding	Wardrobe/Room	Wood/MDF	4	14	16-40mm	1213
FD/AP415	Folding	Wardrobe/Room	Wood/MDF	4	14	16-40mm	1518
FD/AP418	Folding	Wardrobe/Room	Wood/MDF	4	14	16-40mm	1833

### Kit Contains



# Horus

## Sliding door system for wardrobes

Max. door weight 45kg. Door thickness 16-40mm

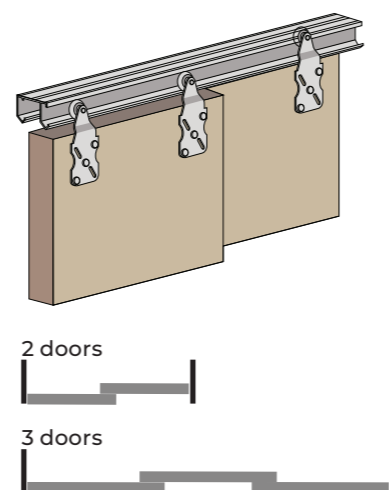
### Features

Horus is a top hung sliding door system for wardrobes. It can be used with 2 or 3 wood/laminate doors with a weight of up to 45kg.

The Horus system is ideal for residential and light commercial applications.

A silent stopper option for Horus is now available to ensure quiet action at all times.

- Strong wheel sets are mounted on ball bearings for extra smooth and quiet running
- Clear polycarbonate bottom guide - virtually invisible when installed
- Extra Door Kit (without track) available for additional door
- Tested to over 100,000 cycles



Code	System Type	Door Type	Door Material	Number of Doors Hung	Max Individual Door Weight (kg)	Door Thickness (mm)	Track Length (mm)
SD/HR15	Sliding	Wardrobe	Wood/Laminate	2	45	16-40 mm	1500
SD/HR18	Sliding	Wardrobe	Wood/Laminate	2	45	16-40 mm	1800
SD/HR24	Sliding	Wardrobe	Wood/Laminate	3	45	16-40 mm	2400
SD/HR30	Sliding	Wardrobe	Wood/Laminate	3	45	16-40 mm	3000
SD/HR01	Sliding	Wardrobe	Wood/Laminate	1	45	16-40mm	Extra door kit, no track
SD/HR02	Sliding	Wardrobe	Wood/Laminate	2	45	16-40mm	Extra door kit, no track

### Kit Contains



# Design Line

## Sliding door system for room dividers

Max. door weight 100kg. Door thickness 35-45mm

### Features

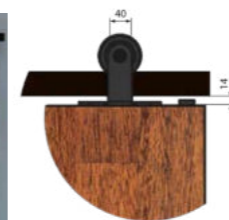
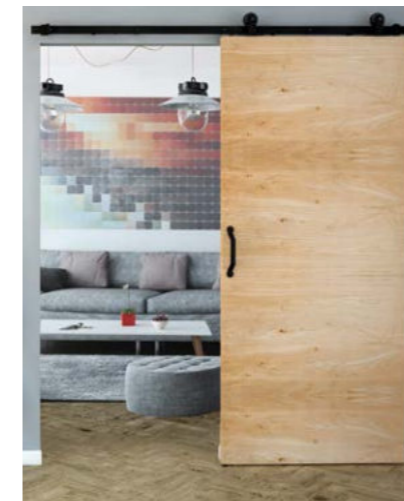
Design Line is a range of sliding door systems inspired by industrial aesthetics, where mechanical elements of the systems are exposed giving an interior a unique touch of individuality.

The Luna and Rea systems are ideal for wooden or MDF interior doors with a weight of up to 100kg.

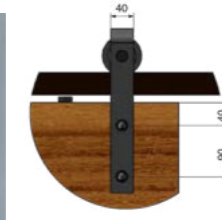
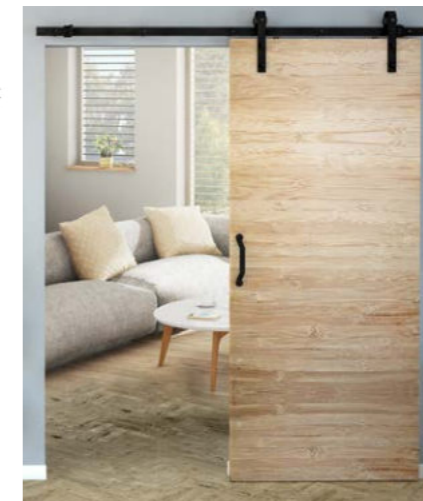
The Design Line ranges run on rollers on ball bearings providing silent and smooth action. Tracks are resilient to mechanical damage and dust ensuring a trouble-free, reliable and modern sliding door solution.

Options available: Silent Stopper

### Luna



### Rea



Code	System Type	Door Type	Door Material	Number of Doors Hung	Max Individual Door Weight (kg)	Door Thickness (mm)	Track Length (mm)
SD/LUNA20	Sliding	Room Divider	Wood/MDF	1	100	35-45mm	2000
SD/REA20	Sliding	Room Divider	Wood/MDF	1	100	35-45mm	2000

## Accessories



## Flat Aluminium Pelmet (1 pack)

Code	System	Product Description
SD/H2M20S	Herkules 60/120/Glass	<ul style="list-style-type: none"> <li>Flat, face-fixing aluminium pelmets (no end caps included)</li> <li>Silver Finish</li> <li>2000mm long</li> </ul>
SD/H2M20B	Herkules 60/120/Glass	<ul style="list-style-type: none"> <li>Flat, face-fixing aluminium pelmets (no end caps included)</li> <li>Metallic Brown Finish</li> <li>2000mm long</li> </ul>



## Pelmet Kit 25mm (1 pack)

Code	System	Product Description
SD/HKPK25	Herkules 60/120/Glass	2010mm Pelmet with 25mm top cover, end caps and door brushes for use when track is wall mounted using 25mm wall brackets



## Pelmet Kit 45mm (1 pack)

Code	System	Product Description
SD/HKPK45	Herkules 60/120/Glass	2010mm Pelmet with 45mm top cover, end caps and door brushes for use when track is wall mounted using 45mm wall brackets



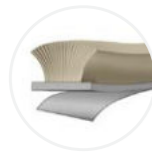
## Pelmet Brackets for Wood and MDF Pelmets (3 pack)

Code	System	Product Description
SD/PBRKT	Herkules 60/120/Glass	<p>Pelmet brackets can be used to attach a wooden or MDF pelmet or cover, perhaps to match the finish of the door. Double-sided brackets can be used for different door thickness</p> <ul style="list-style-type: none"> <li>Pelmet brackets simply clip into the channels in the Herkules track</li> </ul>
SD/HGCOVS	Herkules 60/120/Glass	<p>Pelmet brackets can be used to attach a wooden or MDF pelmet or cover, perhaps to match the finish of the door. Double-sided brackets can be used for different door thickness</p> <ul style="list-style-type: none"> <li>Pelmet brackets simply clip into the channels in the Herkules track</li> </ul>



## Spacers (5 pack)

Code	System	Product Description
SD/SPACE	All	Create an additional gap between track and ceiling when connecting a face fixing pelmet to Herkules track



## Door Brushes (1 Pack)

Code	System	Product Description
SD/BP12	All	<p>All pelmets have channels built in to accept strips of door brushes. These brushes help keep dirt and dust out, or can be used along door edges to prevent slamming. Brushes are included in pelmet kits</p> <ul style="list-style-type: none"> <li>Grey colour</li> <li>5.5m</li> </ul>
SD/BP04	All	<p>All pelmets have channels built in to accept strips of door brushes. These brushes help keep dirt and dust out, or can be used along door edges to prevent slamming. Brushes are included in pelmet kits</p> <ul style="list-style-type: none"> <li>Grey colour</li> <li>12m</li> </ul>

## Accessories



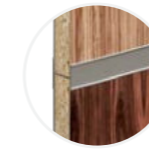
## Wall Brackets (5 pack)

Code	System	Product Description
SD/WB45 (45mm)	Herkules 60/120/Glass	<ul style="list-style-type: none"> <li>Available in 45mm width</li> </ul>



## Joining Wall Brackets (1 pack)

Code	System	Product Description
SD/JB25 (25mm)	Herkules 60/120/Glass	<ul style="list-style-type: none"> <li>Designed to connect two lengths of Herkules track together</li> <li>Available in 25mm and 45mm width</li> </ul>
SD/JB45 (45mm)	Herkules 60/120/Glass	<ul style="list-style-type: none"> <li>Designed to connect two lengths of Herkules track together</li> <li>Available in 25mm and 45mm width</li> </ul>



## Joining Profiles (1 pack)

Code	System	Product Description
SD/AR3JPB	ARES 3	<ul style="list-style-type: none"> <li>Joining Profiles can be used with ARES 3 systems to add panels, mirrors or glass fillers to doors</li> <li>Available in 1800mm length and will accept panels of 18mm thickness or glass or mirrors of 4-6mm thickness</li> <li>Sets include the profile, accessories and fitting instructions</li> <li>Light Brown</li> </ul>
SD/AR3JPS	ARES 3	<ul style="list-style-type: none"> <li>Joining Profiles can be used with ARES 3 systems to add panels, mirrors or glass fillers to doors</li> <li>Available in 1800mm length and will accept panels of 18mm thickness or glass or mirrors of 4-6mm thickness</li> <li>Sets include the profile, accessories and fitting instructions</li> <li>Silver</li> </ul>



## Symmetric Kit (1 pack)

Code	System	Product Description
SD/SYMET	Herkules 60/120	<ul style="list-style-type: none"> <li>The Symmetric kit includes all additional components needed to enable simultaneous opening and closing of two opposite sliding doors on the same Herkules system</li> <li>Max door weight: 60kg Max Door Opening: 2m</li> </ul>
SD/SYMETG	Herkules Glass	



## Silent-Stopper (1 pack)

Code	System	Product Description
SD/SILENT	Herkules 60/120/Glass	<ul style="list-style-type: none"> <li>Ensures smooth closing of doors fitted on a Herkules system</li> <li>The product has three adjustable settings to accept different door weights up to 80kg</li> <li>Includes components for both wooden and glass doors</li> </ul>
SD/HRSILENT	Horus	<ul style="list-style-type: none"> <li>High quality, innovative system providing sliding doors with smooth, soft-closing and gentle stopping</li> <li>Can be installed on both sides of the wardrobe door</li> </ul>
SD/DLSILENT	Design Line (Luna/Rea)	<ul style="list-style-type: none"> <li>High quality, innovative system providing sliding doors with smooth, soft-closing and gentle stopping</li> </ul>



# Drawer Slides

A practical solution for cabinets, tool & general storage drawers, computer keyboards and a variety of other uses around the home. Supplied in pairs, our drawer runners are suitable for both the DIY and trade market.

## Drawer Slides

### Smooth Action Ball Bearing Drawer Slides



Code	Installed Length (mm)	Installed Length (ins)	Extension Length (mm)	Max Load/ Capacity (kg)	Finish	Pack Quantity	Box Quantity
Product Detail: 1. Mounts to side of drawer 2. For filing cabinets, tool storage and general storage drawers							
DSBBZ14	350	14"	355	30 kg	Steel/ Bright Zinc Plated	2 (pair)	10
DSBBZ16	400	16"	405	30 kg	Steel/ Bright Zinc Plated	2 (pair)	10
DSBBZ18	450	18"	455	30 kg	Steel/ Bright Zinc Plated	2 (pair)	10
DSBBZ20	500	20"	505	30 kg	Steel/ Bright Zinc Plated	2 (pair)	10
DSBBZ22	550	22"	555	30 kg	Steel/ Bright Zinc Plated	2 (pair)	8
DSBBZ24	600	24"	605	30 kg	Steel/ Bright Zinc Plated	2 (pair)	8

### Smooth Action Keyboard Drawer Slides



Code	Installed Length (mm)	Installed Length (ins)	Extension Length (mm)	Max Load/ Capacity (kg)	Finish	Pack Quantity	Box Quantity
Product Detail: 1. Mounts to underside of desk and shelf 2. For computer keyboard, printer shelf, etc. 3. Height Adjustable brackets included 4. Ball bearing smooth action							
DSKBZ16R	400	16"	280	30 kg	Steel/ Bright Zinc Plated	2 (pair)	10

### Self Closing Bottom Mount Slides



Code	Installed Length (mm)	Installed Length (ins)	Extension Length (mm)	Max Load/ Capacity (kg)	Finish	Pack Quantity	Box Quantity
Product Detail: 1. Mounts to bottom of drawer 2. Plastic Roller Action 3. High quality steel material ensures long product life							
DSSCA14	350	14"	260	45 kg	Epoxy Coated Steel/Almond	2 (pair)	20
DSSCA16	400	16"	310	45 kg	Epoxy Coated Steel/Almond	2 (pair)	20
DSSCA18	450	18"	360	45 kg	Epoxy Coated Steel/Almond	2 (pair)	20
DSSCA20	500	20"	410	45 kg	Epoxy Coated Steel/Almond	2 (pair)	20
DSSCW12	300	12"	210	45 kg	Epoxy Coated Steel/White	2 (pair)	20
DSSCW14	350	14"	260	45 kg	Epoxy Coated Steel/White	2 (pair)	20
DSSCW16	400	16"	310	45 kg	Epoxy Coated Steel/White	2 (pair)	20
DSSCW18	450	18"	360	45 kg	Epoxy Coated Steel/White	2 (pair)	20
DSSCW20	500	20"	410	45 kg	Epoxy Coated Steel/White	2 (pair)	20
DSSCW22	550	22"	430	45 kg	Epoxy Coated Steel/White	2 (pair)	10
DSSCW24	600	24"	480	45 kg	Epoxy Coated Steel/White	2 (pair)	10







# Storage

In times where home space is often limited, Rothley has one of the most comprehensive storage ranges in the market. We offer solutions ideal for kitchen, garage and shed storage to maximise space.

## Storage Hooks

## Heavy Duty Hooks

Code	Product Details	Product Details 2	Depth/Projection (mm)	Height (mm)	Width (mm)	Max. Load (kg)	Material	Finish	Pack/Box Quantity
H358XX	Heavy Duty Single Padded Hook		385	250	45	22.7	Steel With Foam	Cream	10
H359XX	Heavy Duty Single Padded Swivel Hook		315	245	40	22.7	Steel With Foam	Cream	10
H360XX	Heavy Duty Storage Padded Hook - Shelf Support		280	410	30	22.7	Steel with Foam	Cream	10
H351XX	Heavy Duty Ceiling Mount T-Hook		250	335	550	22.7	Steel	Cream	10
H361XX	Heavy Duty Double Arm Padded Hook		160	280	280	34	Steel With Foam	Cream	10

## Medium Duty Hooks

Code	Product Details	Product Details 2	Depth/Projection (mm)	Height (mm)	Width (mm)	Max. Load (kg)	Material	Finish	Pack/Box Quantity
H352XX	60mm Single Tubular Hook		60	100	10	15	Steel With Red Vinyl Cap	Black Steel	10
H357XX	50mm Double Tubular Hook		50	70	165	20	Steel With Red Vinyl Cap	Black Steel	10
H353XX	115mm Single Tubular Hook		115	200	20	15	Steel With Red Vinyl Cap	Black Steel	10
H355XX	120mm Double Tubular Hook		120	205	70	20	Steel With Red Vinyl Cap	Black Steel	10
H354XX	170mm Single Tubular Hook		170	20	200	15	Steel With Red Vinyl Cap	Black Steel	10
H356XX	200mm Double Tubular Hook		200	70	205	20	Steel With Red Vinyl Cap	Black Steel	10
H373XX	260mm Single Tubular Hook		260	270	30	15	Steel With Red Vinyl Cap	Black Steel	20

## Storage Hooks

## S Hooks

Code	Product Details	Product Details 2	Depth/Projection (mm)	Height (mm)	Width (mm)	Max. Load (kg)	Material	Finish	Pack/Box Quantity
H345XX	200mm S Hook		70	200	5	10	Steel With Red Vinyl Cap	Black Steel	10
H349XX	400mm S Hook		60	430	5	10	Steel With Red Vinyl Cap	Black Steel	10
H350XX	330mm Jumbo S Hook		135	330	20	20	Zinc Plated	Red Vinyl Caps	10

## Handy Hooks

Code	Product Details	Product Details 2	Depth/Projection (mm)	Height (mm)	Width (mm)	Max. Load (kg)	Material	Finish	Pack/Box Quantity
H379XX	Pair of Handy Hooks		20	110	20	20	Steel	Red Vinyl Caps	10

## Storage Hooks

Code	Product Details	Product Details 2	Depth/Projection (mm)	Height (mm)	Width (mm)	Max. Load (kg)	Material	Finish	Pack/Box Quantity
H380XX	Double Arm Storage Hook		300	250	230	34	Steel	Red Vinyl Caps	10
H381XX	Lockable Storage Hook		130	230	30	22	Steel	Red Vinyl Caps	10

## Wall/Ceiling Hook

Code	Product Details	Depth/Projection (mm)	Height (mm)	Width (mm)	Max. Load (kg)	Material	Finish	Pack/Box Quantity
RK02972SHO	Wall Support	115	160	30		Steel	Galvanised	2
RK02975SHO	Wall Hook	150	255	50		Steel	Galvanised	2

## Storage Hooks

## Screw in Hooks

Code	Product Details	Product Details 2	Depth/Projection (mm)	Height (mm)	Width (mm)	Max. Load (kg)	Material	Finish	Pack/Box Quantity
H362XX	Screw-in Small Round Hooks	Screw-in All Purpose Hooks	95			10	Zinc Plated	Red Vinyl	10
H363XX	Screw-in Large Round Hooks	Screw-in All Purpose Hooks	100			15	Zinc Plated	Red Vinyl	10
H364XX	Screw-in U-Shaped Tool Hooks	Screw-in All Purpose Hooks	95			10	Zinc Plated	Red Vinyl	10
H365XX	Screw-in Large Square Hooks	Screw-in All Purpose Hooks	115			15	Zinc Plated	Red Vinyl	10
H366XX	Screw-in Small Square Hooks	Screw-in All Purpose Hooks	95			10	Zinc Plated	Red Vinyl	10

## Utensil Support

Code	Product Details	Depth/Projection (mm)	Height (mm)	Width (mm)	Max. Load (kg)	Material	Finish	Pack/Box Quantity
RK02968SHO	Double Wall Hook	90	120	40		Steel	Galvanised	2
RK02969SHO	Utensil Support	120	175	20		Steel	Galvanised	2
RK02970SHO	Utensil Support	250	120	15		Steel	Galvanised	2
RK02971SHO	Utensil Support	325	120	12		Steel	Galvanised	2

## Storage Hooks

## Spring Loaded Clips &amp; Tool Storage

Code	Product Details	Product Details 2	Depth/Projection (mm)	Height (mm)	Width (mm)	Max. Load (kg)	Material	Finish	Pack/Box Quantity
H367XX	Adjustable Spring Loaded Clip Rail	5 Spring Loaded Clips	95		43	2.5 per clip	Steel	Steel	10
H368XX	Single Spring Loaded Clip	Spring Loaded Clips	45		25	2.5	Steel	Steel	10

## Tool Storage

Code	Product Details	Product Details 2	Depth/Projection (mm)	Height (mm)	Width (mm)	Max. Load (kg)	Material	Finish	Pack/Box Quantity
H369XX	Non-Slip Broom Holder		45		17	5	Zinc Plated	White Vinyl	10
H370XX	Pair of Double Metal Tool Hooks	Tool Hooks	75		60	20	Zinc Plated	Zinc Plated	10
H371XX	Pair of Single Metal Tool Hooks	Tool Hooks	20		50	10	Zinc Plated	Zinc Plated	10

## Bike Storage

Code	Product Details	Product Details 2	Depth/Projection (mm)	Height (mm)	Width (mm)	Max. Load (kg)	Material	Finish	Pack/Box Quantity
H382XX	Folding Bike Hook		510	520	300		Steel		5
H384XX	Curved Non-Slip Bike Wheel Hook		100	175	200		Steel		10
H385XX	Double Hook Bike Wall Hanger		210	190	330		Steel		5

## Storage Hooks

## Aluminium Wall Hooks

Code	Product Details	Depth/ Projection (mm)	Height (mm)	Max. Load (kg)	Material	Finish	Pack/Box Quantity
RK01901AHO	Single Wall Hook	175	80	15	Aluminium	Uncoated	2
RK01902AHO	Single Wall Hook	230	130	20	Aluminium	Uncoated	2
RK01903AHO	Single Wall Hook	80	120	35	Aluminium	Uncoated	2
RK01904AHO	Single Wall Hook	115	140	30	Aluminium	Uncoated	2
RK01908AHO	Bicycle Hook	110	165	35	Aluminium	Uncoated	2

## Steel Wall Hooks

Code	Product Details	Depth/ Projection (mm)	Height (mm)	Max. Load (kg)	Material	Finish	Pack/Box Quantity
RK02955SHO	Single Wall Hook	80	115	45	Steel	Red Vinyl	2
RK02956SHO	Single Wall Hook	80	115	45	Steel	Red Vinyl	2
RK02959SHO	Single Wall Hook	115	140	30	Steel	Red Vinyl	2
RK02962SHO	Single Wall Hook	150	210	50	Steel	Red Vinyl	2
RK02965SHO	Bicycle Hook	280	300	30	Steel	Red Vinyl	2

## Storage Hooks

## Galvanised Steel Wall Hooks

Code	Product Details	Depth/ Projection (mm)	Height (mm)	Max. Load (kg)	Material	Finish	Pack/Box Quantity
RK02958SHO	Single Wall Hook	115	140	30	Steel	Galvanised	2
RK02961SHO	Single Wall Hook	150	210	50	Steel	Galvanised	2
RK02964SHO	Single Wall Hook	250	300	30	Steel	Galvanised	2

## Universal Hooks

Code	Product Details	Depth/ Projection (mm)	Height (mm)	Max. Load (kg)	Material	Finish	Pack/Box Quantity
RK02981SHO	Single Wall Hook	35	82	30	Steel	Red Vinyl	2
RK02983SHO	Single Wall Hook	70	110	55	Steel	Natural	2
RK02980SHO	Single Wall Hook	35	82	30	Steel	Galvanised	2



72 | Order online at [www.rothley.com](http://www.rothley.com)

# Hook Rails

Our range of hook rails come in a variety of traditional, antique and modern style finishes. With our recent range additions, we now have the choice of different designs and materials such as aluminium, wood, brass and chrome.

## Hook Rails



### Chrome Hook Rail

Code	Product Details	Product Details 2	Depth (mm)	Finish	Pack/Box Quantity
H964XQ	Aluminium Base Hook Rail	4 Chrome Hooks	367	Aluminium	10



### Chrome Peg Rail

Code	Product Details	Product Details 2	Depth (mm)	Finish	Pack/Box Quantity
H963XQ	Aluminium Peg Rail	3 Chrome Peg Hooks	210	Aluminium	10



### Scalloped Hook Rail

Code	Product Details	Product Details 2	Depth (mm)	Finish	Pack/Box Quantity
H957XP	Pine Hook Rail	4 Chrome Tri Scalloped Hooks	460	Pine	10



### Key Hook Rail

Code	Product Details	Product Details 2	Depth (mm)	Finish	Pack/Box Quantity
H956XP	Pine Hook Rail	4 Chrome Mini Cup Hooks	223	Pine	10



### Traditional Antique Hook Rail

Code	Product Details	Product Details 2	Depth (mm)	Finish	Pack/Box Quantity
H954XA	Antique Pine Hook Rail	4 Antique Hooks	460	Antique Pine	10
H954XP	Pine Hook Rail	4 Antique Hooks	460	Pine	10
H954XM	Mahogany Hook Rail	4 Antique Hooks	460	Mahogany	10



### Standard Hook Rail

Code	Product Details	Product Details 2	Depth (mm)	Finish	Pack/Box Quantity
H952XW	White Wash Hook Rail	4 Chrome Hooks	460	White wash	10
H951XP	Pine Hook Rail	6 Chrome Hooks	685	Pine	10
H951XA	Antique Pine Hook Rail	6 Chrome Hooks	685	Antique pine	10
H950XW	Solid White Hook Rail	4 Chrome Hooks	460	Solid white	10
H950XP	Pine Hook Rail	4 Chrome Hooks	460	Pine	10
H950XA	Antique Pine Hook Rail	4 Chrome Hooks	460	Antique pine	10



### Modern Hook Rail

Code	Product Details	Product Details 2	Depth (mm)	Finish	Pack/Box Quantity
HABS310	Aluminium Board	3 Peg	200	Brushed Silver	10
HABS420	Aluminium Board	4 Hooks	365	Brushed Silver	10
HAMB310	Aluminium Board	3 Peg	200	Matt Black	10
HAMB420	Aluminium Board	4 Hooks	365	Matt Black	10
HAMW310	Aluminium Board	3 Peg	200	Matt White	10
HAMW420	Aluminium Board	4 Hook	365	Matt White	10
HABR310	Aluminium Board	3 Peg	200	Satin Brass	10
HABR420	Aluminium Board	4 Hooks	365	Satin Brass	10



# Shelving

Our shelving range is ideal for use in domestic, light commercial and public sector buildings. All products are made of steel in various finish.

## Shelving

## London Brackets

Code	Length (ins)	Length (mm)	Material	Finish	Pack/Box Quantity
BRLB75AB	3" X 4"	75 x 100	Steel	Antique Brass	20
BRLB100AB	4" X 5"	100 x 125	Steel	Antique Brass	20
BRLB125AB	5" X 6"	125 x 150	Steel	Antique Brass	20
BRLB150AB	6" X 8"	150 x 200	Steel	Antique Brass	20
BRLB175AB	7" X 9"	175 x 225	Steel	Antique Brass	20
BRLB200AB	8" X 10"	200 x 250	Steel	Antique Brass	20
BRLB250AB	10" X 12"	250 x 300	Steel	Antique Brass	20
BRLB300AB	12" X 14"	300 x 350	Steel	Antique Brass	20
BRLB75AC	3" X 4"	75 x 100	Steel	Antique Copper	20
BRLB100AC	4" X 5"	100 x 125	Steel	Antique Copper	20
BRLB125AC	5" X 6"	125 x 150	Steel	Antique Copper	20
BRLB150AC	6" X 8"	150 x 200	Steel	Antique Copper	20
BRLB175AC	7" X 9"	175 x 225	Steel	Antique Copper	20
BRLB200AC	8" X 10"	200 x 250	Steel	Antique Copper	20
BRLB250AC	10" X 12"	250 x 300	Steel	Antique Copper	20
BRLB300AC	12" X 14"	300 x 350	Steel	Antique Copper	20
BRLB75BC	3" X 4"	75 x 100	Steel	Polished Copper	20
BRLB100BC	4" X 5"	100 x 125	Steel	Polished Copper	20
BRLB125BC	5" X 6"	125 x 150	Steel	Polished Copper	20
BRLB150BC	6" X 8"	150 x 200	Steel	Polished Copper	20
BRLB175BC	7" X 9"	175 x 225	Steel	Polished Copper	20
BRLB200BC	8" X 10"	200 x 250	Steel	Polished Copper	20
BRLB250BC	10" X 12"	250 x 300	Steel	Polished Copper	20
BRLB300BC	12" X 14"	300 x 350	Steel	Polished Copper	20
BRLB75G	3" X 4"	75 x 100	Steel	Grey	20
BRLB100G	4" X 5"	100 x 125	Steel	Grey	20
BRLB125G	5" X 6"	125 x 150	Steel	Grey	20
BRLB150G	6" X 8"	150 x 200	Steel	Grey	20
BRLB175G	7" X 9"	175 x 225	Steel	Grey	20
BRLB200G	8" X 10"	200 x 250	Steel	Grey	20
BRLB250G	10" X 12"	250 x 300	Steel	Grey	20
BRLB300G	12" X 14"	300 x 350	Steel	Grey	20
BRLB75MB	3" X 4"	75 x 100	Steel	Matt Black	20
BRLB100MB	4" X 5"	100 x 125	Steel	Matt Black	20
BRLB125MB	5" X 6"	125 x 150	Steel	Matt Black	20
BRLB150MB	6" X 8"	150 x 200	Steel	Matt Black	20
BRLB175MB	7" X 9"	175 x 225	Steel	Matt Black	20
BRLB200MB	8" X 10"	200 x 250	Steel	Matt Black	20
BRLB250MB	10" X 12"	250 x 300	Steel	Matt Black	20
BRLB300MB	12" X 14"	300 x 350	Steel	Matt Black	20
BRLB75W	3" X 4"	75 x 100	Steel	Matt White	20
BRLB100W	4" X 5"	100 x 125	Steel	Matt White	20
BRLB125W	5" X 6"	125 x 150	Steel	Matt White	20
BRLB150W	6" X 8"	150 x 200	Steel	Matt White	20
BRLB175W	7" X 9"	175 x 225	Steel	Matt White	20
BRLB200W	8" X 10"	200 x 250	Steel	Matt White	20
BRLB250W	10" X 12"	250 x 300	Steel	Matt White	20
BRLB300W	12" X 14"	300 x 350	Steel	Matt White	20

## Shelving

## Ornate Bracket

Code	Product Details	Depth (mm)	Material	Finish	Pack/Box Quantity
BROR150LS		150 x 150	Steel	Laquered Steel	10
BROR200LS		200 x 200	Steel	Laquered Steel	10
BROR270LS		270 x 270	Steel	Laquered Steel	10
BROR150MB		150 x 150	Steel	Matt Black	10
BROR200MB		200 x 200	Steel	Matt Black	10
BROR270MB		270 x 270	Steel	Matt Black	10

## Tapered Arch Bracket

Code	Product Details	Depth (mm)	Material	Finish	Pack/Box Quantity
BRTA150LS		150 x 150	Steel	Laquered Steel	20
BRTA200LS		200 x 200	Steel	Laquered Steel	16
BRTA270LS		270 x 270	Steel	Laquered Steel	10
BRTA150MB		150 x 150	Steel	Matt Black	20
BRTA200MB		200 x 200	Steel	Matt Black	16
BRTA270MB		270 x 270	Steel	Matt Black	10

## Industrial Bottom Flar Bar Bracket

Code	Product Details	Depth (mm)	Material	Finish	Pack/Box Quantity
BRFB207LS		153 x 207	Steel	Laquered Steel	10
BRFB232LS		153 x 232	Steel	Laquered Steel	10
BRFB307LS		153 x 307	Steel	Laquered Steel	10

## Top Fix Raw Steel Bracket

Code	Product Details	Depth (mm)	Material	Finish	Pack/Box Quantity
BRTF207LS		135 x 207	Steel	Laquered Steel	10
BRTF232LS		135 x 232	Steel	Laquered Steel	10
BRTF307LS		135 x 307	Steel	Laquered Steel	10

## Flexible Book Ends

Code	Length (ins)	Length (mm)	Material	Finish	Pack/Box Quantity
TSFBW150		150	Steel	Matt White	10
TSFBW250		250	Steel	Matt White	10

## Shelving

## Twin Slot Shelving Brackets

Code	Length (ins)	Length (mm)	Material	Finish	Pack/Box Quantity
TSBAB04	4.5"	120	Steel	Antique Brass	10
TSBAB06	6.5"	170	Steel	Antique Brass	10
TSBAB08	8.5"	220	Steel	Antique Brass	10
TSBAB10	10.5"	270	Steel	Antique Brass	10
TSBAB12	12.5"	320	Steel	Antique Brass	10
TSBAB14	14.5"	370	Steel	Antique Brass	10
TSBAB18	18.5"	470	Steel	Antique Brass	10
TSBAC04	4.5"	120	Steel	Antique Copper	10
TSBAC06	6.5"	170	Steel	Antique Copper	10
TSBAC08	8.5"	220	Steel	Antique Copper	10
TSBAC10	10.5"	270	Steel	Antique Copper	10
TSBAC12	12.5"	320	Steel	Antique Copper	10
TSBAC14	14.5"	370	Steel	Antique Copper	10
TSBAC18	18.5"	470	Steel	Antique Copper	10
TSBK04	4.5"	120	Steel	Krome Painted	10
TSBK06	6.5"	170	Steel	Krome Painted	10
TSBK08	8.5"	220	Steel	Krome Painted	10
TSBK10	10.5"	270	Steel	Krome Painted	10
TSBK12	12.5"	320	Steel	Krome Painted	10
TSBK14	14.5"	370	Steel	Krome Painted	10
TSBK18	18.5"	470	Steel	Krome Painted	10
TSBBC04	4.5"	120	Steel	Polished Copper	10
TSBBC06	6.5"	170	Steel	Polished Copper	10
TSBBC08	8.5"	220	Steel	Polished Copper	10
TSBBC10	10.5"	270	Steel	Polished Copper	10
TSBBC12	12.5"	320	Steel	Polished Copper	10
TSBBC14	14.5"	370	Steel	Polished Copper	10
TSBBC18	18.5"	470	Steel	Polished Copper	10
TSBMB04	4.5"	120	Steel	Matt Black	10
TSBMB06	6.5"	170	Steel	Matt Black	10
TSBMB08	8.5"	220	Steel	Matt Black	10
TSBMB10	10.5"	270	Steel	Matt Black	10
TSBMB12	12.5"	320	Steel	Matt Black	10
TSBMB14	14.5"	370	Steel	Matt Black	10
TSBMB18	18.5"	470	Steel	Matt Black	10
TSBW04	4.5"	120	Steel	Matt White	10
TSBW06	6.5"	170	Steel	Matt White	10
TSBW08	8.5"	220	Steel	Matt White	10
TSBW10	10.5"	270	Steel	Matt White	10
TSBW12	12.5"	320	Steel	Matt White	10
TSBW14	14.5"	370	Steel	Matt White	10
TSBW18	18.5"	470	Steel	Matt White	10

## Shelving

## Twin Slot Uprights

Code	Length (ins)	Length (mm)	Material	Finish	Pack/Box Quantity
TSUAB16	16.75"	430	Steel	Antique Brass	10
TSUAB28	28"	710	Steel	Antique Brass	10
TSUAB39	39.25"	1000	Steel	Antique Brass	10
TSUAB48	48"	1200	Steel	Antique Brass	10
TSUAB63	63"	1600	Steel	Antique Brass	10
TSUAB78	78"	1980	Steel	Antique Brass	10
TSUAB94	94.25"	2400	Steel	Antique Brass	10
TSUAC16	16.75"	430	Steel	Antique Copper	10
TSUAC28	28"	710	Steel	Antique Copper	10
TSUAC39	39.25"	1000	Steel	Antique Copper	10
TSUAC48	48"	1200	Steel	Antique Copper	10
TSUAC63	63"	1600	Steel	Antique Copper	10
TSUAC78	78"	1980	Steel	Antique Copper	10
TSUAC94	94.25"	2400	Steel	Antique Copper	10
TSUK16	16.75"	430	Steel	Krome Painted	10
TSUK28	28"	710	Steel	Krome Painted	10
TSUK39	39.25"	1000	Steel	Krome Painted	10
TSUK48	48"	1219	Steel	Krome Painted	10
TSUK63	63"	1600	Steel	Krome Painted	10
TSUK78	78"	1980	Steel	Krome Painted	10
TSUK94	94.25"	2400	Steel	Krome Painted	10
TSUMB16	16.75"	430	Steel	Matt Black	10
TSUMB28	28"	710	Steel	Matt Black	10
TSUMB39	39.25"	1000	Steel	Matt Black	10
TSUMB48	48"	1219	Steel	Matt Black	10
TSUMB63	63"	1600	Steel	Matt Black	10
TSUMB78	78"	1980	Steel	Matt Black	10
TSUW16	16.75"	430	Steel	Matt White	10
TSUW28	28"	710	Steel	Matt White	10
TSUW39	39.25"	1000	Steel	Matt White	10
TSUW48	48"	1200	Steel	Matt White	10
TSUW63	63"	1600	Steel	Matt White	10
TSUW78	78"	1980	Steel	Matt White	10
TSUW94	94.25"	2400	Steel	Matt White	10

## Home Office Kit

Code	Product Details	Product Details 2	Width (mm)	Length (mm)	Depth (mm)	Finish	Pack/Box Quantity
Product Detail: 1 x Desk Board (Matt White), 2x Shelf Boards (Matt White), 2x 470mm Desk Brackets, 4x 165mm Shelf Brackets 4x 710mm Twin Slot Uprights, 2x Hairpin Legs							
KOAB01	Kit	BAROQUE	1000	2046	615	Antique Brass	1



## Shelving

## Mitred Brackets

Code	Length (ins)	Length (mm)	Material	Finish	Pack/Box Quantity
BRMB200AB	8" x 8"	200 x 200	Steel	Antique Brass	10
BRMB250AB	10" x 10"	250 x 250	Steel	Antique Brass	10
BRMB300AB	12" x 12"	300 x 300	Steel	Antique Brass	10
BRMB350AB	14" x 14"	350 x 350	Steel	Antique Brass	10
BRMB200AC	8" x 8"	200 x 200	Steel	Antique Copper	10
BRMB250AC	10" x 10"	250 x 250	Steel	Antique Copper	10
BRMB300AC	12" x 12"	300 x 300	Steel	Antique Copper	10
BRMB350AC	14" x 14"	350 x 350	Steel	Antique Copper	10
BRMB200MB	8" x 8"	200 x 200	Steel	Matt Black	10
BRMB250MB	10" x 10"	250 x 250	Steel	Matt Black	10
BRMB300MB	12" x 12"	300 x 300	Steel	Matt Black	10
BRMB350MB	14" x 14"	350 x 350	Steel	Matt Black	10
BRMB200W	8" x 8"	200 x 200	Steel	Matt White	10
BRMB250W	10" x 10"	250 x 250	Steel	Matt White	10
BRMB300W	12" x 12"	300 x 300	Steel	Matt White	10
BRMB350W	14" x 14"	350 x 350	Steel	Matt White	10

## Cantilever Brackets

Code	Length (ins)	Length (mm)	Material	Finish	Pack/Box Quantity
BRCB120AB	5" x 6"	120 x 150	Steel	Antique Brass	10
BRCB150AB	6" x 8"	150 x 200	Steel	Antique Brass	10
BRCB200AB	8" x 10"	200 x 250	Steel	Antique Brass	10
BRCB120AC	5" x 6"	120 x 150	Steel	Antique Copper	10
BRCB150AC	6" x 8"	150 x 200	Steel	Antique Copper	10
BRCB200AC	8" x 10"	200 x 250	Steel	Antique Copper	10
BRCB120MB	5" x 6"	120 x 150	Steel	Matt Black	10
BRCB150MB	6" x 8"	150 x 200	Steel	Matt Black	10
BRCB200MB	8" x 10"	200 x 250	Steel	Matt Black	10
BRCB120W	5" x 6"	120 x 150	Steel	Matt White	10
BRCB150W	6" x 8"	150 x 200	Steel	Matt White	10
BRCB200W	8" x 10"	200 x 250	Steel	Matt White	10

## Alcove Brackets

Code	Length (ins)	Length (mm)	Material	Finish	Pack/Box Quantity
BAS170MB	6 2/3"	170	Steel	Matt Black	20
BAS190MB	7 1/2"	190	Steel	Matt Black	20
BAS270MB	10 5/8"	270	Steel	Matt Black	20
BAS170LS	6 2/3"	170	Steel	Laquered Steel	20
BAS190LS	7 1/2"	190	Steel	Laquered Steel	20
BAS270LS	10 5/8"	270	Steel	Laquered Steel	20

## Shelving

## Floating Shelf Rods

Code	Product Details	Depth (mm)	Material	Finish	Pack/Box Quantity
BFSS10010	Hidden	100 x 10		N/A	10
BFSS12012	Hidden	120 x 12		N/A	10
BFSS14014	Hidden	140 x 14		N/A	10
BFSS14510	Hidden	145 x 10		N/A	10

## Heavy Duty Bracket

Code	Product Details	Depth (mm)	Material	Finish	Pack/Box Quantity
BRHD300AC	Heavy Duty	210 x 300	Steel	Antique Copper	10
BRHD400AC	Heavy Duty	270 x 400	Steel	Antique Copper	10
BRHD500AC	Heavy Duty	330 x 500	Steel	Antique Copper	10
BRHD300AB	Heavy Duty	210 x 300	Steel	Antique Brass	10
BRHD400AB	Heavy Duty	270 x 400	Steel	Antique Brass	10
BRHD500AB	Heavy Duty	330 x 500	Steel	Antique Brass	10
BRHD300MB	Heavy Duty	210 x 300	Steel	Matt Black	10
BRHD400MB	Heavy Duty	270 x 400	Steel	Matt Black	10
BRHD500MB	Heavy Duty	330 x 500	Steel	Matt Black	10
BRHD300W	Heavy Duty	210 x 300	Steel	Matt White	10
BRHD400W	Heavy Duty	270 x 400	Steel	Matt White	10
BRHD500W	Heavy Duty	330 x 500	Steel	Matt White	10

## D Shape Bracket

Code	Product Details	Depth (mm)	Material	Finish	Pack/Box Quantity
BRD185MB		185 x 185	Steel	Matt Black	10
BRD230MB		230 x 230	Steel	Matt Black	10
BRD185W		185 x 185	Steel	Matt White	10
BRD230W		230 x 230	Steel	Matt White	10

## Twin Curve Bracket

Code	Product Details	Depth (mm)	Material	Finish	Pack/Box Quantity
BRCE150MB		150 x 150	Steel	Matt Black	10
BRCE200MB		200 x 200	Steel	Matt Black	10
BRCE150W		150 x 150	Steel	Matt White	10
BRCE200W		200 x 200	Steel	Matt White	10

## Wall Mounted Shelving Unit

Code	Product Details	Width x Height (mm)	Material	Finish	Pack/Box Quantity
BKW2200MB	2 Shelf (200mm deep)	380 x 550	Steel	Matt Black	1
BKW2250MB	2 Shelf (250mm deep)	380 x 550	Steel	Matt Black	1
BKW3200MB	3 Shelf (200mm deep)	380 x 800	Steel	Matt Black	1
BKW3250MB	3 Shelf (260mm deep)	380 x 800	Steel	Matt Black	1

## Shelving

## Belt Brackets

Code	Product Details	Depth (mm)	Material	Finish	Pack/Box Quantity
BB18230MB	230 x 18mm Thick Shelves	126	Steel	Matt Black	20
BB18300MB	300 x 18mm Thick Shelves	126	Steel	Matt Black	20
BB22200MB	200 x 22mm Thick Shelves	126	Steel	Matt Black	20
BB22230MB	230 x 22mm Thick Shelves	126	Steel	Matt Black	20
BB22300MB	300 x 22mm Thick Shelves	126	Steel	Matt Black	20
BB27200MB	200 x 27mm Thick Shelves	126	Steel	Matt Black	20
BB27230MB	230 x 27mm Thick Shelves	126	Steel	Matt Black	20
BB27300MB	300 x 27mm Thick Shelves	126	Steel	Matt Black	20
BB38230MB	230 x 38mm Thick Shelves	126	Steel	Matt Black	20



## Rustic Arch Bracket

Code	Product Details	Depth (mm)	Material	Finish	Pack/Box Quantity
BRRH150LS		150 x 150	Steel	Laquered Steel	16
BRRH200LS		200 x 200	Steel	Laquered Steel	16
BRRH270LS		270 x 270	Steel	Laquered Steel	10
BBRA150MB		150 x 150	Steel	Matt Black	16
BBRA200MB		200 x 200	Steel	Matt Black	16
BBRA270MB		270 x 270	Steel	Matt Black	10



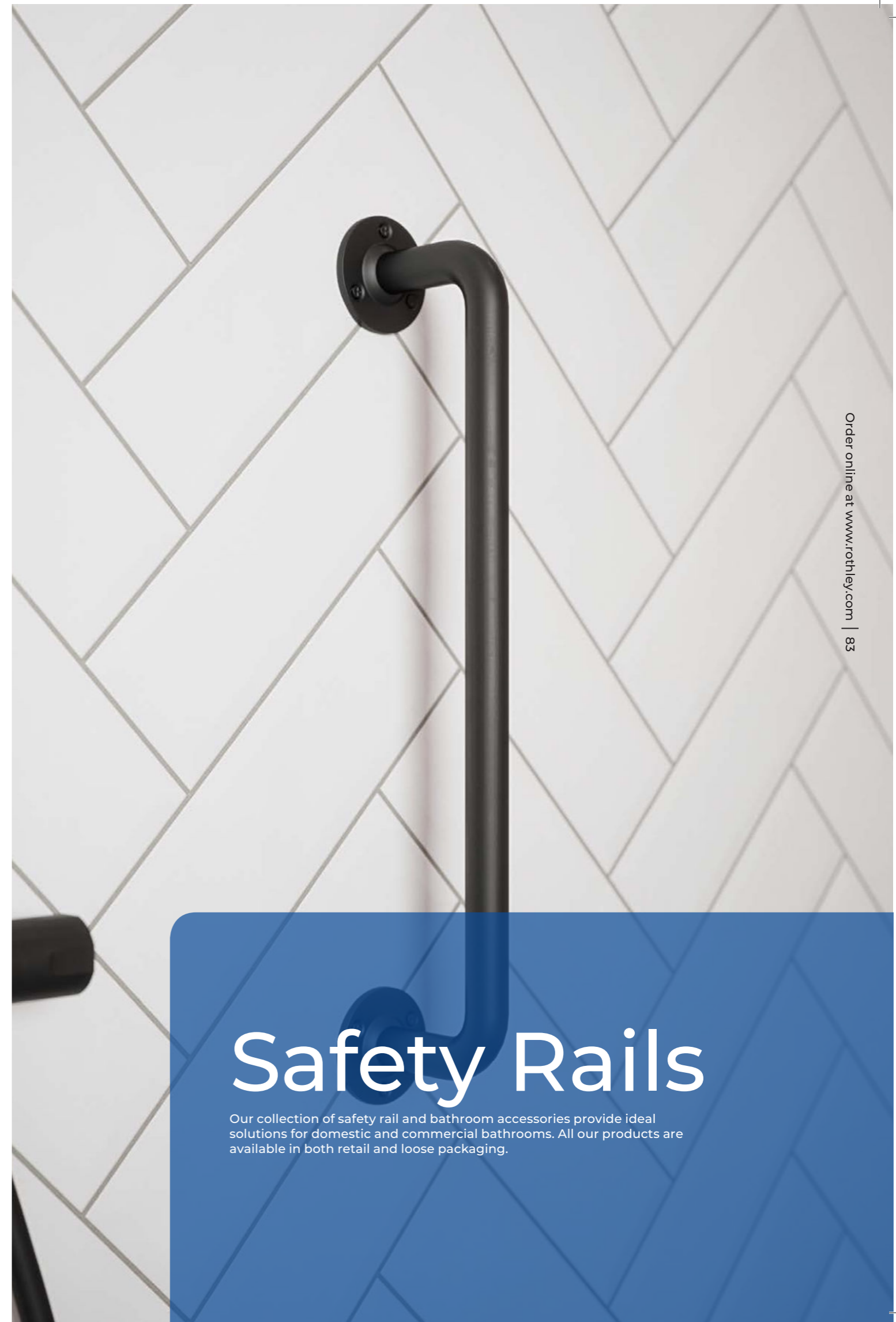
## Pipe (Curved) Bracket

Code	Product Details	Depth (mm)	Material	Finish	Pack/Box Quantity
BRPL080AC	Tube Dia (20mm)	80 x 80	Steel	Antique Copper	10
BRPL150AC	Tube Dia (20mm)	80 x 150	Steel	Antique Copper	10
BRPL080MB	Tube Dia (20mm)	80 x 80	Steel	Matt Black	10
BRPL150MB	Tube Dia (20mm)	80 x 150	Steel	Matt Black	10



## Pipe (Straight) Bracket

Code	Product Details	Depth (mm)	Material	Finish	Pack/Box Quantity
BRP150AC	Tube Dia (20mm)	150	Steel	Antique Copper	10
BRP200AC	Tube Dia (20mm)	200	Steel	Antique Copper	10
BRP225AC	Tube Dia (20mm)	225	Steel	Antique Copper	10
BRP250AC	Tube Dia (20mm)	250	Steel	Antique Copper	10
BRP300AC	Tube Dia (20mm)	300	Steel	Antique Copper	10
BRP150MB	Tube Dia (20mm)	150	Steel	Matt Black	10
BRP200MB	Tube Dia (20mm)	200	Steel	Matt Black	10
BRP225MB	Tube Dia (20mm)	225	Steel	Matt Black	10
BRP250MB	Tube Dia (20mm)	250	Steel	Matt Black	10
BRP300MB	Tube Dia (20mm)	300	Steel	Matt Black	10



# Safety Rails

Our collection of safety rail and bathroom accessories provide ideal solutions for domestic and commercial bathrooms. All our products are available in both retail and loose packaging.

## Grab Rails: Bulk Packs

### Standard Safety Rails



Code	Product Details	Product Details 2	Diameter (mm)	Length (mm)	Wall Clearance (mm)	Finish	Pack/Box Quantity
G400BC	Loose	Stainless Steel	25	228	70	Mirror Polished	1
G401BC	Loose	Stainless Steel	25	305	70	Mirror Polished	1
G401RC	Loose	Stainless Steel	35	305	85	Mirror Polished	1
G403BC	Loose	Stainless Steel	25	457	70	Mirror Polished	1
G404BC	Loose	Stainless Steel	25	610	70	Mirror Polished	1
G470FC	Loose	Stainless Steel	32	305	70	Mirror Polished	1
G400BW	Loose		25	228	70	Matt White	1
G401BW	Loose		25	305	70	Matt White	1
G401RW	Loose		32	305	85	Matt White	1
G403BW	Loose		25	457	70	Matt White	1
G403RW	Loose		32	457	85	Matt White	1
G404BW	Loose		25	610	70	Matt White	1

### Utility Steel Safety Rails



Code	Product Details	Product Details 2	Diameter (mm)	Length (mm)	Wall Clearance (mm)	Finish	Pack/Box Quantity
G411BW	Loose		25	305	50	Matt White	1
G412BW	Loose		25	457	50	Matt White	1

### Hinged Safety Rails



Code	Product Details	Product Details 2	Diameter (mm)	Length (mm)	Wall Clearance (mm)	Finish	Pack/Box Quantity
G430RW	Self locking when open	Loose	35	750	N/A	Matt White	1

### ABS Plastic Safety Rails



Code	Product Details	Product Details 2	Diameter (mm)	Length (mm)	Wall Clearance (mm)	Finish	Pack/Box Quantity
G480RW	Concealed Fixings	Loose	35	305	50	Matt White	1
G481RW	Concealed Fixings	Loose	35	457	50	Matt White	1
G482RW	Concealed Fixings	Loose	35	610	50	Matt White	1

## Grab Rails: Retail

### Standard Safety Rails



Code	Product Details	Product Details 2	Diameter (mm)	Length (mm)	Wall Clearance (mm)	Finish	Pack/Box Quantity
J400BC	Loose	Stainless Steel	25	228	70	Mirror Polished	1
J401BC	Loose	Stainless Steel	25	305	70	Mirror Polished	1
J403BC	Loose	Stainless Steel	25	457	70	Mirror Polished	1
J404BC	Loose	Stainless Steel	25	610	70	Mirror Polished	1
J400BW	Loose	Steel	25	228	70	Matt White	1
J401BW	Loose	Steel	25	305	70	Matt White	1
J403BW	Loose	Steel	25	457	70	Matt White	1
J404BW	Loose	Steel	25	610	70	Matt White	1

Mirror Polished

### Steel Safety Rails



Code	Product Details	Product Details 2	Diameter (mm)	Length (mm)	Wall Clearance (mm)	Finish	Pack/Box Quantity
J401BMB	Loose	BAROQUE	25	305	70	Matt Black	1
J402BMB	Loose	BAROQUE	25	457	70	Matt Black	1
J401BMW	Loose	BAROQUE	25	305	70	Matt White	1
J402BMW	Loose	BAROQUE	25	457	70	Matt White	1
J401BPT	Loose	BAROQUE	25	305	70	Pewter	1
J402BPT	Loose	BAROQUE	25	457	70	Pewter	1

## Grab Rails: Retail

### Stainless Steel Safety Rails

Code	Product Details	Product Details 2	Diameter (mm)	Length (mm)	Wall Clearance (mm)	Finish	Pack/Box Quantity
J401BAB		BAROQUE	25	305	70	Antique Brass	1
J402BAB		BAROQUE	25	457	70	Antique Brass	1
J401BAC		BAROQUE	25	305	70	Antique Copper	1
J402BAC		BAROQUE	25	457	70	Antique Copper	1
J401BGM		BAROQUE	25	305	70	Gun Metal	1
J402BGM		BAROQUE	25	457	70	Gun Metal	1
J401BPC		BAROQUE	25	305	70	Polished Copper	1
J402BPC		BAROQUE	25	457	70	Polished Copper	1



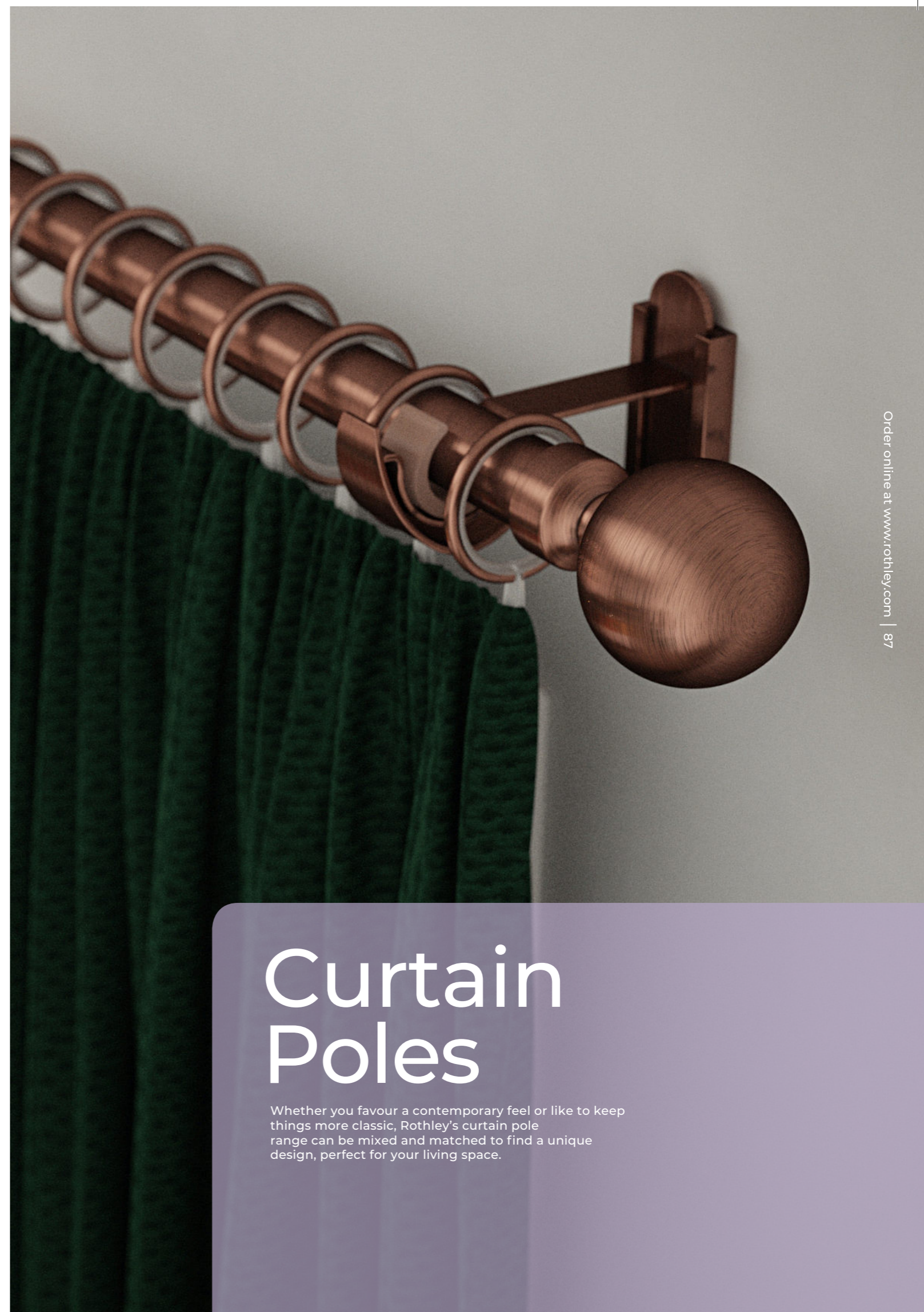
### ABS Plastic Safety Rails

Code	Product Details	Product Details 2	Diameter (mm)	Length (mm)	Wall Clearance (mm)	Finish	Pack/Box Quantity
J480RW	Concealed Fixings	Loose	35	305	50	Matt White	1
J481RW	Concealed Fixings	Loose	35	457	50	Matt White	1
J482RW	Concealed Fixings	Loose	35	610	50	Matt White	1



### Stainless Steel Curled / Knurled Grab Rails

Code	Product Details	Product Details 2	Diameter (mm)	Length (mm)	Wall Clearance (mm)	Finish	Pack/Box Quantity
J435FSM	Concealed Fixings	Curled	32	305	70	Polished	1
J436FSM	Concealed Fixings	Curled	32	457	70	Polished	1
J441FSM	Concealed Fixings	Knurled	32	305	70	Polished	1
J442FSM	Concealed Fixings	Knurled	32	457	70	Polished	1



# Curtain Poles

Whether you favour a contemporary feel or like to keep things more classic, Rothley's curtain pole range can be mixed and matched to find a unique design, perfect for your living space.

## Curtain Poles



## Extendable Curtain Poles (165 to 300cm)

Code	Product Details	Product Details 2	Diameter (mm)	Length (cm)	Depth (mm)	Finish	Pack/Box Quantity
CELACSOAC	Kit	Orb Finials	25 / 28	165-300	100	Antique Copper	1
CELBSSFBS	Kit	Stud Finials	25 / 28	165-300	100	Brushed Stainless Effect	1
CELBSSOBS	Kit	Orb Finials	25 / 28	165-300	100	Brushed Stainless Effect	1
CELGMSFGM	Kit	Stud Finials	25 / 28	165-300	100	Gunmetal	1
CELGMSOGM	Kit	Orb Finials	25 / 28	165-300	100	Gunmetal	1
CELMBSFBS	Kit	Stud Finials	25 / 28	165-300	100	Matt Black/ Brushed Stainless Effect	1
CELMBSFMB	Kit	Stud Finials	25 / 28	165-300	100	Matt Black	1
CELMBSOMB	Kit	Orb Finials	25 / 28	165-300	100	Matt Black	1
CELMWSFMW	Kit	Stud Finials	25 / 28	165-300	100	Matt White	1
CELMWSOMW	Kit	Orb Finials	25 / 28	165-300	100	Matt White	1



## Extendable Curtain Poles (125 to 216cm)

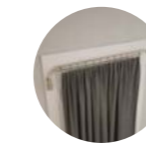
Code	Product Details	Product Details 2	Diameter (mm)	Length (cm)	Depth (mm)	Finish	Pack/Box Quantity
CEMACSOAC	Kit	Orb Finials	25 / 28	125-216	100	Antique Copper	1
CEMBSSFBS	Kit	Stud Finials	25 / 28	125-216	100	Brushed Stainless Effect	1
CEMBSSOBS	Kit	Orb Finials	25 / 28	125-216	100	Brushed Stainless Effect	1
CEMGMSFGM	Kit	Stud Finials	25 / 28	125-216	100	Gunmetal	1
CEMGMSOGM	Kit	Orb Finials	25 / 28	125-216	100	Gunmetal	1
CEMMBSFBS	Kit	Stud Finials	25 / 28	125-216	100	Matt Black/ Brushed Stainless Effect	1
CEMMBSFMB	Kit	Stud Finials	25 / 28	125-216	100	Matt Black	1
CEMMBSOMB	Kit	Orb Finials	25 / 28	125-216	100	Matt Black	1
CEMMWSFMW	Kit	Stud Finials	25 / 28	125-216	100	Matt White	1
CEMMWSOMW	Kit	Orb Finials	25 / 28	125-216	100	Matt White	1

## Curtain Poles



## Extendable Curtain Poles (71 to 120cm)

Code	Product Details	Product Details 2	Diameter (mm)	Length (cm)	Depth (mm)	Finish	Pack/Box Quantity
CESACSOAC	Kit	Orb Finials	25 / 28	71-120	100	Antique Copper	1
CESBSSFBS	Kit	Stud Finials	25 / 28	71-120	100	Brushed Stainless Effect	1
CESBSSOBS	Kit	Orb Finials	25 / 28	71-120	100	Brushed Stainless Effect	1
CESGMSFGM	Kit	Stud Finials	25 / 28	71-120	100	Gunmetal	1
CESGMSOGM	Kit	Orb Finials	25 / 28	71-120	100	Gunmetal	1
CESMBSFBS	Kit	Stud Finials	25 / 28	71-120	100	Matt Black/ Brushed Stainless Effect	1
CESMBSFMB	Kit	Stud Finials	25 / 28	71-120	100	Matt Black	1
CESMBSOMB	Kit	Orb Finials	25 / 28	71-120	100	Matt Black	1
CESMWSFMW	Kit	Stud Finials	25 / 28	71-120	100	Matt White	1
CESMWSOMW	Kit	Orb Finials	25 / 28	71-120	100	Matt White	1



## Door Curtain Poles

Code	Product Details	Product Details 2	Diameter (mm)	Length (mm)	Depth (mm)	Finish	Pack/Box Quantity
CDOORAB	Kit	Orb Finials	38	1045		Antique Brass	1
CDOORBS	Kit	Orb Finials	38	1045		Brushed Stainless Effect	1
CDOORMB	Kit	Orb Finials	38	1045		Matt Black	1



## Klick-Fit® Bracket

Code	Product Details	Product Details 2	Width (mm)	Height (mm)	Depth (mm)	Finish	Pack/Box Quantity
C160BAB	Bracket	Concealed Fixings	35	115	120	Antique Brass	1
C160BAC	Bracket	Concealed Fixings	35	115	120	Antique Copper	1
C160BSM	Bracket	Concealed Fixings	35	115	120	Polished Silver	1
C160BSB	Bracket	Concealed Fixings	35	115	120	Brushed Stainless Effect	1
C160BV	Bracket	Concealed Fixings	35	115	120	Matt Black	1

Suitable for 25-28mm Rails\*

## Curtain Pole Accessories



## Curtain Rings

Code	Product Details	Product Details 2	Inner Diameter (mm)	Outer Diameter (mm)	Finish	Pack/Box Quantity
CRINGAB	Rings		40	50	Antique Brass	1
CRINGAC	Rings		40	50	Antique Copper	1
CRINGBS	Rings	For Brushed & Polished Rails	40	50	Brushed Stainless Effect	1
CRINGGM	Rings		40	50	Gunmetal	1
CRINGMB	Rings		40	50	Matt Black	1
CRINGMW	Rings		40	50	Matt White	1

Suitable for 25-28mm Rails\*

Note: Packing May Vary\*



## Bay Window Adjustable Bracket

Code	Product Details	Product Details 2	Diameter (mm)	Length (mm)	Finish	Pack/Box Quantity
C150BAB	Adjustable		25	75	Antique Brass	1
C150BAC	Adjustable		25	75	Antique Copper	1
C150BN	Adjustable		25	75	Brushed Stainless Effect	1
C150BV	Adjustable		25	75	Matt Black	1
C150BK	Adjustable		25	75	Polished Silver	1

Suitable for 25mm Rails\*



## Push Fit Bracket

Code	Product Details	Product Details 2	Width (mm)	Height (mm)	Depth (mm)	Finish	Pack/Box Quantity
C158BAB	Bracket		35	115	120	Antique Brass	1
C158BAC	Bracket		35	115	120	Antique Copper	1
C158BSB	Bracket		35	115	120	Brushed Stainless Effect	1
C158BV	Bracket		35	115	120	Matt Black	1
C158BSM	Bracket		35	115	120	Polished Silver	1

Suitable for 25-28mm Rails\*

## Pole Connector (Extended)



Code	Product Details	Product Details 2	O Diameter (mm)	Finish	Pack/Box Quantity
C159BK	Extend 25mm Poles	Fits Internal	25mm	N/A	1

Suitable for 25mm Rails\*

## Curtain Pole Accessories



## Solid Orb Finials

Code	Product Details	Product Details 2	Length (mm)	Depth (mm)	Finish	Pack/Box Quantity
CB152BAB	Push Fit		85	55	Antique Brass	2
CB152BAC	Push Fit		85	55	Antique Copper	2
CB152BN	Push Fit		85	55	Brushed Stainless Effect	2
CB152BV	Push Fit		85	55	Matt Black	2
CB152BK	Push Fit		85	55	Polished Silver	2

Suitable for 25mm Rails\*



## Pattern Orb Finials

Code	Product Details	Product Details 2	Length (mm)	Depth (mm)	Finish	Pack/Box Quantity
CB153BAB	Push Fit		85	55	Antique Brass	2
CB153BAC	Push Fit		85	55	Antique Copper	2
CB153BN	Push Fit		85	55	Brushed Stainless Effect	2
CB153BV	Push Fit		85	55	Matt Black	2
CB153BK	Push Fit		85	55	Polished Silver	2

Suitable for 25mm Rails\*



## Cage Orb Finials

Code	Product Details	Product Details 2	Length (mm)	Depth (mm)	Finish	Pack/Box Quantity
CB154BAB	Push Fit		85	55	Antique Brass	2
CB154BAC	Push Fit		85	55	Antique Copper	2
CB154BN	Push Fit		85	55	Brushed Stainless Effect	2
CB154BV	Push Fit		85	55	Matt Black	2
CB154BK	Push Fit		85	55	Polished Silver	2

Suitable for 25mm Rails\*



## Resin/Crystal Finials

Code	Product Details	Product Details 2	Length (mm)	Depth (mm)	Finish	Pack/Box Quantity
C155BX	Push Fit	Resin Cube	85	55	Antique Brass	1
C156BAC	Push Fit	Crystal Orb	85	55	Antique Brass	1

Suitable for 25mm Rails\*