



# Owner's Manual

**7.5 CU. FT 2 DOOR REFRIGERATOR / FREEZER**

**RMF-212 SERIES**



**RS International. Canada Inc.**

Because our products are subject to continuous improvement, RS International Canada Inc. reserves the right to modify product design and specifications without notice and without incurring any obligation. E&OE

**Please read and retain these instructions**

**[www.royalsovereign.ca](http://www.royalsovereign.ca)**

## SAFETY INSTRUCTIONS

IMPORTANT SAFETY INSTRUCTIONS .....	3
PARTS .....	4
INSTALLATION INSTRUCTIONS .....	5-6
OPERATING INSTRUCTIONS .....	7-9
<ul style="list-style-type: none"> <li>• BEFORE USING YOUR REFRIGERATOR</li> <li>• INSTALLING YOUR REFRIGERATOR ELECTRICAL CONNECTION.</li> <li>• DOOR ALIGNMENT TEMPERATURE CONTROL ICE TRAY</li> <li>• THE FREEZER COMPARTMENT WHEN TO DEFROST</li> <li>• HOW TO DEFROST</li> <li>• HOW TO CHANGE THE INTERIOR LIGHT MAINTENANCE</li> <li>• CLEANING YOUR REFRIGERATOR VACATION TIME</li> <li>• MOVING YOUR REFRIGERATOR ENERGY SAVING TIPS</li> <li>• TROUBLESHOOTING GUIDE</li> </ul>	
SPECIFICATIONS .....	10
WARRANTY .....	11
PAGE EN FRANÇAIS .....	13-21

## IMPORTANT SAFETY INSTRUCTIONS

**⚠ TO REDUCE THE RISK OF FIRE, ELECTRICAL SHOCK, OR INJURY WHEN USING YOUR REFRIGERATOR, FOLLOW THESE BASIC PRECAUTIONS:**

Read all instructions before using the refrigerator.

**DANGER or WARNING:**

Never clean refrigerator parts with flammable fluids. The fumes can create a fire hazard or explosion. Do not store or use gasoline or any other flammable vapors and liquids in the vicinity of this or any other refrigerator. The fumes can create a fire hazard or an explosion.

- Save these instructions -

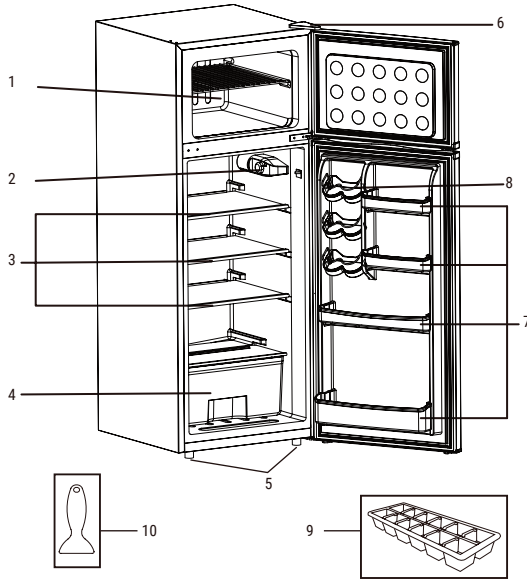
**⚠ Warning:** To reduce the risk of fire, electrical shock, or injury follow these basic precautions when using your refrigerator.

1. Use this refrigerator only for its intended purpose as described in this use and care guide.
2. This refrigerator must be properly installed in accordance with the installation instructions before it is used. See grounding instructions in the installation section.
3. Never unplug your refrigerator by pulling on the power cord. Always grasp the plug firmly and pull straight out from the outlet.

## IMPORTANT SAFETY INSTRUCTIONS

4. Repair or replace immediately, all electric service cords that have become frayed or otherwise damaged. Do not use a cord that shows cracks or abrasion damage along its length, the plug or the connector end.
5. Unplug your refrigerator before cleaning or before making any repairs.  
**NOTE:** If for any reason this product requires service, we strongly recommend that a certified technician performs the service.
6. Do not use any electrical device or any sharp instrument in defrosting your refrigerator.
7. If your old refrigerator is not being used, we recommend that you remove the doors and leave the shelves in place. This will reduce the possibility of danger to children.
8. After your refrigerator is in operation, do not touch the cold surfaces in the freezer compartment, particularly when hands are damp or wet. Skin may adhere to these extremely cold surfaces.
9. Do not refreeze foods that have been thawed completely.
10. This refrigerator should not be recessed or built-in in an enclosed cabinet. It is designed for freestanding installation only.
11. Do not operate your refrigerator in the presence of explosive fumes
12. Do not use mechanical devices or other means to accelerate the defrosting process, other than those recommended by the manufacturer.
13. Do not use electrical appliances inside the food storage compartments of the appliance, unless they are of the type recommended by the manufacturer.
14. Never allow children to play with, operate, or crawl inside the refrigerator. Before you throw away your old refrigerator or freezer:
  - Take off the doors.
  - Leave the shelves in place so that children may not easily climb inside.
15. The appliance has to be unplugged before carrying out user maintenance on the appliance.
16. This appliance can be used by children age 8 years and above and persons with reduced physical sensory or mental capabilities or lack of experience and knowledge if they have been given supervision or instruction concerning use of the appliance in a safe way and understand the hazards involved. Children should not play with the appliance. Cleaning and maintenance should not be made by children without supervision.
17. If any component part is damaged, it must be replaced by the manufacturer or qualified persons in order to avoid a hazard.
18. Please dispose the refrigerator according to local government regulations as the unit contains flammable gas and refrigerant. All refrigeration products contain refrigerants, which under the guidelines of federal, provincial or municipal law, must be removed before disposal. It is the owners responsibility to comply with regulations when disposing of this product.
19. This appliance is intended to be used in household and similar environments.
20. Do not store or use gasoline or any inflammable liquors and liquids inside or in the vicinity of refrigerator.
21. Do not use an extension cord with this appliance. If the power cord is too short, have a qualified electrician install an outlet near the appliance. Use of an extension can negatively affect the unit's performance.

## PARTS



1. Freezer Compartment
2. Temperature Control (with integrated Interior light assembly)
3. Shelves
4. Fruit and Vegetable Crisper
5. Leveling Legs
6. Top
7. Door Shelves
8. Can holders
9. Ice Cube Tray
10. Ice Scrape

**WARNING:** Never touch the interior of the Freezer Chamber or frozen foods in the compartment with wet hands as this could result in frost bite.

## INSTALLATION INSTRUCTIONS

### BEFORE USING YOUR REFRIGERATOR

- Remove the exterior and interior packing.
- Before connecting the refrigerator to the power source, let the unit stand upright for approximately 4 hours. This will reduce the possibility of a malfunction in the cooling system from possible improper handling during transportation.
- Clean the interior surface with lukewarm water using a soft cloth. (Refer to Cleaning Instruction Section)

### INSTALLING YOUR REFRIGERATOR

- This appliance is designed to be free standing only, and should not be recessed or built-in.
- Place your refrigerator on a floor that is strong enough to support the refrigerator when it is fully loaded.
- Allow 5" (13cm) of space between each side of the refrigerator. This allows for proper air ventilation. Adjust the feet to keep the refrigerator level.
- Locate the refrigerator away from direct sunlight and sources of heat (stove, heater, radiator, etc.). Direct sunlight may affect the acrylic coating and heat sources may increase electrical consumption. Ambient temperature below 10°C (50°F) or above 29°C (85°F) will hinder the performance of this appliance.
- This unit is not designed for use in a garage or any other outside installation.
- Avoid locating the refrigerator in damp areas.
- Plug the refrigerator into dedicated, properly installed-grounded wall outlet. Do not under any circumstances cut or remove the third (ground) prong from the power cord. Any questions concerning power and/or grounding should be directed toward a certified electrician or an authorized service center. This unit is not designed to be installed in an RV or used with an inverter.
- After plugging the appliance into a wall outlet, turn the unit on and allow the unit to cool down for 2~3 hours under before placing food in the refrigerator or freezer compartment.

**WARNING:** Improper use of the grounded plug can result in the risk of electrical shock. If the power cord is damaged, have it replaced by a certified electrician.

- This refrigerator should be properly grounded for your safety. The power cord of this refrigerator is equipped with a three-prong plug which matches with standard three prong wall outlets to minimize the possibility of electrical shock.
- Do not, under any circumstances, cut or remove the third ground prong from the power cord supplied.
- This refrigerator requires a standard 115 Volt A.C. ~/60Hz electrical outlet with three-prong ground.
- This refrigerator is not designed to be used with an inverter.
- The cord should be secured behind the refrigerator and not left exposed or dangling to prevent accidental injury.
- Never unplug the refrigerator by pulling the power cord. Always grip the plug firmly and pull straight out from the receptacle.
- Do not use an extension cord with this appliance. If the power cord is too short, have a qualified electrician or service technician install an outlet near the appliance. Use of an extension cord can negatively affect the performance of the unit.

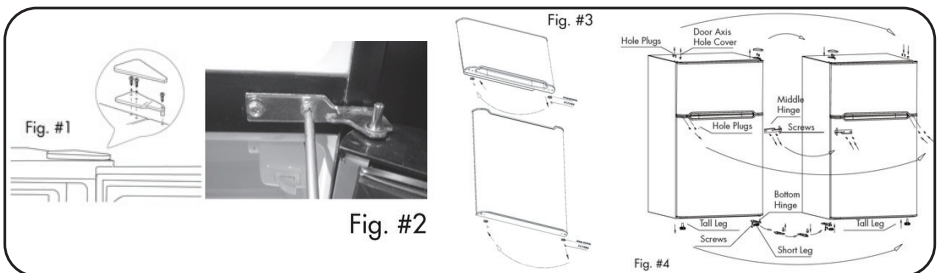
## DOOR ALIGNMENT

Reversing Freezer Door: (see fig. #1)

1. Remove the top hinge cover.
2. Loosen the top hinge screws (Phillips screwdriver required)
3. Adjust the door or put a spacer in between and then tighten the screws.
4. Replace the top hinge cover.

Reversing the Door (See Fig. #4)

1. Remove the top hinge cover. (See Fig. #1)
2. Using a Phillips screwdriver, loosen and remove the screws holding the top hinge in place.
3. Remove top hinge and carefully lift off the freezer door.
4. Remove the screw hole plugs from the opposite side and insert the plugs in the screw hole openings of the just removed screws.
5. Open refrigerator door and unscrew 2 screws from the center hinge bracket while holding the open door in place. (See Fig. #2)
6. Remove bracket and lift off refrigerator door
7. While doors are removed unscrew the door stoppers and reinsert on opposite side of door. (See Fig. #3)
8. Remove the screw hole plugs from the opposite side and insert the plugs in the screw hole openings of the just removed screws.
9. Remove any loose items in the refrigerator and carefully tilt refrigerator and lean against wall. Remove both leveling legs and place in a secure area.
10. Loosen the screws holding the lower hinge bracket to the refrigerator door and remove screws and bracket. Remove leveling leg.
11. Remove screws from the other side and insert in the previously removed screw holes. Remove leveling leg.
12. Remove door pin by turning counter-clockwise and reinsert to the underside of the bracket and tighten.
13. Align bracket and insert (2) remaining screws into the holes provided. Tighten all the way. Replace leveling legs and place refrigerator in upright position.
14. Replace washers and cap over pin. Align hole in the refrigerator door with the door pin and gently push down until firm.
15. Insert pin from center hinge bracket into refrigerator door hole and align center hinge bracket holes to the screw holes in the cabinet.
16. Insert 2 screws and tighten.
17. Place washers on the center hinge bracket pin and align the freezer door holes and insert into pin.
18. Replace screws on the top hinge cover, align door and tighten screws.
19. Replace top hinge cover.



## OPERATING INSTRUCTIONS

### TEMPERATURE CONTROL

Your refrigerator has a thermostat for regulating the temperature. The temperature control is located on the top center of the refrigerator compartment.

The first time you turn the unit on, adjust the temperature control knob to "7" and run the refrigerator for at least 2 hours before placing food inside. This will help ensure the inside cabinet is thoroughly chilled.

The range of the refrigerator temperature control is from position "1" to "7", with "7" being the coldest setting. Adjust the temperature control to the setting that best suits your needs.

**Note:** The setting of "4" should be appropriate for most home or office use.

**Note:** Turning the temperature control knob to "O" position stops the cooling cycle but it does not shut off the power to the unit.

**Note:** If the unit is unplugged or loses power, you must wait 3 to 5 minutes before restarting the unit. If you attempt to restart before this time delay, the refrigerator will not start.

**Note:** Large amounts of food will lower the cooling efficiency of the appliance. Do not place item on the air outlet. Always leave space for airflow.

If you choose to change the thermostat setting, adjust the thermostat control by one increment at a time. Allow several hours for temperature to stabilize between adjustments.

### ICE TRAY

Recommended temperature control setting for ice making is "7".

Fill the ice cube tray at 2/3 capacity using cold water and place the tray on the bottom of the chiller compartment to freeze properly.

To remove the ice cubes from the tray, place over an ice bucket and twist slightly.

Re-set the temperature control to setting "4".



### THE FREEZER COMPARTMENT

This compartment is designed for the long-term storage of frozen food.

The storage life of frozen foods varies, and the recommended storage time of frozen food should not be exceeded.

Place frozen food into the freezer as quickly as possible after purchase. If there are instructions on the packet, carefully follow these instructions regarding storage times.

### WHEN TO DEFROST

In order to prevent damage to the interior liner of the unit from excessive frost build-up, please manually defrost the unit every 3 months or when ice / frost is approximately 1/4" thick inside the freezer compartment.

## HOW TO DEFROST

Defrost the freezer compartment when the ice or frost are approximately  $\frac{1}{4}$ " thick or about every 3 months, whichever comes first. Set the thermostat dial to "0" to defrost. Remove all contents from the freezer compartment. Leave the freezer door open to allow any accumulated ice/ frost to melt. Remove large pieces of ice as needed. Do not use hot water or other electric heating devices to melt the accumulated ice. After defrosting, remove accumulated ice/ water and wipe the freezer compartment dry with a soft cloth. In the event that the ice is not visibly present in the freezer compartment, please allow the evaporator located behind the freezer wall to completely defrost for approximately 2 hours before restarting the unit. Restart the unit per starting instructions.

## HOW TO CHANGE THE INTERIOR LIGHT

**NOTE:** All parts removed must be saved to do the reinstallation of the light bulb. Before removing the light bulb, unplug the appliance from the power supply. Failure to do so could result in electrical shock or personal injury.

1. Remove the lamp cover
2. Unscrew the old bulb and install the new bulb
3. Re-install the lamp cover

# MAINTENANCE

## CLEANING YOUR REFRIGERATOR

- Upon installation of your new appliance, it is recommended that it be cleaned thoroughly. Turn off the refrigerator first and then unplug the unit from the wall outlet.
- Remove all food content.
- Wash the inside with a damp warm cloth soaked in lukewarm water and baking soda solution. The solution should be about 2 tablespoons of baking soda to about 1 litre of water.
- Be sure to keep the door gasket (seal) clean to keep the unit running efficiently.
- The outside of the refrigerator should be cleaned with mild detergent and warm water.
- Dry the interior and exterior with a soft cloth.

## VACATION

- Turn off the refrigerator first and then unplug the unit from the wall outlet. Remove all the food.
- Clean the refrigerator.
- Leave the door open slightly to avoid possible formation of condensation, mold, or odor.
- Use extreme caution in the case of children. The unit should not be accessible to children playing.
- Short vacations: Leave the refrigerator operating during vacations of less than three weeks.
- Long vacations: If the appliance will not be used for several months, remove all food and unplug the power cord. Clean and dry the interior thoroughly. To prevent odor and mold growth, leave the door open slightly: blocking it open if necessary or have the door removed.



## MOVING YOUR REFRIGERATOR

- Turn off the refrigerator first and then unplug the unit from the wall outlet. Remove all the food.
- Securely tape down all loose items inside your refrigerator. Tape the door shut.
- Be sure the refrigerator stays in the upright position during transportation.

## ENERGY SAVING TIPS

- The refrigerator should be located in the coolest area of the room, away from heat producing appliances or heating ducts, and out of the direct sunlight.
- Let hot foods cool to room temperature before placing it in the refrigerator. Overloading the refrigerator forces the compressor to run longer. Foods that freeze too slowly may lose taste or spoil.
- Be sure to wrap foods properly, and wipe containers dry before placing them in the refrigerator. This cuts down on frost build-up inside the refrigerator.
- Organize and label food to reduce door openings and extended searches. Remove as many items as needed at one time, and close the door as soon as possible.

## TROUBLESHOOTING GUIDE

You can solve many common refrigerator problems easily, saving you the cost of a possible service call. Try the suggestions below to see if you can solve the problem before calling Royal Sovereign customer service.

PROBLEM	POSSIBLE CAUSE
Refrigerator does not operate.	Not plugged in. The circuit breaker tripped or a blown fuse.
Compressor turns on and off frequently.	The room temperature is hotter than normal. A large amount of food has been added to the refrigerator. The door is opened too often. The door is not closed completely. The temperature control is not set correctly. The door gasket does not seal properly. The refrigerator does not have the correct clearances. The refrigerator has recently been disconnected for a period of time. 4 hours are required for the refrigerator to cool down completely.
Temperature inside the refrigerator is too warm.	Temperature control is set too warm. Turn the control to a cooler setting and allow several hours for the temperature to stabilize. Door is kept open too long or is opened too frequently. Warm air enters the refrigerator every time the door is opened. Open the door less often. The door is not closed completely. The door gasket does not seal properly. A large amount of warm or hot food might have been stored recently. Wait until the refrigerator has had a chance to reach its selected temperature. The refrigerator has recently been disconnected for a period of time. 4 hours are required for the refrigerator to cool down completely.
Temperature inside the refrigerator is too cold.	Temperature control is set too cold. Turn the control to a warmer setting and allow several hours for the temperature to stabilize.
Temperature of external refrigerator surface is warm.	The exterior refrigerator walls can be as much as 30°F warmer than room temperature. This is normal while the compressor works to transfer heat from inside the refrigerator cabinet.
Popping or cracking sound when compressor comes on.	Metal parts undergo expansion and contraction, as in hot water pipes. This is normal. Sound will level off or disappear as refrigerator continues to run.
Bubbling or gurgling sound, like water boiling.	Refrigerant is circulating throughout the system. This is normal.
Vibrations.	Check to assure that the refrigerator is on a level surface. Floor is uneven or weak. Refrigerator rocks on the floor when it is moved slightly. Be sure floor can adequately support refrigerator. Level the refrigerator by putting wood or metal shims under part of the refrigerator. The refrigerator is touching the wall. Level the refrigerator and move it from the wall. See "Installation Instructions"
Moisture forms on inside refrigerator walls.	Weather is hot and humid, which increases internal rate of frost build-up. This is normal. Door is slightly open. Door is kept open too long, or is opened too frequently. Open the door less often. The door is not sealed properly.
Moisture forms on outside of refrigerator.	Door is slightly open, causing cold air from inside the refrigerator to meet warm moist air from outside.
The door will not close properly.	The refrigerator is not on a level surface. The gasket is dirty.

# RMF-212 SERIES

## SPECIFICATIONS

<b>Total Capacity</b>	7.5 cu. Ft
<b>Capacity Refrigerator</b>	5.9 cu. Ft
<b>Capacity Freezer</b>	1.6 cu.ft
<b>Adjustable Thermostat</b>	0-10°C
<b>Freezer Thermostat</b>	-22 --14°C
<b>Electrical Rating</b>	120V/60Hz
<b>Refrigerant</b>	R600a
<b>Energy Consumption</b>	348kwh
<b>Unit Dimensions</b>	21.6" x 22.2" x 55.7" (540 x 565 x 1415mm)
<b>Unit Weight</b>	91.3 lbs (41.5kg)
<b>Approval</b>	cETL

## LIMITED 18 MONTH WARRANTY

RS International Canada Inc. "(Royal Sovereign)" warrants each fan to be free from defects in material and workmanship. Our obligation under this warranty is limited to the repair or replacement, free of charge, when delivered to an authorized Royal Sovereign service center, of any defective part(s) thereof, other than parts damaged in transit. This warranty is in effect to the original purchaser, for a period of one year from the date of purchase and is not transferable. This warranty shall apply only if the fan is used in accordance with the factory provided instructions which accompany it.

Exclusions This warranty excludes and does not cover defects, malfunctions or failures of your **Royal Sovereign** Fan, caused by repairs by unauthorized persons or service centers, mishandling, improper installation, modification or unreasonable use including incorrect voltage, acts of God, or failure to provide reasonable and necessary maintenance. This warranty is in lieu of any and all expressed warranties. In no event shall **Royal Sovereign** be liable for consequential or incidental damages. This limitation would not apply if you live in a location that does not permit the exclusion of limitation of incidental or consequential damages.

For product support and warranty questions, please visit us at [www.royalsovereign.ca/pages/contacts](http://www.royalsovereign.ca/pages/contacts)

**RS INTERNATIONAL CANADA INC.**  
191 Superior Blvd., Mississauga,  
ON L5T 2L6 CANADA  
TEL : +1) 866-961-6673  
[www.royalsovereign.ca](http://www.royalsovereign.ca)



# GUIDE D'UTILISATION

RÉFRIGÉRATEUR/CONGÉLATEUR 2 PORTES DE 7,5 PI. CU.

SÉRIE RMF-212



**RS International. Canada Inc.**

Parce que nos produits font l'objet d'améliorations constantes, RS International Canada Inc. se réserve le droit de modifier la conception et les spécifications des produits sans préavis et sans encourir d'obligation. E&OE

**Veillez lire et conserver ces instructions**

[www.royalsovereign.ca](http://www.royalsovereign.ca)

## TABLE DES MATIÈRES

INSTRUCTIONS DE SÉCURITÉ IMPORTANTES .....	13
PIÈCES .....	14
INSTRUCTIONS D'INSTALLATION .....	15-16
INSTRUCTIONS DE FONCTIONNEMENT.....	17-19
• AVANT D'UTILISER VOTRE RÉFRIGÉRATEUR.	
• INSTALLATION DE VOTRE RÉFRIGÉRATEUR .	
• ALIGNEMENT DE LA PORTE INVERSION DE LA PORTE.	
• INSTRUCTIONS DE FONCTIONNEMENT CONTRÔLE DE LA TEMPÉRATURE BAC À GLACE	
• LE COMPARTIMENT CONGÉLATEUR QUAND PROCÉDER AU DÉ GIVRAGE COMMENT DÉGIVRER.	
• COMMENT CHANGER L'AMPOULE INTÉRIEURE.	
• ENRETIEN NETTOYAGE DE VOTRE RÉFRIGÉRATEUR VACANCES	
• DÉMÉNAGEMENT DE VOTRE RÉFRIGÉRATEUR CONSEILS D'ÉCONOMIE D'ÉNERGIE GUIDE DE DÉPANNAGE.	
SPÉCIFICATIONS .....	20
GARANTIE .....	21
PAGES EN ANGLAIS .....	1-12

## INSTRUCTIONS DE SÉCURITÉ IMPORTANTES

**⚠ POUR RÉDUIRE LES RISQUES D'INCENDIE, D'ÉLECTROCUTION OU DE BLESSURE LORS DE L'UTILISATION DE VOTRE RÉFRIGÉRATEUR, SUIVEZ CES PRÉCAUTIONS DE BASE : LISEZ TOUTES LES INSTRUCTIONS AVANT D'UTILISER LE RÉFRIGÉRATEUR.**

### **DANGER ou AVERTISSEMENT :**

Ne nettoyez jamais les pièces du réfrigérateur avec des liquides inflammables. Les vapeurs peuvent créer un risque d'incendie ou d'explosion. N'entrez pas et n'utilisez pas d'essence ou d'autres vapeurs et liquides inflammables à proximité de ce réfrigérateur ou de tout autre réfrigérateur. Les vapeurs peuvent créer un risque d'incendie ou d'explosion.

**- Conservez des instructions -**

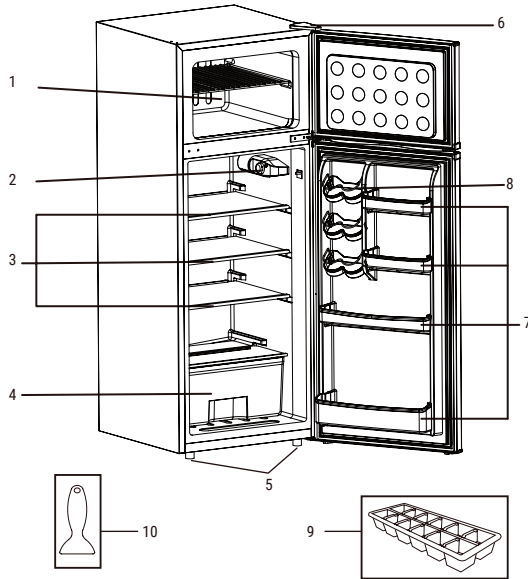
**⚠ Avertissement :** Pour réduire les risques d'incendie, d'électrocution ou de blessure, suivez ces précautions de base lors de l'utilisation de votre réfrigérateur.

1. N'utilisez ce réfrigérateur que pour l'usage auquel il est destiné, tel que décrit dans ce guide d'utilisation et d'entretien.
2. Ce réfrigérateur doit être correctement installé conformément aux instructions d'installation avant d'être utilisé. Voir les instructions de mise à la terre dans la section relative à l'installation.

## INSTRUCTIONS DE SÉCURITÉ IMPORTANTES

3. Ne débranchez jamais votre réfrigérateur en tirant sur le cordon d'alimentation. Saisissez toujours fermement la fiche et retirez-la directement de la prise de courant.
4. Réparez ou remplacez immédiatement tous les cordons d'alimentation électrique qui se sont effilochés ou qui sont endommagés. N'utilisez pas un cordon qui présente des fissures ou des dommages dus à l'abrasion sur sa longueur, sur la fiche ou sur l'extrémité du connecteur.
5. Débranchez votre réfrigérateur avant de le nettoyer ou d'effectuer des réparations.  
**REMARQUE** : Si, pour une raison quelconque, ce produit doit être réparé, nous recommandons vivement qu'un technicien agréé s'en charge.
6. N'utilisez pas d'appareil électrique ou d'instrument tranchant pour dégivrer votre réfrigérateur.
7. Si vous n'utilisez pas votre ancien réfrigérateur, nous vous recommandons de retirer les portes et de laisser les étagères en place. Cela réduira le risque de danger pour les enfants.
8. Lorsque votre réfrigérateur fonctionne, ne touchez pas les surfaces froides du compartiment congélateur, surtout si vos mains sont humides ou mouillées. La peau peut adhérer à ces surfaces extrêmement froides.
9. Do not refreeze foods that have been thawed completely.
10. Ce réfrigérateur ne doit pas être encastré dans un meuble fermé. Il est conçu pour une installation autonome uniquement.
11. Ne faites pas fonctionner votre réfrigérateur en présence de fumées explosives
12. N'utilisez pas de dispositifs mécaniques ou d'autres moyens pour accélérer le processus de dégivrage, autres que ceux recommandés par le fabricant.
13. N'utilisez pas d'appareils électriques à l'intérieur des compartiments de stockage des aliments de l'appareil, sauf s'ils sont du type recommandé par le fabricant.
14. Ne laissez jamais les enfants jouer avec le réfrigérateur, le faire fonctionner ou ramper à l'intérieur. Avant de jeter votre ancien réfrigérateur ou congélateur.
  - Enlever les portes
  - Laissez les étagères en place afin que les enfants ne puissent pas grimper facilement à l'intérieur.
15. L'appareil doit être débranché avant toute opération d'entretien par l'utilisateur.
16. Cet appareil peut être utilisé par des enfants âgés de 8 ans et plus et par des personnes dont les capacités physiques, sensorielles ou mentales sont réduites ou qui manquent d'expérience et de connaissances, à condition qu'elles aient reçu une surveillance ou des instructions concernant l'utilisation de l'appareil en toute sécurité et qu'elles comprennent les risques encourus. Les enfants ne doivent pas jouer avec l'appareil. Le nettoyage et l'entretien ne doivent pas être effectués par des enfants sans surveillance.
17. Si une pièce est endommagée, elle doit être remplacée par le fabricant ou des personnes qualifiées afin d'éviter tout risque.
18. Veuillez mettre le réfrigérateur au rebut conformément aux réglementations locales, car l'appareil contient des gaz inflammables et du fluide frigorigène. Tous les produits de réfrigération contiennent des fluides frigorigènes qui, en vertu des lois fédérales, provinciales ou municipales, doivent être éliminés avant d'être mis au rebut. Il est de la responsabilité du propriétaire de se conformer à la réglementation lors de la mise au rebut de ce produit.
19. Cet appareil est destiné à être utilisé dans un environnement domestique ou similaire.
20. N'entreposez pas et n'utilisez pas d'essence ou de liquides inflammables à l'intérieur ou à proximité du réfrigérateur.
21. N'utilisez pas de rallonge électrique avec cet appareil. Si le cordon d'alimentation est trop court, demandez à un électricien qualifié d'installer une prise à proximité de l'appareil. L'utilisation d'une rallonge peut nuire aux performances de l'appareil.

## PIÈCES



1. Compartiment de congélation
2. Commande de température (avec éclairage intérieur intégré)
3. Tablettes
4. Bac à légumes et à fruits
5. Pattes de nivellement
6. Dessus
7. Tablettes de porte
8. Portes cannettes
9. Bac à glace
- 10 Grattoir à glace

**AVERTISSEMENT :** Ne touchez jamais l'intérieur du compartiment de congélation ou les aliments congelés qui s'y trouvent avec des mains mouillées, car vous risqueriez de vous geler.

## INSTRUCTIONS D'INSTALLATION

### AVANT D'UTILISER VOTRE RÉFRIGÉRATEUR

- Retirez l'emballage extérieur et intérieur.
- Avant de brancher le réfrigérateur à la source d'alimentation, laissez-le en position verticale pendant environ 4 heures. Cela réduira le risque de dysfonctionnement du système de refroidissement dû à une mauvaise manipulation pendant le transport.
- Nettoyez la surface intérieure à l'eau tiède à l'aide d'un chiffon doux. (Voir les instructions de nettoyage)

### INSTALLATION DE VOTRE RÉFRIGÉRATEUR

- Cet appareil est conçu pour être posé librement et ne doit pas être encastré.
- Placez votre réfrigérateur sur un sol suffisamment solide pour le supporter lorsqu'il est entièrement chargé.
- Laissez un espace de 13 cm (5") entre chaque côté du réfrigérateur. Cela permet une bonne ventilation de l'air. Ajustez les pieds pour maintenir le réfrigérateur à niveau.
- Placez le réfrigérateur à l'écart de la lumière directe du soleil et des sources de chaleur (cuisinière, chauffage, radiateur, etc.). La lumière directe du soleil peut affecter le revêtement acrylique et les sources de chaleur peuvent augmenter la consommation électrique. Une température ambiante inférieure à 10°C (50°F) ou supérieure à 29°C (85°F) nuit aux performances de l'appareil.
- Cet appareil n'est pas conçu pour être utilisé dans un garage ou dans toute autre installation extérieure.
- Évitez d'installer le réfrigérateur dans des endroits humides.
- Branchez le réfrigérateur sur une prise murale dédiée, correctement installée et mise à la terre. Ne coupez ou ne retirez en aucun cas la troisième broche (terre) du cordon d'alimentation. Toute question concernant l'alimentation électrique et/ou la mise à la terre doit être adressée à un électricien certifié ou à un centre de service agréé. Cet appareil n'est pas conçu pour être installé dans un véhicule de loisirs ou utilisé avec un onduleur.
- Après avoir branché l'appareil sur une prise murale, mettez-le en marche et laissez-le refroidir pendant 2 à 3 heures avant de placer des aliments dans le compartiment réfrigérateur ou congélateur.

**AVERTISSEMENT** : L'utilisation incorrecte de la fiche avec mise à la terre peut entraîner un risque d'électrocution. Si le cordon d'alimentation est endommagé, faites-le remplacer par un électricien agréé.

- Ce réfrigérateur doit être correctement mis à la terre pour votre sécurité. Le cordon d'alimentation de ce réfrigérateur est équipé d'une fiche à trois broches qui s'adapte aux prises murales standard à trois broches afin de minimiser le risque d'électrocution.
- Ne coupez ou ne retirez en aucun cas la troisième broche de mise à la terre du cordon d'alimentation fourni.
- Ce réfrigérateur nécessite une prise électrique standard de 115 volts CA ~/60 Hz avec une mise à la terre à trois broches.
- Ce réfrigérateur n'est pas conçu pour être utilisé avec un onduleur.
- Le cordon doit être fixé derrière le réfrigérateur et ne doit pas être exposé ou pendre afin d'éviter toute blessure accidentelle.
- Ne débranchez jamais le réfrigérateur en tirant sur le cordon d'alimentation. Saisissez toujours fermement la fiche et retirez-la directement de la prise.
- N'utilisez pas de rallonge avec cet appareil. Si le cordon d'alimentation est trop court, demandez à un électricien qualifié ou à un technicien d'installer une prise à proximité de l'appareil. L'utilisation d'une rallonge peut nuire aux performances de l'appareil.



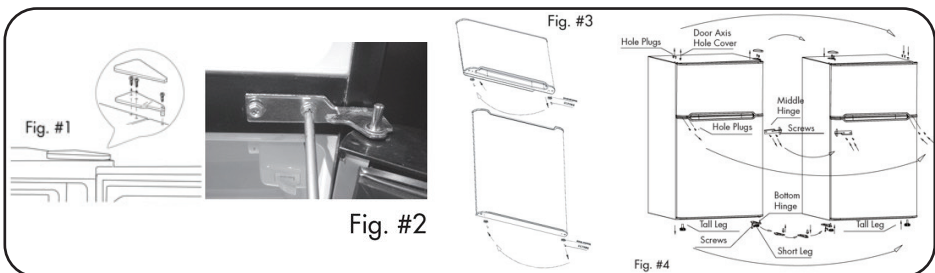
## ALIGNEMENT DE LA PORTE

### Inversion de la porte du congélateur : (voir schéma 1)

1. Retirer le couvercle de la charnière supérieure.
2. Desserrer les vis de la charnière supérieure (tournevis Phillips requis).
3. Ajustez la porte ou placez une entretoise entre les deux, puis serrez les vis.
4. Remettre en place le couvercle de la charnière supérieure.

### Inversion de la porte (voir schéma 4)

1. Retirez le couvercle de la charnière supérieure. (voir schéma 1)
2. À l'aide d'un tournevis Phillips, desserrez et retirez les vis qui maintiennent la charnière supérieure en place.
3. Retirez la charnière supérieure et soulevez avec précaution la porte du congélateur.
4. Retirez les bouchons des trous de vis du côté opposé et insérez les bouchons dans les ouvertures des trous de vis qui viennent d'être retirés.
5. Ouvrez la porte du réfrigérateur et dévissez les deux vis de la charnière centrale tout en maintenant la porte ouverte. (Voir schéma 2)
6. Retirez le support et soulevez la porte du réfrigérateur
7. Pendant que les portes sont enlevées, dévissez les butées de porte et remettez-les en place sur le côté opposé de la porte. (Voir schéma 3)
8. Retirer les bouchons des trous de vis du côté opposé et les insérer dans les ouvertures des vis qui viennent d'être retirées.
9. Enlevez tous les objets non fixés dans le réfrigérateur et inclinez soigneusement le réfrigérateur pour l'adosser au mur. Retirez les deux pieds de nivellement et placez-les dans un endroit sûr.
10. Desserrez les vis qui maintiennent le support de charnière inférieur sur la porte du réfrigérateur et retirez-les. vis et le support. Retirer le pied de nivellement
11. Retirer les vis de l'autre côté et les insérer dans les trous de vis précédemment retirés. Retirer le pied de nivellement.
12. Retirer la goupille de porte en la tournant dans le sens inverse des aiguilles d'une montre, la réinsérer sous le support et la serrer.
13. Aligner le support et insérer les (2) vis restantes dans les trous prévus à cet effet. Serrer à fond. Remettre les pattes et placez le réfrigérateur en position verticale.
14. Remettre les rondelles et le capuchon sur l'axe. Aligner le trou de la porte du réfrigérateur avec l'axe de la porte et pousser doucement vers le bas jusqu'à ce qu'il soit ferme.
15. Insérer l'axe du support de la charnière centrale dans le trou de la porte du réfrigérateur et aligner les trous du support de la charnière centrale sur les trous de vis de l'armoire.
16. Insérer les 2 vis et les serrer.
17. Placer les rondelles sur l'axe du support de la charnière centrale et aligner les trous de la porte du congélateur et les insérer dans l'axe.
18. Remettre les vis sur le couvercle de la charnière supérieure, aligner la porte et serrer les vis.
19. Remettre en place le couvercle de la charnière supérieure.



## INSTRUCTIONS DE FONCTIONNEMENT

### CONTRÔLE DE LA TEMPÉRATURE

Votre réfrigérateur est équipé d'un thermostat qui permet de régler la température. La commande de température est située en haut au centre du compartiment réfrigérateur. La première fois que vous mettez l'appareil en marche, réglez le bouton de réglage de la température sur "7" et faites fonctionner le réfrigérateur pendant au moins 2 heures avant d'y placer des aliments. Cela permet de s'assurer que l'intérieur de l'appareil est bien refroidi. La plage de réglage de la température du réfrigérateur s'étend de la position "1" à "7", "7" étant le réglage le plus froid. Ajustez la commande de température sur le réglage qui vous convient le mieux.

**Remarque :** Le réglage "4" devrait convenir à la plupart des usages domestiques ou professionnels.

**Remarque :** Le fait de tourner le bouton de réglage de la température sur la position "0" arrête le cycle de refroidissement, mais ne coupe pas l'alimentation électrique de l'appareil.

**Remarque :** Si l'appareil est débranché ou s'il perd de l'énergie, vous devez attendre 3 à 5 minutes avant de le redémarrer. Si vous tentez de le redémarrer avant ce délai, le réfrigérateur ne démarrera pas.

**Remarque :** De grandes quantités d'aliments réduisent l'efficacité de refroidissement de l'appareil. L'efficacité de refroidissement de l'appareil. Ne placez pas d'objets sur la sortie d'air. Laissez toujours de l'espace pour la circulation de l'air.

Si vous décidez de modifier le réglage du thermostat, ajustez la commande du thermostat d'un cran à la fois. Attendez plusieurs heures pour que la température se

### BAC À GLACE

Le réglage de température recommandé pour la fabrication de glaçons est "7".

Remplissez le bac à glaçons aux 2/3 avec de l'eau froide et placez le bac au fond du compartiment réfrigérateur pour qu'il gèle correctement. sur le fond du compartiment réfrigérant pour congeler correctement. Pour retirer les glaçons du bac, placez-le au-dessus d'un seau à glace et tordez-le légèrement. Réglez à nouveau la température sur "4"



### LE COMPARTIMENT CONGÉLATEUR

Ce compartiment est conçu pour la conservation à long terme des aliments surgelés. La durée de conservation des aliments congelés varie et il convient de ne pas dépasser la durée de conservation recommandée pour les aliments congelés. Placez les aliments congelés dans le congélateur le plus rapidement possible après leur achat. S'il y a des instructions sur l'emballage, suivez attentivement ces instructions concernant les durées de conservation.

### QUAND PROCÉDER AU DÉGIVRAGE

Afin d'éviter que le revêtement intérieur de l'appareil ne soit endommagé par une accumulation excessive de givre, veuillez dégivrer manuellement l'appareil tous les 3 mois ou lorsque la glace/le givre a une épaisseur d'environ 1/4" à l'intérieur du compartiment congélateur.

## COMMENT DÉGIVRER

Dégivrez le compartiment congélateur lorsque le givre a une épaisseur d'environ ¼" ou environ tous les 3 mois, selon la première éventualité. Réglez le cadran du thermostat sur "0" pour le dégivrage. Retirez tout le contenu du compartiment congélateur. Laissez la porte du congélateur ouverte pour permettre à la glace/au givre accumulés de fondre. Retirez les gros morceaux de glace si nécessaire. N'utilisez pas d'eau chaude ou d'autres appareils de chauffage électrique pour faire fondre la glace accumulée. Après le dégivrage, retirez la glace/l'eau accumulée et essuyez le compartiment congélateur à l'aide d'un chiffon doux. Si la glace n'est pas visible dans le compartiment congélateur, laissez l'évaporateur situé derrière la paroi du congélateur se dégivrer complètement pendant environ 2 heures avant de redémarrer l'appareil. Redémarrez l'appareil en suivant les instructions de démarrage.

## COMMENT CHANGER L'AMPOULE INTÉRIEURE

**REMARQUE :** Toutes les pièces retirées doivent être conservées pour procéder à la réinstallation de l'ampoule. Avant de retirer l'ampoule, débranchez l'appareil de l'alimentation électrique. Le non-respect de cette consigne peut entraîner une électrocution ou des blessures.

1. Retirer le couvercle de l'ampoule
2. Dévisser l'ancienne ampoule et installer la nouvelle ampoule
3. Réinstaller le couvercle de l'ampoule

## ENTRETIEN

### NETTOYAGE DE VOTRE RÉFRIGÉRATEUR

- Lors de l'installation de votre nouvel appareil, il est recommandé de le nettoyer soigneusement. Commencez par éteindre le réfrigérateur, puis débranchez l'appareil de la prise murale.
- Retirez tous les aliments contenus dans l'appareil.
- Lavez l'intérieur avec un chiffon humide et tiède imbibé d'eau tiède et d'une solution de bicarbonate de soude. La solution doit être d'environ 2 cuillères à soupe de bicarbonate de soude pour environ 1 litre d'eau.
- Veillez à ce que le joint de la porte reste propre afin de garantir le bon fonctionnement de l'appareil.
- L'extérieur du réfrigérateur doit être nettoyé avec un détergent doux et de l'eau chaude.
- Séchez l'intérieur et l'extérieur avec un chiffon doux.

### VACANCES

- Éteignez d'abord le réfrigérateur, puis débranchez l'appareil de la prise murale. Retirez tous les aliments.
- Nettoyez le réfrigérateur.
- Laissez la porte légèrement ouverte pour éviter la formation éventuelle de condensation, de moisissures ou d'odeurs.
- Soyez extrêmement prudent en présence d'enfants. L'appareil ne doit pas être accessible aux enfants qui jouent.
- Vacances de courte durée : Laissez le réfrigérateur en marche pendant les vacances de moins de trois semaines.
- Vacances longues : Si l'appareil n'est pas utilisé pendant plusieurs mois, retirez tous les aliments et débranchez le cordon d'alimentation. Nettoyez et séchez soigneusement l'intérieur. Pour éviter la formation d'odeurs et de moisissures, laissez la porte légèrement ouverte : bloquez-la si nécessaire ou faites-la enlever.

## DÉMÉNAGEMENT DE VOTRE RÉFRIGÉRATEUR

- Éteignez d'abord le réfrigérateur, puis débranchez l'appareil de la prise murale. Retirez tous les aliments.
- Fixez avec du ruban adhésif tous les objets en vrac à l'intérieur du réfrigérateur. Fermez la porte avec du ruban adhésif.
- Veillez à ce que le réfrigérateur reste en position verticale pendant le transport.

## CONSEILS D'ÉCONOMIE D'ÉNERGIE

- Le réfrigérateur doit être placé dans la zone la plus froide de la pièce, loin des appareils produisant de la chaleur ou des conduits de chauffage, et à l'abri de la lumière directe du soleil.
- Laissez les aliments chauds refroidir à température ambiante avant de les placer dans le réfrigérateur. La surcharge du réfrigérateur oblige le compresseur à fonctionner plus long temps. Les aliments qui gèlent trop lentement peuvent perdre leur goût ou s'abîmer.
- Veillez à emballer correctement les aliments et à essuyer les récipients avant de les placer dans le réfrigérateur. Cela permet de réduire la formation de givre à l'intérieur du réfrigérateur.
- Organisez et étiquetez les aliments afin de réduire les ouvertures de porte et les recherches prolongées. Retirez autant d'articles que nécessaire en une seule fois et fermez la porte dès que possible.
- Organize and label food to reduce door openings and extended searches. Remove as many items as needed at one time, and close the door as soon as possible.

## GUIDE DE DÉPANNAGE

Vous pouvez résoudre facilement de nombreux problèmes courants liés à votre réfrigérateur, ce qui vous permettra d'économiser le coût d'un éventuel appel au service après-vente. Essayez les suggestions ci-dessous pour voir si vous pouvez résoudre le problème avant d'appeler le service clientèle de Royal Sovereign.

# SÉRIE RMF-212

PROBLEME	POSSIBLE CAUSE
Le réfrigérateur ne fonctionne pas.	IL N'EST PAS BRANCHE. LE DISJONCTEUR S'EST DECLENCHE OU UN FUSIBLE A SAUTE.
Le compresseur se met en marche et s'arrête fréquemment.	La température ambiante est plus élevée que la normale. Une grande quantité d'aliments a été ajoutée au réfrigérateur. La porte est ouverte trop souvent. La porte n'est pas complètement fermée. La commande de température n'est pas réglée correctement. Le joint de la porte n'est pas étanche. Le réfrigérateur n'a pas les bons Le réfrigérateur n'a pas les bons dégagements. Le réfrigérateur a récemment été débranché pendant un certain temps. 4 heures sont nécessaires pour que le réfrigérateur refroidisse complètement.
La température à l'intérieur du réfrigérateur est trop élevée.	La température est trop élevée. Réglez la température à un niveau plus froid et attendez plusieurs heures pour que la température se stabilise. sur un réglage plus froid et attendez plusieurs heures pour que la température se stabilise. La porte reste ouverte trop longtemps ou est ouverte trop fréquemment. De l'air chaud pénètre dans le réfrigérateur à chaque ouverture de la porte. Ouvrez la porte moins souvent. La porte n'est pas complètement fermée. Le joint de la porte n'est pas étanche. Une grande quantité d'aliments chauds a pu être stockée récemment. Attendez que le réfrigérateur ait eu le temps d'atteindre la température sélectionnée. Le réfrigérateur a récemment été débranché pendant un certain temps. 4 heures sont nécessaires pour que le pour que le réfrigérateur refroidisse complètement.
La température à l'intérieur du réfrigérateur est trop froide.	La température est réglée trop froide. Réglez la température à un niveau plus chaud et attendez plusieurs heures pour que la température se stabilise.
La température de la surface externe du réfrigérateur est chaude.	Les parois extérieures du réfrigérateur peuvent être jusqu'à 30°F plus chaudes que la température ambiante. C'est normal, car le compresseur travaille pour transférer la chaleur de l'intérieur de l'armoire frigorifique.
Bruit d'éclatement ou de craquement lorsque le compresseur s'active.	Les pièces métalliques subissent des dilatations et des contractions, comme dans les conduites d'eau chaude. Ce phénomène est normal. Le son se stabilise ou disparaît lorsque le réfrigérateur continue de fonctionner.
Bruit de bulles ou de gargouillis, comme de l'eau en ébullition.	Le réfrigérant circule dans le système. Ce phénomène est normal.
Vibrations.	Vérifiez que le réfrigérateur se trouve sur une surface plane. Le sol est inégal ou faible. Le réfrigérateur bascule sur le sol lorsqu'il est légèrement déplacé. Assurez-vous que le sol peut supporter le réfrigérateur de manière adéquate. Mettez le réfrigérateur de niveau en plaçant des cales en bois ou en métal sous une partie du réfrigérateur. Le réfrigérateur touche le mur. Mettez le réfrigérateur à niveau et éloignez-le du mur. Voir "Instructions d'installation".
De l'humidité se forme à l'extérieur du réfrigérateur.	Le temps est chaud et humide, ce qui augmente le taux interne de formation de givre. C'est normal. La porte est légèrement ouverte. La porte reste ouverte trop longtemps ou est ouverte trop fréquemment. Ouvrez la porte moins souvent. La porte n'est pas correctement étanche.
De l'humidité se forme à l'extérieur du réfrigérateur.	La porte est légèrement ouverte, de sorte que l'air froid de l'intérieur du réfrigérateur rencontre l'air chaud et humide de l'extérieur.
La porte ne se ferme pas correctement	Le réfrigérateur n'est pas posé sur une surface plane. Le joint est sale.

## SPECIFICATIONS

Capacité totale	7,5 pi. cu.
Capacité du réfrigérateur	5,9 pi. cu.
Capacité du congélateur	1,6 pi. cu.
Thermostat ajustable	0-10°C
Thermostat du congélateur	-22 --14°C
Caractéristiques électriques	120 V/60 Hz
Réfrigérant	R600a
Energy Consumption	348 kwh
Dimensions de l'unité	21,6 po x 22,2 po x 55,7 po (540 x 565 x 1 415 mm)
Poids de l'unité	91,3 lb (41,5 kg)
Homologation	cETL

## GARANTIE LIMITÉE DE 18 MOIS

Cette garantie s'applique à la réparation ou au remplacement d'un produit présentant un défaut de matériau ou de fabrication pendant 18 mois à compter de la date de l'achat initial. Cette garantie n'est accordée qu'à l'acheteur d'origine.

Cette garantie ne s'applique pas aux dommages résultant d'un abus, d'une mauvaise utilisation ou d'un mauvais entretien ni aux dommages imputables à des actes de la nature. **Royal Sovereign International, Inc.** (et ses sociétés affiliées) n'est pas responsable des dommages accessoires ou indirects de quelque nature que ce soit. Cette limitation ne s'applique pas si vous vivez dans une région qui n'autorise pas l'exclusion ou la limitation des dommages accessoires ou indirects.

Les produits défectueux doivent être renvoyés au service des retours consommateurs de **Royal Sovereign International**, en port payé, accompagnés de la preuve d'achat et du paiement des frais d'expédition et de manutention (chèque ou mandat). Une fois réparé ou remplacé, le produit sera renvoyé au client.

Renvoyez le produit défectueux à l'adresse suivante, accompagné d'une description détaillée du problème. Si possible, le produit doit être emballé dans son carton d'origine. Les frais d'expédition doivent être payés à l'avance.

Pour les services hors garantie ou les questions fréquemment posées, veuillez vous référer à [www.royalsovereign.ca/pages/contacts](http://www.royalsovereign.ca/pages/contacts)

**RS INTERNATIONAL CANADA INC.**  
 191 Superior Blvd., Mississauga,  
 ON L5T 2L6 CANADA  
 TEL : +1) 866-961-6673  
[www.royalsovereign.ca](http://www.royalsovereign.ca)