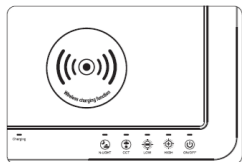
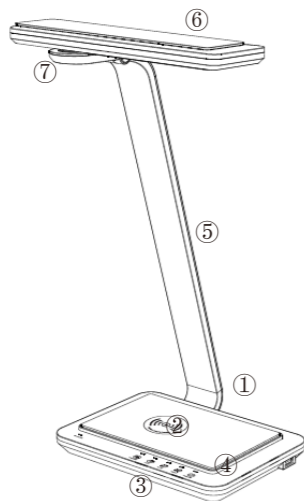


## LED Desk Lamp with Wireless Fast Charging Model RDL-140QI-W /RDL-140QI-B

### Product Overview

1. Adapter Input
2. Wireless Charging Base
3. Controls
4. Night Light
5. Adjustable Arm
6. Adjustable Head
7. LED Light



### Controls

- On/OFF Button: Press to turn On/OFF
- CCT Button: This button controls the light Temperature (Natural Light, Warm Light, Cool Light). Press the button to switch between light temperatures
- High/Low Buttons: Long press the buttons to adjust the stepless brightness within each light temperature
- High/Low Buttons: Long press the buttons to adjust the stepless brightness within each light temperature

Long press for 1 second to turn off the night light

### Safety Warning

**To reduce the risk of fire, electric shock or injury**

1. Turn LED Desk Lamp OFF. Wait until assembly and adapter are cool.
2. Do not place your hands on the LED panel
3. Do not use with an extension cord.
4. Do not try to alter the plug

This instruction sheet is not meant to cover all possible conditions and situations that may occur. Caution and care must be used with any electrical product.

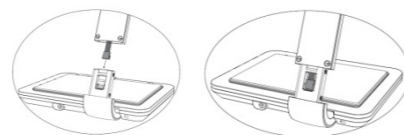
### Cleaning

Before cleaning:

1. Ensure the LED Desk Lamp is unplugged
2. Wipe the base, shade and soft tube with damp cloth.
3. Do not immerse the unit in water.
4. Do not use detergent or abrasives for cleaning.

### Assembly

1. Pull out the terminal from lamp post and insert it to the base



2. Tighten the base and lamp post with screws located at the bottom



### Operation

1. Place the LED desk lamp at the desired location on a desk or table
2. Place the Power adapter plug into the Power adapter input
3. Connect the supplied power adapter into a 120V electrical outlet.
4. Turn the On/Off Button to the 'ON' position
5. Use the CCT button to adjust to the desired light temperature setting (Natural Light, Warm Light and Cool Light)
6. Use the button to adjust to the desired stepless dimming setting
7. Adjust the head and arm to desired lighting position

## Read and Save These Instructions

### Wireless Charging

This desk lamp is capable of fast charging Wireless Qi enabled devices, such as an iPhone 8 or newer series and Qi enabled android devices.

Please note the information below when charging your device

- Different Qi devices (e.g. mobile phones) have its wireless receiver located in different places inside the device. It may therefore be necessary to move the mobile device slowly around the charging base until the mobile device indicator light shows that it is being charged.

- Do not keep any metal objects near the charging base such as a magnet, bank or ID card, scissors, coins, etc.

- If you are using a phone case of 2mm or more thickness, you may experience difficulty finding the correct charging position and/or the wireless charging feature may not function

### Specifications

Feature	RDL-140QI-W/B
Light Output	600 Lumens
Input Power	10 Watts
Light Color/Temperature	2700K, 4300K, 6300K
Fast Wireless Charging	Yes (10W Samsung / 7.5W Fast Charge iPhone)
Nightlight	2 step brightness
Adjustable Head	80° Left /Right, 115° Up/Down
Adjustable Arm	12° Arm Rotation
Material	ABS Plastic
Adapter	100-240V AC 50/60 Hz
Dimensions	216 x 160 x 450mm (8.5" x 6.3" x 17.7")
Weight	3.5 lbs. (1.6kg)

### Warranty

Royal Sovereign warrants this product to be free from defects in material and workmanship. Our obligation under this warranty is limited to the repair or replacement, free of charge, when delivered to an authorized Royal Sovereign service center, of any defective part(s) thereof, other than parts damaged in transit.

This warranty is in effect to the original purchaser, for a period of one year from the date of purchase and is not transferable. This warranty shall apply only if the product is used in accordance with the factory provide instructions which accompany it.

### Exclusions

This warranty excludes and does not cover defects, malfunctions or failures of this product, caused by repairs by unauthorized persons or service centers, mishandling, improper installation, modification or unreasonable use including incorrect voltage, acts of God, or failure to provide reasonable and necessary maintenance. This warranty is in lieu of any and all expressed warranties. In no event shall Royal Sovereign be liable for consequential or incidental damages. This limitation would not apply if you live in a location that does not permit the exclusion of limitation of incidental or consequential damages.

### RS INTERNATIONAL CANADA INC.

191 Superior Blvd, Mississauga Ontario L5T2L6 CANADA  
TEL : +1) 905-461-1095 TF # : +1) 866-961-6673  
FAX : +1) 905-461-1096

[www.royalsovereign.ca](http://www.royalsovereign.ca)

Because our products are subject to continuous improvement, Royal Sovereign reserves the right to modify product design and specification without notice and without incurring any obligation E&OE.