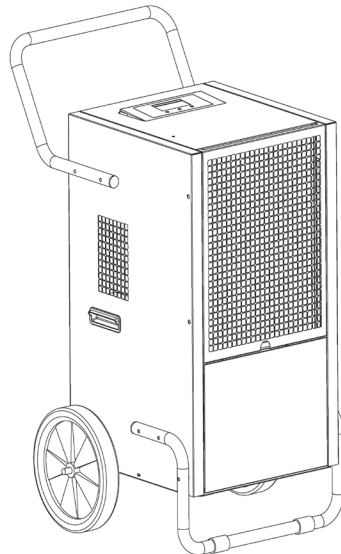




OWNER'S MANUAL

COMMERCIAL DEHUMIDIFIER WITH AUTOMATIC PURGE PUMP

RDHC-150P



Page en Français

Read and retain these instructions for future reference.

For any Customer Support needs, please choose the Support tab on

www.royalsovereign.com (USA)

www.royalsovereign.ca (Canada)

Royal Sovereign International Inc

CONTENTS

PAGE

Important Safety Instructions	2-3
Product View	4
Assembly	4
Product Operation	5
Maintenance	6
Storage	6
Trouble Shooting	7
Error Messages	7
Specifications	8
Warranty	9

IMPORTANT SAFETY INSTRUCTIONS

Read all instructions before use.

Your safety and the safety of others is very important.

We have provided many important safety messages in this manual and on your dehumidifier. Always read and obey all safety messages.

⚠ This is the safety alert symbol. This symbol alerts you to potential hazards that can hurt you and others.

All safety messages will follow the safety alert symbol and either the word "WARNING" or "CAUTION". These words mean:

⚠ WARNING This symbol indicates the possibility of death or serious injury.

⚠ CAUTION This symbol indicates the possibility of injury or damage to property.

⚠ WARNING: To reduce the risk of fire, electric shock, or injury to persons when using this dehumidifier, follow basic precautions, including the following:

- Do not attempt to repair or replace any part of your dehumidifier unless it is specifically recommended in this manual. All other services should be referred to a qualified technician.
- If the power cord becomes worn or damaged, the cord should only be replaced by a qualified service technician using genuine replacement parts.
- The dehumidifier should be plugged into its own grounded (13A, 60Hz, 115VAC circuit) .
- Do not plug other appliances into the same outlet; it can overload the circuit and cause a fire or electric shock.
- Do not remove the round grounding prong from the plug. It can result in the risk of electric shock.
- This dehumidifier is not designed for use by young children. Young children should be supervised to ensure that they do not play with or climb on the unit.
- Be sure all packaging materials are removed from the dehumidifier before use. It can result in personal injury.
- Do not disassemble or modify the dehumidifier or the power cord. It can result in the risk of electric shock or fire.
- Do not place the power cord or dehumidifier near a heater, radiator, or other heat source. It can result in the risk of electric shock or fire.
- Do not use this or any dehumidifier near flammable gases or liquids or other combustibles, such as gasoline, benzene, thinner, etc. It can result in the risk of electric shock or fire.
- Make sure the power cord is plugged firmly and completely into the outlet. It can result in the risk of electric shock or fire.
- Do not start or stop operation by plugging in or unplugging the power cord. It can result in the risk of electric shock.
- If the dehumidifier is making unusual sounds or is emitting smoke or an unusual odor, unplug it immediately. It can result in the risk of electric shock or fire.
- Do not use if the electrical socket is loose or damaged. It can result in the risk of electric shock or fire.
- Do not operate with wet hands or in a excessive damp environment. It can result in the risk of electric shock.
- Do not use this or any electrical appliance if you smell gas. It can result in the risk of fire or explosion.
- Turn off and unplug the dehumidifier before cleaning to avoid the risk of electric shock.
- Do not clean the unit with water. Water can enter the unit and damage the insulation, creating a shock hazard. If water enters the unit, unplug it immediately and contact Royal Sovereign Customer Service. It can result in the risk of electric shock

IMPORTANT SAFETY PRECAUTIONS - CONTINUED

- To avoid possible cuts, avoid contacting the metal parts of the dehumidifier when removing or re-installing the filter. It can result in the risk of personal injury.
- Do not block the air inlet or outlet of the dehumidifier. Reduced air flow will result in poor performance and could damage the unit.
- Always grasp the plug when plugging in or unplugging the dehumidifier. Never unplug by pulling on the cord. It can result in the risk of electrical shock and damage.
- Always turn off and unplug the dehumidifier when it will not be used for extended period of time. This conserves energy and reduces the chance of accidents.
- Install the dehumidifier on a sturdy, level floor capable of supporting up to 110 lbs (50 kg). Installation on a weak or not level floor can result in the risk of property damage and personal injury.
- Make sure the dehumidifier is the correct size for the area you wish to dehumidify. Using a dehumidifier that is the wrong size can waste energy and damage the unit.
- Close all doors and windows to the room for most efficient operation.
- To prevent damage to the surface finish, use only a soft cloth to clean the dehumidifier. Do not use wax, thinner, or a strong detergent.
- To prevent spills and property damage, be sure to drain the dehumidifier properly.
- Do not position the dehumidifier so that pets or house plants are exposed to the direct air flow. It can result in the risk of injury to pets or house plants.
- Do not drink the water from the bucket. Dispose of it properly outdoors or down the drain.
- Do not operate dehumidifier without the filter securely in place. Operation without the filter could damage the unit.
- Clean the filter every two weeks, or more often if needed.
- If you do not have a properly grounded outlet, or if there is any doubt that the outlet is not properly grounded, a qualified electrician should check the outlet and circuit, and, if necessary, install a properly grounded outlet.
- This dehumidifier must be plugged into a grounded 60 Hz, 115 VAC outlet protected by a 13 amp time delay fuse or circuit breaker.
- This dehumidifier must be installed in accordance with national wiring codes.

DANGER

Never attempt to disassemble or alter the unit in any way not instructed by this manual. Electric shock may occur, resulting in injury or death.

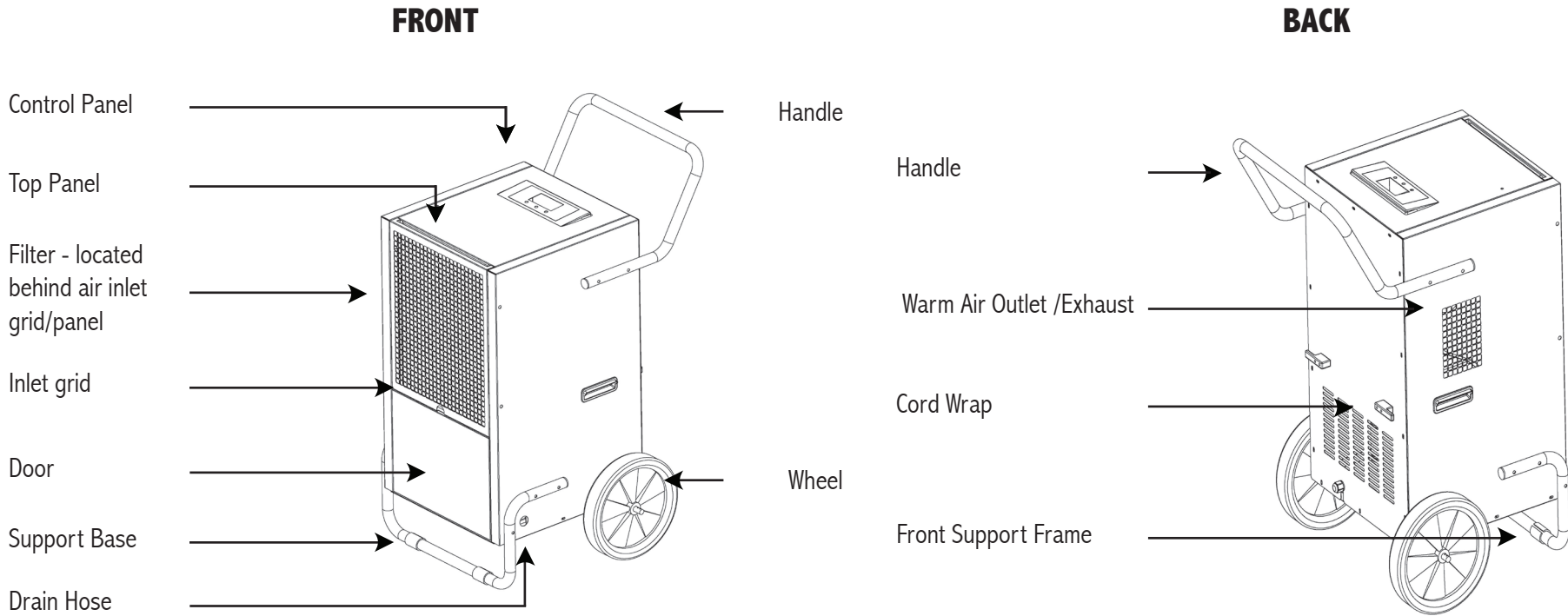
Do not handle the plug with wet hands. Electric shock may occur, resulting in injury or death.

WARNING

Do not immerse this unit in water or splash water on it. An electrical short may occur.

Do not block the grids when the unit is in use. Keep metal objects away from the unit. Bodily injury or property damage may occur.

PRODUCT VIEW



INSTALLATION AND ASSEMBLY

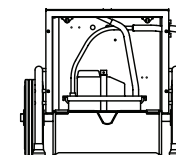
1. Your dehumidifier is designed for easy use and maintenance. Make sure that the filter is properly installed before use.
2. Keep the unit's air inlet and outlet at least 24" (61cm) away from any wall/ obstruction.
3. Select a flat, stable surface to place the unit. Do not place on or near heat sources such as stoves, radiators, heaters and avoid placement in direct sunlight.
4. Do not operate the unit in areas where chemicals are stored. Volatile chemicals might damage the unit and may cause the water bucket to leak.

Note: Do not tilt the unit over 45° to avoid damaging the compressor.

AUTO PUMP HOSE INSTALLATION

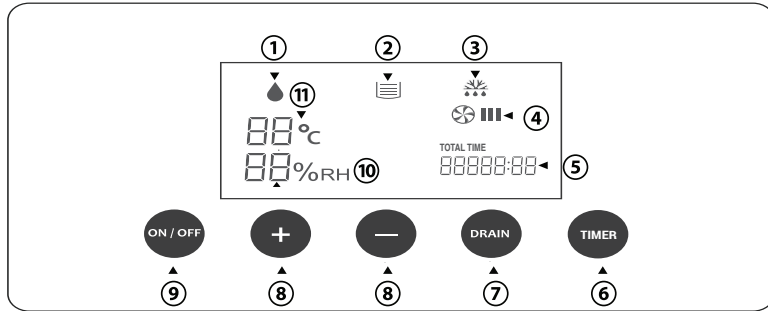
** This Commercial Dehumidifier has a Built-in Auto Pump, which allows water removal of up to 5m (16.4ft) in height. You can therefore run the supplied hose to a drain, sink, etc.

1. Connect the supplied 5m hose to the dehumidifier. Refer to water pump connection diagram.
2. Run the hose to the desired drainage location. Ensure that there is no kinks or knots in the hose.



Water-pump connection

PRODUCT OPERATION



- | | |
|-------------------------|--------------------|
| 1. Dehumidify Indicator | 10. Humidity % |
| 2. Water Pump Indicator | 11. Temperature °C |
| 3. Defrost Indicator | |
| 4. FAN Indicator | |
| 5. Accumulated Run Time | |
| 6. Timer button | |
| 7. Drain Button | |
| 8. Up and Down Button | |
| 9. On/Off Button | |

NOTE: ALWAYS unplug the unit, properly wrap the power cord and utilize the plug storage receptacle before moving or servicing. Use only the ON/ OFF button to turn the unit on and off.



Plug the power cord into a standard electrical power outlet. The control panel will illuminate, all indicators will appear briefly before reverting to a grey screen. Press the “ON/OFF” button to turn the unit on.



Press “TIMER” button to set time to shut off or start on. When the dehumidifier is plugged-in and in stand-by mode, use the TIMER feature to automatically turn the dehumidifier ON. When the dehumidifier is operating, use the TIMER feature to automatically turn the dehumidifier OFF. To use TIMER function, press the TIMER button and press the +/- buttons to adjust the time from 0-24 hours followed by pressing the TIMER button.



Press to adjust the humidity setting.



This dehumidifier is equipped with Automatic Purge Pump Feature. Press Drain button to have the pump automatically empty the water inside the dehumidifier.

OPERATING TIPS

NOTE: 1. When the humidity setting is higher than the current room humidity, the compressor will not run and fan motor continues running. Maintaining the humidity between 45-65% is suggested for best results.

NOTE: NEVER attempt to start, stop and restart the unit without waiting at least **3 minutes**. Failure to do so may cause damage to the compressor and/ or cause unit failure.

2. The unit will automatically sense when it needs to enter the DEFROST cycle, especially in low-temperature environments. During the defrost cycle, the DEFROST Indicator will illuminate on the display, the compressor will turn off, and the fan motor will run until the cycle is complete. The built in auto pump will automatically remove water

3. Accumulated run time on the display indicates the total number of hours that the unit has been operated.

NOTE: ALWAYS unplug the unit, properly wrap the power cord and utilize the plug storage receptacle before moving or servicing. Use only the ON/OFF button to turn the unit on and off.

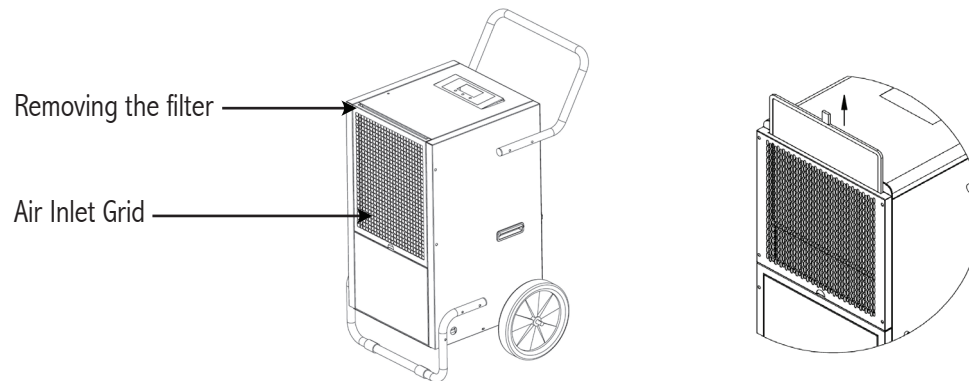
MAINTENANCE

NOTE: Periodic cleaning of the filter is necessary to keep the unit running efficiently. It should be cleaned at least once a month or more often under very dusty conditions. The air filter can be removed by gently pulling upwards on the fabric tab near the top of the unit. Gently vacuum any significant particles from the filter, and then wash the filter in warm, soapy water. Allow the filter to fully dry before carefully placing it back in the filter bracket.

NOTE: Do not place the filter in the dishwasher.

⚠ WARNING To reduce the risk of electric shock, always unplug the unit before servicing or cleaning. Do not immerse in water or any other liquids.

- Unplug the unit. Using a damp cloth or sponge, wipe the enclosure, control panel and power cord (if necessary).
- The exhaust panel should simply be dusted. It should not be immersed in water.
- No part of the unit should be placed in a dishwasher.
- To extend the life of the filter when the unit is not in use for an extended period of time, place the filter in a sealed plastic bag.



To remove the filter, gently pull upwards on the fabric tab near the top of the unit

STORAGE

If you don't use the unit for an extended period of time, please store it per the following steps:

- (1) Clean the filter mesh.

IMPORTANT: The evaporator inside the machine must to dry before the unit is packed as this will avoid component damage and possible mold. Follow the Drain procedure to purge the dehumidifier which is outlined n the Product Operation Section of this manual

- (2) Neatly wind the power cord and place it at the back of dehumidifier.
- (3) Store the dehumidifier in a clean, dry environment.

TROUBLE SHOOTING

Trouble	Cause	Solution
The dehumidifier will not turn on	1. No power	1. Check the power supply to the unit
Reduced air-flow or poor dehumidification efficiency	1. Air intake or exhaust may be blocked 2. The Filter may be clogged 3. Doors or windows in the room are open 4. Refrigeration system leakage	1. Remove any observable obstructions, and verify that the unit has at least 61cm (24") clearance on all sides. 2. Clean the filter or replace it, if necessary 3. Close the doors and windows 4. Consult a certified technician or contact Royal Sovereign customer service
Water leaks from the unit	1. The unit may be unstable or not upright 2. The tank or drain hose is clogged	1. Ensure the unit is stable and level 2. Check the tank and drain hose and remove any kinks or obstructions.

ERROR MESSAGES

Below outlines possible error codes that may appear in the HUMIDITY % display screen. Service of the dehumidifier may be required.

Error Code	Problem
E2	Room temp sensor may need replacement
E3	Humidity sensor may need replacement
E4	Water pump may need replacement
E5	Defrost sensor may need replacement

SPECIFICATIONS

Model	RDHC-150P
Voltage & Frequency	AC 115V 60Hz
Rated capacity	190 Pints/Day @ 95°F, 90% RH
	170 Pints/Day @ 90°F, 90% RH
	150 Pints/Day @ 86°F, 80%RH
	85 Pints/Day @ 80°F, 60%RH
Drainage Type	Auto Pump (16.4ft/5m)
Thermostat Range	Adjustable
Operating Temperature Range	5-38°C (41-100.4°F)
Washable Filter	Yes
Timer	1-24 Hours
Applicable Area	150 sq.m (1600 sq. ft)
Air Circulation	649m ³ /hr (382 CFM)
Refrigerant	R410A
Dimensions	410 x 397 x 751mm (16.2" x 15.7" x 29.6")
Net Weight	42 kg (92.4 lbs)

WARRANTY

Royal Sovereign International, Inc. warrants this product to be free from defects in material and workmanship for a period of one (1) year. This warranty is extended to the original purchaser only.

This warranty only covers products that are properly installed, properly maintained, and properly operated in accordance with the instructions provided. This limited warranty does not cover any failures or operating difficulties due to normal wear and tear, accident, abuse, misuse, alteration, misapplication, improper installation, or improper maintenance and service by you or any third party.

Returned product will not be accepted without a Return Authorization number. To request a Return Authorization number, please visit us at www.royalsovereign.com. All transportation costs for the return of damaged product or parts will be the responsibility of the purchaser. Return defective product, in original packaging, to the address below.

Royal Sovereign International, Inc. requires reasonable proof of your date of purchase from an authorized retailer or distributor. Therefore, you should keep your receipt, invoice, or canceled check from the original purchase. The limited warranty shall be limited to the repair or replacement of parts which prove defective under normal use and service within the warranty period.

Royal Sovereign International, Inc. (and its affiliated companies) SHALL HAVE NO LIABILITY WHATSOEVER TO PURCHASER OR ANY THIRD PARTY FOR ANY SPECIAL, INDIRECT, PUNITIVE, INCIDENTAL, OR CONSEQUENTIAL DAMAGES. Some states do not allow the exclusion or limitation of incidental or consequential damages so the above exclusion and limitations may not apply to you.

ROYAL SOVEREIGN INTERNATIONAL, INC.

2 Volvo Drive Rockleigh, NJ 07647 USA

TEL : (201) 750-1020

info@royalsovereign.com

www.royalsovereign.com

RS INTERNATIONAL CANADA INC.

191 Superior Blvd., Mississauga, ON L5T 2L6 CANADA

TEL: (905) 461-1095

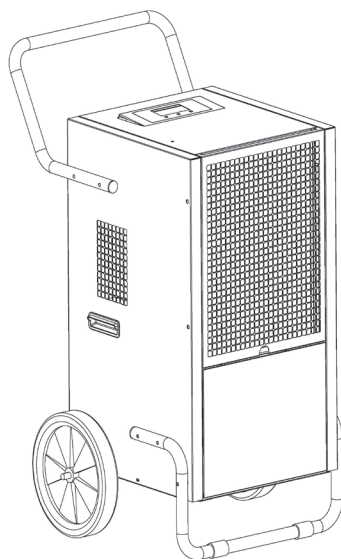
e-mail: ca.support@royalsovereign.com

www.royalsovereign.ca

GUIDE D'UTILISATION

DÉSHUMIDIFICATEUR COMMERCIAL AVEC POMPE DE PURGE AUTOMATIQUE

RDHC-150P



Page en français

Lisez et conservez ces instructions pour toute référence ultérieure.

Pour tout besoin de support client, veuillez choisir l'onglet Support à la page Web
suivante:

www.royalsovereign.com (États-Unis)

www.royalsovereign.ca (Canada)

CONTENU

PAGE

Instructions de sécurité importantes -----	11-12
Survol du produit -----	13
Assemblage -----	13
Fonctionnement du produit -----	14
Entretien -----	15
Entreposage -----	16
Dépannage-----	16
Messages d'erreur -----	16
Spécifications -----	17
Garantie-----	18

INSTRUCTIONS DE SÉCURITÉ IMPORTANTES

Lisez toutes les instructions avant l'utilisation.

Votre sécurité et celle des autres est très importante.

Nous avons fourni de nombreux messages de sécurité importants dans ce manuel et sur votre déshumidificateur. Lisez et respectez toujours tous les messages de sécurité.

⚠ Il s'agit du symbole d'alerte de sécurité. Ce symbole vous avertit des dangers potentiels qui peuvent vous blesser et blesser d'autres personnes.

Tous les messages de sécurité suivront le symbole d'alerte de sécurité et le mot "AVERTISSEMENT" ou "ATTENTION". Ces mots signifient :

⚠ AVERTISSEMENT Ce symbole indique la possibilité de mort ou de blessure grave.

⚠ ATTENTION Ce symbole indique la possibilité de blessures ou de dommages matériels.

⚠ AVERTISSEMENT : Pour réduire le risque d'incendie, d'électrocution ou de blessure lors de l'utilisation de ce déshumidificateur, suivez les précautions de base, notamment les suivantes :

- N'essayez pas de réparer ou de remplacer une pièce quelconque de votre déshumidificateur, sauf si cela est spécifiquement recommandé dans ce manuel. Tous les autres services doivent être confiés à un technicien qualifié.
- Si le cordon d'alimentation est usé ou endommagé, il ne doit être remplacé que par un technicien qualifié utilisant des pièces de rechange d'origine.
- Le déshumidificateur doit être branché sur son propre circuit de mise à la terre (13 A, 60 Hz, 115 V CA).
- Ne branchez pas d'autres appareils sur la même prise cela peut surcharger le circuit et provoquer un incendie ou une électrocution.
- Ne retirez pas la broche ronde de mise à la terre de la fiche. Cela peut entraîner un risque d'électrocution.
- Ce déshumidificateur n'est pas conçu pour être utilisé par de jeunes enfants. Les jeunes enfants doivent être surveillés afin de s'assurer qu'ils ne jouent pas avec l'appareil ou ne grimpent pas dessus.
- Veillez à ce que tous les matériaux d'emballage soient retirés du déshumidificateur avant de l'utiliser. Cela peut entraîner des blessures.
- Ne démontez pas et ne modifiez pas le déshumidificateur ou le cordon d'alimentation. Cela peut entraîner un risque d'électrocution ou d'incendie.
- Ne placez pas le cordon d'alimentation ou le déshumidificateur à proximité d'un chauffage, d'un radiateur ou d'une autre source de chaleur. Cela peut entraîner un risque d'électrocution ou d'incendie.
- N'utilisez pas ce déshumidificateur ou tout autre déshumidificateur à proximité de gaz ou de liquides inflammables ou d'autres combustibles, tels que l'essence, le benzène, le diluant, etc. Cela peut entraîner un risque d'électrocution ou d'incendie.
- Assurez-vous que le cordon d'alimentation est fermement et complètement branché dans la prise de courant. Cela peut entraîner un risque d'électrocution ou d'incendie.
- Ne démarrez ou n'arrêtez pas le fonctionnement en branchant ou en débranchant le cordon d'alimentation. Cela peut entraîner un risque d'électrocution.
- Si le déshumidificateur émet des sons inhabituels ou de la fumée ou une odeur inhabituelle, débranchez-le immédiatement. Cela peut entraîner un risque d'électrocution ou d'incendie.
- Ne l'utilisez pas si la prise électrique est lâche ou endommagée. Cela peut entraîner un risque d'électrocution ou d'incendie.
- Ne pas utiliser avec des mains mouillées ou dans un environnement excessivement humide. Cela peut entraîner un risque d'électrocution.
- N'utilisez pas cet appareil ou tout autre appareil électrique si vous sentez une odeur de gaz. Cela peut entraîner un risque d'incendie ou d'explosion.
- Éteignez et débranchez le déshumidificateur avant de le nettoyer afin d'éviter tout risque d'électrocution.
- Ne nettoyez pas l'appareil avec de l'eau. L'eau peut pénétrer dans l'appareil et endommager l'isolation, créant ainsi un risque d'électrocution. Si de l'eau pénètre dans l'appareil, débranchez-le immédiatement et contactez Service clientèle de Royal Sovereign. Elle peut entraîner un risque d'électrocution.

PRÉCAUTIONS DE SÉCURITÉ IMPORTANTES (SUITE)

- Pour éviter d'éventuelles coupures, évitez tout contact avec les parties métalliques du déshumidificateur lorsque vous retirez ou réinstallez le filtre. Cela peut entraîner un risque de blessure.
- Ne bloquez pas l'entrée ou la sortie d'air du déshumidificateur. Une réduction du débit d'air entraînera un mauvais fonctionnement et pourrait endommager l'appareil.
- Saisissez toujours le bouchon lorsque vous branchez ou débranchez le déshumidificateur. Ne débranchez jamais l'appareil en tirant sur le cordon d'alimentation. Cela peut entraîner un risque d'électrocution et d'endommagement.
- Mettez hors fonction et débranchez toujours le déshumidificateur lorsqu'il n'est pas utilisé pendant une période prolongée. Cela permet d'économiser de l'énergie et de réduire les risques d'accident.
- Installez le déshumidificateur sur un sol solide et plat pouvant supporter jusqu'à 50 kg (110 lb). L'installation sur un sol faible ou non nivelé peut entraîner des risques de dommages matériels et les dommages corporels.
- Assurez-vous que le déshumidificateur est de la bonne taille pour la zone que vous souhaitez déshumidifier. L'utilisation d'un déshumidificateur de mauvaise taille peut entraîner un gaspillage d'énergie et endommager l'appareil.
- Fermez toutes les portes et fenêtres de la pièce pour un fonctionnement optimal.
- Pour éviter d'endommager la finition de la surface, utilisez uniquement un chiffon doux pour nettoyer le déshumidificateur. N'utilisez pas de cire, de diluant ou de détergent puissant.
- Pour éviter les déversements et les dommages matériels, veillez à bien vidanger le déshumidificateur.
- Ne placez pas le déshumidificateur de manière à ce que les animaux domestiques ou les plantes d'intérieur soient exposés au flux d'air direct. Cela peut entraîner un risque de blessure pour les animaux domestiques ou les plantes d'intérieur.
- Ne buvez pas l'eau du seau. Éliminez-la correctement à l'extérieur ou dans les égouts.
- Ne faites pas fonctionner le déshumidificateur sans que le filtre soit bien en place. Le fonctionnement sans filtre pourrait endommager l'appareil.
- Nettoyez le filtre toutes les deux semaines, ou plus souvent si nécessaire.
- -Si vous n'avez pas de prise de courant correctement mise à la terre, ou s'il y a un doute que la prise n'est pas correctement mise à la terre, un électricien qualifié doit vérifier la prise et le circuit, et, si nécessaire, installez une prise de courant correctement mise à la terre..
- Ce déshumidificateur doit être branché sur une prise de courant de 60 Hz, 115 V CA, mise à la terre et protégée par un fusible à retardement de 13 ampères ou un disjoncteur.
- Ce déshumidificateur doit être installé conformément aux codes de câblage nationaux.

DANGER

N'essayez jamais de démonter ou de modifier l'appareil d'une manière qui ne soit pas indiquée dans ce manuel. Une électrocution peut se produire, entraînant des blessures ou la mort.

Ne manipulez pas la fiche avec des mains mouillées. Une électrocution peut se produire et entraîner des blessures ou la mort.

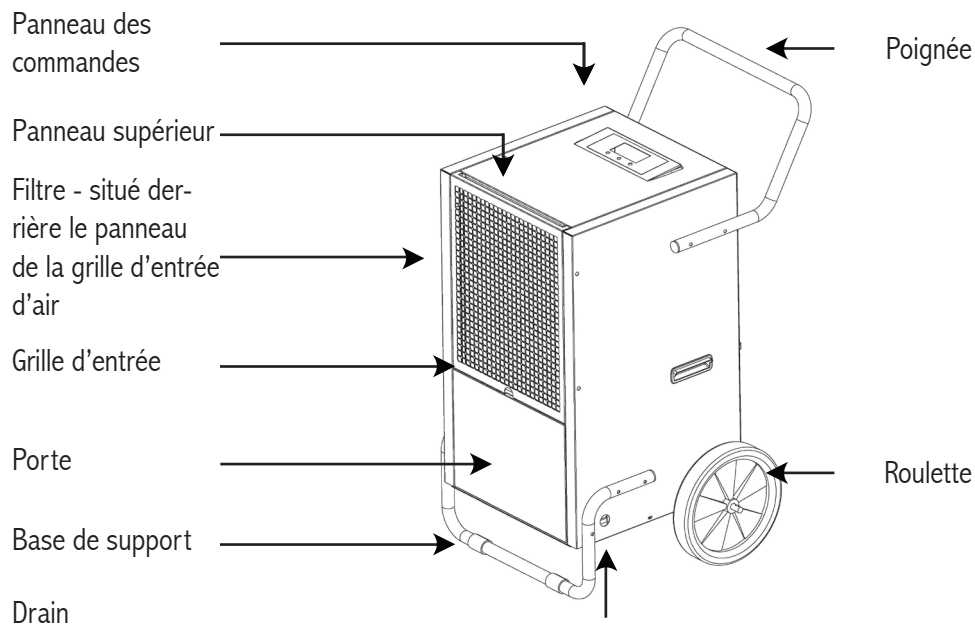
AVERTISSEMENT

Ne plongez pas cet appareil dans l'eau et ne l'éclaboussez pas d'eau. Un court-circuit électrique pourrait se produire.

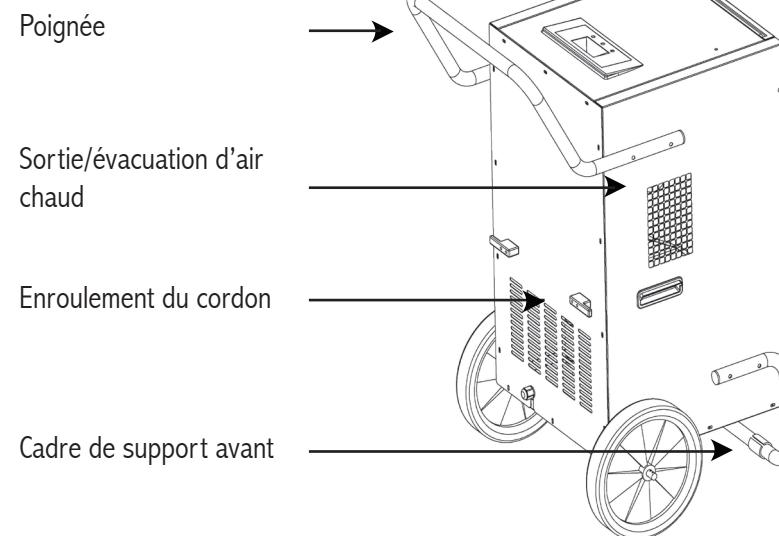
Ne pas bloquer les grilles lorsque l'appareil est utilisé. Tenez les objets métalliques éloignés de l'appareil. Des blessures corporelles ou des dommages matériels peuvent se produire.

SURVOL DU PRODUIT

AVANT



ARRIÈRE



INSTALLATION ET MONTAGE

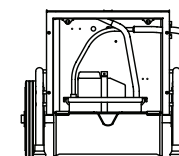
1. Votre déshumidificateur est conçu pour être facile à utiliser et à entretenir. Assurez-vous que le filtre est correctement installé avant de l'utiliser.
2. Maintenez l'entrée et la sortie d'air de l'appareil à une distance d'au moins 24 po (61 cm) de tout mur/obstruction.
3. Choisissez une surface plane et stable pour placer l'appareil. Ne le placez pas sur ou près de sources de chaleur telles que des poêles, des radiateurs, des appareils de chauffage et évitez de le placer en plein soleil.
4. N'utilisez pas l'appareil dans des endroits où sont stockés des produits chimiques. Les produits chimiques volatils pourraient endommager l'appareil et provoquer une fuite de l'eau.

Remarque : Ne pas incliner l'appareil à plus de 45° pour éviter d'endommager le compresseur.

INSTALLATION DU TUYAU DE LA POMPE AUTOMATIQUE

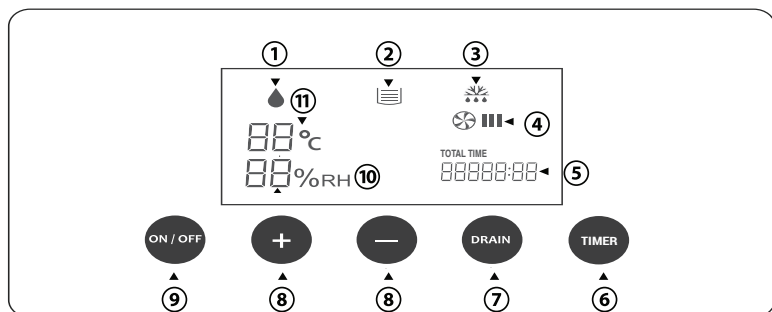
** Ce déshumidificateur commercial est doté d'une pompe automatique intégrée, qui permet d'évacuer l'eau jusqu'à une hauteur de 5 m (16,4 pieds). Vous pouvez donc faire passer le tuyau fourni vers une évacuation, un évier, etc.

1. Raccordez le tuyau de 5 m fourni au déshumidificateur. Reportez-vous au schéma de raccordement de la pompe à eau.
2. Faites courir le tuyau jusqu'à l'endroit de drainage souhaité. Veillez à ce que le tuyau ne soit pas plié ou noué.



Raccordement de la pompe à eau

FUNCTIONNEMENT DU PRODUIT



- | | |
|------------------------------------|--------------------|
| 1. Indicateur de déshumidification | 10. Humidité (%) |
| 2. Indicateur de pompe à eau | 11. Température °C |
| 3. Indicateur de dégivrage | |
| 4. Indicateur du ventilateur | |
| 5. Temps de fonctionnement cumulé | |
| 6. Bouton de la minuterie | |
| 7. Bouton de vidange | |
| 8. Bouton haut et bas | |
| 9. Bouton marche/arrêt | |

REMARQUE : Débranchez TOUJOURS l'appareil, enrroulez correctement le cordon d'alimentation et utilisez le réceptacle de rangement de la fiche avant de le déplacer ou de le réparer. Utilisez uniquement le bouton "ON/ OFF" pour allumer et éteindre l'appareil. l'unité sur et hors tension.



Branchez le cordon d'alimentation sur une prise électrique standard. Le panneau de commande s'allume, tous les indicateurs apparaissent brièvement avant de revenir à un écran gris. Appuyez sur le bouton "ON/OFF" pour allumer l'appareil.



Appuyez sur le bouton "TIMER" pour régler l'heure d'arrêt ou de mise en marche. Lorsque le déshumidificateur est branché et en mode d'attente, utilisez la fonction "TIMER" (minuterie) pour mettre automatiquement le déshumidificateur en marche. Lorsque le déshumidificateur fonctionne, la fonction "TIMER" permet de le mettre automatiquement hors tension. Pour utiliser la fonction "TIMER" (minuterie), appuyez sur le bouton "TIMER" (minuterie), puis sur les boutons +/- pour régler la durée de 0 à 24 heures, et enfin sur le bouton "TIMER" (minuterie).



Appuyez sur cette touche pour régler le taux d'humidité.



Ce déshumidificateur est équipé d'une pompe de purge automatique.

Appuyez sur le bouton "Drain" pour que la pompe vide automatiquement l'eau à l'intérieur du déshumidificateur.

CONSEILS DE FONCTIONNEMENT

REMARQUE : 1. lorsque le réglage de l'humidité est supérieur à l'humidité actuelle de la pièce, le compresseur ne fonctionne pas et le moteur du ventilateur continue de tourner. Il est conseillé de maintenir l'humidité entre 45 et 65 % est suggéré pour de meilleurs résultats.

REMARQUE : N'essayez JAMAIS de démarrer, d'arrêter et de redémarrer l'unité sans attendre au moins 3 minutes. Le non-respect de cette consigne peut endommager le compresseur et/ou provoquer une panne de l'unité.

2. L'appareil détecte automatiquement le moment où il doit entrer dans le cycle de DÉGIVRAGE, surtout dans les environnements à basse température. Pendant le cycle de dégivrage, l'indicateur "DEFROST" s'allume sur l'écran, le compresseur s'éteint et le moteur du ventilateur fonctionne jusqu'à ce que le cycle soit terminé. La pompe automatique intégrée évacue automatiquement l'eau.

3. Le temps de fonctionnement cumulé sur l'écran indique le nombre total d'heures de fonctionnement de l'appareil.

REMARQUE : Débranchez TOUJOURS l'appareil, enrroulez correctement le cordon d'alimentation et utilisez la prise de rangement de la fiche avant de le déplacer ou de le réparer. Utilisez uniquement le bouton "ON/OFF" pour allumer et éteindre l'appareil.

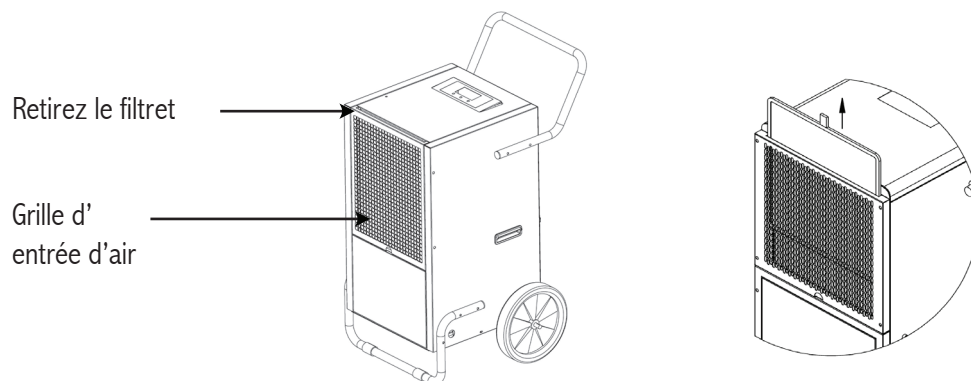
ENTRETIEN

REMARQUE : Le nettoyage périodique du filtre est nécessaire pour assurer le bon fonctionnement de l'appareil. Il doit être nettoyé au moins une fois par mois ou plus souvent dans des conditions très poussiéreuses. Le filtre à air peut être retiré en tirant doucement vers le haut sur la languette en tissu située près du sommet de l'appareil. Aspirez délicatement toutes les particules importantes du filtre, puis lavez le filtre dans de l'eau chaude savonneuse. Laissez le filtre sécher complètement avant de le remettre soigneusement dans son support.

REMARQUE : Ne pas mettre le filtre dans le lave-vaisselle.

AVERTISSEMENT Pour réduire le risque d'électrocution, débranchez toujours l'appareil avant de le réparer ou de le nettoyer. Ne pas immerger dans l'eau ou tout autre liquide.

- Débranchez l'appareil. À l'aide d'un chiffon ou d'une éponge humide, essuyez le boîtier, le panneau de commande et le cordon d'alimentation (si nécessaire).
- Le panneau d'évacuation doit simplement être dépoussiéré. Il ne doit pas être immergé dans l'eau.
- Aucune partie de l'appareil ne doit être placée dans un lave-vaisselle.
- Pour prolonger la durée de vie du filtre lorsque l'appareil n'est pas utilisé pendant une période prolongée, placez le filtre dans un sac en plastique fermé.



Pour retirer le filtre, tirez doucement vers le haut sur la languette en tissu située près du sommet de l'appareil.

ENTREPOSAGE

Si vous n'utilisez pas l'appareil pendant une période prolongée, veuillez le ranger en suivant les étapes suivantes :

(1) Nettoyez la maille du filtre.

IMPORTANT: L'évaporateur à l'intérieur de la machine doit sécher avant que l'unité ne soit emballée, afin d'éviter d'endommager les composants et de provoquer des moisissures. Suivez la procédure de purge du déshumidificateur décrite dans la section Fonctionnement du produit de ce guide d'utilisation.

(2) Enroulez soigneusement le cordon d'alimentation et placez-le à l'arrière du déshumidificateur.

(3) Rangez le déshumidificateur dans un endroit propre et sec.

DÉPANNAGE

Problème	Cause	Solution
Le déshumidificateur ne se met pas en fonction	1. Aucune alimentation	1. Branchez l'appareil à une prise de courant.
Débit d'air réduit ou mauvaise déshumidification efficace	1. L'entrée ou la sortie d'air peut être bloquée 2. Le filtre est peut-être bouché 3. Les portes ou les fenêtres de la pièce sont ouvertes 4. Fuite du système de réfrigération	1. Retirez toute obstruction observable et vérifiez que l'unité dispose d'un dégagement d'au moins 61 cm (24") de tous les côtés. 2. Nettoyez le filtre ou remplacez-le, si nécessaire. 3. Fermez les portes et les fenêtres 4. Consultez un technicien certifié ou contactez le service clientèle de Royal Sovereign
Fuites d'eau de l'unité	1. L'appareil peut être instable ou ne pas se tenir droit. 2. Le réservoir ou le tuyau de vidange est bouché	1. Assurez-vous que l'unité est stable et de niveau 2. Vérifiez le réservoir et le tuyau de vidange et éliminez les plis ou les obstructions

MESSAGES D'ERREUR

Vous trouverez ci-dessous les codes d'erreur possibles qui peuvent apparaître sur l'écran d'affichage du % d'HUMIDITÉ. Un entretien du déshumidificateur peut être nécessaire.

Code d'erreur	Problème
E2	Le capteur de température ambiante doit être remplacé
E3	Le capteur d'humidité peut devoir être remplacé
E4	Remplacement éventuel de la pompe à eau
E5	Sonde de dégivrage peut être remplacée

SPÉCIFICATIONS

Modèle	RDHC-150P
Tension et fréquence	115 V CA, 60 Hz
Capacité nominale	190 Pints/Day @ 95°F, 90% RH
	170 Pints/Day @ 90 °F, 90% RH
	150 Pints/Day @ 86°F, 80%RH
	85 Pints/Day @ 80°F, 60%RH
Type de drainage	Pompe automatique (5 m/16,4 pi.)
Portée du thermomètre	Adjustable
Portée de la température de fonctionnement	5-38°C (41-100.4°F)
Filtre lavable	Oui
Minuterie	1-24 heures
Zone d'application	150 m3 (1 600 pi. ca.)
Circulation d'air	649 m3/hre (382 CFM)
Réfrigérant	R410A
Dimensions	410 x 397 x 751 mm (16,2 po x 15,7 po x 29,6 po)
Poids net	42 kg (92.4 lbs)

GARANTIE

Royal Sovereign International, Inc. garantit que ce produit est exempt de tout défaut de matériel et de fabrication pendant une période d'un (1) an. Cette garantie s'applique uniquement à l'acheteur original.

Cette garantie ne couvre que les produits qui sont correctement installés, correctement entretenus et correctement utilisés conformément aux instructions fournies. Cette garantie limitée ne couvre pas les défaillances ou les difficultés de fonctionnement dues à l'usure normale, à un accident, à un abus, à une mauvaise utilisation, à une modification, à une mauvaise application, à une installation incorrecte ou à un entretien inadéquat et de service par vous ou par un tiers.

Les produits retournés ne seront pas acceptés sans un numéro d'autorisation de retour. Pour demander un numéro d'autorisation de retour, veuillez nous rendre visite à l'adresse www.royalsovereign.com. Tous les frais de transport pour le retour des produits ou pièces endommagés seront à la charge de l'acheteur. Retournez le produit défectueux, dans son emballage d'origine, à l'adresse ci-dessous.

Royal Sovereign International, Inc. exige une preuve raisonnable de la date d'achat auprès d'un détaillant ou d'un distributeur autorisé. Par conséquent, vous devez conserver votre reçu, votre facture, ou un chèque annulé de l'achat initial. La garantie limitée se limite à la réparation ou au remplacement des pièces qui s'avèrent défectueuses dans des conditions normales d'utilisation et d'entretien pendant la période de garantie.

Royal Sovereign International, Inc. (et ses sociétés affiliées) N'ASSURERONT AUCUNE RESPONSABILITÉ, QUELLE QU'EN SOIT la cause, à l'égard de l'acheteur ou d'un tiers, pour tout ce qui est particulier et indirect, LES DOMMAGES-INTÉRÊTS PUNITIFS, ACCESSOIRES OU CONSÉCUTIFS. Certains États n'autorisent pas l'exclusion ou la limitation des dommages accessoires ou indirects, de sorte que l'exclusion et la limitation susmentionnées Les limitations peuvent ne pas s'appliquer à vous.

ROYAL SOVEREIGN INTERNATIONAL, INC.

2 Volvo Drive Rockleigh, NJ 07647 USA

TEL : (201) 750-1020

info@royalsovereign.com

www.royalsovereign.com

RS INTERNATIONAL CANADA INC.

191 Superior Blvd., Mississauga, ON L5T 2L6 CANADA

TEL: (905) 461-1095

e-mail: ca.support@royalsovereign.com

www.royalsovereign.ca