

# OWNER'S MANUAL

COMMERCIAL DEHUMIDIFIER

**RDHC-110**



*Page en Français 17*

*Read and retain these instructions for future reference.*

*For any Customer Support needs, please choose the Support tab on*

***[www.royalsovereign.com](http://www.royalsovereign.com) (USA)***

***[www.royalsovereign.ca](http://www.royalsovereign.ca) (Canada)***

# COMMERCIAL DEHUMIDIFIER

Model RDHC-110

## INTRODUCTION

Thank you for purchasing the Royal Sovereign Commercial Dehumidifier. This manual will provide you with safety information, instructions for optimal use, and proper care and maintenance of your product. Please read this manual carefully before operating.

# CONTENTS

Page

---

Important Safety Instructions .....	4~5
Product View .....	6~7
Handle Installation .....	8~9
Product Operation .....	10~11
Maintenance .....	12
Machine Storage .....	12
Specifications .....	13
Error Messages .....	14
Trouble Shooting .....	15
Warranty .....	16
Página en Français .....	17

## IMPORTANT SAFETY INSTRUCTIONS

Read all instructions before use

**Your safety and the safety of others is very important.**

We have provided many important safety messages in this manual and on your appliance. Always read and obey all safety messages.

**⚠ This is the safety alert symbol. This symbol alerts you to potential hazards that can hurt you and others.**

All safety messages will follow the safety alert symbol and either the word "WARNING" or "CAUTION". These words mean:

**⚠ WARNING This symbol indicates the possibility of death or serious injury.**

**⚠ CAUTION This symbol indicates the possibility of injury or damage to property.**

**Basic safety precautions**

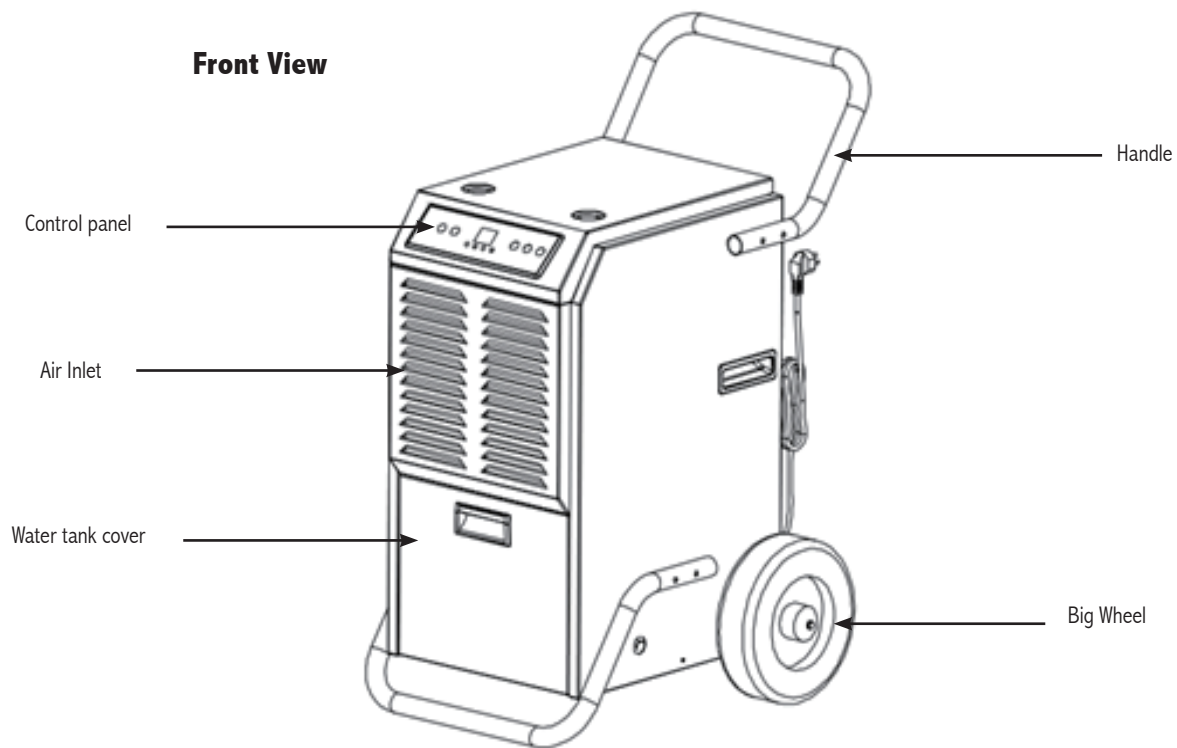
- ⚠ WARNING** To reduce the risk of fire, electric shock, or injury to persons when using this appliance, follow basic precautions, including the following:
- Do not attempt to repair or replace any part of your dehumidifier unless it is specifically recommended in this manual. All other services should be referred to a qualified technician.
  - If the power cord becomes worn or damaged, the cord should only be replaced by a qualified service technician using genuine replacement parts.
  - The dehumidifier should be plugged into its own grounded (13A, 60Hz, 115VAC circuit) .
  - Do not plug other appliances into the same outlet; it can overload the circuit and cause a fire or electric shock.
  - Do not remove the round grounding prong from the plug. It can result in the risk of electric shock.
  - This appliances is not designed for use by young children. Young children should be supervised to ensure that they do not play with or climb on the unit.
  - Be sure all packaging materials are removed from the appliances before use. It can result in personal injury.
  - Do not disassemble or modify the appliances or the power cord. It can result in the risk of electric shock or fire.
  - Do not place the power cord or appliances near a heater, radiator, or other heat source. It can result in the risk of electric shock or fire.
  - Do not use this or any appliance near flammable gases or liquids or other combustibles, such as gasoline, benzene, thinner, etc. It can result in the risk of electric shock or fire.
  - Make sure the power cord is plugged firmly and completely into the outlet. It can result in the risk of electric shock or fire.
  - Do not start or stop operation by plugging in or unplugging the power cord. It can result in the risk of electric shock.
  - If the appliances are making unusual sounds or is emitting smoke or an unusual odor, unplug it immediately. It can result in the risk of electric shock or fire.
  - Do not use if the electrical socket is loose or damaged. It can result in the risk of electric shock or fire.
  - Do not operate with wet hands or in a excessive damp environment. It can result in the risk of electric shock.
  - Do not use this or any electrical appliance if you smell gas. It can result in the risk of fire or explosion.
  - Turn off and unplug the appliances before cleaning to avoid the risk of electric shock.
  - Do not clean the unit with water. Water can enter the unit and damage the insulation, creating a shock hazard. If water enters the unit, unplug it immediately and contact Customer Service. It can result in the risk of electric shock.

**Basic safety precautions**

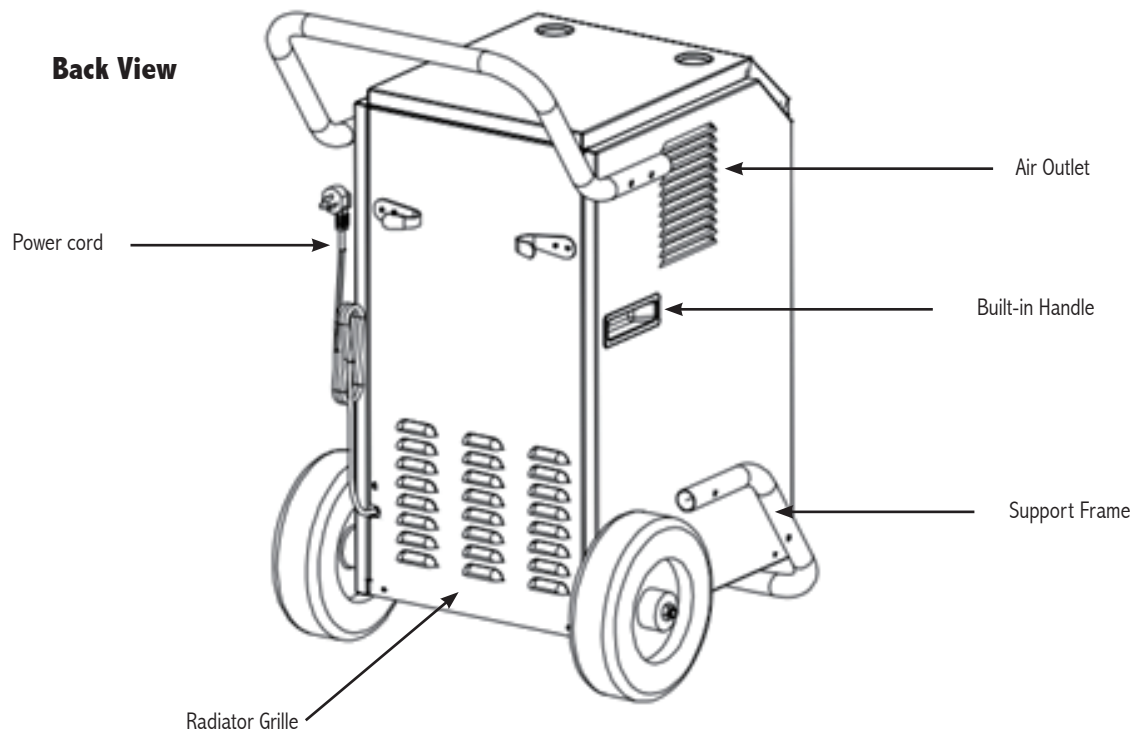
- ⚠ CAUTION** To reduce the risk of fire, electric shock, or injury to persons when using this appliances, follow basic precautions, including the following:
- To avoid possible cuts, avoid contacting the metal parts of the appliances when removing or re-installing the filter. It can result in the risk of personal injury.
  - Do not block the air inlet or outlet of the appliance. Reduced air flow will result in poor performance and could damage the unit.
  - Always grasp the plug when plugging in or unplugging the appliance. Never unplug by pulling on the cord. It can result in the risk of electrical shock and damage.
  - Always turn off and unplug the appliances when it will not be used for extended period of time. This conserves energy and reduces the chance of accidents.
  - Install the appliance on a sturdy, level floor capable of supporting up to 110 lbs (50 kg). Installation on a weak or unlevel floor can result in the risk of property damage and personal injury.
  - Make sure the appliance is the correct size for the area you wish to dehumid. Using an appliance that is the wrong size can waste energy and damage the unit.
  - Close all doors and windows to the room for most efficient operation.
  - To prevent damage to the surface finish, use only a soft cloth to clean the appliances. Do not use wax, thinner, or a strong detergent.
  - To prevent spills and property damage, be sure to drain the appliance properly.
  - Do not position the appliances so that pets or house plants are exposed to the direct air flow. It can result in the risk of injury to pets or house plants.
  - Do not drink the water from the bucket. Dispose of it properly outdoors or down the drain.
  - Do not operate appliance without the filter securely in place. Operation without the filter could damage the unit.
  - Clean the filter every two weeks, or more often if needed.
  - If you do not have a properly grounded outlet, or if there is any doubt that the outlet is not properly grounded, a qualified electrician should check the outlet and circuit, and, if necessary, install a properly grounded outlet.
  - This dehumidifier must be plugged into a grounded 60 Hz, 115 VAC outlet protected by a 13 amp time delay fuse or circuit breaker.
  - This dehumidifier must be installed in accordance with national wiring codes.

## Product View

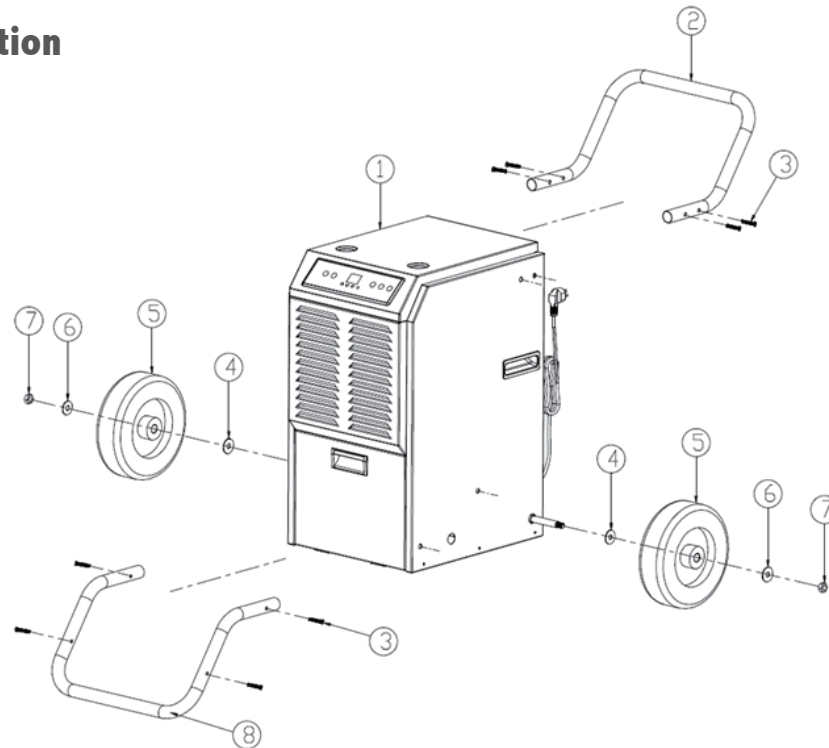
### Front View



**Back View**



## Handle Installation



❶ Main Body

❷ Handle

❸ Stainless Steel Bolt

❹ Spacer

❺ Wheel

❻ Spacer

❼ Nut

❽ Support Frame



## Dehumidification (using built in water tank)

- 1) When the tank is full, the "FULL" light will turn on and the unit will make a buzzing sound. Press the power button.
- 2) Open the front panel to access the water tank to empty the water tank.
- 3) Grab the handle of the water tank and pull it out horizontally.
- 4) Dispose of the water. Replace the tank, close the front panel.

## Continuous drainage

**Note:** In extremely wet conditions, the tank may need frequent clearing.

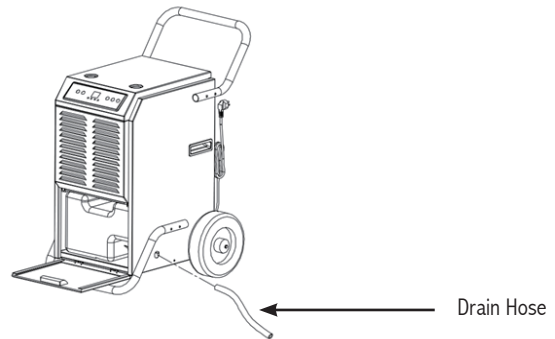
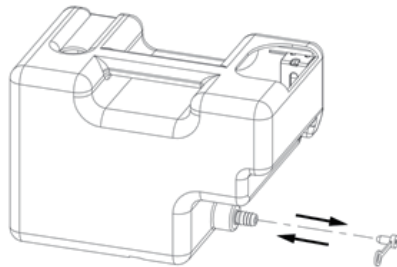
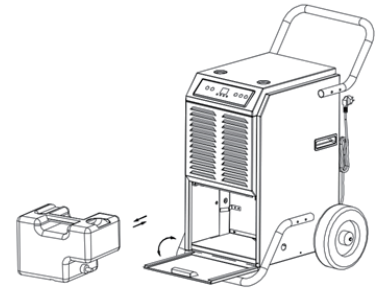
1. Open the front cover, remove the water tank, and dispose of any water from the tank.
2. Remove the plug and install the included drain pipe to the connector (refer to picture below).

Next, direct the pipe/hose to the desired area before operating the machine

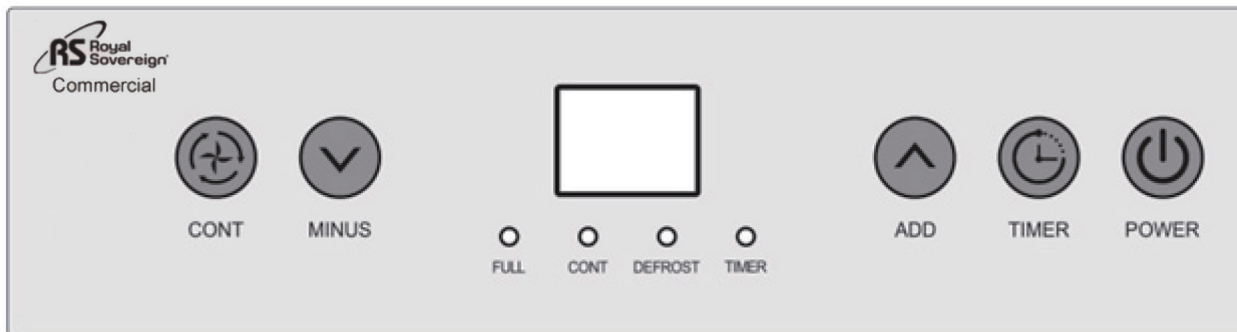
3. Clean the water tank, drain the hose and pipe connector. Close the front panel.

**NOTE:** To return to water tank usage, use the sealing washer, without the hole to stop water flowing out of the opening

**WARNING:** Do not block the drainage hose. The end of the drainage pipe should not be higher than the outlet hole. If the drainage pipe end is higher than the outlet hole, water will not drain properly and could possibly damage components of the unit.



## Product Operation



POWER

Press this button while the screen light is ON. The unit will automatically enter continuous mode. The display screen will show the environmental humidity and the compressor will be on. After the fan runs for about 3 seconds; press this button again. The compressor will stop and the display screen will show “- -”. The unit will be in standby mode with the fan running for another minute before stopping.



TIMER

Hold down this button for 3 seconds and release. The Timer light will turn 'ON'. Press “MINUS” and “ADD” (1-24) to set the start time. When the count down is over, the fan and compressor will start. To power off the unit, hold down this button until the button light powers ON. Press “MINUS and ADD “- -” to set the stop. When the time is complete, the fan and compressor will turn off. Press this button for 3 seconds to show the current temperature. After 10 seconds, the display will return to show the current humidity. Continue to hold this button to show the current temperature.



ADD

The humidity can be increased by increments of 5 %RH during normal mode. Hold this button for 1 second to increase the humidity.



The humidity can be decreased by increments of 5 %RH during normal mode. Hold this button for 1 second to decrease the humidity,

**Note:** 1) The default humidity is 50 %RH, with increase and decrease increments as outlined below:

20 %-25 %-30 %-35 %-40 %-45 %-50 %-55 %-60 %-65 %-70 %-75 %-80 %-85 %-90 %

2) Environmental and the unit set humidity will control the status of the unit's compressor and fan.

If the environmental humidity is  $\geq$  the machine set humidity +3 %, the compressor and fan will operate.

If the environmental humidity is  $<$  the machine set humidity +3 %, the compressor and fan will not operate.

Press the continue button for continuous mode or switch to normal dehumidification mode to set the humidity normally



During continuous mode, humidity setting is unavailable. The continuous mode light turns on and the screen will display the current humidity. Press this button to switch to normal mode where the humidity setting will be available.

## OPERATION

When the water tank is full, the water tank LED light will be red and an alarm will sound after 5 seconds. A buzzer sound beeps 15 times and the compressor and fan will shut off. Empty the water tank and restart. After the water tank is empty, the unit will automatically switch to its previous setting with the compressor will remain in a 3 minute self-protect state. The alarm will stop 3 seconds after the water tank is emptied and replaced. The fan and compressor will start again after 3 minutes.

**Note:** The compressor will not go into 'self-protect' mode, if it is the first time the unit has been used. Press "POWER" to restart the compressor.

The system has auto memory function. If there is sudden power cut during operation, or the power jack slips out, the unit will return to the previous setting.

## DEFROST FUNCTION

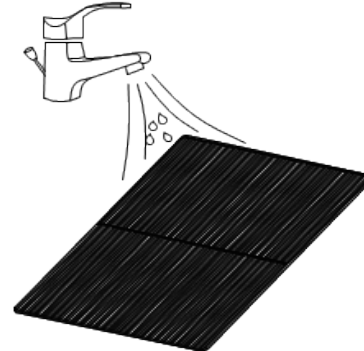
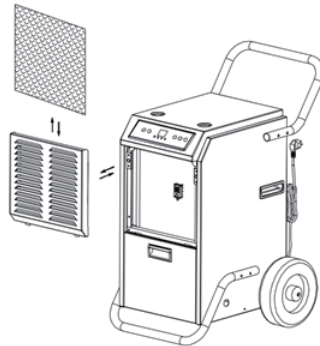
1) The compressor and fan will shut off automatically when the environmental temperature goes below 5°C (41 °F) or above 38°C (100.4°F).

2) Defrost requirement: The compressor will run for 30 minutes, Once the temperature sensor reaches -1°C ( $\leq 30.2^\circ\text{F}$ ) -lasting for 10 seconds, the compressor will stop and defrosting will begin. The fan will continue operation with the defrost light on. When the pipe temperature reaches 5°C (41°F) or the defrost function lasts for 15 minutes, the defrost function will stop.

**Note:** During defrost function the LED light will be on until defrosting is complete.

## Maintenance

- Clean the machine with a soft wet cloth.
- Pull the louver on the front panel out to access the filter.
- Remove the filter mesh out of the unit.
- Use a clean rag to adsorb the surface dust on the filter mesh. If the filter is extremely dirty, use tap water to flush and clean the filter. Fully dry the filter before putting it back into position. A clean filter will increase the machine's capacity.



## MACHINE STORAGE

If you don't use the unit for an extended period of time, please store it per the following steps:

- (1) Clean the filter mesh.

**IMPORTANT:** The evaporator inside the machine must to dry before the unit is packed as this will avoid component damage and possible mold.

Unplug the unit and place it in a dry open area for days to ensure it is completely dry. A second alternative to dry the unit is to set the humidity point more than 2% higher than the ambient humidity of the room. This will enable the fan inside the unit to dry the evaporator after a few hours of usage.

- (2) Neatly wind the power cord and place it at the back of unit.
- (3) Store the unit in a clean, dry environment.

## Specifications

<b>Model#</b>	RDHC-110
<b>Rated capacity</b>	140 Pints/ Day @ 95°F, 90% RH 127 Pints/ Day @ 90°F, 90% RH 110 Pints/ Day @ 86°F, 80% RH 70 Pints/ Day @ 80°F, 60% RH
<b>Power Consumption &amp; Current</b>	728W/ 6.75 A @ 86°F, 80% RH
<b>Noise</b>	≤60dB(A)
<b>Air Circulation</b>	450m <sup>3</sup> /hr (264.8 CFM)
<b>Freon type &amp; Capacity</b>	R410A/ 11.6Oz(330g)
<b>Recommended Room Size</b>	40-50m <sup>2</sup> (height 2.6m)
<b>Water tank capacity</b>	5.5L (1.45 Gallons)
<b>Net Weight</b>	36kg (79.3 lbs.)
<b>Gross Weight</b>	39.5kg (87 lbs.)
<b>Dimensions</b>	430*515*825mm (17.0" x 20.3" x 32.5")

## Error Messages

- (1) "E1": - This error message is displayed if the temperature sensor fails. The system works in cycles of dehumidification for 30 minutes and defrosting for 15 minutes. A failed temperature sensor should be replaced.
- (2) "E2": This error message is displayed if the humidity sensor fails. The humidity adjusting button will not work. The system works in cycles of dehumidification for 30 minutes and defrosting for 15 minutes. A failed temperature sensor should be replaced.
- (3) "CL": This error message shows when the room temperature is  $<5^{\circ}\text{C}$  ( $41^{\circ}\text{F}$ ). A "CL" code will be displayed and the unit will stop running.
- (4) "CH": This error message shows when the room temperature is  $>38^{\circ}\text{C}$  ( $100.4^{\circ}\text{F}$ ). A "CH" code will be displayed and the unit will stop running.
- (5) "LO": This error message shows when the room humidity  $<20\%RH$ . A "LO" code will be displayed and the unit will stop running.
- (6) "HI": This error message shows when the room humidity  $\geq 95\%RH$ . A "HI" code will be displayed and the unit will operate normally.

# TROUBLE SHOOTING

Problem	Cause	Solution
<b>Machine does not work</b>	Unit is not plugged in	Plug in the unit
	Room temperature is <5°C or above 35°C (<41°F, >95°F).	To protect the machine, use it only when ambient temperature is between 5 and 35 degrees.
<b>Machine runs but does not dehumidify</b>	The humidity set point is 2% higher than ambient humidity.	Reset the humidity to a lower set point .
<b>Reduced dehumidifier capacity</b>	Filter mesh is jammed	Clean the filter mesh
	Air-in and/or Air-out louvers jammed.	Clear the blockage of the Air-in and/or Air-out louvers.
<b>No air inlet</b>	Filter mesh or air-in louver jammed.	Clean filter according to instructions or clean the louver blockage
<b>Loud Operation</b>	Machine situated on an incline or decline slope	Move to a flat ground
	Filter mesh is jammed.	Clean filter mesh according to instructions

Cautions: Switch off the unit and unplug it immediately if anything abnormal happens. Contact a qualified electrician.

Do not dispose of electrical appliances as unsorted municipal waste, use separate collection facilities. Contact you local government for information regarding the collection systems available.



## WARRANTY

**Royal Sovereign International, Inc.** warrants this product to be free from defects in material and workmanship for a period of one (1) year. This warranty is extended to the original purchaser only.

This warranty only covers products that are properly installed, properly maintained, and properly operated in accordance with the instructions provided. This limited warranty does not cover any failures or operating difficulties due to normal wear and tear, accident, abuse, misuse, alteration, misapplication, improper installation, or improper maintenance and service by you or any third party.

Returned product will not be accepted without a Return Authorization number. To request a Return Authorization number, please visit us at [www.royalsovereign.com](http://www.royalsovereign.com). All transportation costs for the return of damaged product or parts will be the responsibility of the purchaser. Return defective product, in original packaging, to the address below.

Royal Sovereign International, Inc. requires reasonable proof of your date of purchase from an authorized retailer or distributor. Therefore, you should keep your receipt, invoice, or canceled check from the original purchase. The limited warranty shall be limited to the repair or replacement of parts which prove defective under normal use and service within the warranty period.

Royal Sovereign International, Inc. (and its affiliated companies) SHALL HAVE NO LIABILITY WHATSOEVER TO PURCHASER OR ANY THIRD PARTY FOR ANY SPECIAL, INDIRECT, PUNITIVE, INCIDENTAL, OR CONSEQUENTIAL DAMAGES. Some states do not allow the exclusion or limitation of incidental or consequential damages so the above exclusion and limitations may not apply to you.

### **ROYAL SOVEREIGN INTERNATIONAL, INC.**

2 Volvo Drive Rockleigh, NJ 07647 USA

TEL : +1) 800-397-1025

FAX : +1) 201-750-1022

[www.royalsovereign.com](http://www.royalsovereign.com)

### **RS INTERNATIONAL CANADA INC.**

191 Superior Blvd., Mississauga, ON L5T 2L6 CANADA

TEL: +1) 905-461-1095 TF: +1) 866-961-6673

FAX: +1) 905-461-1096

[www.royalsovereign.ca](http://www.royalsovereign.ca)



# GUIDE D'UTILISATION

**DÉSHUMIDIFICATEUR COMMERCIAL**

**RDHC-110**



*Lisez et conservez ces instructions pour référence future.  
Pour tout besoin d'assistance à la clientèle, veuillez cliquer sur l'onglet Assistance sur  
[www.royalsovereign.com](http://www.royalsovereign.com) (États-Unis)  
[www.royalsovereign.ca](http://www.royalsovereign.ca) (Canada)*

**Royal Sovereign International Inc.**

# DÉSHUMIDIFICATEUR COMMERCIAL

Modèle RHDC-110

## INTRODUCTION

Merci d'avoir acheté le déshumidificateur commercial de Royal Sovereign. Ce guide d'utilisation vous fournira des informations de sécurité, des instructions pour une utilisation optimale, ainsi que des soins et un entretien appropriés de votre produit. Veuillez lire attentivement ce guide avant d'utiliser l'appareil.

# **CONTENTS**

Page

---

Instructions de sécurité importantes.....	20~21
Survol du produit.....	22~23
Installation.....	24~25
Fonctionnement du produit.....	26~27
Entretien.....	28
Entreposage de l'appareil.....	28
Spécifications.....	29
Error Messages.....	30
Messages d'erreu.....	31
GARANTIE.....	32

## INSTRUCTIONS DE SÉCURITÉ IMPORTANTES

**Veillez lire et comprendre les instructions**

**Votre sécurité et celle des autres est très importante.**

Nous avons fourni de nombreux messages de sécurité importants dans ce guide d'utilisation et sur votre appareil. Lisez et respectez toujours tous les messages de sécurité.

**⚠ Ceci est le symbole d'avertissement de sécurité. Ce symbole vous avertit des dangers potentiels qui peuvent vous blesser, vous et les autres.** Tous les messages de sécurité suivent le symbole d'alerte de sécurité et le mot "AVERTISSEMENT" ou "ATTENTION". Ces mots signifient :

**⚠ AVERTISSEMENT Ce symbole indique la possibilité de mort ou de blessures graves.**

**⚠ ATTENTION Ce symbole indique la possibilité de blessures ou de dommages matériels.**

**Précautions de sécurité de base**

**⚠ AVERTISSEMENT** Pour réduire les risques d'incendie, d'électrocution ou de blessures aux personnes lors de l'utilisation de cet appareil, suivez les précautions de base, notamment les suivantes :

- N'essayez pas de réparer ou de remplacer une pièce de votre déshumidificateur à moins que cela ne soit spécifiquement recommandé dans ce guide d'utilisation. Tous les autres services doivent être confiés à un technicien qualifié.
- Si le cordon d'alimentation est usé ou endommagé, il ne doit être remplacé que par un technicien qualifié utilisant des pièces de rechange d'origine.
- Le déshumidificateur doit être branché à sa propre prise de terre (circuit 13 A, 60 Hz, 115 V CA).
- Ne branchez pas d'autres appareils dans la même prise; ceci pourrait surcharger le circuit et provoquer un incendie ou une électrocution.
- Ne retirez pas la broche de mise à la terre ronde de la fiche. Cela peut entraîner un risque d'électrocution.
- Cet appareil n'est pas conçu pour être utilisé par de jeunes enfants. Les jeunes enfants doivent être surveillés pour s'assurer qu'ils ne jouent pas avec l'appareil et qu'ils ne grimpent pas dessus.
- Assurez-vous que tous les matériaux d'emballage sont retirés des appareils avant de les utiliser. Cela peut entraîner des blessures corporelles.
- Ne pas démonter ou modifier les appareils ou le cordon d'alimentation. Cela peut entraîner un risque d'électrocution ou d'incendie.
- Ne placez pas le cordon d'alimentation ou les appareils près d'un radiateur, d'un radiateur ou d'une autre source de chaleur. Cela peut entraîner un risque d'électrocution ou d'incendie.
- N'utilisez pas cet appareil ou tout autre appareil à proximité de gaz ou de liquides inflammables ou d'autres combustibles, tels que l'essence, le benzène, le diluant, etc. Cela peut entraîner un risque d'électrocution ou d'incendie.
- Assurez-vous que le cordon d'alimentation est branché fermement et complètement dans la prise. Cela peut entraîner un risque d'électrocution ou d'incendie.
- Ne pas démarrer ou arrêter le fonctionnement en branchant ou débranchant le cordon d'alimentation. Cela peut entraîner un risque d'électrocution.
- Si les appareils émettent des sons inhabituels ou de la fumée ou une odeur inhabituelle, débranchez-les immédiatement. Cela peut entraîner un risque d'électrocution ou d'incendie.

- Ne pas utiliser si la prise électrique est desserrée ou endommagée. Cela peut entraîner un risque d'électrocution ou d'incendie.
- Ne pas utiliser avec les mains mouillées ou dans un environnement excessivement humide. Cela peut entraîner un risque d'électrocution.
- N'utilisez pas cet appareil ou tout autre appareil électrique si vous sentez une odeur de gaz. Cela peut entraîner un risque d'incendie ou d'explosion.
- Mettez l'appareil hors fonction et débranchez l'appareil avant de le nettoyer pour éviter tout risque d'électrocution.
- Ne nettoyez pas l'appareil à l'eau. L'eau peut pénétrer dans l'appareil et endommager l'isolant, créant ainsi un risque d'électrocution. Si de l'eau pénètre dans l'appareil, débranchez-le immédiatement et contactez le service à la clientèle. Cela peut entraîner un risque d'électrocution.

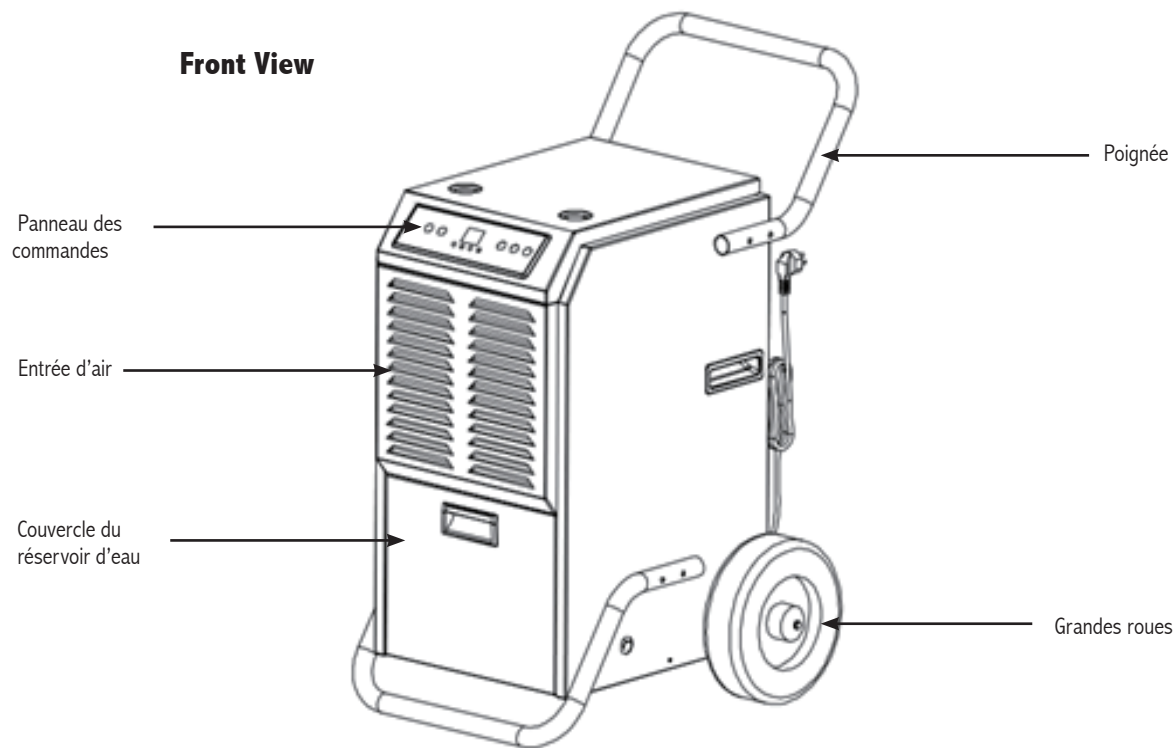
### **Précautions de sécurité de base**

**⚠ AVERTISSEMENT** Pour réduire les risques d'incendie, d'électrocution ou de blessures aux personnes lors de l'utilisation de cet appareil, suivez les précautions de base, notamment les suivantes :

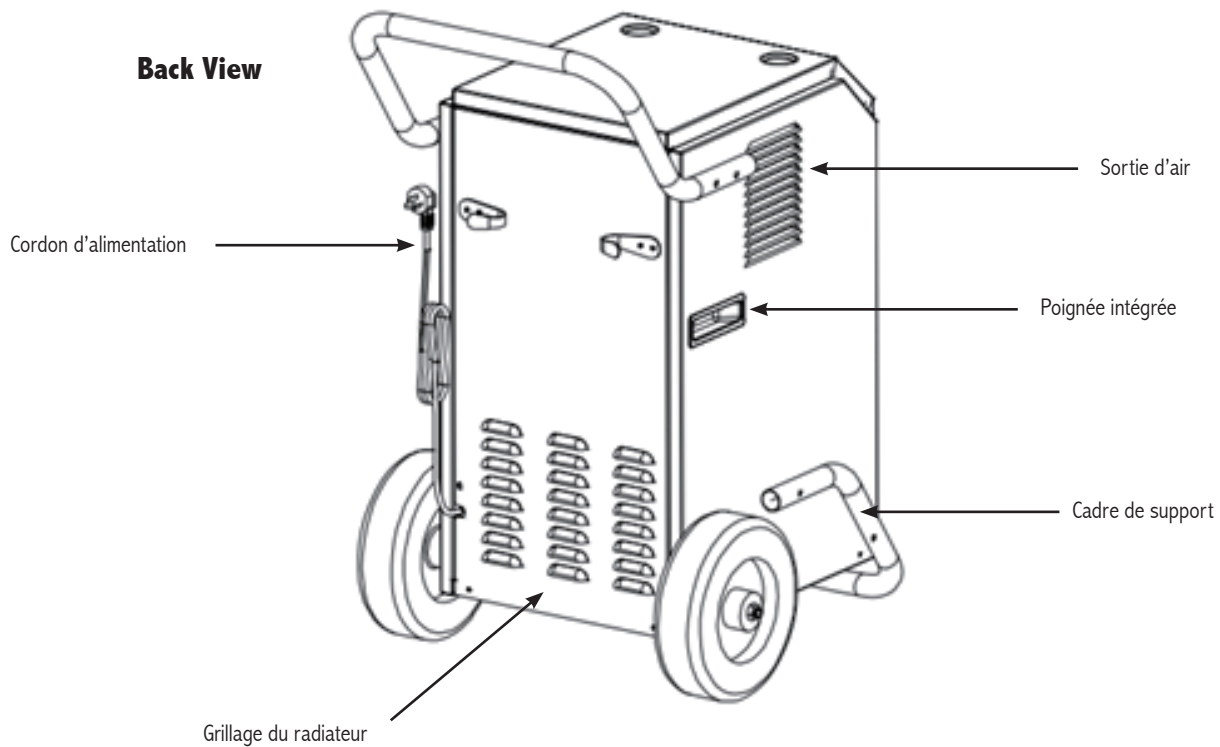
- Ne bloquez pas l'entrée ou la sortie d'air de l'appareil. Un débit d'air réduit entraînera un mauvais rendement et pourrait endommager l'appareil.
- Saisissez toujours la fiche lorsque vous branchez ou débranchez l'appareil. Ne jamais débrancher en tirant sur le cordon. Cela peut entraîner des risques d'électrocution et d'endommagement.
- Toujours éteindre et débrancher les appareils lorsqu'ils ne seront pas utilisés pendant une période prolongée. Cela permet d'économiser de l'énergie et de réduire les risques d'accidents.
- Installez l'appareil sur un plancher solide et plat pouvant supporter jusqu'à 110 lb (50 kg). L'installation sur un plancher faible ou dénivélé peut entraîner des risques de dommages matériels et corporels.
- Assurez-vous que l'appareil est de la bonne taille pour la zone que vous souhaitez déshumidifier. L'utilisation d'un appareil de mauvaise taille peut entraîner un gaspillage d'énergie et endommager l'appareil.
- Fermez toutes les portes et fenêtres de la pièce pour un fonctionnement plus efficace.
- Pour éviter d'endommager l'état de surface, utilisez uniquement un chiffon doux pour nettoyer les appareils. Ne pas utiliser de cire, de diluant ou de détergent fort.
- Pour éviter les déversements et les dommages matériels, assurez-vous de bien vidanger l'appareil.
- Ne pas placer les appareils de façon à ce que les animaux domestiques ou les plantes d'intérieur soient exposés au flux d'air direct. Cela peut entraîner des risques de blessures pour les animaux de compagnie ou les plantes d'intérieur.
- Ne buvez pas l'eau du seau. Éliminez-le correctement à l'extérieur ou dans les égouts.
- Ne pas faire fonctionner l'appareil si le filtre n'est pas bien en place. Le fonctionnement sans filtre peut endommager l'appareil.
- Nettoyer le filtre toutes les deux semaines, ou plus souvent si nécessaire.
- Si vous n'avez pas de prise de courant correctement mise à la terre, ou s'il y a un doute à ce sujet, un électricien qualifié devrait vérifier la prise de courant.
- et, si nécessaire, installez une prise de courant correctement mise à la terre. Ce déshumidificateur doit être branché dans une prise de courant de 60 Hz, 115 V CA. mise à la terre et protégée par un fusible temporisé de 13 A ou un disjoncteur.
- Ce déshumidificateur doit être installé conformément aux codes de câblage nationaux.

## Product View

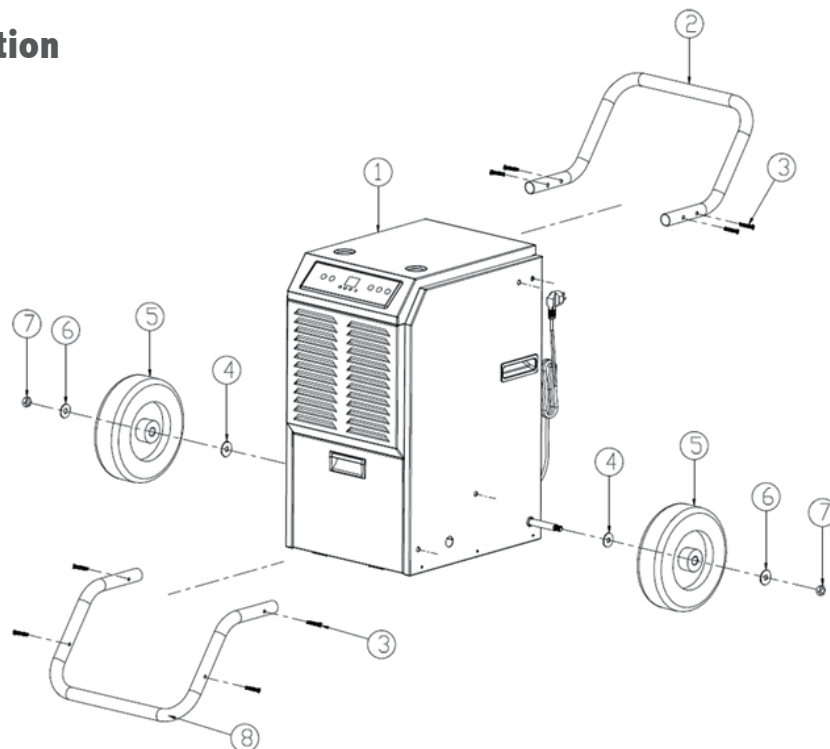
### Front View



**Back View**



## Handle Installation



- |                     |              |                             |                    |
|---------------------|--------------|-----------------------------|--------------------|
| ① Boîtier principal | ② Poignée    | ③ Boulon d'acier inoxydable | ④ Séparateur       |
| ⑤ Roue              | ⑥ Séparateur | ⑦ Écrou                     | ⑧ Cadre de support |



## Déshumidification (à l'aide d'un réservoir d'eau intégré)

- 1) Lorsque le réservoir est plein, le voyant "FULL" s'allume et l'appareil émet un bourdonnement. Appuyez sur le bouton d'alimentation.
- 2) Ouvrez le panneau avant pour accéder au réservoir d'eau et vider le réservoir d'eau.
- 3) Saisissez la poignée du réservoir d'eau et tirez-la horizontalement.
- 4) Jetez l'eau. Remplacez le réservoir, fermez le panneau avant.

## Drainage continu

**Remarque :** Dans des conditions extrêmement humides, le réservoir peut avoir besoin d'être nettoyé fréquemment.

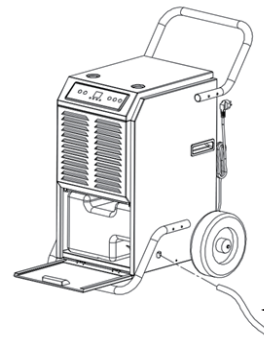
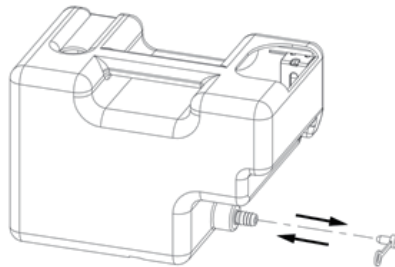
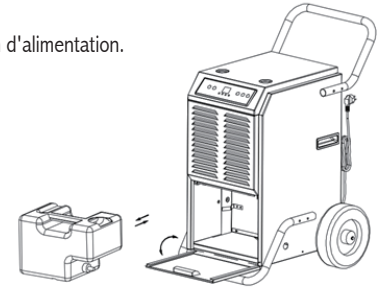
1. Ouvrez le couvercle avant, retirez le réservoir d'eau et jetez l'eau du réservoir.
2. Retirez le bouchon et installez le tuyau de vidange fourni sur le raccord (voir l'illustration ci-dessous).  
Dirigez ensuite le tuyau/le boyau flexible vers la zone souhaitée avant d'utiliser l'appareil.
3. Nettoyez le réservoir d'eau, vidangez le tuyau et le raccord de tuyau. Fermez le panneau avant.

**REMARQUE :** Pour revenir à l'utilisation du réservoir d'eau, utiliser la rondelle d'étanchéité, sans le trou pour empêcher l'eau de s'écouler par l'ouverture.

## AVERTISSEMENT :

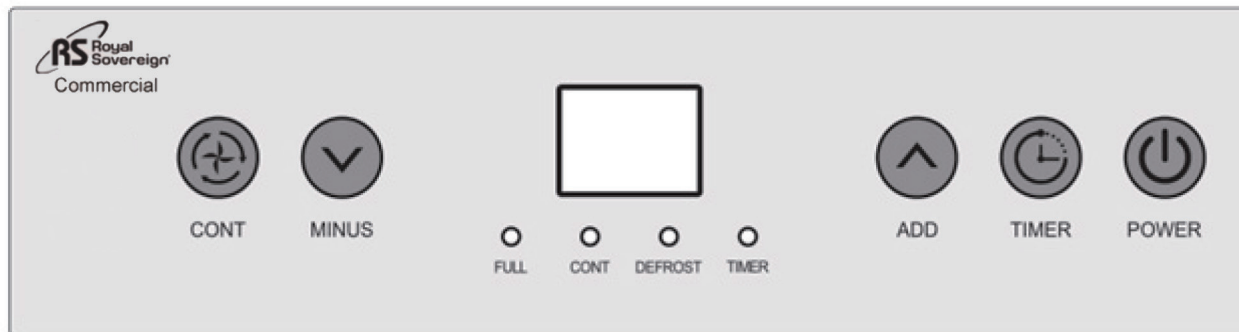
est plus haute que le trou de sortie, l'eau ne s'évacuera pas correctement et pourrait endommager les composants de l'appareil.

Ne bloquez pas le tuyau de drainage. L'extrémité du tuyau de drainage ne doit pas être plus haute que le trou de sortie. Si l'extrémité du tuyau de drainage



Boyau de vidange

## Fonctionnement du produit



Appuyez sur cette touche lorsque la lumière de l'écran est allumée. L'appareil passe automatiquement en mode continu. L'écran d'affichage affichera l'état de l'environnement l'humidité et le compresseur sera en marche. Une fois que le ventilateur fonctionne pendant environ 3 secondes, appuyez à nouveau sur cette touche. Le compresseur s'arrête et l'appareil s'arrête. L'écran affiche "- -". L'appareil est en mode veille et le ventilateur fonctionne encore une minute avant de s'arrêter.



Maintenez ce bouton enfoncé pendant 3 secondes et relâchez. Le voyant de la minuterie s'allume. Appuyez sur "Moins" et "ADD" (1-24) pour régler l'heure de début. Quand le compte à rebours est terminé, le ventilateur et Pour éteindre l'appareil, maintenez ce bouton enfoncé jusqu'à ce que le voyant du bouton s'allume. Appuyez sur "Moins" et "AJOUTER" pour régler la butée. Quand le temps est écoulé, le ventilateur et le compresseur s'arrêtent. Appuyez sur cette touche pendant 3 secondes pour afficher la température actuelle. Après 10 secondes, la touche reviendra pour afficher l'humidité actuelle. Maintenez cette touche enfoncée pour afficher la température actuelle.



L'humidité peut être augmentée par incréments de 5 %HR en mode normal. Maintenez ce bouton enfoncé pendant 1 seconde pour augmenter l'humidité.



L'humidité peut être diminuée par incréments de 5 %HR en mode normal. Maintenez ce bouton enfoncé pendant 1 seconde pour diminuer l'humidité.

**Remarque :** 1) L'humidité par défaut est de 50 %HR, avec des incréments d'augmentation et de diminution comme indiqué ci-dessous :

20 %-25 %-30 %-35 %-40 %-45 %-50 %-55 %-60 %-65 %-70 %-75 %-80 %-85 %-90 %

2) L'humidité de l'environnement et l'humidité réglée de l'unité contrôleront l'état du compresseur et du ventilateur de l'unité.

Si l'humidité ambiante est  $\geq$  l'humidité réglée de la machine +3 %, le compresseur et le ventilateur fonctionneront.

Si l'humidité ambiante est  $<$  l'humidité réglée de la machine +3 %, le compresseur et ne fonctionnera pas.

If the environmental humidity is  $\geq$  the machine set humidity +3%, the compressor and fan will operate.

If the environmental humidity is  $<$  the machine set humidity +3%, the compressor and will not operate.

Appuyez sur la touche continue pour le mode continu ou passez en mode de déshumidification normal pour régler l'humidité normalement.



En mode continu, le réglage de l'humidité n'est pas disponible. Le voyant du mode continu s'allume et l'écran affiche l'humidité actuelle. Appuyez sur Cette touche permet de passer en mode normal où le réglage de l'humidité est disponible.

## FONCTIONNEMENT

Lorsque le réservoir d'eau est plein, le voyant du réservoir d'eau est rouge et une alarme se déclenche après 5 secondes. Un signal sonore retentit 15 fois et le compresseur émet un signal sonore. et le ventilateur s'arrêtera. Videz le réservoir d'eau et redémarrez. Une fois le réservoir d'eau vide, l'appareil revient automatiquement à son réglage précédent à l'aide de la touche Le compresseur restera dans un état d'autoprotection de 3 minutes. L'alarme s'arrête 3 secondes après que le réservoir d'eau a été vidé et remplacé. Le ventilateur et Le compresseur redémarre après 3 minutes.

**Remarque :** Le compresseur ne passe pas en mode "autoprotection" si c'est la première fois que l'appareil est utilisé. Appuyez sur "POWER" pour redémarrer le compresseur.

Le système dispose d'une fonction de mémoire automatique. En cas de coupure soudaine de courant pendant le fonctionnement, ou si la prise d'alimentation glisse, l'appareil s'éteindra.revenir au réglage précédent.

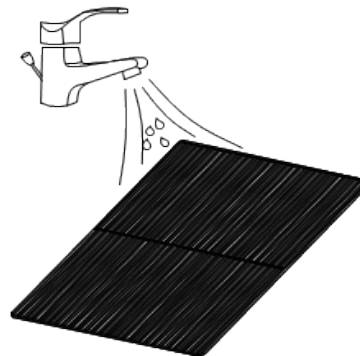
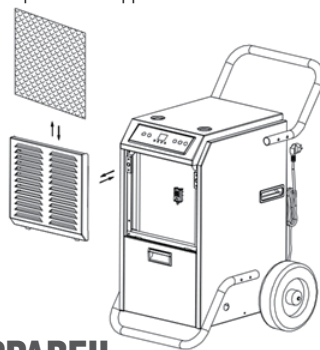
## FONCTION DE DÉCONGÉLATION

- 1) Le compresseur et le ventilateur s'arrêtent automatiquement lorsque la température ambiante est inférieure à 5 °C (41 °F) ou supérieure à 38 °C (100,4 °F).
- 2) Exigence de dégivrage : Le compresseur fonctionnera pendant 30 minutes. Une fois que la sonde de température atteint -1°C ( $\leq 30.2^{\circ}\text{F}$ ) -durée de 10 secondes, l'icône le compresseur s'arrête et le dégivrage commence. Le ventilateur continue de fonctionner avec le voyant de dégivrage allumé. Lorsque la température de la conduite atteint 5 °C (41 °F) ou la fonction de dégivrage dure 15 minutes, la fonction de dégivrage s'arrête.

**Remarque :** Pendant la fonction de dégivrage, le voyant DEL s'éteint jusqu'à ce que le dégivrage soit terminé.

## Entretien

- Nettoyez la machine avec un chiffon doux et humide.
  - Tirez la persienne du panneau avant pour accéder au filtre.
  - Retirez la maille du filtre de l'appareil.
  - Utilisez un chiffon propre pour adsorber la poussière de surface sur les mailles du filtre. Si le filtre est extrêmement sale, utilisez l'eau du robinet pour rincer et nettoyer le filtre. Séchez complètement le filtre avant de le remettre en place.
- Un filtre propre augmente la capacité de l'appareil.



## ENTREPOSAGE DE L'APPAREIL

Si vous n'utilisez pas l'appareil pendant une période prolongée, veuillez le ranger en suivant les étapes suivantes :

- (1) Nettoyer les mailles du filtre.

**IMPORTANT :** L'évaporateur à l'intérieur de la machine doit sécher avant d'emballer l'unité car cela évitera d'endommager les composants et d'éventuels moisissures. Débranchez l'appareil et placez-le dans un endroit sec et ouvert pendant des jours pour vous assurer qu'il est complètement sec. Une deuxième alternative pour sécher l'appareil est de régler le point d'humidité supérieure de plus de 2 % à l'humidité ambiante de la pièce. Ceci permettra au ventilateur à l'intérieur de l'appareil de sécher l'évaporateur après quelques heures d'utilisation.

- (2) Enroulez soigneusement le cordon d'alimentation et placez-le à l'arrière de l'appareil.
- (3) Entreposer l'appareil dans un endroit propre et sec.

## Spécifications

<b>Modèle</b>	RDHC-110
<b>Capacité nominale</b>	140 pintes/jour @ 95°F, 90 % HR 127 pintes/jour @ 90°F, 90 % HR 110 pintes/jour @ 86°F, 80 % HR 70 pintes/jour @ 80°F, 60 % HR
<b>Consommation électrique et courant</b>	728 W/ 6,75 A @ 86°F, 80 % RH
<b>Bruit</b>	≤60 dB (A)
<b>Circulation de l'air</b>	450 m3/hr (264.8 CFM)
<b>Type et capacité de fréon</b>	R410A/ 11,6 on. (330 g)
<b>Taille de pièce recommandée</b>	40-50 m2 (hauteur 2,6 m)
<b>Capacité du réservoir d'eau</b>	5,5 litres (1,45 gallons)
<b>Poids net</b>	36 kg (79,3 lb)
<b>Poids brut</b>	39,5 kg (87 lb)
<b>Dimensions</b>	430 x 515 x 825 mm (17,0 x 20,3 po x 32,5 po)

## Messages d'erreur

- (1) "E1" : - Ce message d'erreur s'affiche en cas de défaillance de la sonde de température. Le système fonctionne par cycles de déshumidification de 30 minutes et de 30 minutes, décongeler pendant 15 minutes. Une sonde de température défectueuse doit être remplacée.
- (2) "E2" : Ce message d'erreur s'affiche en cas de défaillance du capteur d'humidité. Le bouton de réglage de l'humidité ne fonctionne pas. Le système fonctionne en cycles de déshumidification pendant 30 minutes et décongélation pendant 15 minutes. Une sonde de température défectueuse doit être remplacée.
- (3) "CL" : Ce message d'erreur indique que la température ambiante est  $<5^{\circ}\text{C}$  ( $41^{\circ}\text{F}$ ). Un code "CL" s'affiche et l'appareil s'arrête de fonctionner.
- (4) "CH" : Ce message d'erreur indique que la température ambiante est  $>38^{\circ}\text{C}$  ( $100,4^{\circ}\text{F}$ ). Un code "CH" s'affiche et l'appareil s'arrête de fonctionner.
- (5) "LO" : Ce message d'erreur s'affiche lorsque l'humidité ambiante est inférieure à 20 % HR. Un code "LO" s'affiche et l'appareil s'arrête de fonctionner.
- (5) "HI" : Ce message d'erreur s'affiche lorsque la chambre humidity  $\geq 95$  %RH. Un code "HI" s'affiche et l'appareil fonctionne normalement.

## DÉPANNAGE

Problème	Cause	Solution
<b>L'appareil ne fonctionne pas</b>	L'appareil n'est pas branché	Branchez l'appareil.
	Température ambiante <5°C ou supérieure à 35°C (<41°F, >95°F).	Pour protéger la machine, ne l'utilisez que lorsque la température ambiante est comprise entre 5 et 35 degrés
<b>L'appareil fonctionne mais ne déshumidifie pas</b>	The humidity set point is 2% higher than ambient humidity.	Réinitialiser l'humidité de l'air à un point de consigne inférieur. Nettoyez les mailles du filtre.
<b>Capacité de déshumidification réduite</b>	Les mailles du filtre sont coincées.	Dégagez l'obstruction des grilles d'entrée et/ou de sortie d'air.
	Lamelles d'entrée et/ou de sortie d'air bloquées.	Dégagez l'obstruction des lamelles d'entrée et/ou de sortie d'air.
<b>Pas d'entrée d'air</b>	Lamelles d'entrée et/ou de sortie d'air bloquées.	Nettoyer le filtre selon les instructions ou nettoyer l'obstruction des lamelles.
<b>Fonctionnement bruyant</b>	L'appareil est placé sur une surface en pente inclinée ou en pente descendante.	Déplacez l'appareil sur une surface plane.
	Filtre en maille coincé.	Nettoyer les mailles du filtre selon les instructions.

Précautions : Eteignez l'appareil et débranchez-le immédiatement en cas d'anomalie. Contactez un électricien qualifié.  
Ne pas jeter les appareils électriques avec les déchets municipaux non triés, utiliser des installations de collecte séparées.

Communiquez avec votre administration locale pour obtenir des renseignements sur les systèmes de collecte disponibles.



## GARANTIE

**Royal Sovereign International, Inc.** garantit ce produit contre tout défaut de matériau et de fabrication pour une période d'un (1) an. Cette garantie est étendue aux acheteur d'origine seulement.

Cette garantie ne couvre que les produits qui sont correctement installés, correctement entretenus et utilisés conformément aux instructions fournies. Cette garantie limitée ne couvrent pas les défaillances ou les difficultés de fonctionnement dues à l'usure normale, à un accident, à un abus, à une mauvaise utilisation, à une modification, à une mauvaise application, à une mauvaise installation ou à un mauvais entretien et par vous ou par un tiers.

Les produits retournés ne seront pas acceptés sans numéro d'autorisation de retour. Pour demander un numéro d'autorisation de retour, veuillez nous rendre visite à [www.royalsovereign.com](http://www.royalsovereign.com).

Tous les frais de transport pour le retour d'un produit endommagé ou de pièces détachées seront à la charge de l'acheteur. Retournez le produit défectueux, dans son emballage d'origine, à l'adresse ci-dessous.

Royal Sovereign International, Inc. exige une preuve raisonnable de votre date d'achat auprès d'un détaillant ou distributeur autorisé. Par conséquent, vous devez conserver votre reçu, votre facture, ou chèque annulé de l'achat original. La garantie limitée se limite à la réparation ou au remplacement des pièces qui s'avèrent défectueuses dans des conditions normales d'utilisation et d'entretien dans les délais suivants la période de garantie.

Royal Sovereign International, Inc. (et ses sociétés affiliées) N'AURONT AUCUNE RESPONSABILITÉ EN CE QUI CONCERNE L'ACHETEUR OU TROISIÈME PARTIE POUR TOUTE PART PART SPÉCIALE, INDIRECTE, DOMMAGES-INTÉRÊTS PUNITIFS, ACCESSOIRES OU INDIRECTS. Certains États n'autorisent pas l'exclusion ou la limitation des dommages accessoires ou indirects, de sorte que l'exclusion et la limitation susmentionnées ne sont pas applicables. les limitations peuvent ne pas s'appliquer à vous.

### **ROYAL SOVEREIGN INTERNATIONAL, INC.**

2 Volvo Drive Rockleigh, NJ 07647 USA

TEL : +1) 800-397-1025

FAX : +1) 201-750-1022

[www.royalsovereign.com](http://www.royalsovereign.com)

### **RS INTERNATIONAL CANADA INC.**

191 Superior Blvd., Mississauga, ON L5T 2L6 CANADA

TEL: +1) 905-461-1095 TF: +1) 866-961-6673

FAX: +1) 905-461-1096

[www.royalsovereign.ca](http://www.royalsovereign.ca)