

SPEC SHEET: T6XPP

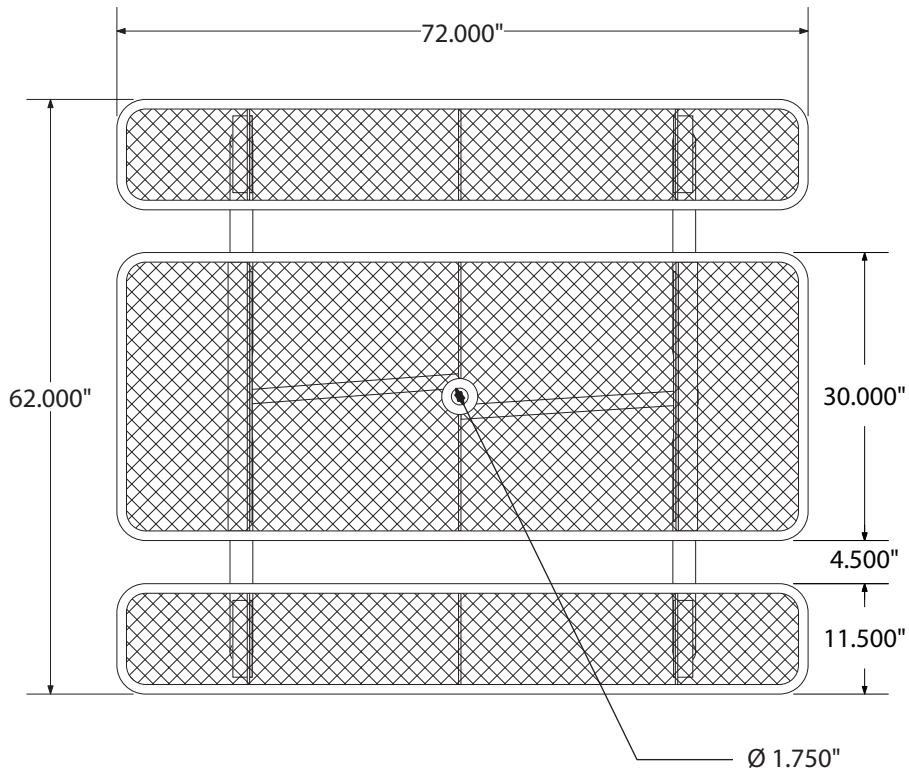
6' STD EXP PICNIC TABLE PORTABLE

Wt. 210 lbs

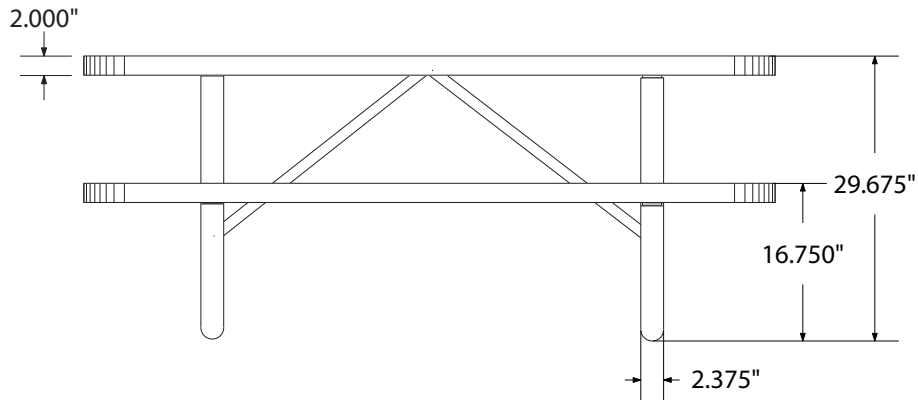
photo



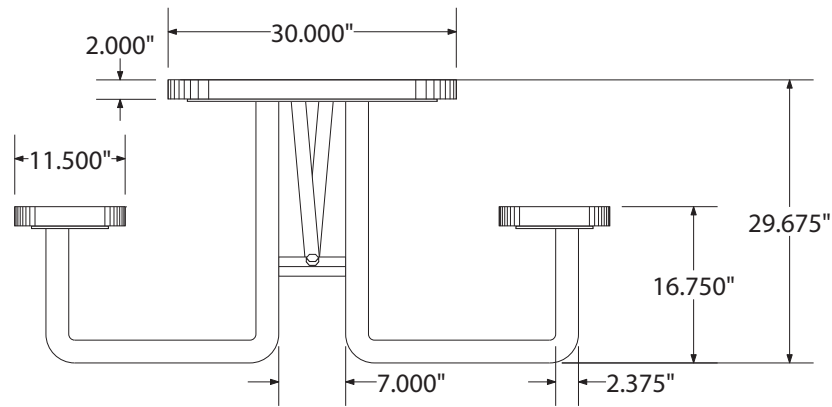
top view



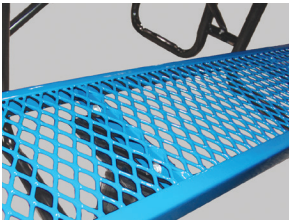
front view



side view



product details



Coated Surfaces:

- Thermoplastic coated
- Copolymer-based, environmentally safe
- Does not fade, crack, peel or warp
- Applied at a thickness of 25-30 mils.
- 5 Year warranty on coating



Construction:

- Seats and tops - 9 gauge steel
- 2 3/8" tubular understructure
- Understructure - galvanized

mounting types

P = Portable : no mount

SM = Surface Mount:
concrete anchors
through discs welded
to legs

IG= In-Ground:
J-rods set in concrete
through tabs welded
to legs

