

**SPEC SHEET: B6XPP**

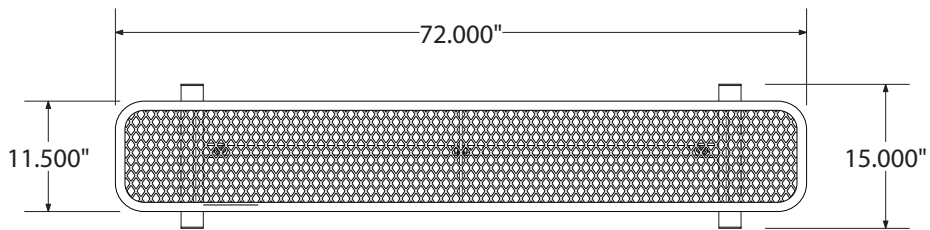
**6' STANDARD EXPANDED BENCH WITHOUT BACK** *PORTABLE*

**Wt. 76 lbs**

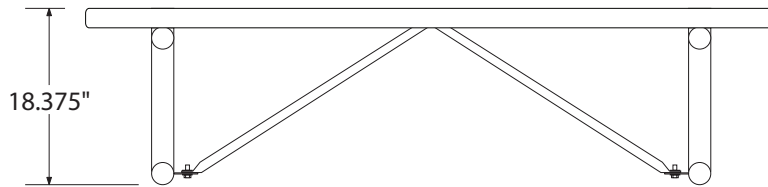
*photo*



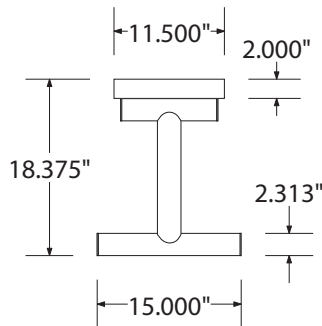
*top view*



*front*



*side view*



**product finish**



- Coated Surfaces:**
- Thermoplastic coated
  - Copolymer-based, environmentally safe
  - Does not fade, crack, peel warp
  - Applied at a thickness of 25-30 mils.
  - 5 Year warranty on coating



- Construction:**
- Seats and tops - 9 gauge steel
  - 2" tubular understructure
  - Understructure - galvanized steel
  - Understructure finish - black polyester powder coated
  - Nuts, washers and bolts - galvanized steel

## mounting types

P = Portable : no mount

SM = Surface Mount:  
concrete anchors  
through discs welded  
to legs

IG= In-Ground:  
J-rods set in concete  
through discs welded  
to legs [1] or long legs  
with flatbar terminators  
set in concrete [2]

