

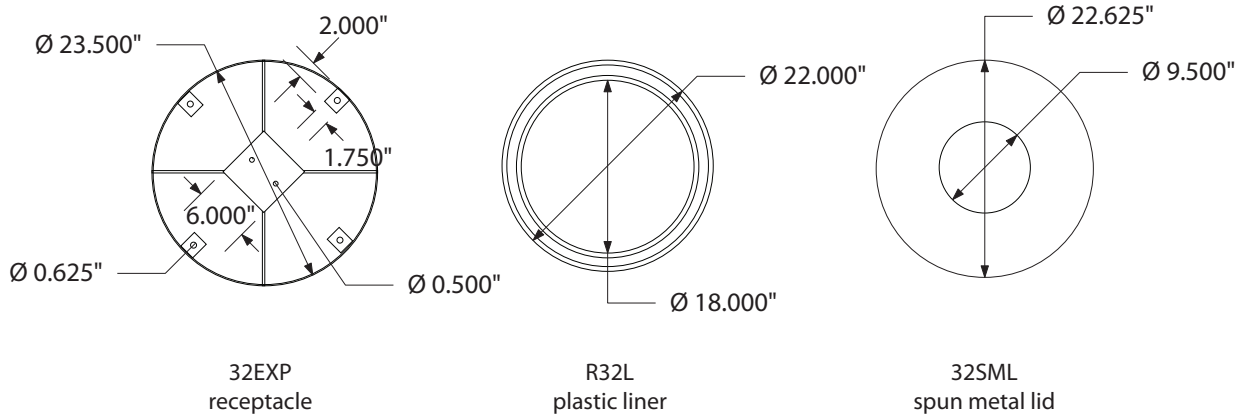
SPEC SHEET: 32EXPLNSML

32 GALLON EXPANDED RECEPTACLE/LINER/LID *portable*
photo

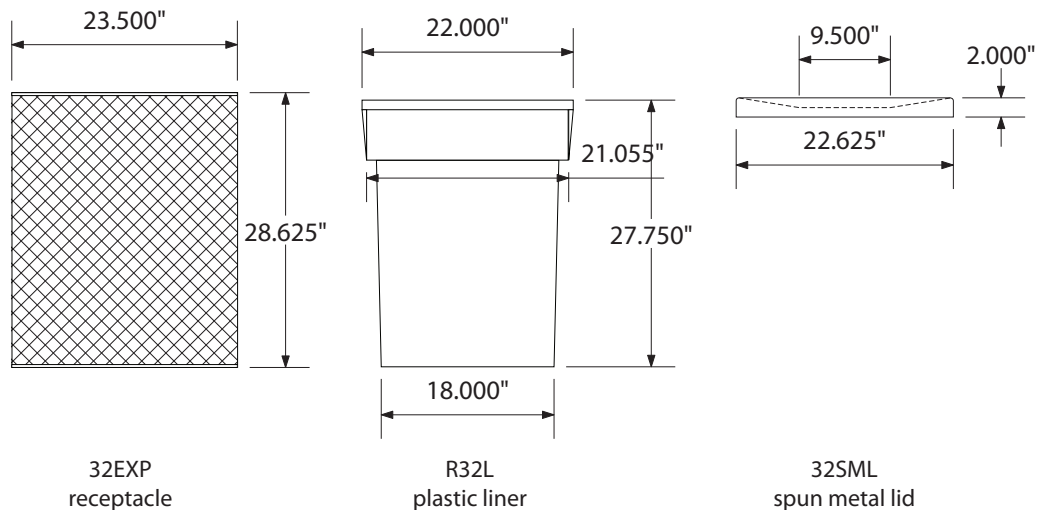
Wt. 70 lbs



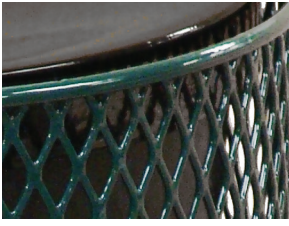
top view



front



product finish



Coated Surfaces:

- Thermoplastic coated
- Copolymer-based, environmentally safe
- Does not fade, crack, peel or warp
- Applied at a thickness of 25-30 mils.
- 5 Year warranty on coating



Construction:

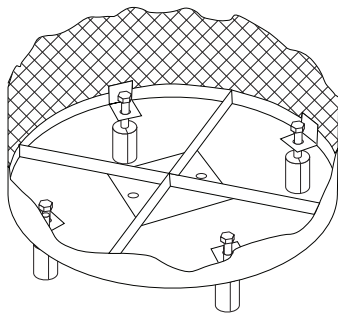
- receptacle: 9 gauge steel expanded metal with 1/2" mild steel rod for rims
- Liner - black polyethylene plastic
- Lid - 11 gauge steel with thermoplastic coating

mounting types

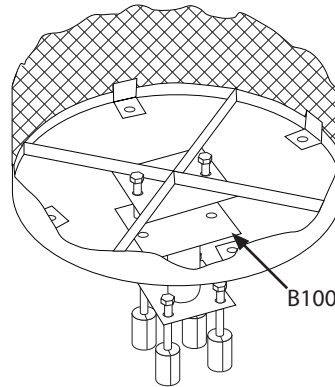
P = Portable : no mount

SM = Surface Mount:
concrete anchors
through tabs welded
to rims, or at 6" center
plate to B100 above
ground mount

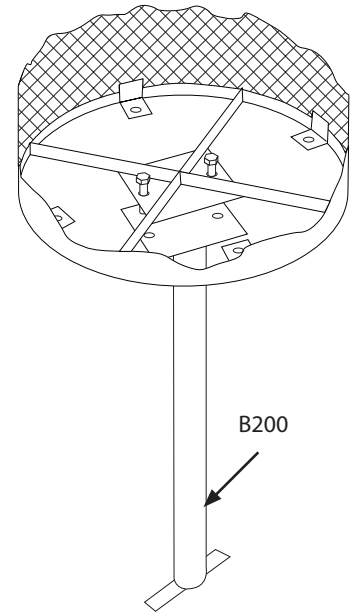
IG= In-Ground:
bolts attach
at 6" center plate
to B200
receptacle
mount imbedded in
concrete



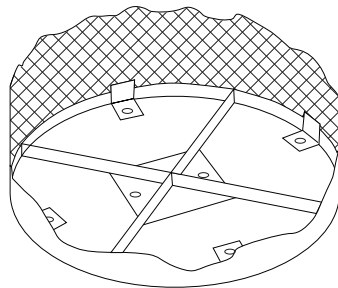
surface mount



above ground mount
[B100]



in-ground mount
[B200]



portable