

dapol 00/H0 TRACKSIDE MODEL C090: REGENT TANKER

Made in the UK
using recycled plastic

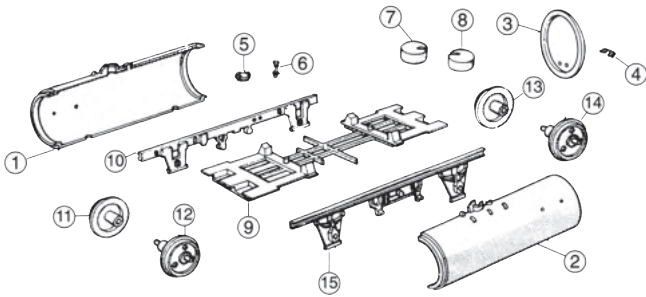


Not suitable for
children under 14 years old

Please Note - The tools used to produce this model were made over 50 years ago. Over the period, changes have been made and it may be that reference numbers moulded into the plastic parts do not match the numbers used in these instructions. Therefore we advise you to FOLLOW the exploded diagram and instructions.

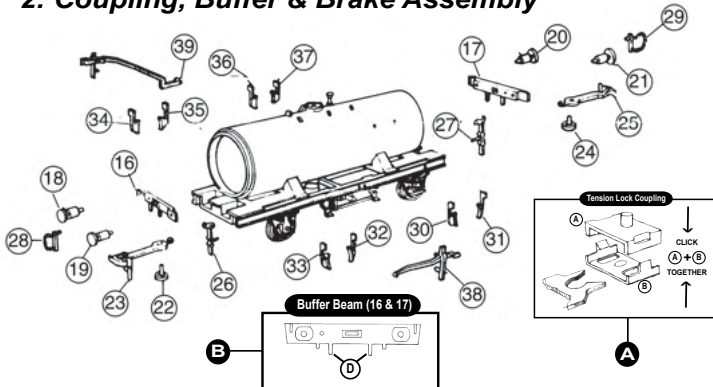
ASSEMBLY INSTRUCTIONS: It is recommended that the instructions and exploded view are studied, the various individual parts identified and that assembly is practised before cementing together. We recommend that all parts are painted (see Section 4) and left to dry before attempting assembly.

1: Tank Body, Underframe & Wheel Assembly



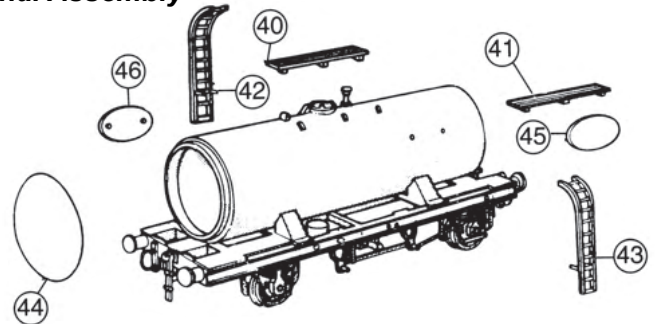
1. Cement together the two halves of the tank body (1 & 2)
2. Locate and cement end cap (3) in position on body.
3. Locate and cement end valve (4) into locating holes in cap (3).
4. Cement manhole cover (5) in place on body; note this can either be fixed in the open or shut position as required.
5. Locate and cement screw down valve (6) into locating hole on top of tank body then place assembly aside to dry.
6. Locate vacuum brake cylinders (7 & 8) on shorter cross-beams of underframe (9) and cement.
7. Cement sole bar (10) into position on underframe, in line with crossbeams of underframe (9).
8. Apply cement to axle pins of wheels (12 & 14) and press into axle holes of the other two wheels (11 & 13). Check the wheels run true.
- 8a. If preferred, use the metal wheels (supplied in kit).
9. Locate and cement second sole bar (15) to underframe (9), at same time locating wheels in the holes inside each axle box.

2: Coupling, Buffer & Brake Assembly



10. Locate and cement buffer beams (16 & 17) to ends of underframe (9).
 11. Cement buffers (18 - 21) into locating holes on buffer beams.
 12. The model can be fitted with Dapol tension-lock couplings, buckeye couplings or scale non-working couplings.
 13. For non-working couplings, cement locating lugs of scale couplings (26 & 27) into central slots of buffer beams.
 14. For tension-lock couplings see inset diagram. Clip coupling converter (A) onto retainer (B) ensuring that clips click into place and that end of small shouldered pin on inside of converter fits into hole in centre of retainer. Push forked end of coupling into slot between converter & retainer. Take care that coupling is pushed in from side closest to shouldered pin & that forked end clicks securely into place around this pin & that coupling is the right way up. Remove the two pieces of plastic that project down from the buffer beams (16 & 17) with a sharp knife. Deposit some cement into mounting hole on underframe just behind buffer beam & push large pin on top of converter into hole.
 15. Repeat procedure for coupling assembly at other end.
 16. For buckeye coupling, insert pivot pin (22) through hole in coupling (23) and cement into locating bush beneath underframe.
- ENSURE NO CEMENT COMES INTO CONTACT WITH COUPLING**
17. Repeat this procedure for other coupling (24 & 25). Connect the two buckeye couplings by fitting a rubber band onto the small hooks on the back of each coupling; this will give a working spring action.
 18. Cement vacuum brake pipes (28 & 29) into locating holes in buffer beams.
 19. Next, locate and cement in position the brake shoes (30 -37). These are positioned on the inside of the sole bars, on either side of the axle box frames. Ensure that the brake shoes are aligned with the wheels.
 20. Locate and cement pins of nearside brake lever (38) to sole bar, the lower pin locating in hole of brake hanger and the upper pin into sole bar.
 21. Similarly locate and cement in position offside brake lever (39). In this case the lower pin cements into hole on inside of brake hanger.

3: Final Assembly

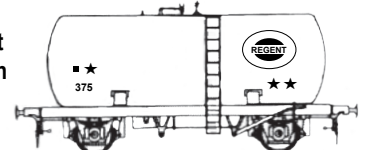


22. Cement tank barrel to underframe locations.
23. Locate and cement catwalk platforms (40 & 41) into slots on either side of manhole.
24. Locate pins of ladders (42 & 43) into locations on sole bars and cement to sole bars and platforms.
25. Cement pins of sign plates (44 & 45) into locating holes in barrel sides.
26. If the model is to be a working model it should now be tested on track. If ballast weight is required this should be inserted in the tank barrel and the remaining end cap (46) cemented into place.

4: Colour Scheme

27. To apply transfers first cut the sheet into separate subjects. Then dip each in warm water for a few minutes. Slide off backing sheet and apply to wagon in position shown. Allow to dry.

28. COLOURS: Matt Black: Complete wagon apart from:-
Gunmetal: Buffer Heads and Red: Extreme ends of axle boxes.



WARRANTY: Parts can get bent during transit or by prolonged storage.

However misshapen parts can be straightened by placing them in hot water to soften the plastic and then carefully manipulating them back into shape by finger pressure. Please be careful that the water does not cause harm to skin or fingers. In the event of parts being broken or missing, then you MUST return to the place of purchase (the seller). The seller will replace your kit and return the original kit to Dapol under their agreed contractual terms. Do NOT return to Dapol. Finally please note that Dapol does not keep individual parts for any kit.