

dapol 00/HO TRACKSIDE MODEL

C088: SCHOOLS - K WIMBLEDON

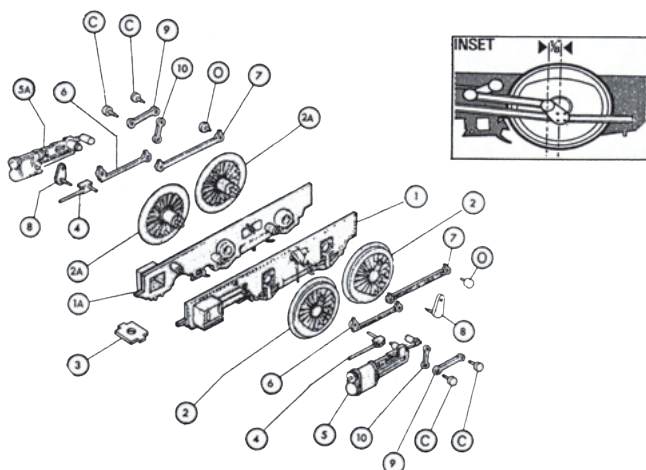
Made in the UK
using recycled plastic



Not suitable for
children under 14 years old

Please Note - The tools used to produce this model were made over 50 years ago. Over the period, changes have been made and it may be that reference numbers moulded into the plastic parts do not match the numbers used in these instructions. Therefore we advise you to FOLLOW the exploded diagram and instructions.

1: Driving Wheel Assembly



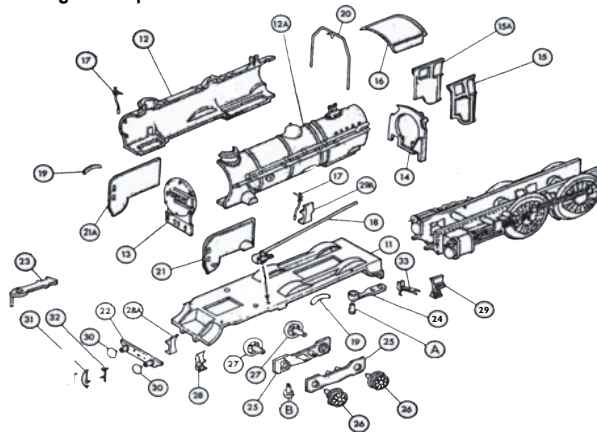
1. Cement locating pins onto mainframe (1) and press opposite mainframe (1A) into place.
2. Push driving wheel socket halves (2) through axle holes in mainframe. Repeat with driving wheel pin halves (2A) into other mainframe.
3. Cement pins on axles and press halves together. NOTE - 'D' shaped axles should interlock. Check that wheels rotate freely.
4. Cement pivot plate (3) into position between location points on mainframe below cylinder blocks.
5. Place slide on outside of piston rod and cross head (4) between slide bars of cylinder (5). NOTE - Piston Rod is engaged in slot on cylinder & cover. When assembled, crosshead should slide back and forward along the back of the slidebars.
6. Slide hole in cracked end of Con-Rod (6) onto pin at rear end of crosshead (4). NOTE - Oil Box is to the top & Flutes are to the outside. DO NOT CEMENT.
7. Cement location pins on slide bar (5) & to cylinder block on mainframe. Press cylinder assembly into position. NOTE - Pin on rear end of crosshead slides between ribs mounted on mainframe. DO NOT CEMENT THIS PIN.
8. Push pin (O) through hole in thick end of coupling rod (7) & cement pin into crank pin hole of rear driving wheel. NOTE - Oil Box is to the top & flutes are to the outside.
9. Push pin of eccentric crank (8) through remaining holes of con-rod (6) & coupling rod (7) in that order & cement pin into crankpin hole of leading driving wheel. SEE INSET for position.
10. Repeat operations 6 to 10 to opposite side. Check that wheels rotate freely.
11. Push pin (C) through hole at thick end of eccentric rod (9) & cement pin into hole of eccentric crank (8). NOTE - Flutes are to the outside.
12. Push another pin (C) through thick end of eccentric rod (9) & cement into hole of expansion link (10).
13. Push remaining hole of expansion link (10) onto pin at rear end of slide bars. DO NOT CEMENT THIS PIN. Note - the expansion link hangs downwards.
14. Repeat operations 12 - 14 to opposite side.

2: Body & Bogie Assembly

15. Cement top edges of mainframes & press into position on underside of foot plate (11). NOTE - Pins on which the expansion links pivot fit inside retaining plates under each side of foot plate.
16. Cement boiler halves (12 & 12A) together, applying cement to entire edge of one boiler half.
17. Cement nameplates (19) and apply to splashers above main driving wheels.
18. Cement boiler into position on top of foot plate.
19. Cement outside edge of boiler front (13) and attach to boiler and foot plate.
20. Cement rear end of boiler and bottom edge of cab front (14) & apply to rear end of boiler.
21. Cement cab sides (15 & 15A) and roof (16) into position on foot plate.
22. Cement pins of valve & pipe (17) and push into holes on boiler sides. NOTE - end of pipe locates into hole in foot plate.

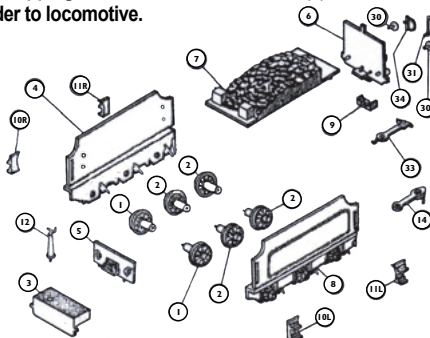
ASSEMBLY INSTRUCTIONS: It is recommended that the instructions and exploded view are studied, the various individual parts identified and that assembly is practised before cementing together.

23. Cement reversing lever (18) into foot plate into position on left-hand side.
24. Cement whistle and steam pipe (20) into holes at rear end of boiler.
25. Cement bottom edge of smoke deflector plates (21 & 21A) and apply to projection plate on side of boiler. NOTE - Bending is to the outside.
26. Cement front edge of foot plate and mainframes and push buffer beam (22) into position. NOTE - Top of beam is level with top of foot plate.
27. Cement groove on front stretcher pin of bogie side frames (25). Push recessed end of coupling (23) into groove. NOTE - The pin on opposite end of coupling should point downwards.
28. Cement three stretchers on remaining bogie frame and press together.
29. Push bogie wheel pin halves (26) through axle holes in bogie frame. Repeat with bogie wheel socket halves (27) on opposite side. Apply cement to pins and press halves together. Check that wheels rotate freely.
30. Mount leading bogie assembly to locomotive via pivot pin (B). Push pin through gap between locating pins and cement into hole in pivot plate.
31. Cement top edge of steps (28 & 28A) and fix onto plate under front end of locomotive, level with side of foot plate. NOTE - Steps are right-hand and left-hand mounted.
32. Cement pin on rear face of rear left-hand loco step (29) and put to hole in centre of steam ejector pipes (33). Apply cement to top of steps (29 & 29A) and cement into position at rear of locomotive, level with side of foot plate.
33. Cement buffers (30) to buffer beam (22) and then cement vacuum pipe (31) and heater pipe (32) into position between the buffers.
34. Push pin (A) through hole in large boss of coupling (24) and cement into housing under rear end of engine foot plate.



3: Tender Assembly

35. Cement wheels (1 & 2) together. 36. Cement foot plate (3) to tender side (8). NOTE - bottom of foot plate rests on inside ledge of side.
37. Apply cement to bottom edge and right-hand side of tender front (4). Press into position on foot plate and tender side, rear face against pips on tender side.
38. Cement rear edge of tender back (6) to rear end of tender top (7).
39. Apply cement to right-hand edge and underside of front edge of tender top (7) and apply to side (4). NOTE - front end of part (7) rests on top of tender front (5) and rear edge of part (6) butts against tender back (5).
40. Push the stub axles of tender wheels into axle holes inside of tender and cement opposite tender side (8) into place.
41. Cement top edges of steps (10L/R & 11L/R) and fix into position under tender sides. NOTE - Steps are right-hand and left-hand mounted.
42. Cement handbrake (12) into hole on foot plate.
43. Cement buffers (30) to buffer beam on rear of tender and then cement vacuum pipe (31) and heater pipe (34) into position between the buffers.
44. Align coupling part (33) over coupling (14) and push over boss in coupling clamp (9) before finally clipping to underside of tender rear (6).
45. Couple tender to locomotive.



WARRANTY: Parts can get bent during transit or by prolonged storage. However misshapen parts can be straightened by placing them in hot water to soften the plastic and then carefully manipulating them back into shape by finger pressure. Please be careful that the water does not cause harm to skin or fingers. In the event of parts being broken or missing, then you **MUST** return to the place of purchase (the seller). The seller will replace your kit and return the original kit to Dapol under their agreed contractual terms. Do **NOT** return to Dapol. Finally please note that Dapol does not keep individual parts for any kit.