

# dapol

00/H0 TRACKSIDE MODEL  
C025: COUNTRY INN

Made in the  
UK using recycled plastic



Not suitable for  
children under 14 years old



**Please Note** - The tools used to produce this model were made over 50 years ago. Over the period, changes have been made and it may be that reference numbers moulded into the plastic parts do not match the numbers used in these instructions. Therefore we advise you to FOLLOW the exploded diagram and instructions.

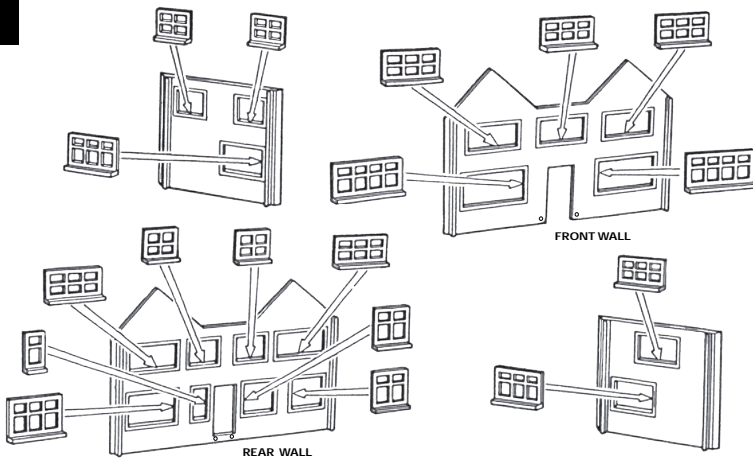
**ASSEMBLY INSTRUCTIONS:** It is recommended that the instructions and exploded view are studied and that the assembly is practiced before cementing together. Certain parts may need to be trimmed and may best be painted before cementing.

**WARRANTY:** Parts can get bent during transit or by prolonged storage. However misshapen parts can be straightened by placing them in hot water to soften the plastic and then carefully manipulating them back into shape by finger pressure. Please be careful that the water does not cause harm to skin or fingers.

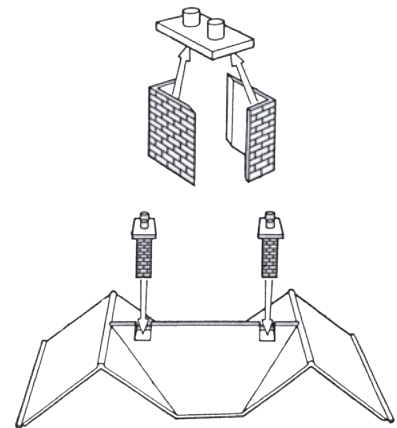
In the event of parts being broken or missing, then you **MUST** return to the place of purchase (the seller). The seller will replace your kit and return the original kit to Dapol under their agreed contractual terms. Do **NOT** return to Dapol.

Finally please note that Dapol does not keep individual parts for any kit.

1



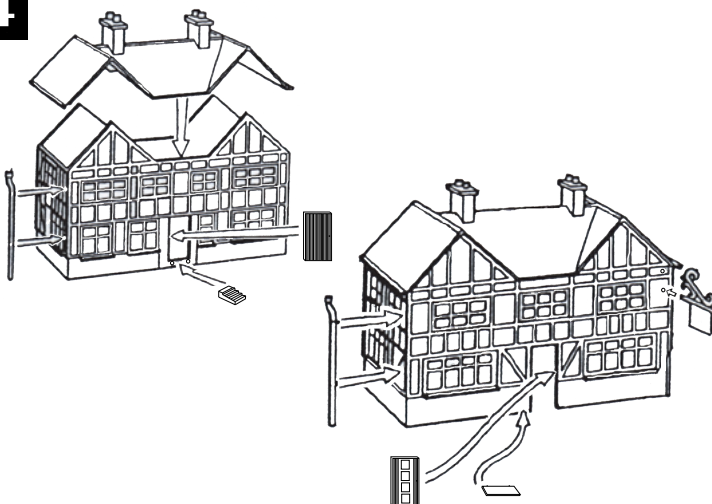
2



3



4



**1:** Identify all walls and noting that all four walls are different.

**2:** Identify all windows and cement windows into the correct corresponding positions within the walls. Allow to dry.

**3:** Identify and cement both chimney sections and cement as shown.

**4:** Cement completed chimneys into the locations on the roof.

**5:** Cement all four walls together as shown - and identifying their correct positions together.

**6:** Cement the finished roof into place.

**7:** Cement the rear door and steps into place on the rear wall and then cement the drainpipe onto the side wall as shown.

**8:** Cement the front door and small step into place on the front wall and then cement the drainpipe onto the side wall as shown.

**9:** Locate the projecting signboard and cement into place on the upper right side of the front wall using the locating holes for reference.

The signboard can actually be positioned in various locations by making small pilot holes into the front wall and cementing as normal.

**10:** Finally, cut the supplied graphic sheet as needed and glue the graphic into place on the signboard using any non-spirit adhesive (i.e. PVA glue).