

dapol 00/H0 TRACKSIDE MODEL C021: BUNGALOW

Made in the UK
using recycled plastic

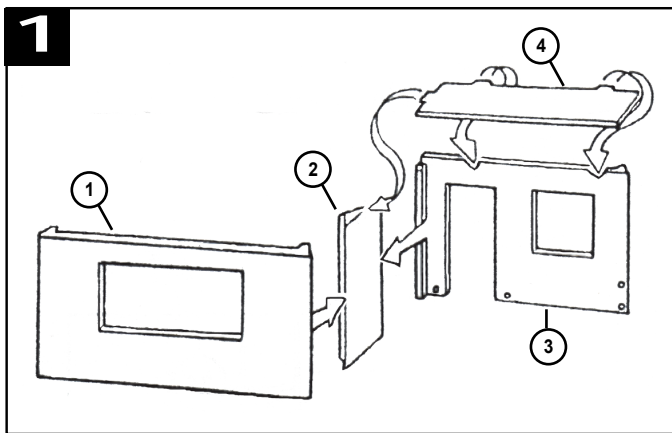
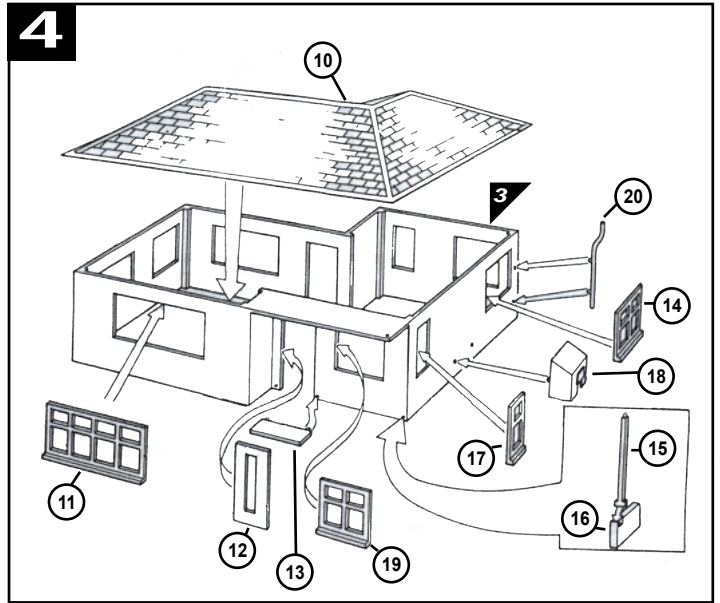


Not suitable for
children under 14 years old

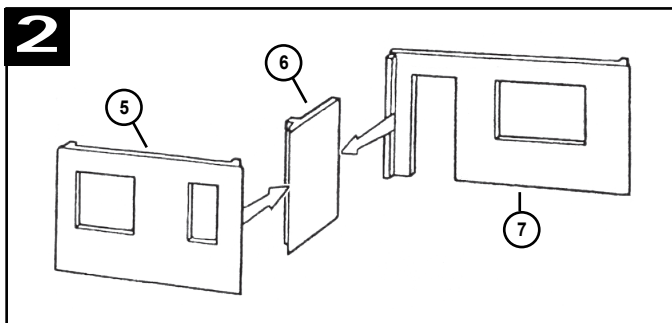


Please Note - The tools used to produce this model were made over 50 years ago. Over the period, changes have been made and it may be that reference numbers moulded into the plastic parts do not match the numbers used in these instructions. Therefore we advise you to FOLLOW the exploded diagram and instructions.

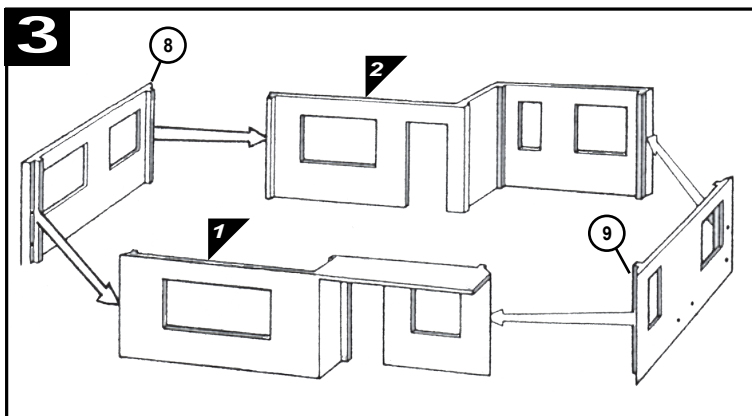
○ CEMENT ▽ ASSEMBLED SECTION



Cement rear wall parts (1 - 3) together and then cement roof section (4) into place as shown on diagram.

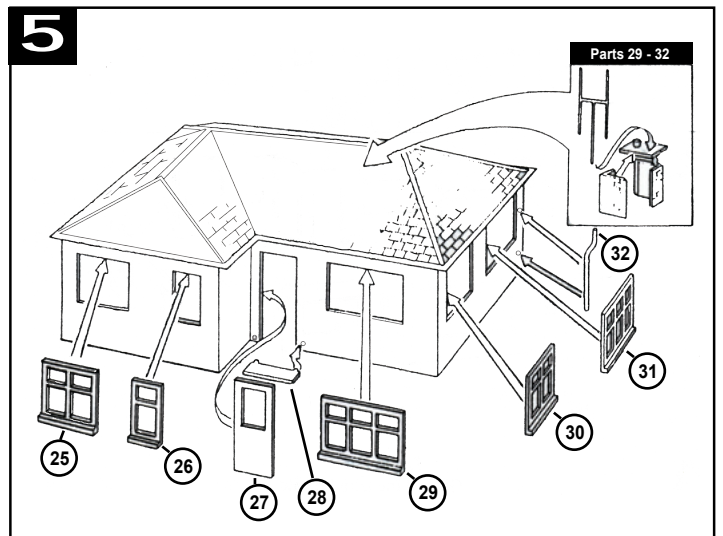


Repeat for front walls as shown on diagram.



Cement side walls (8 & 9) to completed structures <1 & 2> to form the base of the building.

Cement roof section (10) into place and then cement windows (19 -17) into place as shown. Allow structure to dry. Then cement door (12), meter cover (18) and drain pipe (20) into place as shown. Leave to dry. Cement porch wall and roof support (15 & 16) together and then cement completed structure to edge of building and underside of roof as shown, using the locating pins and holes for exact position. Finally cement door step (13) into position, again using locating pins and holes.



Repeat above procedure for rear of building using parts 25 - 31. Finally assemble the Chimney and Aerial (21 - 24) and cement to roof as shown.

ASSEMBLY INSTRUCTIONS: It is recommended that the instructions and exploded view are studied and that the assembly is practiced before cementing together. Certain parts may need to be trimmed and may best be painted before cementing.

WARRANTY: Parts can get bent during transit or by prolonged storage. However misshapen parts can be straightened by placing them in hot water to soften the plastic and then carefully manipulating them back into shape by finger pressure.

Please be careful that the water does not cause harm to skin or fingers. In the event of parts being broken or missing, then you **MUST** return to the place of purchase (the seller). The seller will replace your kit and return the original kit to Dapol under their agreed contractual terms.

Do **NOT** return to Dapol.

Finally please note that Dapol does not keep individual parts for any kit.