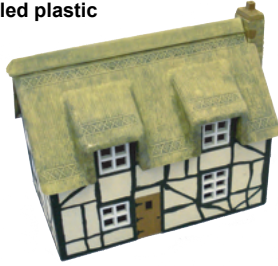


dapol 00/H0 TRACKSIDE MODEL C020: THATCHED COTTAGE

Made in the UK using recycled plastic

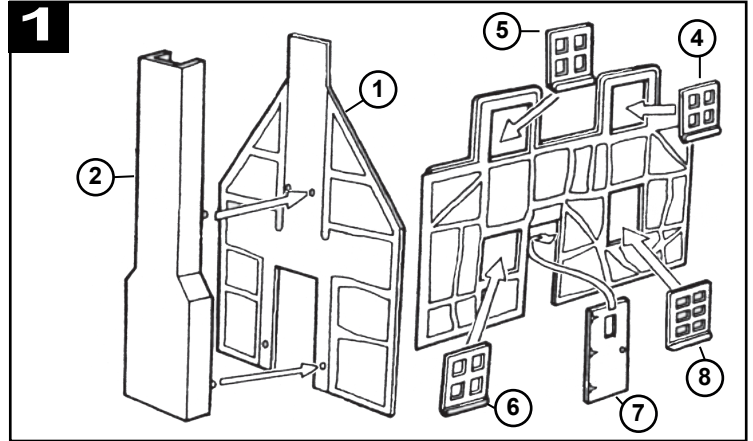


Not suitable for children under 14 years old



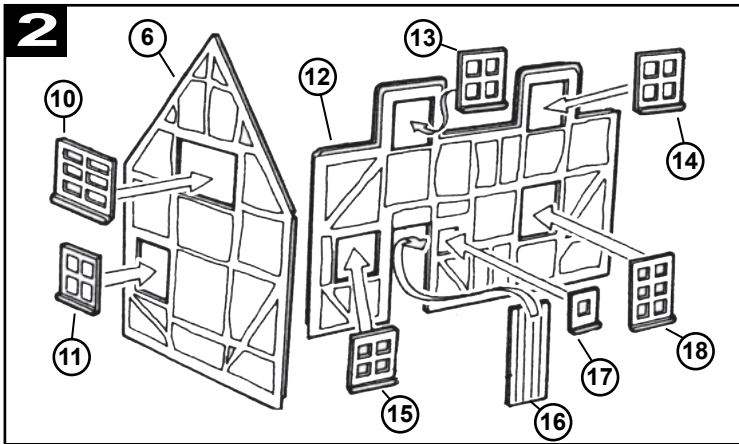
Please Note - The tools used to produce this model were made over 50 years ago. Over the period, changes have been made and it may be that reference numbers moulded into the plastic parts do not match the numbers used in these instructions. Therefore we advise you to FOLLOW the exploded diagram and instructions.

ASSEMBLY INSTRUCTIONS: It is recommended that the instructions and exploded view are studied and that the assembly is practiced before cementing together. Certain parts may need to be trimmed and may best be painted before cementing.



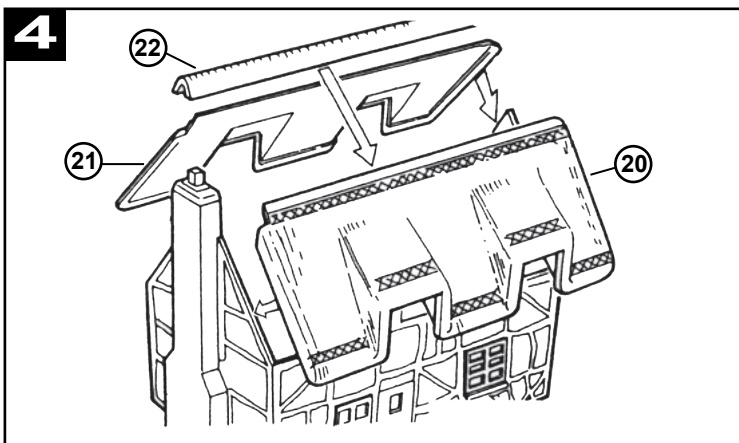
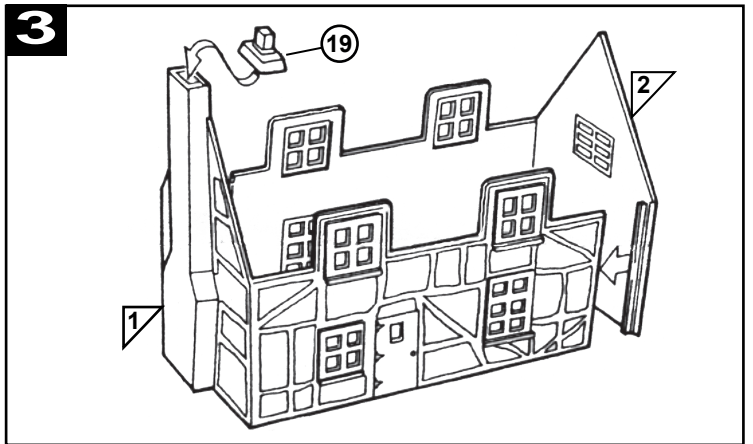
ASSEMBLY 1: Cement chimney (2) to end wall (1) and windows (4 - 8) to side wall as shown above. Then cement door (7) into place.

ASSEMBLY 2: Repeat above assembly for opposite side of building using parts 6 to 17 as showing in diagram.



ASSEMBLY 3: Cement assembled parts <1> & <2> together and then cement chimney top (19) into place as shown.

ASSEMBLY 4: When previous actions 1 - 3 have dried, cement roof sections (20 + 21) into place, before finally cementing roof capping (22) as shown.



○ = CEMENT

◁ = ASSEMBLED SECTION

WARRANTY: Parts can get bent during transit or by prolonged storage. However misshapen parts can be straightened by placing them in hot water to soften the plastic and then carefully manipulating them back into shape by finger pressure. Please be careful that the water does not cause harm to skin or fingers. In the event of parts being broken or missing, then you **MUST** return to the place of purchase (the seller). The seller will replace your kit and return the original kit to Dapol under their agreed contractual terms. Do **NOT** return to Dapol.

Finally please note that Dapol does not keep individual parts for any kit.