

dapol 00/H0 TRACKSIDE MODEL C018: KIOSKS & STEPS

Made in the UK using recycled plastic



Not suitable for children under 14 years old

Please Note - The tools used to produce this model were made over 50 years ago. Over the period, changes have been made and it may be that reference numbers moulded into the plastic parts do not match the numbers used in these instructions. Therefore we advise you to FOLLOW the exploded diagram and instructions.

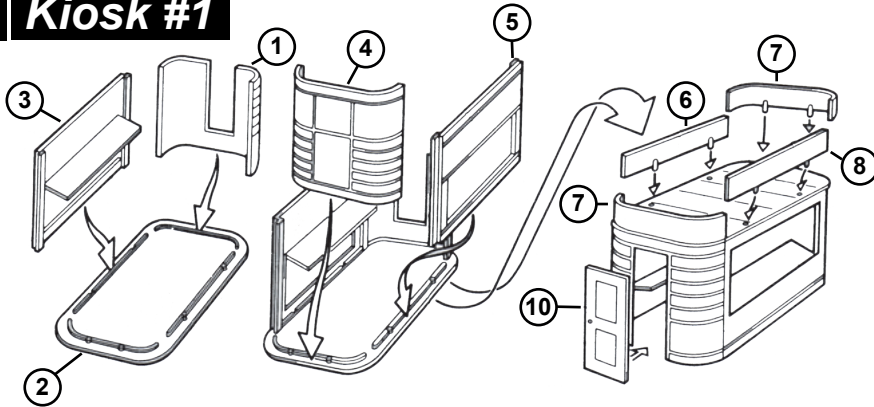
ASSEMBLY INSTRUCTIONS: It is recommended that the instructions and exploded view are studied and that the assembly is practiced before cementing together. Certain parts may need to be trimmed and may best be painted before cementing.

WARRANTY: Parts can get bent during transit or by prolonged storage. However misshapen parts can be straightened by placing them in hot water to soften the plastic and then carefully manipulating them back into shape by finger pressure. Please be careful that the water does not cause harm to skin or fingers.

In the event of parts being broken or missing, then you **MUST** return to the place of purchase (the seller). The seller will replace your kit and return the original kit to Dapol under their agreed contractual terms. Do **NOT** return to Dapol.

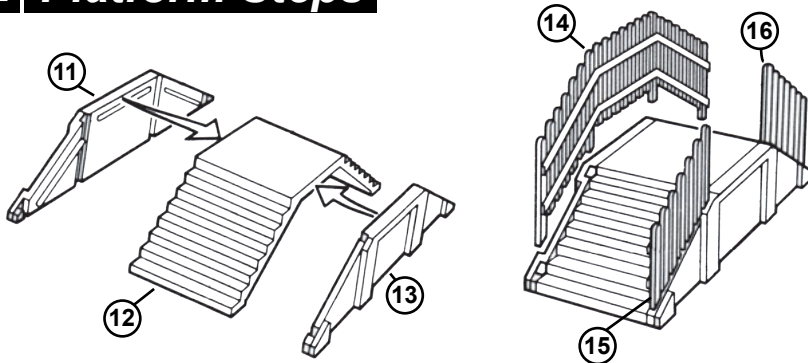
Finally please note that Dapol does not keep individual parts for any kit.

1 | Kiosk #1



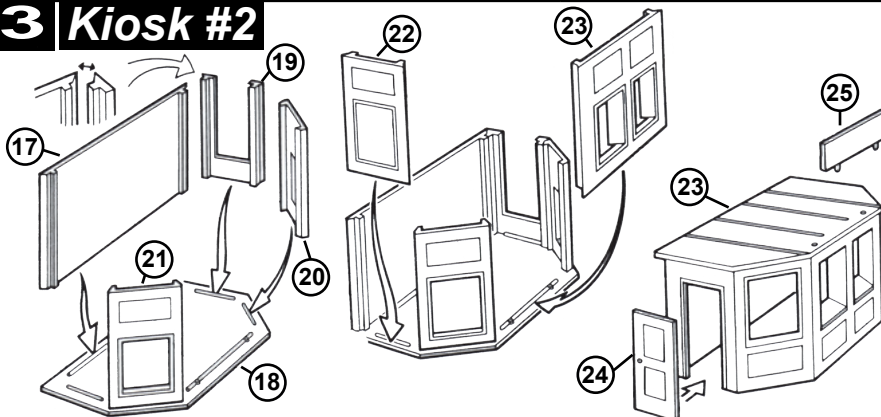
- 1: Locate Roof (2) and cement walls (3 & 4) as shown. Then locate and cement opposite walls (5 & 6).
- 2: Turn upright.
- 3: Cement door (10), straight roof boards (6&8) and curved roof boards (7) into place as shown.

2 | Platform Steps



- 1: Locate base (12) and cement side pieces (11 & 13) as shown.
- 2: Locate and cement back fencing (14) and then both front fences (16 & 15) as shown.

3 | Kiosk #2



- 1: Locate Roof (18) and cement side pieces (17 - 23) as shown.
- 2: Turn upright and cement door (24) before finally cementing sign board (25) into place.

A sheet of printed graphics is supplied with this kit. The graphics are suitable for both kiosks. Cut around each individual piece and glue to the kiosks as appropriate. They will attach using most non-solvent glues. The photo of the completed kit at the top of these instructions will give you an excellent idea of what you can achieve.