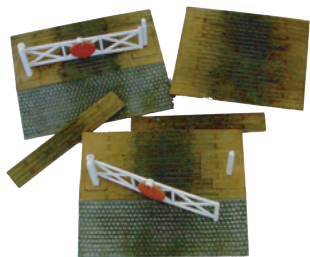


dapol 00/H0 TRACKSIDE MODEL C015: LEVEL CROSSING

Made in the UK
using recycled plastic

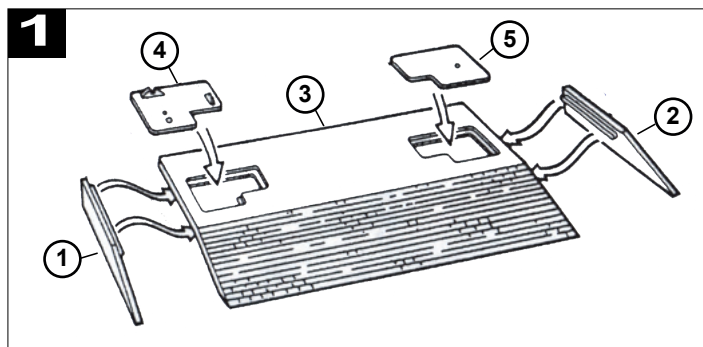


Not suitable for
children under 14 years old

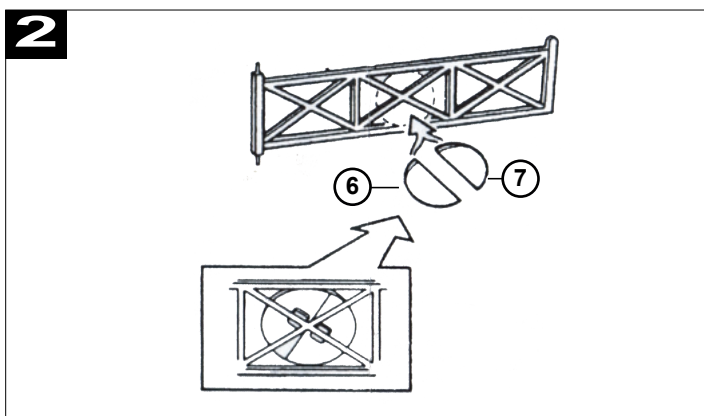


Please Note - The tools used to produce this model were made over 50 years ago. Over the period, changes have been made and it may be that reference numbers moulded into the plastic parts do not match the numbers used in these instructions. Therefore we advise you to FOLLOW the exploded diagram and instructions.

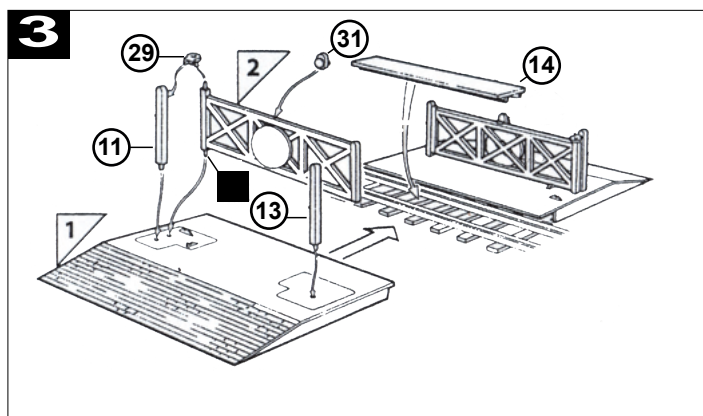
ASSEMBLY INSTRUCTIONS: It is recommended that the instructions and exploded view are studied and that the assembly is practiced before cementing together. Certain parts may need to be trimmed and may best be painted before cementing.



- 1: Cement edges (1 & 2) to base (3).
- 2: Cement post bases (4 & 5) to base (3)

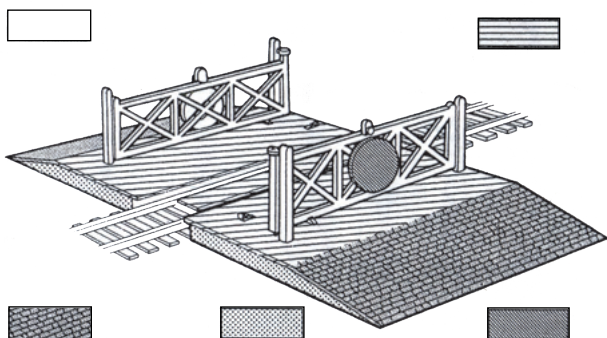


- 3: Cement circular signboard parts (6 & 7) to front of gate as shown



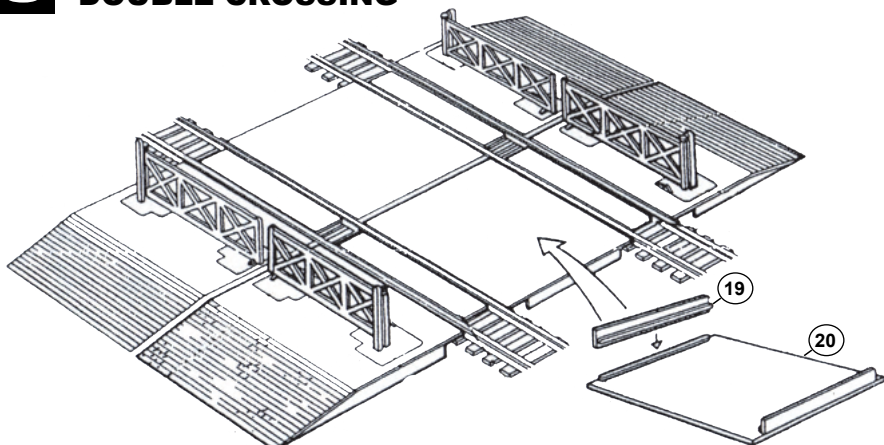
- 4: Cement gate posts (11 & 13) to base <1> as shown.
- 5: Locate lug on bottom of gate into hole in base. **DO NOT CEMENT.**
- 6: Locate post hook (29) over lug on top of gate.
- 7: Cement small lug at back of post hook into corresponding hole in top of post (11).
- 8: Cement warning lamp (31) on top of signboard as shown.
- 9: Repeat for opposite gate assembly.
- 10: Push both completed sections into place on either side of track and rest centre section (14) over the track.

4 SUGGESTED COLOUR SCHEME



- = CEMENT
- ◄ = ASSEMBLED SECTION
- = DO NOT CEMENT

5 DOUBLE CROSSING



This kit will make a level crossing for a Single Track only. However, extra parts are included within the kit to allow you to make a Double Crossing (as shown) if two kits are used and joined together. Simply cement part (19) to extra base (20) and position as shown.

WARRANTY: Parts can get bent during transit or by prolonged storage. However misshapen parts can be straightened by placing them in hot water to soften the plastic and then carefully manipulating them back into shape by finger pressure. Please be careful that the water does not cause harm to skin or fingers. In the event of parts being broken or missing, then you **MUST** return to the place of purchase (the seller). The seller will replace your kit and return the original kit to Dapol under their agreed contractual terms. **Do NOT** return to Dapol. Finally please note that Dapol does not keep individual parts for any kit.