

# dapol 00/H0 TRACKSIDE MODEL C004: FOOTBRIDGE



Made in the UK using recycled plastic  
Not suitable for children under 14 years old

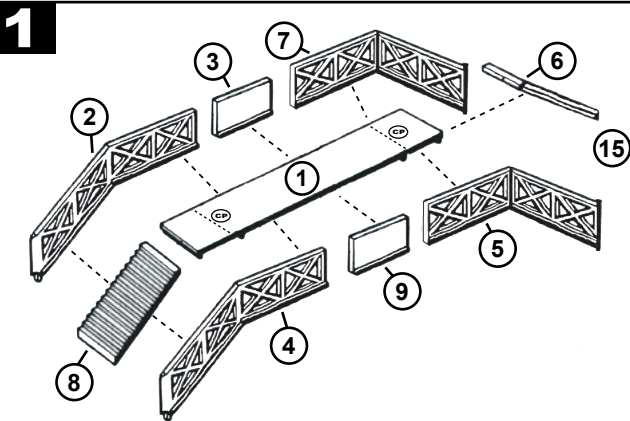
**Please Note** - The tools used to produce this model were made over 50 years ago. Over the period, changes have been made and it may be that reference numbers moulded into the plastic parts do not match the numbers used in these instructions. Therefore we advise you to FOLLOW the exploded diagram and instructions.

**ASSEMBLY INSTRUCTIONS:** It is recommended that the instructions and exploded views are studied and that the assembly is practiced before cementing together. Certain parts may need to be trimmed and may best be painted before cementing.

This model bridge was designed to be "Universal" in its assembly and to be able to create many different options of bridge design. Its length may be reduced by omitting sections and the positions of the lower stairs can be varied to suit your layout needs. You can even join two or more kits together to form complete or complex bridges. Therefore please consider your particular needs then examine the various options offered with the kit, before starting assembly.

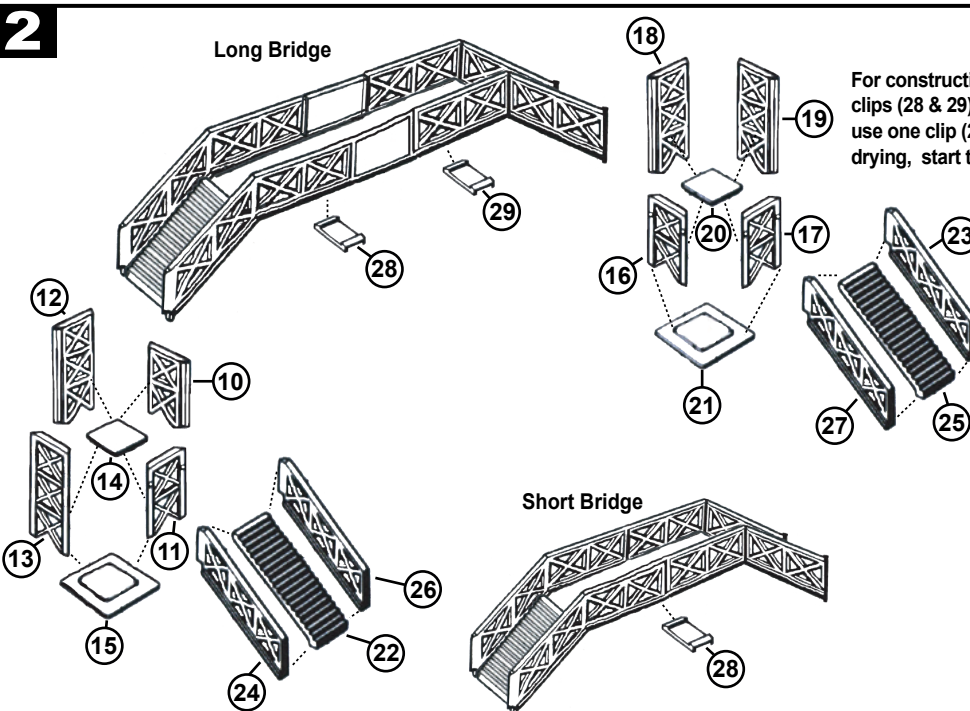
**WARRANTY:** Parts can get bent during transit or by prolonged storage. However misshapen parts can be straightened by placing them in hot water to soften the plastic and then carefully manipulating them back into shape by finger pressure. Please be careful that the water does not cause harm to skin or fingers. In the event of parts being broken or missing, then you **MUST** return to the place of purchase (the seller). The seller will replace your kit and return the original kit to Dapol under their agreed contractual terms. Do **NOT** return to Dapol.

Finally please note that Dapol does not keep individual parts for any kit.



1 Firstly, select the type of bridge you require. Identify the side pieces (2, 7, 4 & 5) and advertising boards (3 & 9) and cement to the walkway (1) as shown. Then cement the main steps (6 & 8) into place.

If you require a shorter bridge, then omit the advertising boards (3 & 9) and cut the walkway at the two locations identified with the legend (CP).



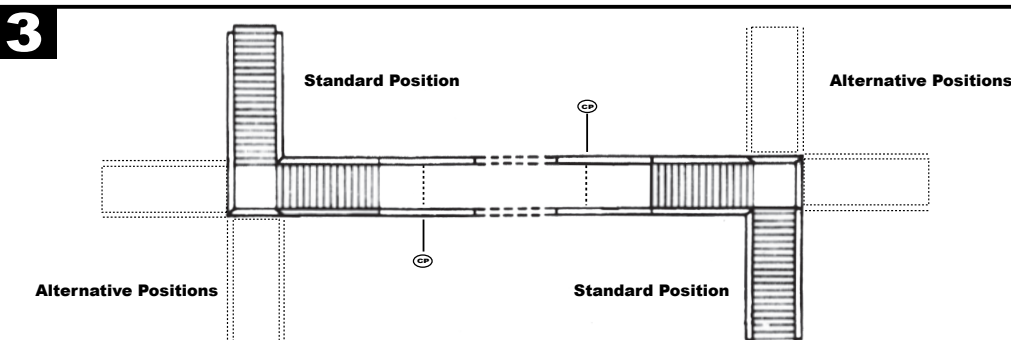
2 For constructing a 'Long Bridge' cement the two small support clips (28 & 29) under the walkway. For a 'Short Bridge' then only use one clip (28) as shown. Whilst the main walkway assembly is drying, start the assembly of the side steps and frame.

Cement the inner platform (14) to the two small side sections (10 & 11) in the middle of both parts. Then cement the two larger side sections (12 & 13) into position on the platform. Then cement complete assembly to the bottom plate (15).

Repeat procedure for opposite side using parts 16 - 21.

Cement lower steps (22) into place on side frames (26 & 24) as shown. When dry cement to completed side frame.

Repeat procedure for opposite side using parts 23 - 27.



3 Standard and alternative positions for fixing of side steps