

LSWR B4 Class Locomotive
OO Gauge Model

Owner's manual

dapol

Authentic Scale Model

Table of Contents

Section A: All versions and quick start.	1
Running in & first use	1
Coupling	2
Removing the body	2
Fitting a DCC decoder.....	3
Section B Factory Fitted DCC.....	4
1. DCC Address	4
2. Function key summary	4
3. Decoder Reset	4
Section C: Spare Parts	6
Section D: Manufacturer's Warranty	9
Description	9
How to claim	10
Terms and conditions.....	11
Contact information	12

Owners Guide

Thank you for purchasing this Dapol Model

Section A: All versions and quick start.

This section is applicable to all versions including those with factory fitted DCC.

Quick start: *We know you would like to have your model running as quickly as possible; please spare a moment to read this section first.*

- There is no accessory pack included with this model.

Icons used in this booklet:



Information: Hints and tips



Caution: Take care when performing this step



Warning: A risk of damage may exist



To install a DCC decoder refer to section A-5.

- The DCC ready version is shipped ready to run using DC or to accept an (optional) DCC decoder.
- Factory fitted DCC, Ref. Section B (Page 4)
- DCC decoder fitting instructions are in paragraph 4.

- 1. Running in / First use:** No special running in or initial lubrication is required; our 'new generation' locomotives have been designed with care to offer many years of service with minimal maintenance.



We suggest that before you operate your model for an extended time, you first run it in both directions at a low speed whilst checking for correct operation. This can be performed in either DC or DCC (after fitting a decoder – see section A-5)

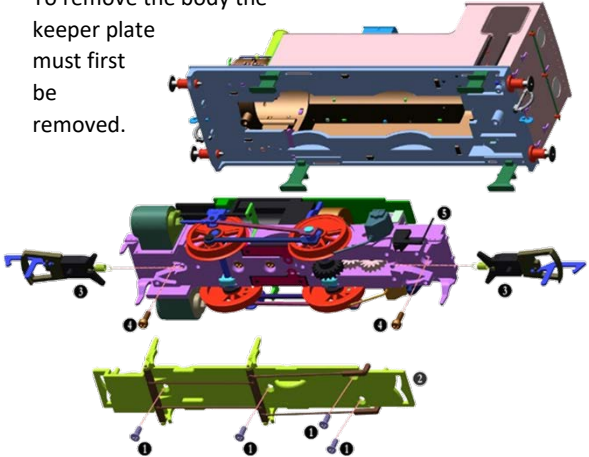
LSWR B4 Class Locomotive

2. Coupling

The NEM coupling can be pulled from its pocket and an alternative (NEM compatible) type fitted.

3. Removing the body:

To remove the body the keeper plate must first be removed.



- Using a PH00 sized screwdriver remove the 4 retaining screws labelled (1) above.
- Gently remove or rotate the NEM pockets (3) and spring through 180 degrees so that it lies facing inwards.
- Remove the two screws (4) that were located under the NEM pocket body.
- The body (5) is now free to lift away from the chassis. After lifting the rear, slide the body slightly backwards to release the decoder blanking plate from the smokebox.



Warning. Ensure the decoder/blanking plate does not foul the smoke box during removal

Owners Guide



Whilst the keeper plate is removed, take care not to allow the wheels & bearings to fall from the chassis.

- e. Replacement of the body: Reverse the procedure described in 3d-3a.

4. Fitting a DCC decoder: The model requires an NEM-652 (6 pin type) 2 function decoder. The decoder should not be more than 10mm in overall length (not inclusive of pins). We recommend a (Dapol Imperium 6P). Regardless of the type of decoder, fitting remains the same. Due to the size of the model no provision for a speaker has been made.

- a. Remove body (section 3, page 2)
- b. Remove DC blanking plate



CARE: When removing the decoder do not place undue stress on the socket. Connections to the PCB are delicate and will break if flexed excessively!

- c. Insert decoder, aligning the decoder plug with the socket.



Take care to align Pin 1 of the decoder with the mark on the PCB. No harm will occur if inserted upside down, but the model will not operate. Do not force it into place. If in doubt, stop and re-check alignment

7. Maintenance: We have designed the model using components which require little maintenance, however we suggest that after every 100 hours running a lubrication service is performed using a light synthetic lubricating oil such as Dapoil or

LSWR B4 Class Locomotive

Locolube™.



Mineral oil types or thicker oils may damage your locomotive and/or invalidate your warranty.

- When applying lubrication only 1 or 2 drops are required on the gear-train, this will migrate through the gear train.



Caution: Do not over oil. Over oiling may damage paint finishes and/or cause build-up of dust.

- Remove any surplus oil using a lint free cloth.
 - Regularly check your model for build-up of dust or loose scenic materials around moving parts.
8. **Spare parts:** Refer to Section D, pages 5 & 6 for exploded views and parts list.
 9. **Warranty:** Details are in Section E. Page 7.

Section B Factory Fitted DCC:

1. **DCC Address:** The model is factory set to address 3.

2. **Function key summary:**

F0 Fire Box Flicker On/Off

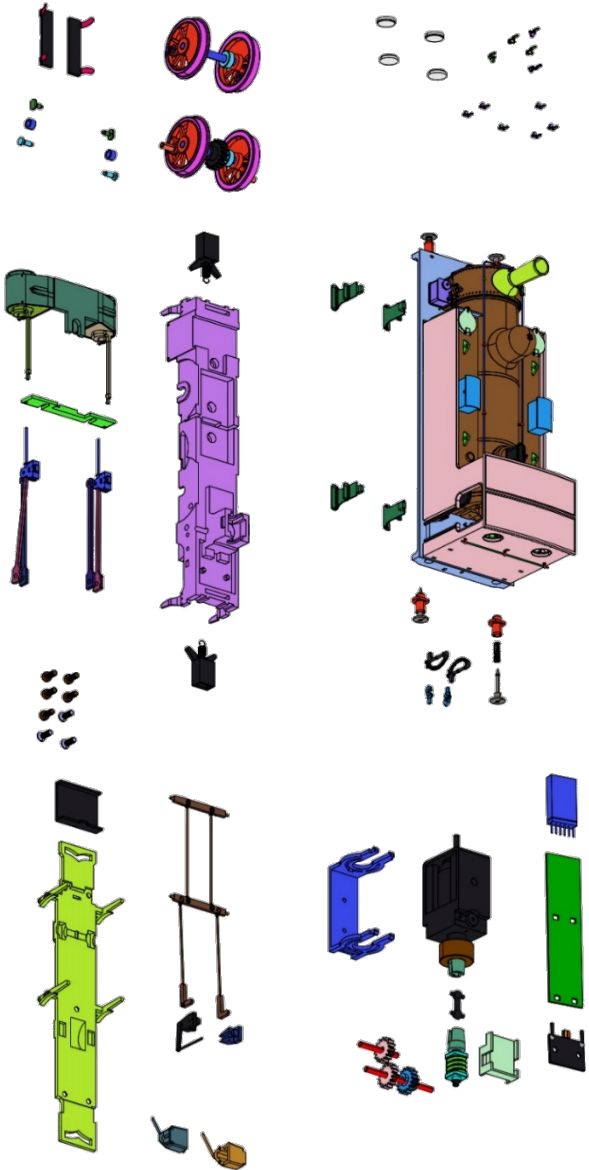
3. **Decoder Reset:** Setting CV 8 to a value of 8 will reset the CV to default settings.

Owners Guide

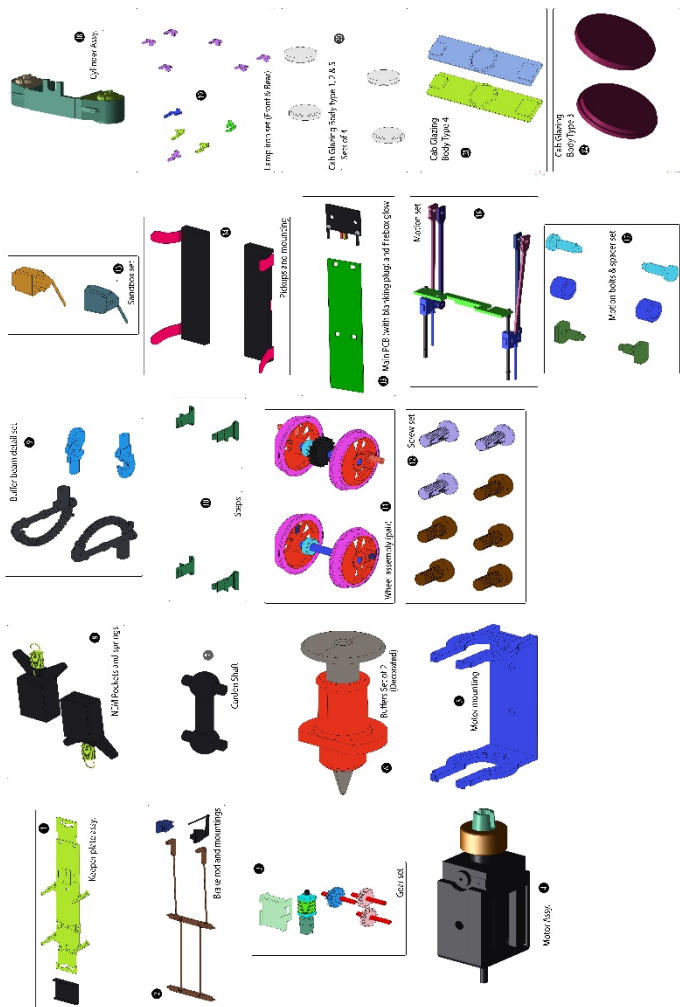


The decoder in your model has been factory programmed to operate in a prototypical fashion. A decoder reset will Not delete these settings.

Section C: Parts view

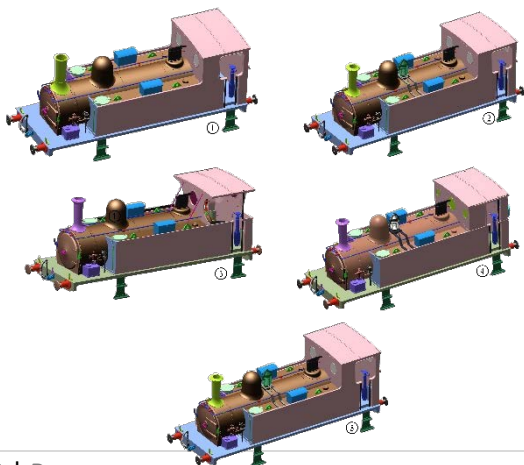


Spare Parts List



LSWR B4 Class Locomotive

Part	Description	Part Number
1	Keeper plate Assembly	113088
2	Brake rod and mountings	113089
3	Gear set	113090
4	Motor assembly	113091
5	Motor Mounting	113092
6	Buffers (set of 2)	113093
7	Carden shaft	113094
8	NEM Pocket and springs	113095
9	Buffer beam detail set	113096
10	Steps (specify livery)	113097
11	Wheel assembly (specify livery)	113098
12	Screw set	113099
13	Sandbox set	113100
14	Pickups and mounting	113101
15	Main PCB & Firebox glow PCB	113102
16	Motion set	113103
17	Motion bolts and spacer set	113104
18	Cylinder Assembly (specify livery)	113105
19	Lamp iron set	113106
20	Cab glazing (Body types 1,2 & 5)	113107
21	Cab glazing (Body type 4)	113108
22	Cab glazing (Body type 3)	113109



LSWR B4 Class Locomotive

Section D: Manufacturer's Warranty

Description: We want you to be completely satisfied with your purchase and obtain many years of pleasure from its operation. If you experience any problems with your model, we suggest that your first point of contact is your retailer; they will be able to advise on any teething problems and will use their experience to quickly solve many of your questions or concerns.

Your dealer is also the fastest way to exchange a model which is found to be missing components, accessories, or is otherwise defective after purchase.

But, we recognise that you may require more: If a replacement model is not available you may find a refund disappointing, or you may simply prefer to deal directly with Dapol. For these reasons, we offer a 12-month manufacturer's repair warranty on this product in addition to your statutory rights.



Our Manufactures warranty in simple terms: If your model experiences a mechanical or electrical fault within one year of purchase, you have the option of a free repair at our service agents which is (within the UK) also post free.

2nd year service. An option exists to have your locomotive serviced by our authorised agent (a service fee is payable). Simply contact our agent and you will be advised of the current cost and given a freepost address. The model will be serviced and returned with a validated warranty certificate for a second year of no-quibble warranty for your model.



Please note: Year 2 warranties cannot be issued more than 13 months after the original date of purchase.



VERY IMPORTANT: Please ensure that your dealer has supplied a proper printed receipt with your purchase. Without this, our service agents are... (Cont...) unable to offer warranty service. Repairs

Manufacturer's Warranty

will be charged at the prevailing rate. Your statutory rights with the place of purchase are unaffected.

How to claim:

- Locate the proof of purchase (copies acceptable)
- Year 2 claims: Return with validated 2nd year certificate (or service fee if within 13 months of purchase).
- Contact our service agent for a Job ID number.
- Write the Job ID number on the outside of the package, and enclose your name, contact information, proof of purchase and if applicable your year 2 certificate.
- When posting, ensure that you obtain proof of posting and the model is adequately packed. If you require proof of delivery or insurance, you will need to purchase the additional service (at your cost) from your post office.

What happens next? If you have supplied an email address, receipt will be acknowledged, you will be advised when work commences and is completed. They will contact you in case of unforeseen difficulties during repair. Using your email address, you can use the online enquiry system to check the status of your model at any time via the internet.

If you have not supplied an email address, your model will be repaired and returned, you will only be contacted in case of a problem. You may of course contact our agent (quoting the job ID) at any time.

What happens when the warranty expires? Our service agent offers a comprehensive repair service at reasonable cost. Alternatively, a comprehensive range of spare parts is available for purchase.

The small print! (Terms and conditions) We intend this 'No Quibble' warranty to be a simple and fair addition to

LSWR B4 Class Locomotive

your statutory rights, however, some situations simply cannot be covered as they are outside of our control. We've listed these below.



We're reasonable folks, so if in doubt, please contact either our customer service or service agents for advice on your situation and we'll suggest the best course of action.

Terms and conditions:

1. Only Dapol model locomotives with the manufacturers 'W' mark are covered under this scheme.
2. This manufacturer's warranty is in addition to your existing statutory rights and offers a repair service for your model. Requests for outright refund or replacement should be directed to the place of purchase.
3. In the event the model cannot be repaired, at Dapol's sole option, you may be offered: a new replacement model (subject to availability), a refund voucher (for exchange at the place of purchase) or the return of the locomotive in an unrepaired condition.
4. On issuance of a replacement model or refund voucher the original model and all associated accessories shall become the property of Dapol Ltd.
5. The replacement or repair of a model shall not extend the original warranty period under any circumstance.
6. This warranty covers the model's electronics, chassis and mechanisms for manufacturing defect or premature failure. The following situations shall invalidate this warranty:
 - a. Accidental damage
 - b. Missing accessories (i.e. accessory packs) – Please return to your dealer.
 - c. Over or under oiling, incorrect oil type (use a thin synthetic oil i.e. Dapoil, LocoLube™ or similar)
 - d. Fair wear and tear (unless deemed to be premature by Dapol or our service agent)
 - e. Routine maintenance and faults due to foreign bodies i.e. Drive tyres, Dirty wheels, Pickups etc.
 - f. Mishandling: Inclusive of broken wires, dislocated driveshaft's, damaged valve gear.
 - g. Mechanical or electrical modification; inclusive of fitting of DCC to a non DCC ready model. (Reasonable

Manufacturer's Warranty

modifications inclusive of: Weathering, super detailing etc. are permitted, however any adverse effects of such modification shall invalidate the warranty.)

- h. Unauthorised attempts to repair or modify the model.
7. This warranty is not transferable and is valid only for purchases made from authorised Dapol dealers when accompanied by a proof of purchase.
8. This warranty does not cover: Used models, models purchased from private individuals or auction sites (unless a 'Buy It Now' purchase of a new model from an authorised dealer supplied with supporting proof of purchase).
9. Dapol and its agents shall be the sole arbiters as to the warranty status of the model and their decision is final.
10. Whilst every effort will be made to protect such, Dapol and its agents shall not be liable for damage or alteration to any 'super detailing' or other aftermarket cosmetic, mechanical or electrical enhancements.
11. Dapol and its agents shall not be held liable for damage caused to inadequately packaged models.
12. Dapol and its agents shall not be held liable for models lost in the post unless a proof of posting can be supplied.
13. All repairs will be repaired on a first in-first out basis, within a reasonable period after receipt by our agent. Unless agreed in writing by Dapol or its agent prior to receipt of the model time shall not be of the essence in any contract.
14. All repairs and/or replacements are subject to availability.

Contact information:

Dapol Customer service
Telephone: 01691 774455
Email: sales@dapol.co.uk
Website: www.dapol.co.uk

Service and Spares Centre
DCC Supplies Ltd.
Telephone: 01905 621999
Email: dapol@dccsupplies.com
Website: www.dccsupplies.com
Spares online: dapolspares.dccsupplies.com

Dapol Limited.

Unit 7 Gledrid Industrial Park, Chirk, Wrexham
LL14 5DG

Telephone: 01691 774455

Website: www.dapol.co.uk

Email: sales@dapol.co.uk