

MOTORIZED LIFT STAND

Installation Guide



WARNING

Please read carefully before assembling the stand.

- ◆ Do not assemble the product if any of its parts/hardware are damaged or missing, if you require replacement parts, please contact us for assistance.
- ◆ Maximum load capacity: 50KG/110.2LBS.
- ◆ Use the product(s) only as intended by the manufacturer.
- ◆ This product contains moving parts, please use it with caution.
- ◆ We are not responsible for/do not cover: Damage from modification of the product, improper assembly, use with load over the specified weight range and damage ensuing from a natural disaster.
- ◆ Please do not use this stand in any other orientation than on the floor right side up, any different positioning will damage the product (e.g., suspended from ceiling).

Parts List

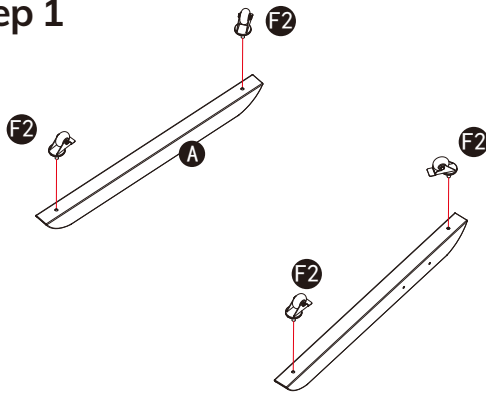
	A x2		B x1		
	C x1		D x1		
	E x2		F x1		
	A2 x1	B2 x1	C2 x1	D2 x1	E2 x1
	F2 x4	G2 x16	H2 x2	I2 x2	J2 x4
	K2 x2	L2 x2	M2 x40	N2 x2	O2 x4
G x2		P2 x4	Q2 x1	R2 x1	
H x2		S2 x1	T2 x1	U2 x2	
I x1		V2 x1	W2 x1	X2 x1	

Specification

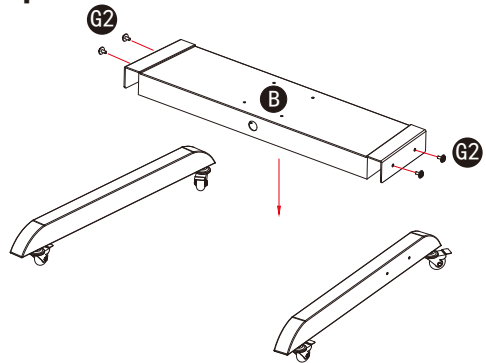
Input:	110~240V AC	Output Power:	24V DC
Load Capacity:	50Kg	Stroke:	78-160cm
Operation Temperature:	0-40°C		
Compatible mount type:	Floor		

Stand Base

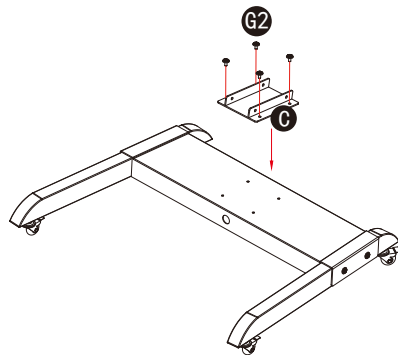
Step 1



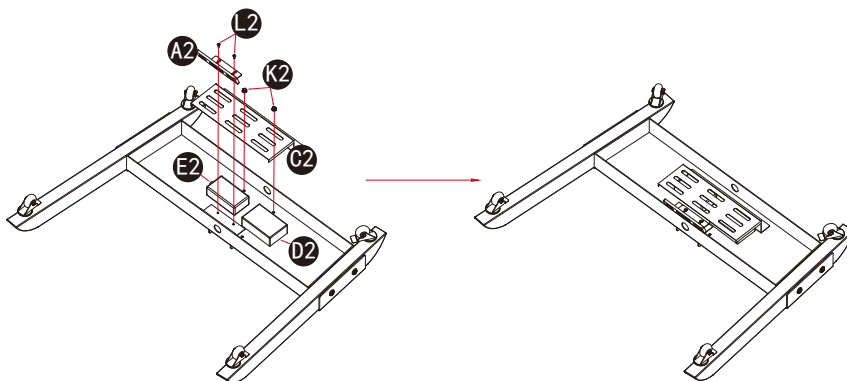
Step 2



Step 3

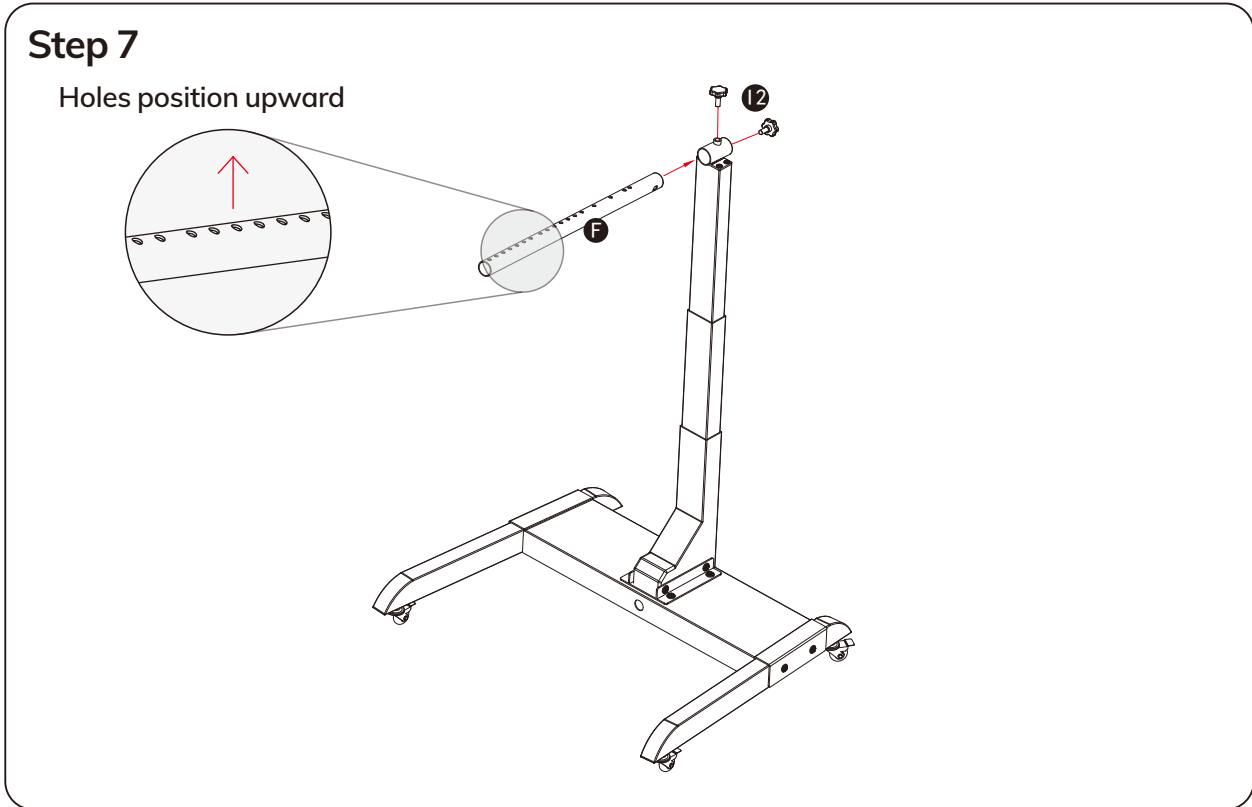
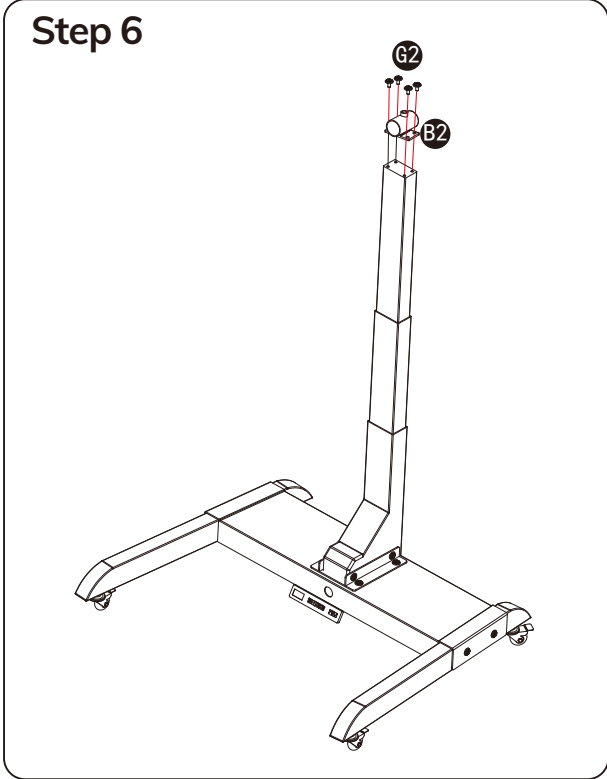
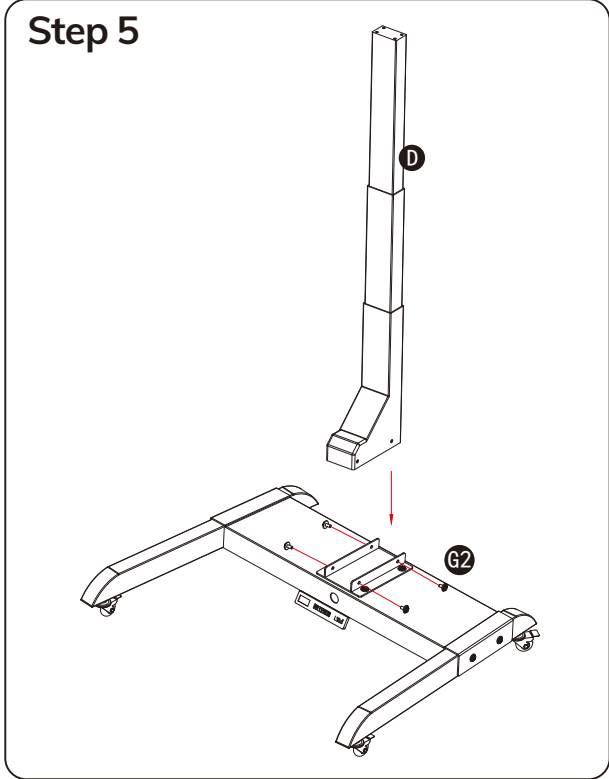


Step 4



Mobile Horizontal Mounting

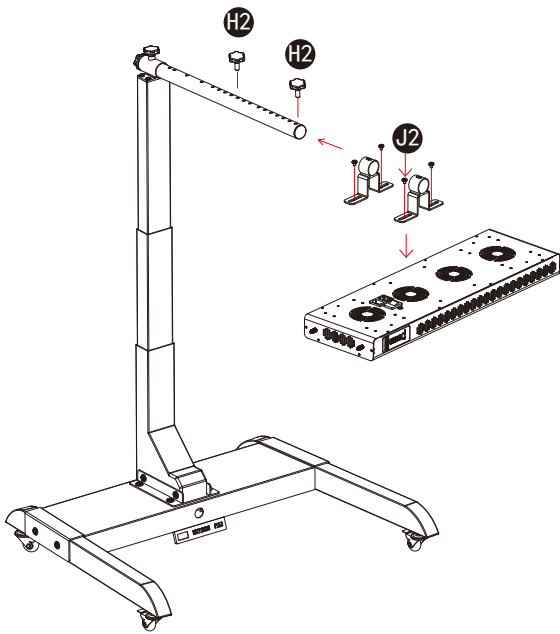
Lifting Column Install



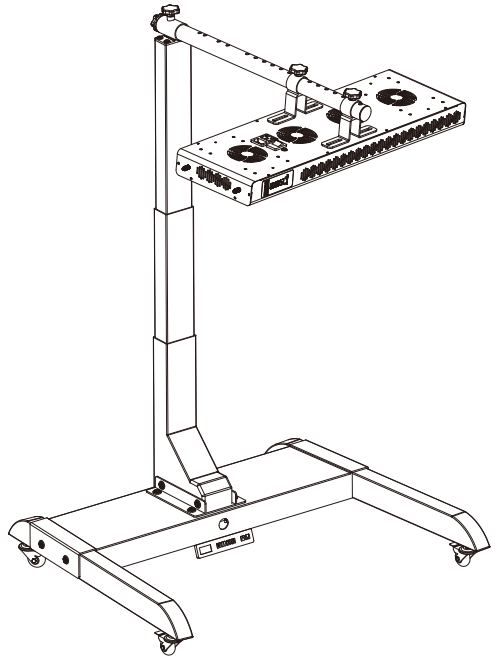
Ensure the screws are secured firmly

Installing a single light on the stand

Step 8

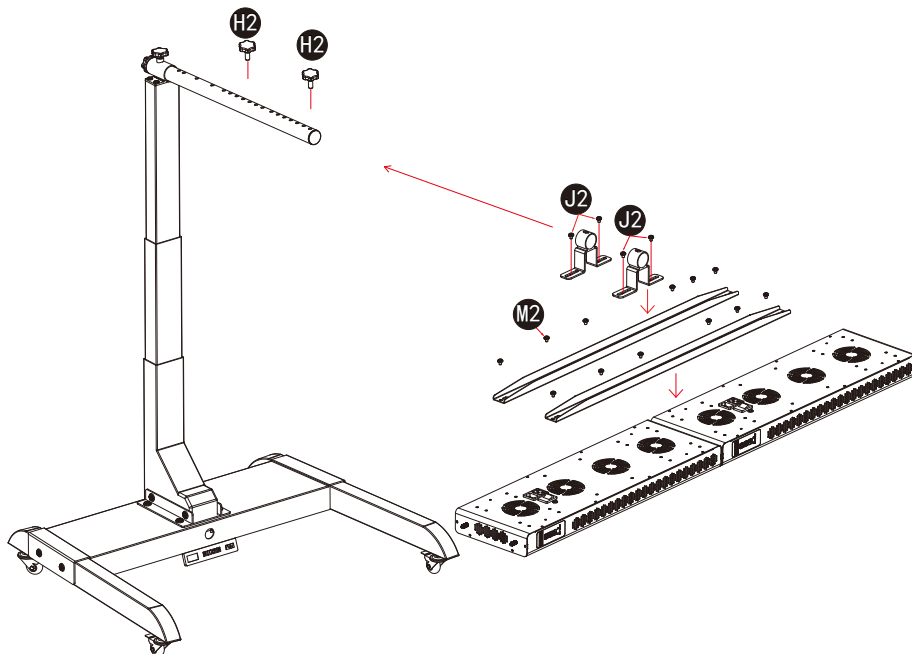


Step 9



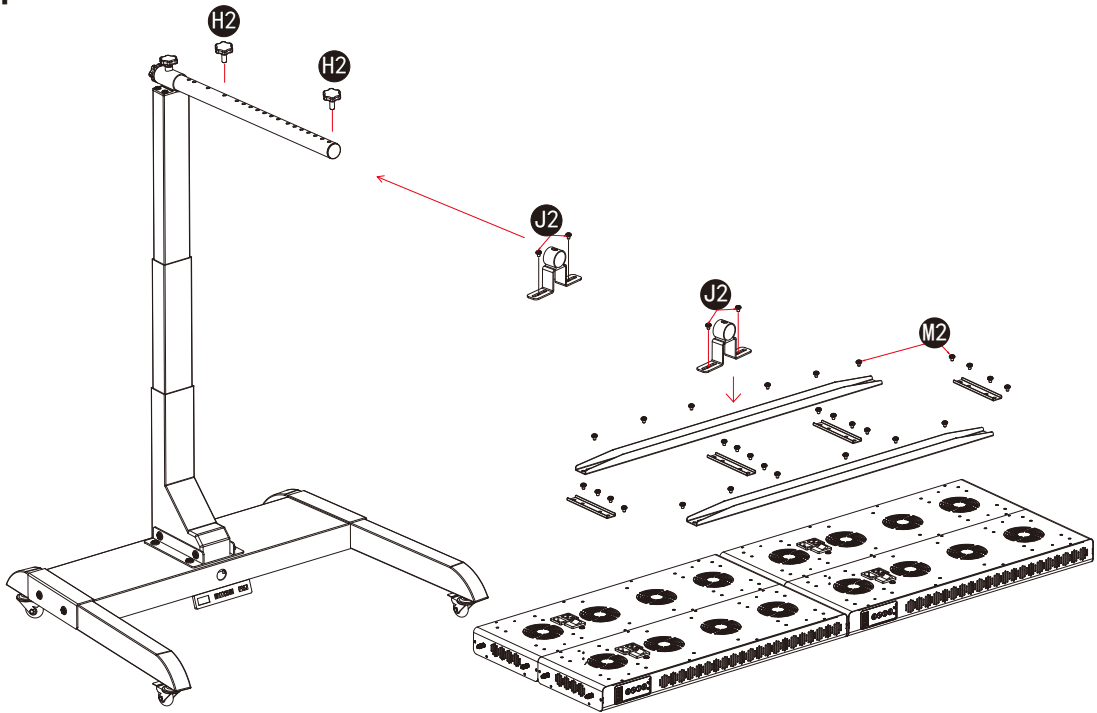
Installing Two lights on the stand

Step 8

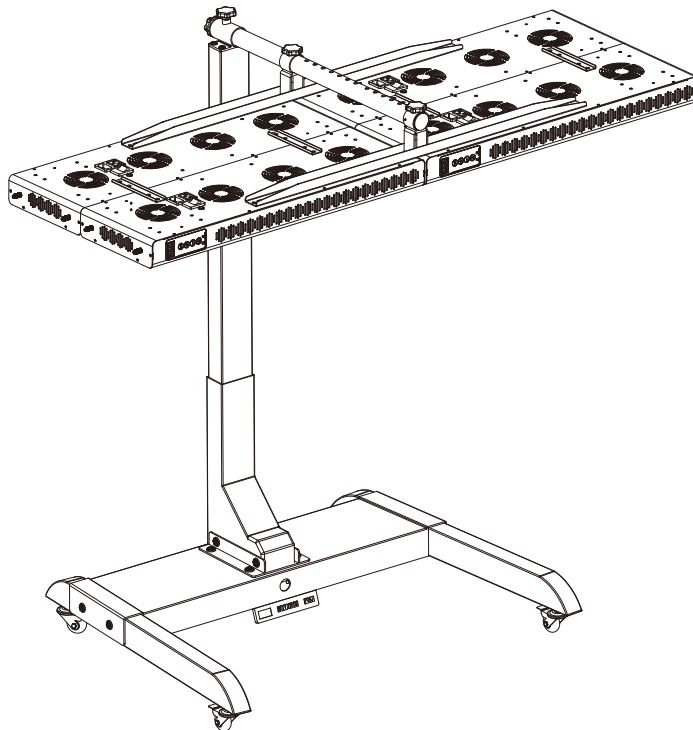


Installing Four lights on the stand

Step 8

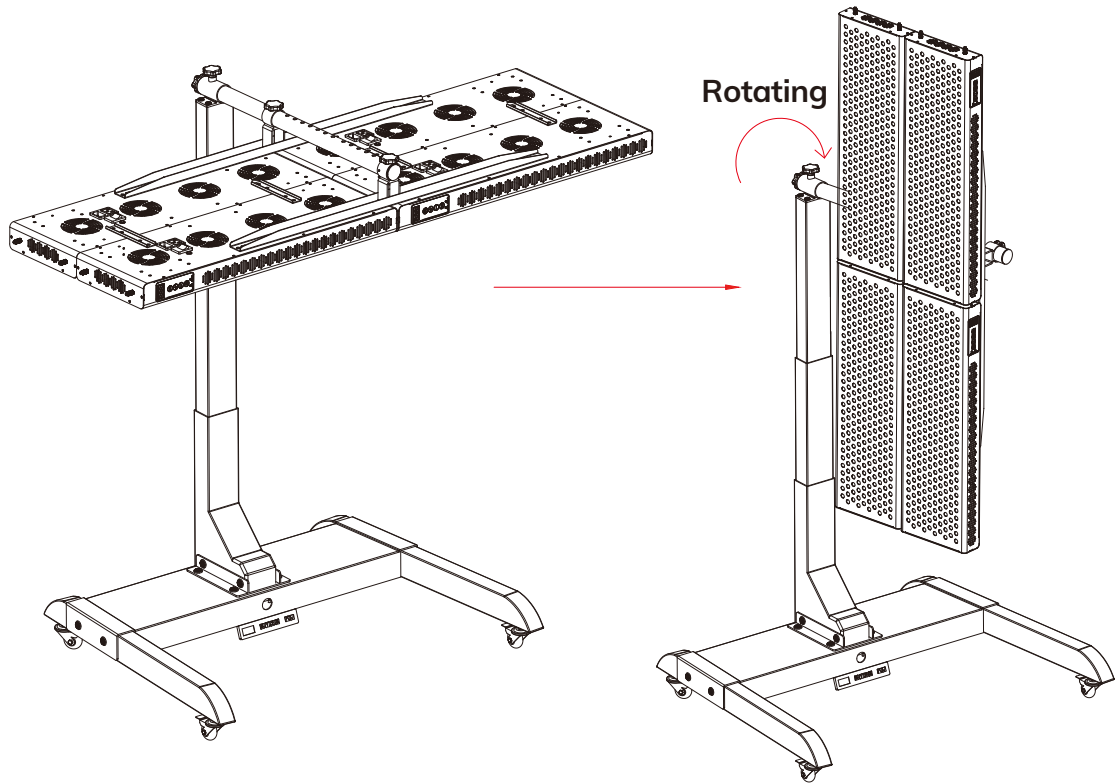


Step 9



Rotating from Horizontal to Vertical

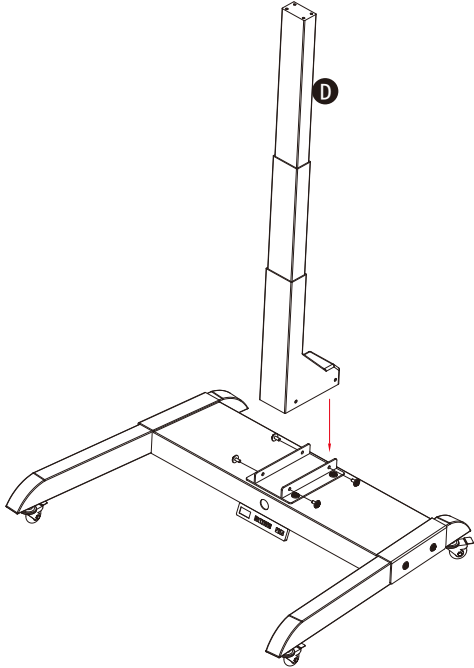
Step 9



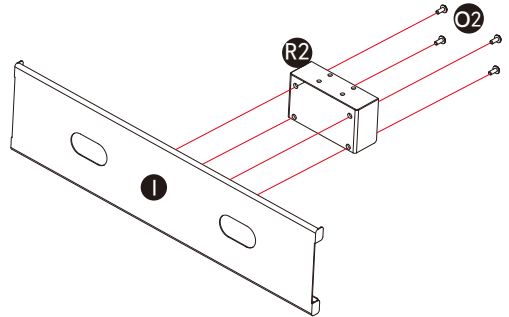
Mobile Vertical Mounting

Adjustable Column Install

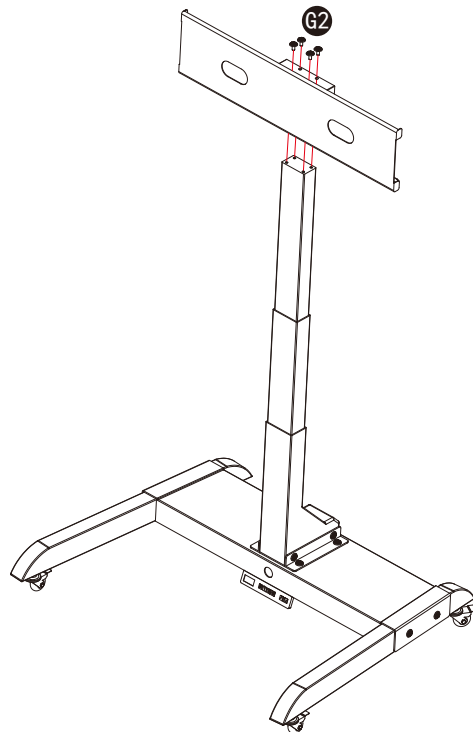
Step 5



Step 6



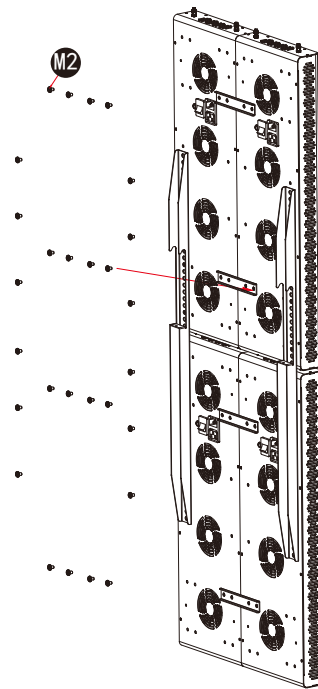
Step 7



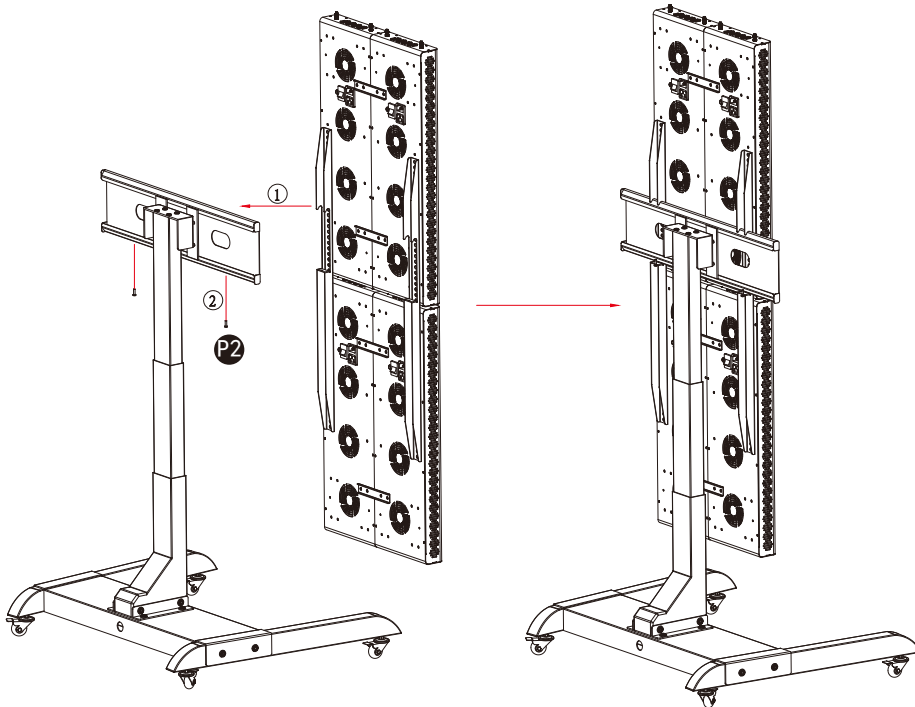
Ensure the screws are secured firmly

Mounting brackets on the light

Step 8

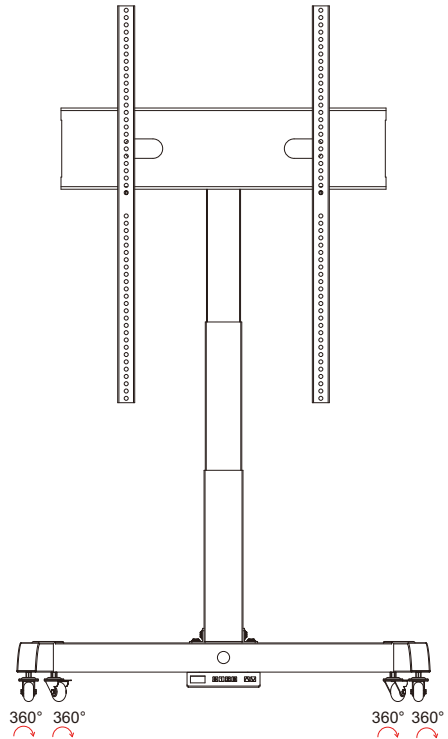
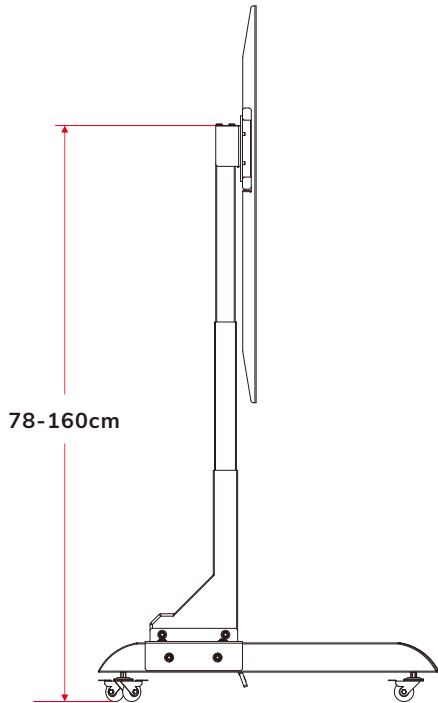
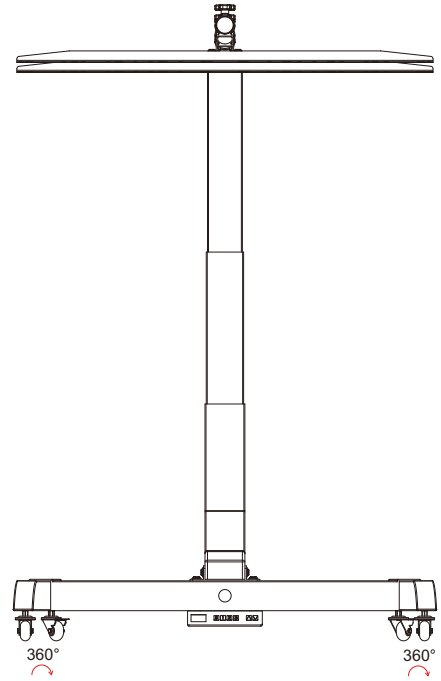
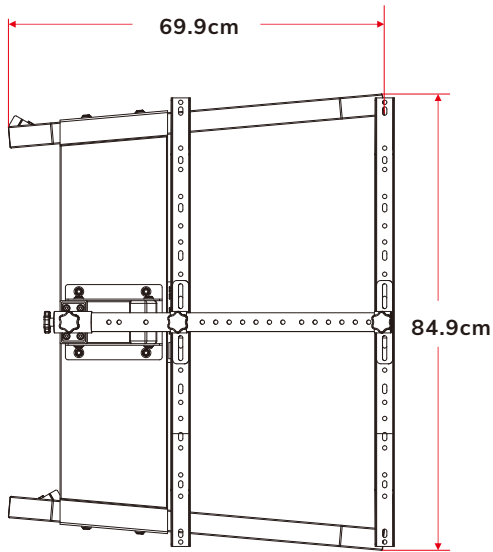


Step 9



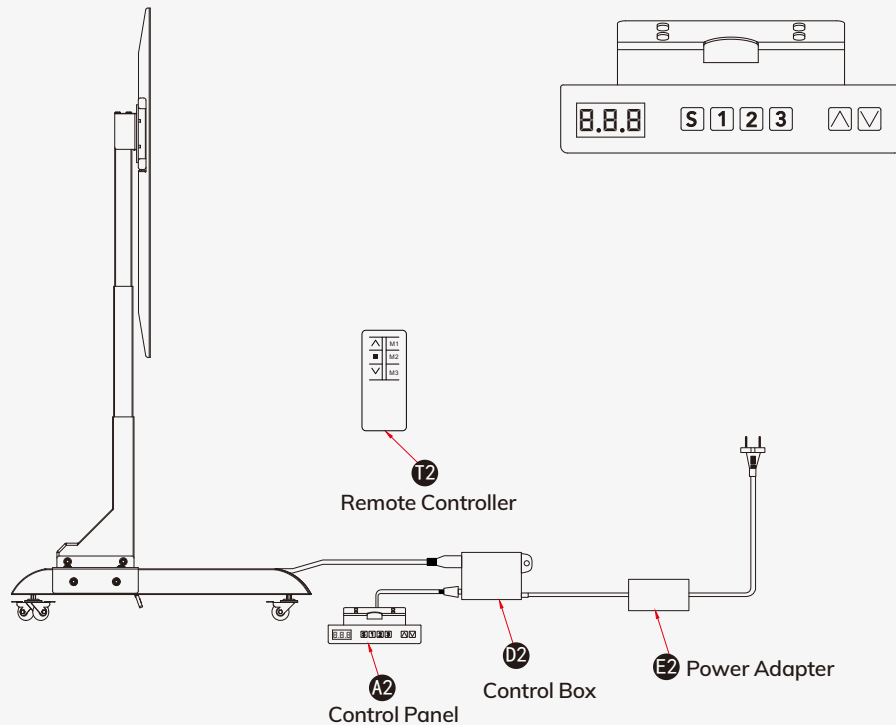
IMPORTANT: The bottom of the light must have enough bottom clearance from the floor at a minimum of 8cm while in the lowered position. If lowered to touch the floor, it may cause damage to the lights or cause the stand to fall over.

Dimensions



Guide for Controller

Picture A



1. Correctly connect the Control Box, Control Panel, Power Cord, Lifting Column and Patch Cord.(Picture A) Plug the power cord into 110-240V AC outlet.

2. Control Panel:

8.8.8 LED will display the current height.







- S** Save
- 1** Digital 1 memory preset
- 2** Digital 2 memory preset
- 3** Digital 3 memory preset
- ▲** Raise the mounting column. Press and hold “▲” button, release to stop.
- ▼** Lower the mounting column. Press and hold “▼” button, release to stop.

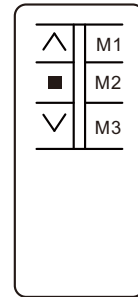
3. How to preset the height: (Only can set on the Control Panel)

- a) Press and hold **▲** **▼** button to the height, such as 100cm
- b) Press **S** button to save
- c) Press Digital **1** button
- d) The 100cm height is memorized by Digital **1** button


When it needs to be 100cm height, press the digital **1** button, it will adjust to 100cm automatically. Digital **2** and **3** and buttons can be set the same way with different heights.

Remote controller:

-  Raise the mounting column.
-  Stop
-  Lower the mounting column.
-  Running to Digital 1 memorized height
-  Running to Digital 2 memorized height
-  Running to Digital 3 memorized height



Pairing the Remote Controller with the stand: they are paired when you receive it. If the remote controller is not working, please pair it again using the following steps:

- Turn off the power,
- Press and hold the “” button on the remote controller,
- Turn on the power,
- Two “beep” sounds will signal that it is paired.




Controller temperature protection (display "HOT")

The temperature safety cutoff will be triggered if the motor reaches over 75 Celsius degrees or is in continuous operation for over 2 minutes, at these thresholds, it will display "HOT". Please let it cool down for 18 minutes before resuming operation.

If need to operate it urgently, please turn off power and turn on again.



**If error occurred, please reset it as follows: Reset method:
(Only can set on the Control Panel)**

- Press and hold the  button,
- The screen will display "RES", then will display 78.0,
- Complete reset.



Rebound function under resistance

If the device encounters resistance or obstacles during the descent, it will run up 4cm. This is a protective function. Please remove obstacles.