

Congratulations !

Your security camera is ready to use.
Thank you for choosing Qsee as your security partner.
Want to know more about Qsee products?



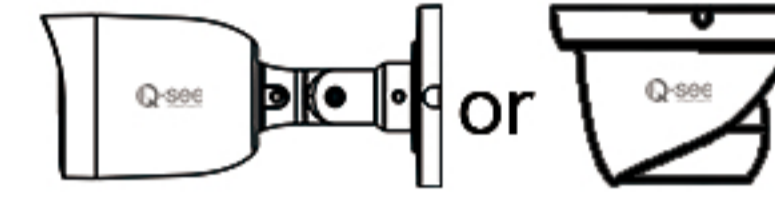
www.q-see.com

Qsee PoE IP Camera Quick Start Guide

Contents

What's Include?	2
Camera Introduction	3
Ceiling Mount Guidelines for Camera	5
Connect Cameras to NVR	7
Connetion Diagram	8
Specification	9
Camera Installation Tips	10
FAQ's	11
Notification of Compliance	12

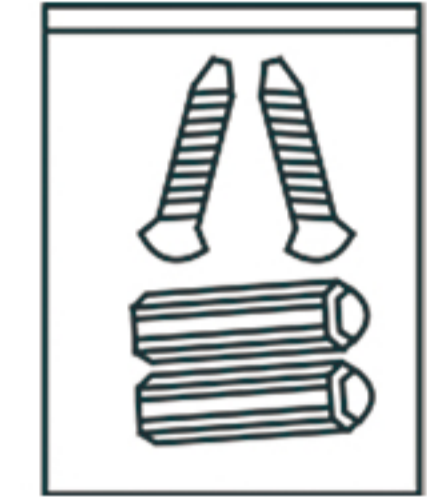
What's Include?



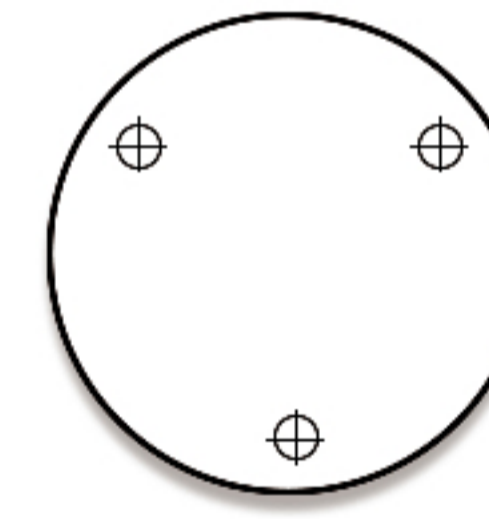
Bullet or Dome



20m Ethernet Cable



Screw Accessory Pack



Positioning Stickers



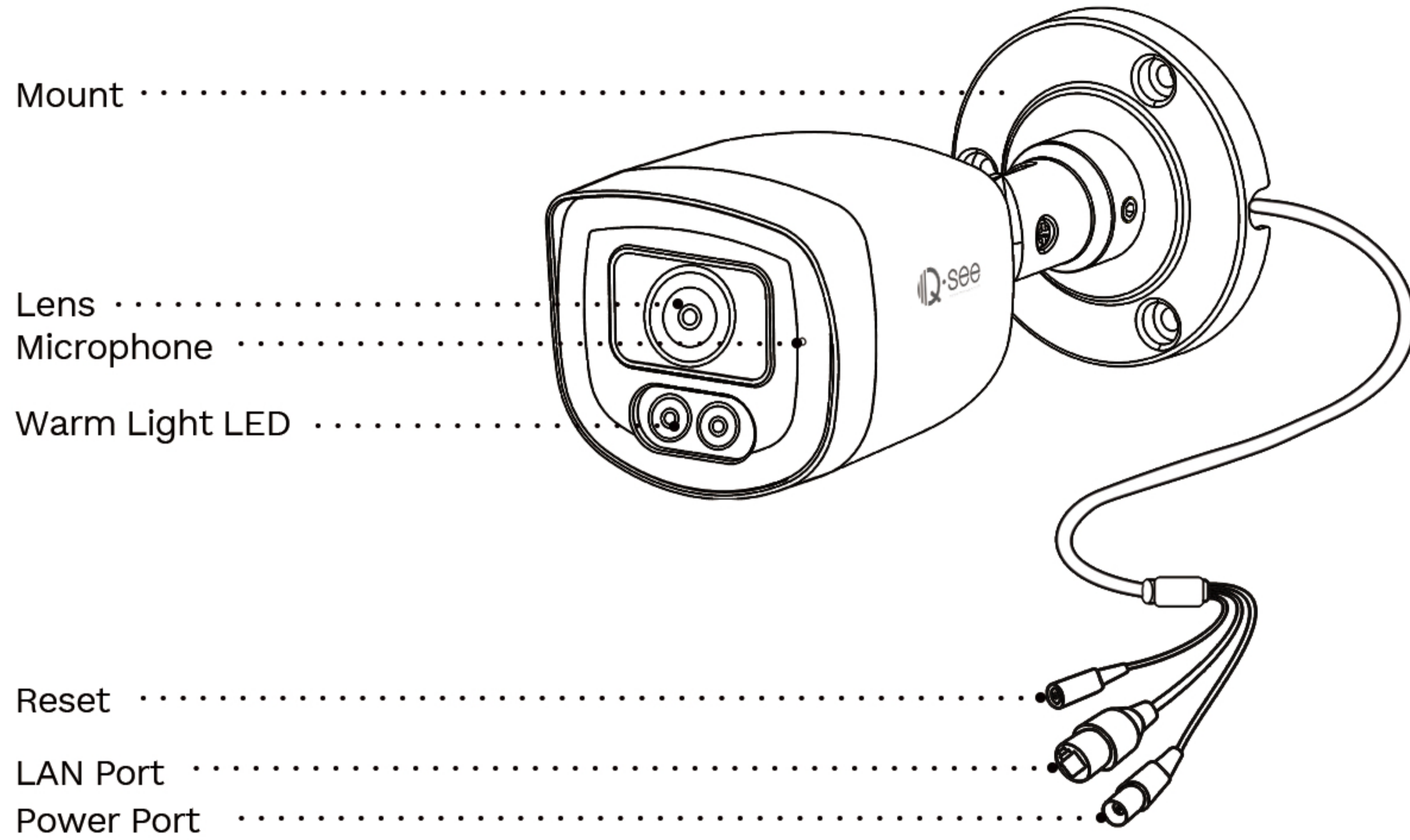
Quick Start Guide



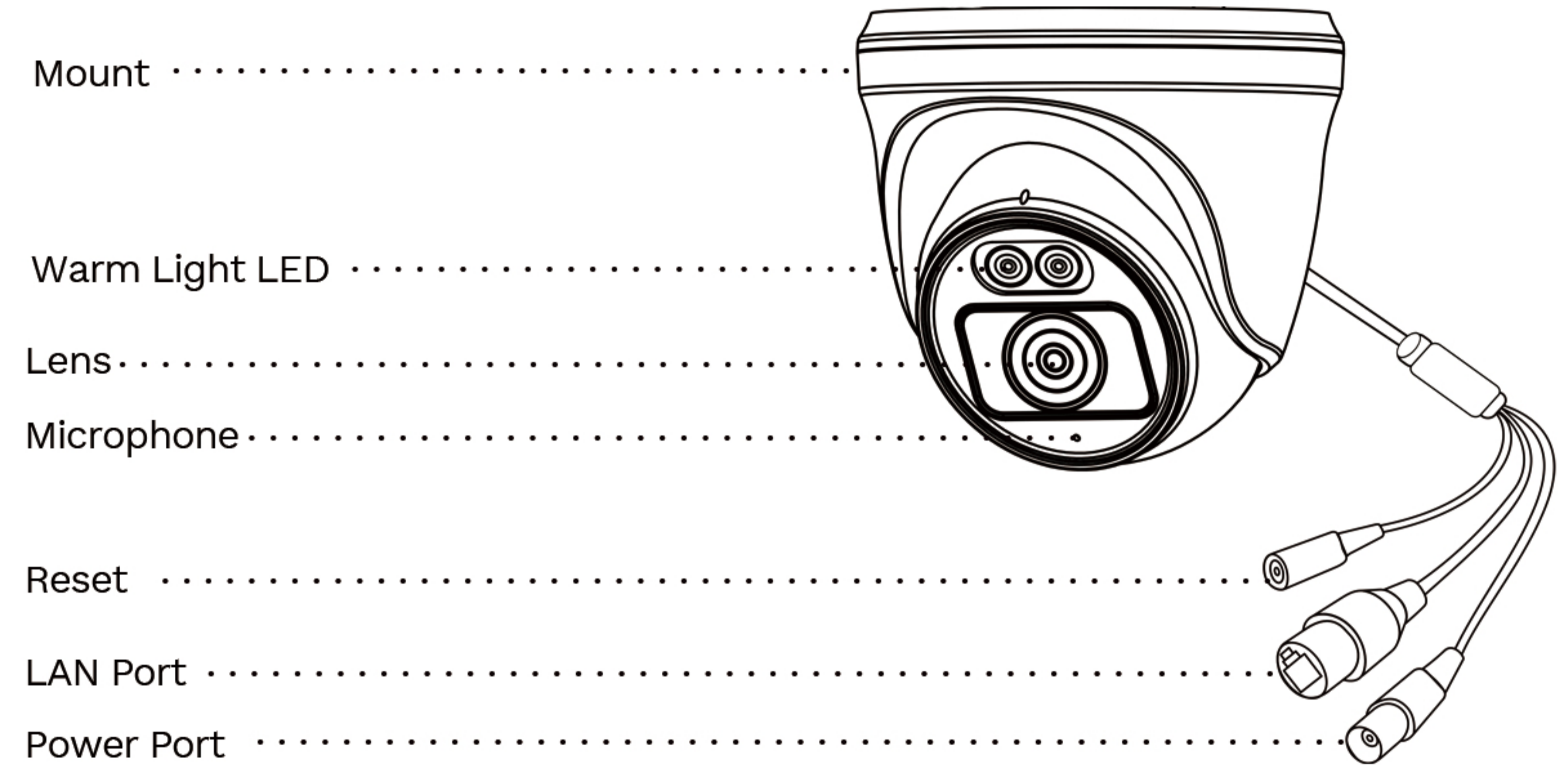
Surveillance Card

NOTE:-After unboxing, check that the console is intact and fully equipped.

Camera Introduction

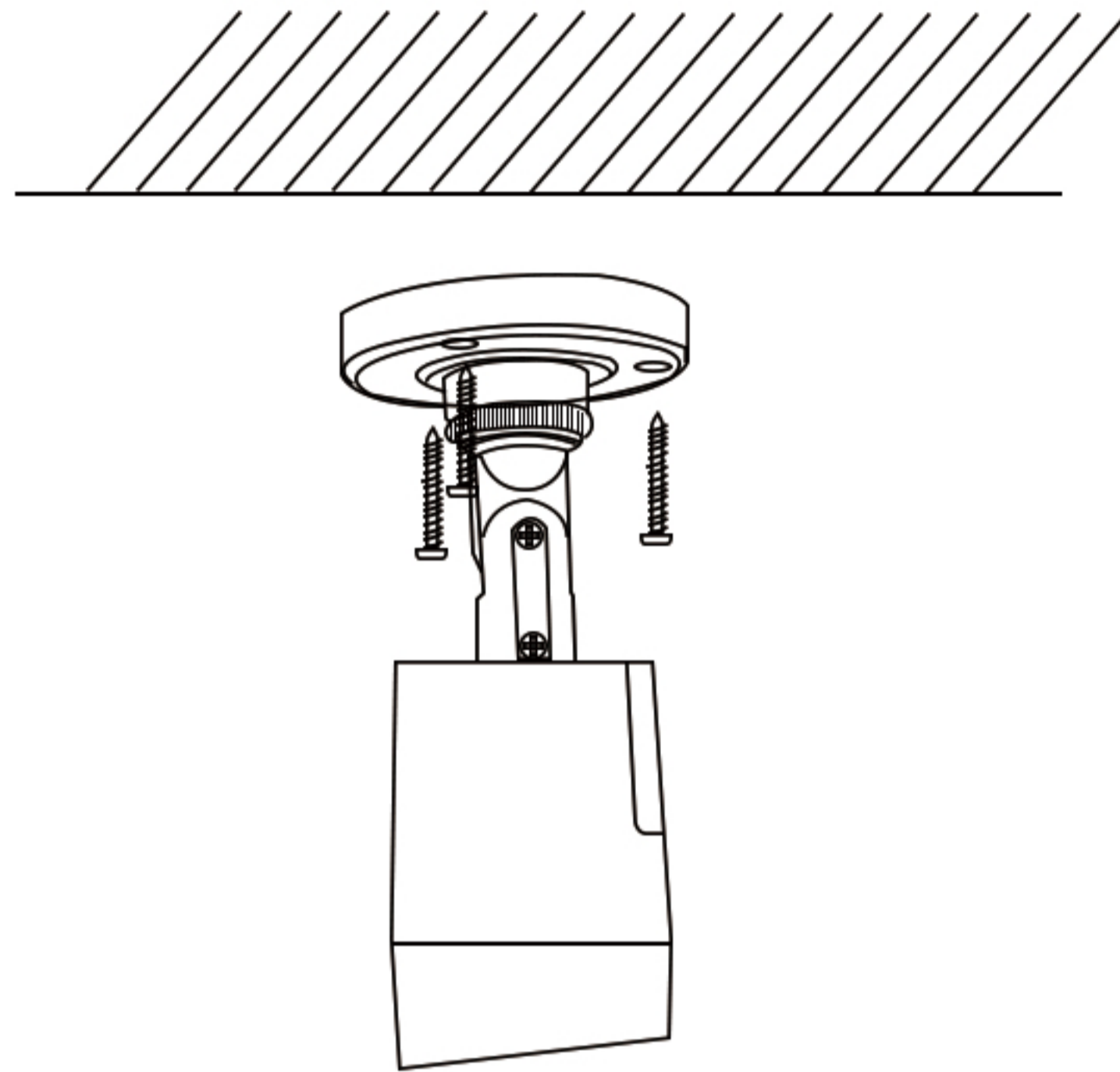


NOTE:-The actual appearance and components may vary with different model of product.

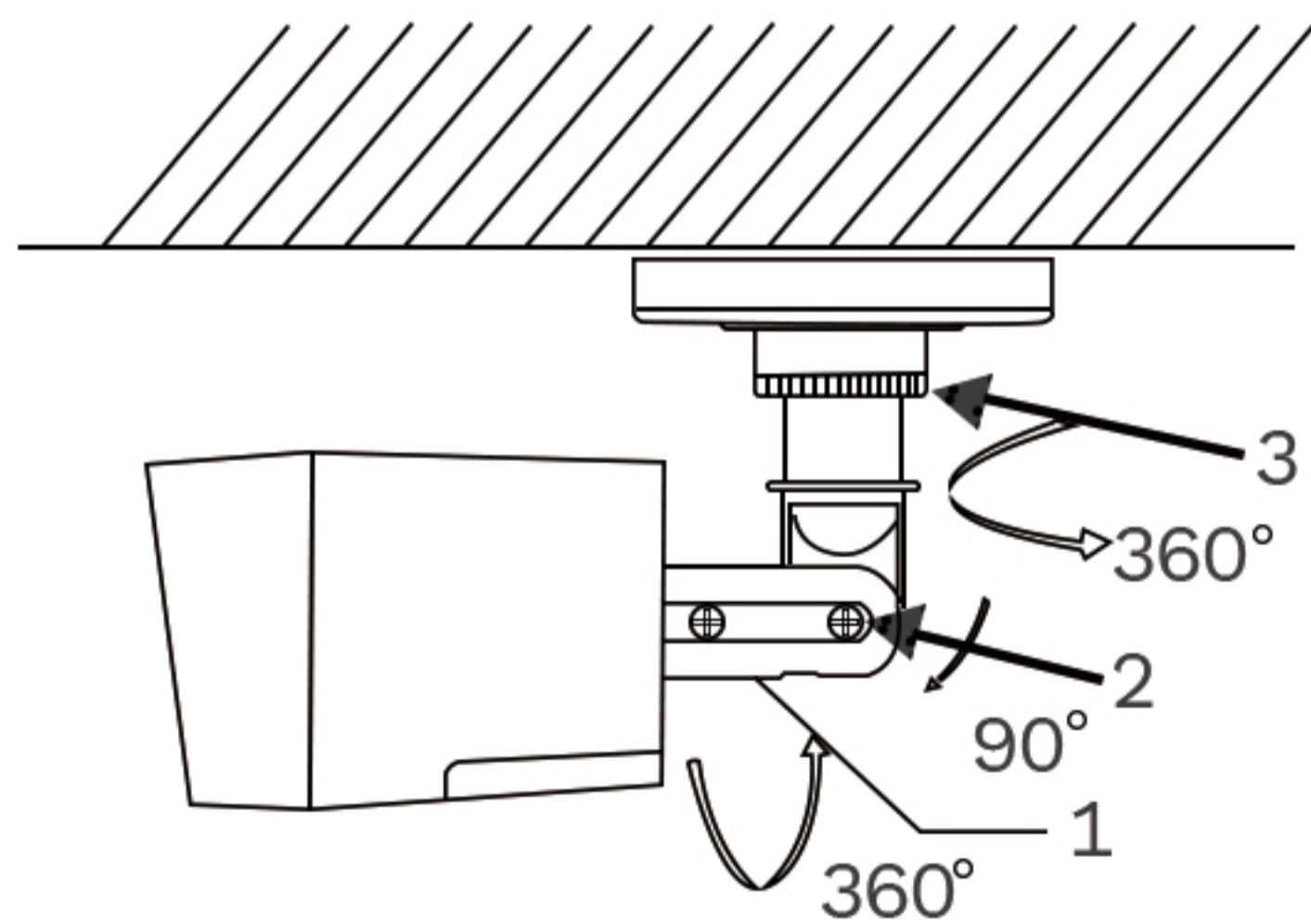


NOTE:-The actual appearance and components may vary with different model of product.

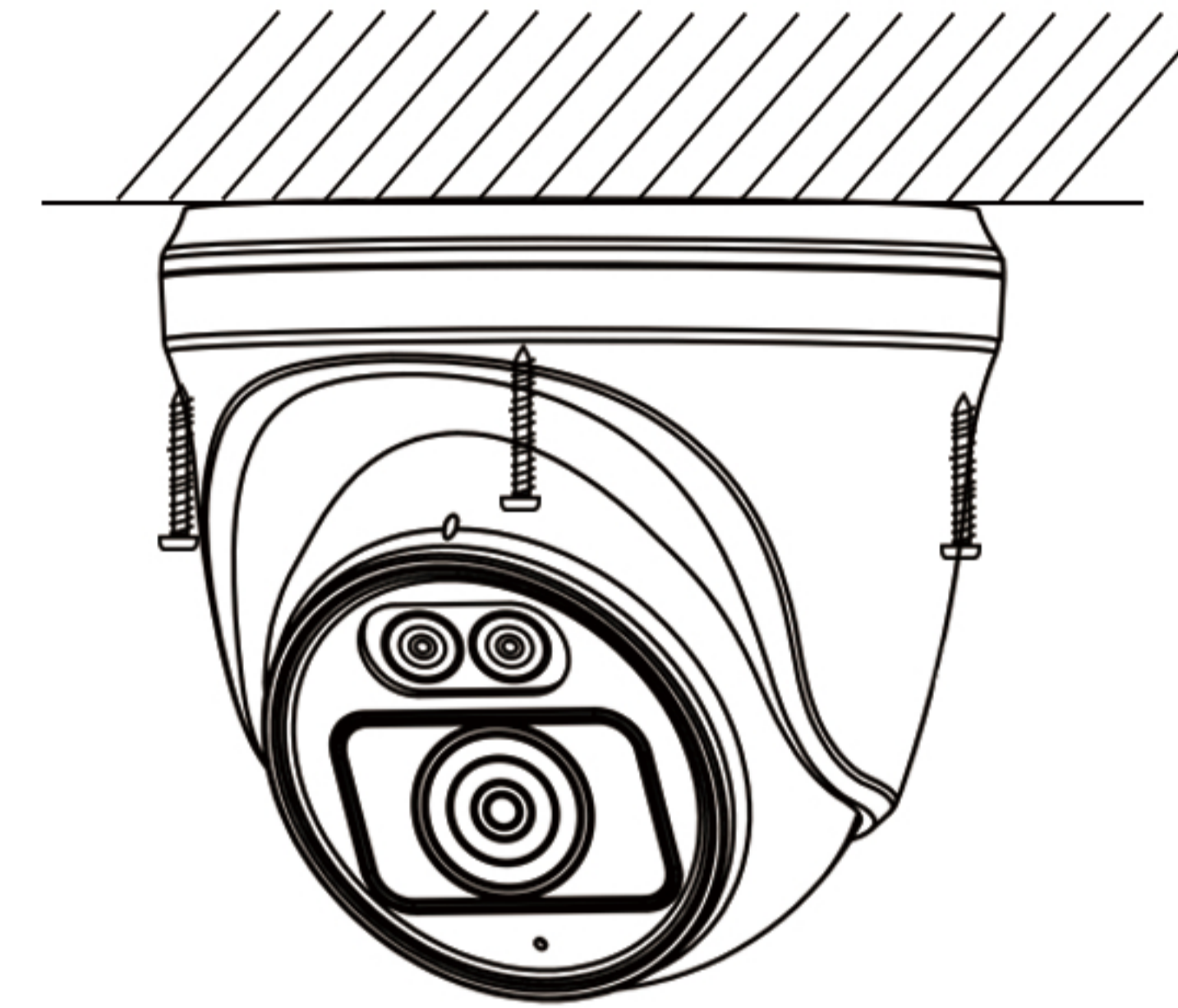
Ceiling Mount Guidelines for Camera



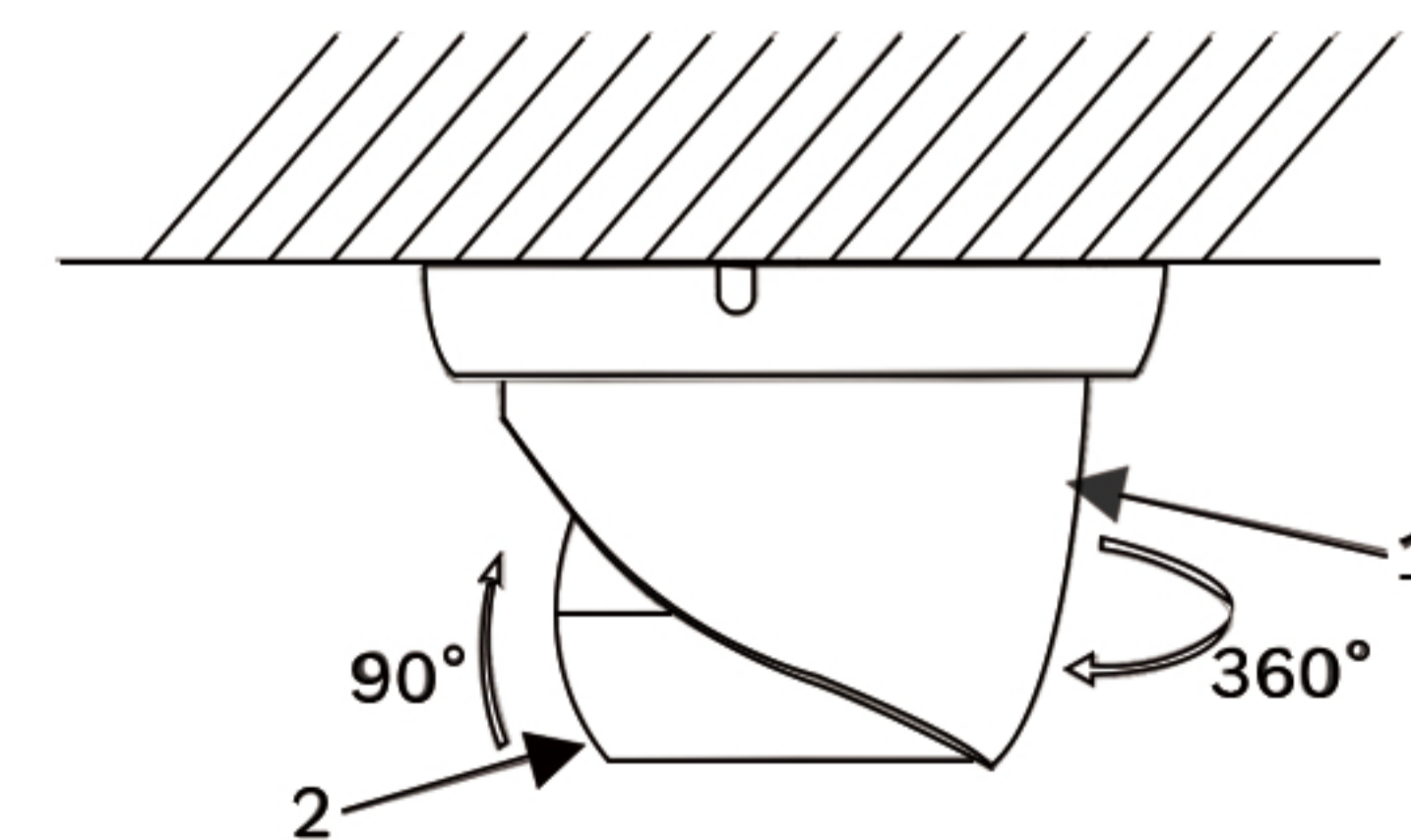
- 01/ Drill the screw holes in the ceiling according to the bracket.
- 02/ Connect the corresponding power cable and video cable.
- 03/ Fix the camera to the ceiling with the supplied screws.



- 04/ Adjust the surveillance angle
 - 1) Loosen No.3 with adjusting screw to adjust the panning position ($0^{\circ} \sim 360^{\circ}$).
 - 2) Tighten No.3 with adjusting screw.
 - 3) Loosen the No.2 with adjusting screw to adjust the tilting position ($0^{\circ} \sim 90^{\circ}$).
 - 4) Tighten No. 2 with adjusting screw.
 - 5) Loosen No.1 with adjusting screw to adjust the azimuth angle of the image ($0^{\circ} \sim 360^{\circ}$).
 - 6) Tighten No.1 with adjusting screw.



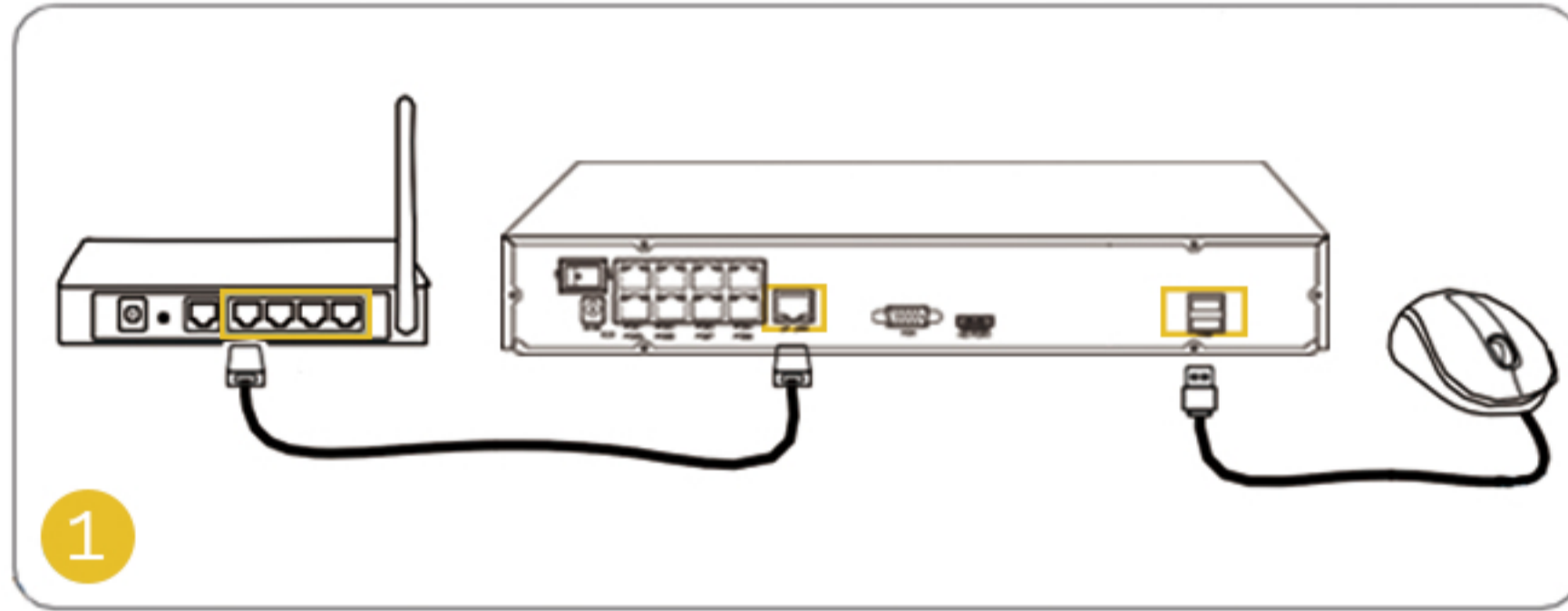
- 01/ Drill the screw holes in the ceiling according to the case.
- 02/ Connect the corresponding power cable and video cable.
- 03/ Fix the camera to the ceiling with the supplied screws.



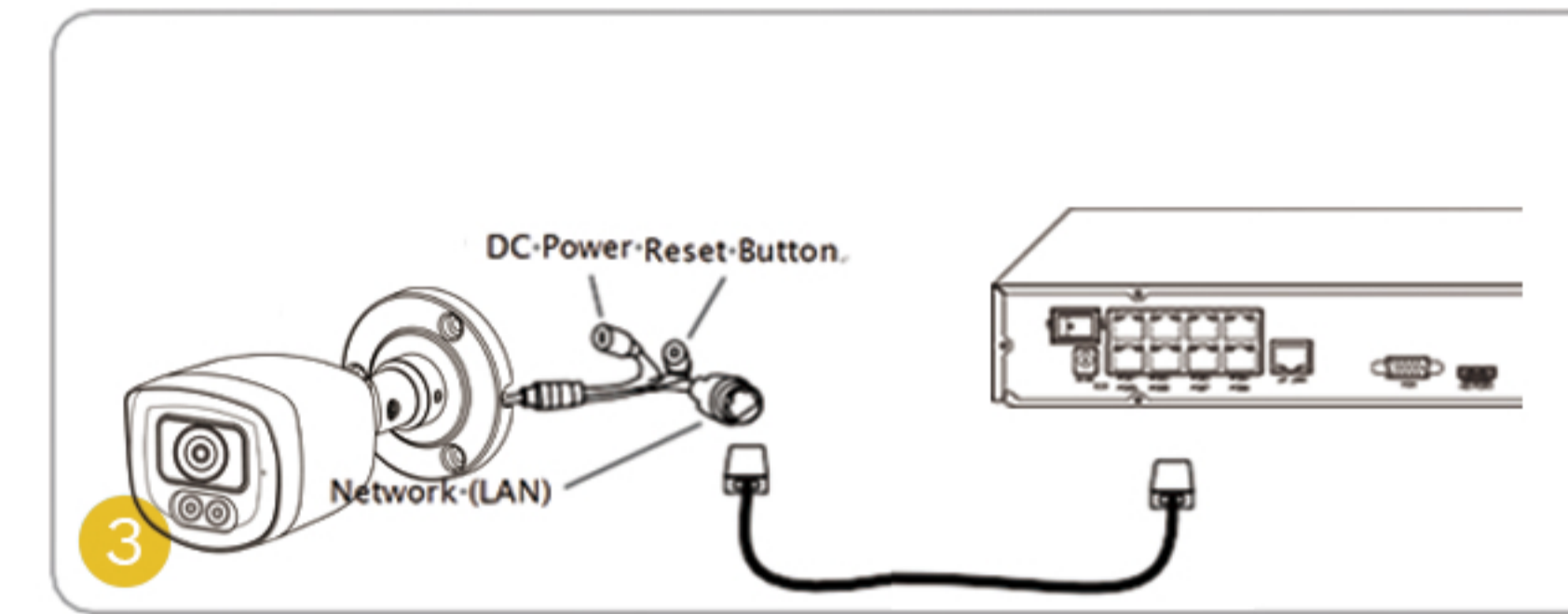
- 04/ Adjust the surveillance angle
 - 1) Adjust the panning position ($0^{\circ} \sim 360^{\circ}$).
 - 2) Adjust the tilting position ($0^{\circ} \sim 90^{\circ}$).

Connect Cameras to NVR

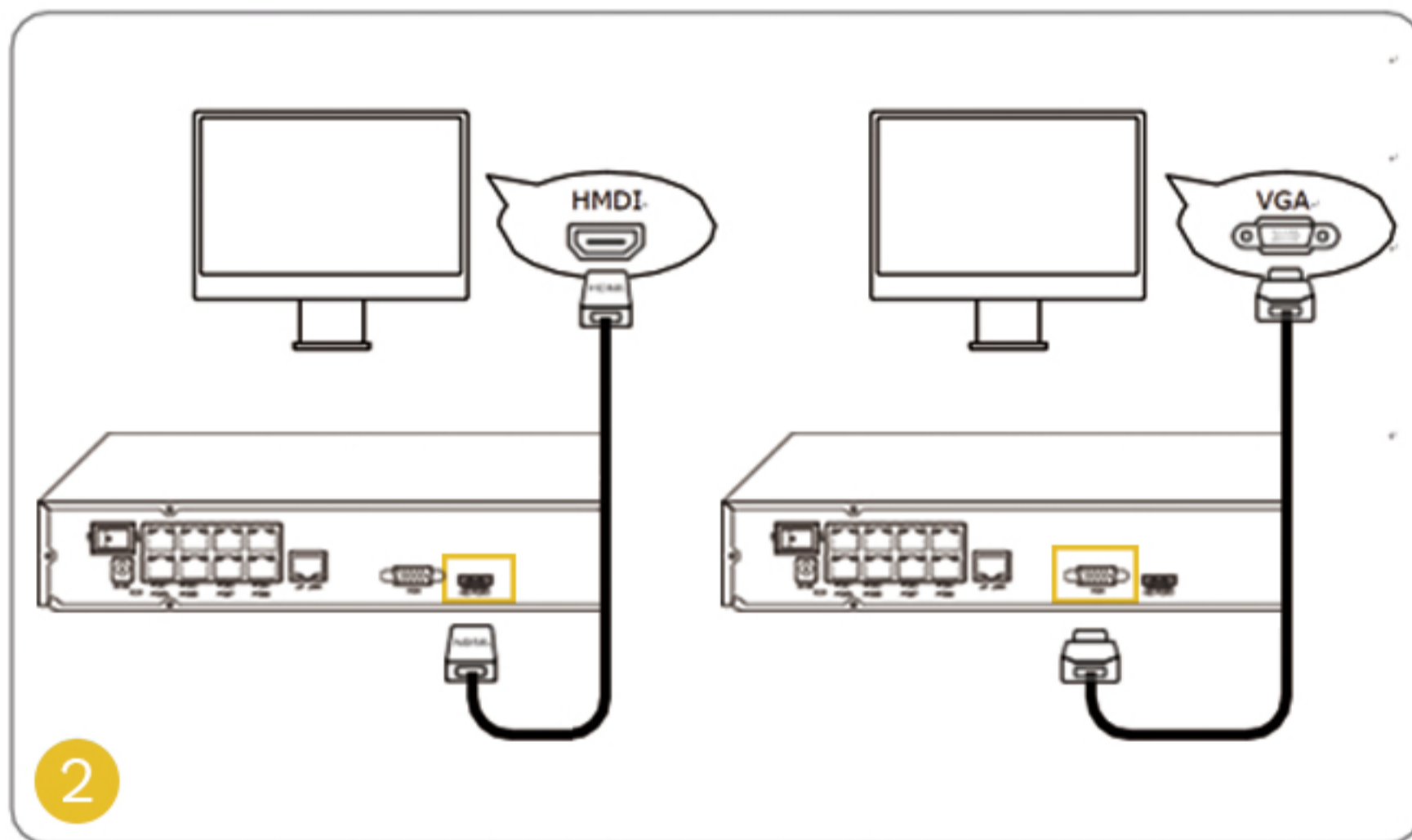
Set up your device as per the quick set up guidance below



Connect the NVR (LAN port) to your router with an ethernet cable. Next, connect the mouse to the USB port of the NVR

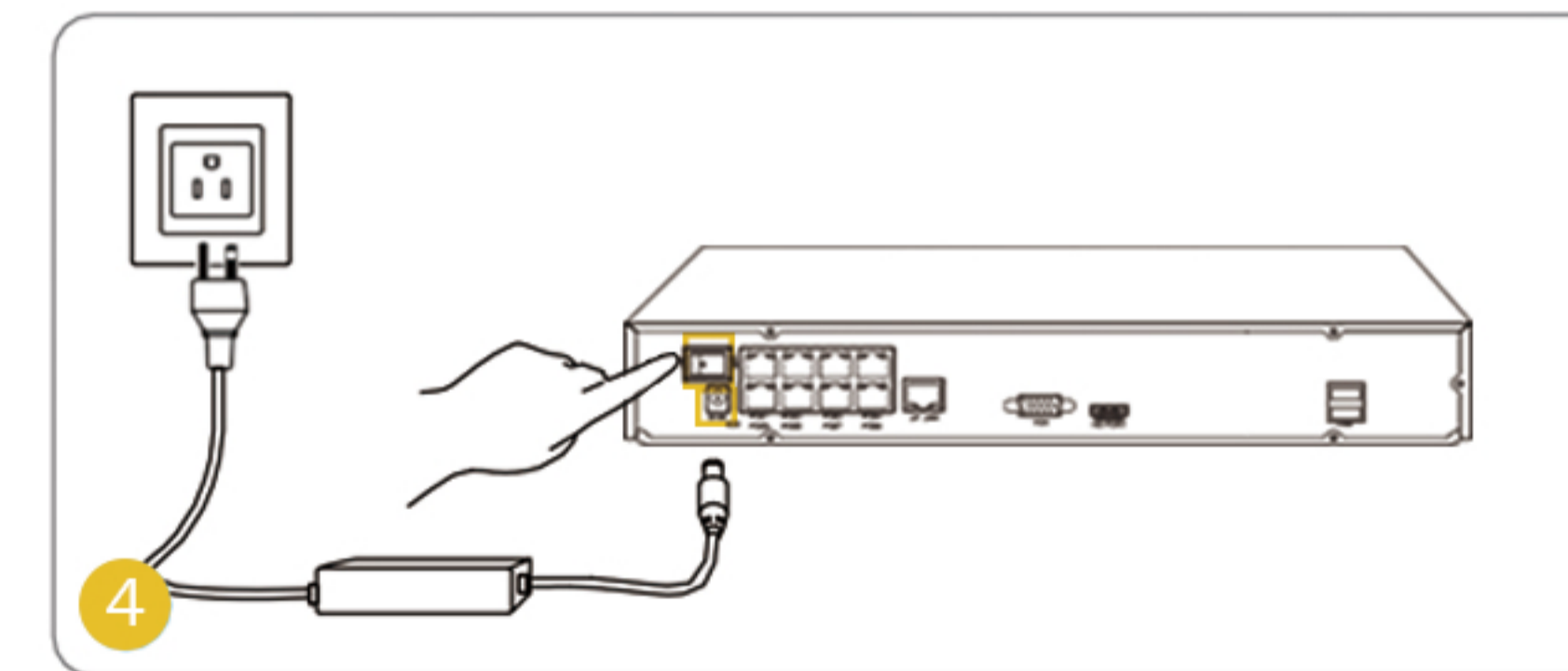


Connect the Camera to NVR with an ethernet cable.



Connect the NVR to the monitor with a VGA or HDMI cable.

NOTE: There is no VGA/HDMI cable included in the package.

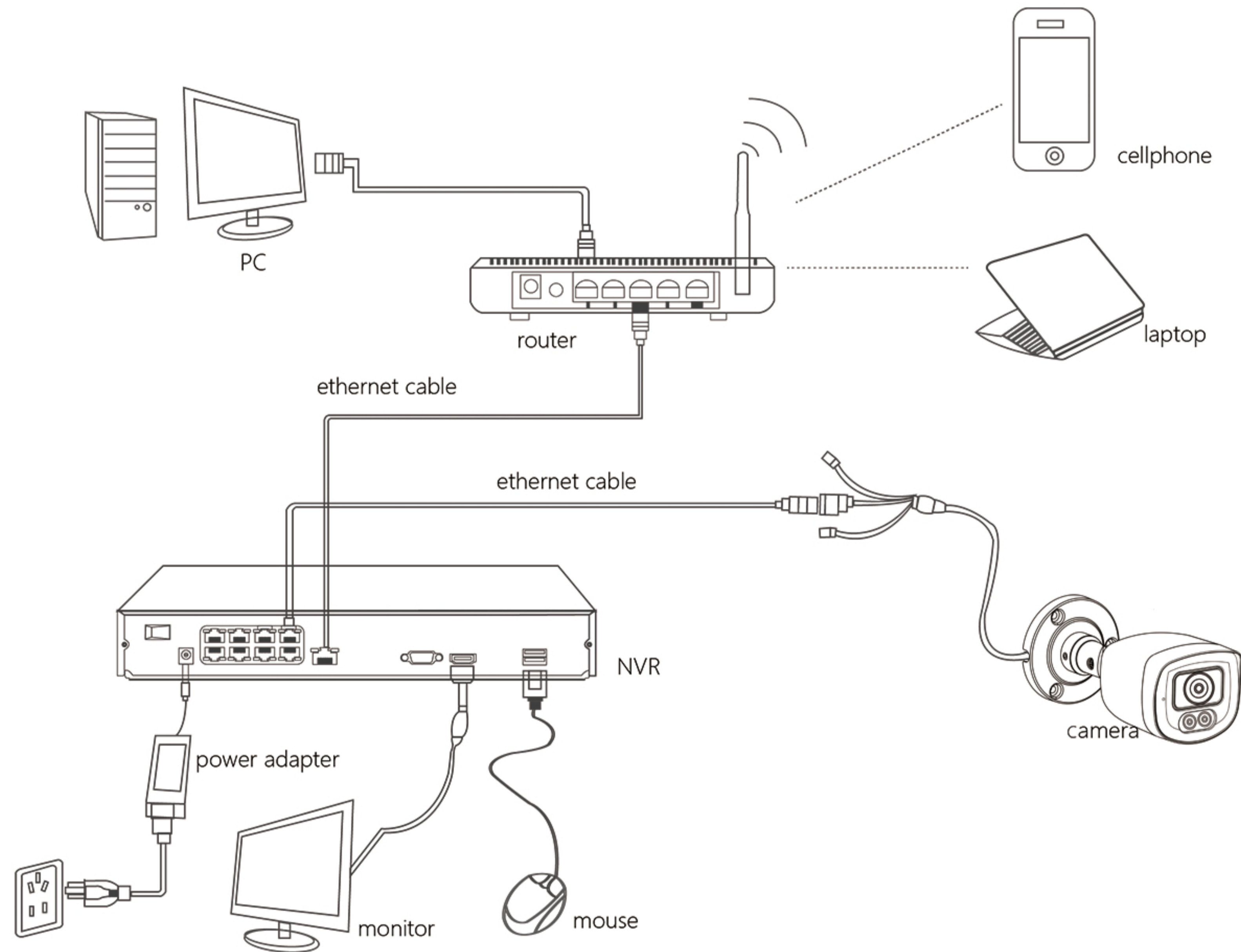


Connect the NVR to a power adapter and turn on power switch.

NOTE: NVR is not included in the package.

Connection Diagram

Do not install the camera near high voltage sources or other sources of electrical interference, otherwise the video signal may be poor.



NOTE: The above diagram is only for connection guidance, part of the accessories are not included in the box.

Specification

Camera

Video Compression:	H.264/H.265
Resolution:	8MP/5MP/2MP
Night Vision:	20 Meters (65.6ft)
Day/Night Mode:	Auto Switchover
Power Supply:	PoE or DC12V/2A
Operating Temperature:	-20°C ~ 50°C(-4 °F ~ 122 °F)
Operating Humidity:	10%~90%
Weather Resistance:	IP66(Plastic);IP67(Metal)

Camera Installation Tips

- Do not point the camera towards a glass window, or it may result in poor image quality which can lead to miss some important details of what you care about.
- Do not face the camera towards any light sources.
- Do not place the camera in a shaded area and point it towards a well-lit area. Or it may result in poor image quality. To ensure best image quality, the lighting condition for both the camera and area of surveillance should be same.
- To ensure better image quality, it's recommended to clean the lens with a soft cloth from time to time.
- Make sure the power ports are not directly exposed to water or moisture and not blocked by dirt or other elements.
- With IP waterproof ratings, the camera can work properly under conditions like rain and snow. (it can't use for underwater surveillance).
- Do not install the camera at places where rain and snow hit the lens directly.
- High mounting positions work best since they keep the security camera out of reach of intruders, curious children or inquisitive pets.

If you encounter any troubles in product information, product installation and use, please email us at support@q-see.com or refer us to our website www.q-see.com

FAQ's

What NVR does the camera support?

The default output signal of the Qsee PoE IP camera is H.265 5MP@25ps/8MP@15fps, supporting video and audio recording. Due to most function depend on private protocol this camera only work with Qsee NVR, like QP08081NR, QP16081NR.

If you encounter any troubles in product information, product installation and use, please email us at support@q-see.com or refer us to our website www.q-see.com

Give us your feedback

Qsee strive for a high-quality product and user experience, we're eager to hear your feedback or suggestions. Send your feedback through the Qsee App, email at support@q-see.com, or share a post by tagging Qsee on social media platform

 @Q-See,  @qseesecuritysystems.

Notification of Compliance

FCC Statement

This device complies with Part 15 of FCC rules. Operation is subject to the condition that this device may not cause harmful interference.

NOTE:- This equipment has been tested and found to comply with the limits for a class B digital device, pursuant to part 15 of the FCC rules. These limits are designed to provide reasonable protection against harmful interference in a residential installation.

CE Declaration

Qsee declares that this device in compliance with essential requirements and other relevant provisions of EMC directive 2014/30/EU.

RoHS Compliance declaration

Qsee products delivered to our customers confirm to the RoHS requirements, in which six banned substances are not detected or are under the limitation. The Restriction of Hazardous Substances Directive (EU) 2015/863 and (EU)2017/2102 amending Annex II to Directive 2011/65/EU. This declaration is based on Qsee's understanding of the RoHS directive and knowledge of the materials that go into products.

Warranty

This product comes with a 2-year warranty, under certain conditions. Learn more :www.q-see.com/policies/refund-policy

NOTE:- If you are not satisfied with the new Qsee product purchase, we suggest you to reset the camera and return it under specific conditions.

Terms and Privacy

Use of the product is subject to your agreement to the terms of service and privacy policy at www.q-see.com. Keep out of reach of children.

End User License Agreement

By using the product software that is embedded in the Qsee product, you agree to the terms of this end user license agreement between you and Qsee. Learn more: www.q-see.com/policies/terms-of-service

Technical Support

If you need any technical help, please visit our official support site and contact our support team before returning the products.

Email: support@q-see.com

Web: www.q-see.com