




Installation Instructions

<p>RalliTEK Adjustable End Links</p>	
<p>Suggested Tools</p>	<ul style="list-style-type: none">• Metric Allen Keys, Sockets, Wrenches• Breaker Bar, Torque Wrench• Jack, Jack Stands, Wheel Chocks
<p>Safety Warnings</p>	<ul style="list-style-type: none">• Always support the vehicle with jack stands before working underneath• Use only the parts supplied by RalliTEK to install this kit• Check ALL the fasteners for tightness before and after road testing the vehicle• Do not use an air impact wrench with re-installing bolts as stripped threads may occur
<p>Note</p>	<p>RalliTEK endlinks are engineered and tested to fit in OEM mounting locations and with RalliTEK drop brackets only. Installation with other aftermarket parts may damage the endlinks and void the warranty.</p>

RalliTEK End Link Installation Instructions

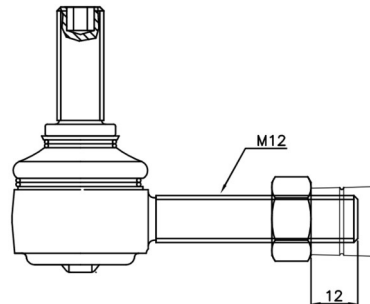
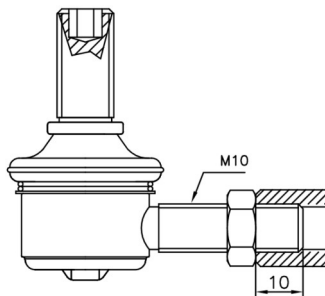
Remove old end links

- Jack up the vehicle and support with jack stands. Use a wheel chock and the parking brake to prevent the vehicle from rolling.
- Use the 19mm socket and breaker bar to remove front wheels
- Remove old end links from vehicle

Installation of new end links

- If included, install grease zerk fittings with 8mm wrench or socket until snug (approximately 17 in-lb)--Do not over tighten.
- Use grease gun to lubricate ball joints with Lucas RED "N" TACKY #2 grease or equivalent
- Set end link length to OEM+ desired compensation for lift height by adjusting center turnbuckle. Verify that there is an equal amount of thread on each end, leave jam nuts loose.
- Install end links on car
- Adjust center turnbuckles until there is little to no resistance when turning. The goal is to remove any sway bar preload and tighten the jam nuts. **Minimum thread engagement pictured below in mm.**
- Reinstall wheels. Check end link clearance at full droop and with car on the ground through the full steering range.

Minimum Thread Engagement



WARRANTY

RalliTEK Products Lifetime Warranty

RalliTEK branded products are warranted to the original owner against manufacturing defects in materials and workmanship for the lifetime of the product.

If a RalliTEK branded product covered by this warranty fails due to a manufacturing defect, we will repair the product, without charge, or replace it at our discretion. This policy covers only original, unaltered, and unmodified materials and workmanship. This warranty does not cover damage caused by incorrect installation, accident, improper care, negligence, normal wear and tear, or the natural breakdown of colors and materials over extended time and use. Damage not covered under warranty may be repaired for a reasonable rate and a fee will be charged for return shipping.

For warranty evaluation, please contact RalliTEK Customer Service via phone **(503) 619.0055** or email support@rallitek.com to obtain a return authorization. Once this step has been completed, your product must be returned directly to the **RalliTEK Warranty Department, 13339 NE Airport Way, Suite 500, Portland, OR 97230**. All shipping to the Warranty Department must be pre-paid and insured. RalliTEK will not be liable for damaged or lost inbound packages.

NOTE:

- This warranty is only available within the United States or Canada
- This warranty does not cover products sold by RalliTEK that are not RalliTEK branded products
- This warranty gives you specific legal rights; you may have other rights, which vary from state to state

