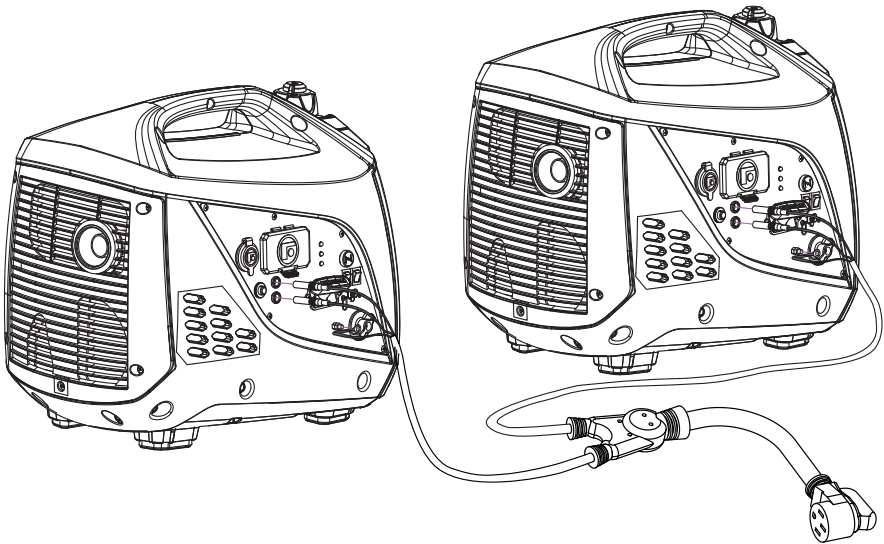


FIRMAN[®]

OPERATOR'S MANUAL PARALLEL CORD



MODEL NUMBER

2040

REV Level 00

RECORD PRODUCT INFORMATION TO REFERENCE WHEN ORDERING PARTS
OR OBTAINING WARRANTY COVERAGE.

STOP DO NOT RETURN
TO STORE!

CALL US FIRST
1-844-347-6261

FOR QUESTIONS
OR SERVICE INFORMATION



SERIAL NUMBER: _____

PURCHASE DATE: _____

P/N: 320741406 Rev00

OPERATION

REGISTER YOUR PRODUCT

Register your product using the QR code provided or at www.firmanpowerequipment.com



This parallel kit is intended to be used only with FIRMAN inverter generators (W01600 series/ W01700 series/ W(H)02900 series/ W(H)03000 series/ W(H)03200 series/ W(H)03300 series/ W(H)03500 series/ W(H)03600 series/ W02000 series).

NOTICE

Read generator operator's manual and follow all instructions to use the product safely.

Safety Instructions:

- Follow all safety and operating instruction for proper use.
- NEVER connect or disconnect the parallel kit cables from the generators while running. Doing so will cause permanent damage not covered under warranty.
- The load requirement of the electrical appliance cannot exceed the combined continuous output of the paralleled generators. Please refer to your generator(s) operator's manual for more information.
- This parallel kit cannot be used for paralleling three or more generators or running two different brands of generators.
- Keep away from water. Do not use when wet. Keep children and pets away from cord.
- AVOID OVERHEATING. Do not cover cord with any material.

NOTICE

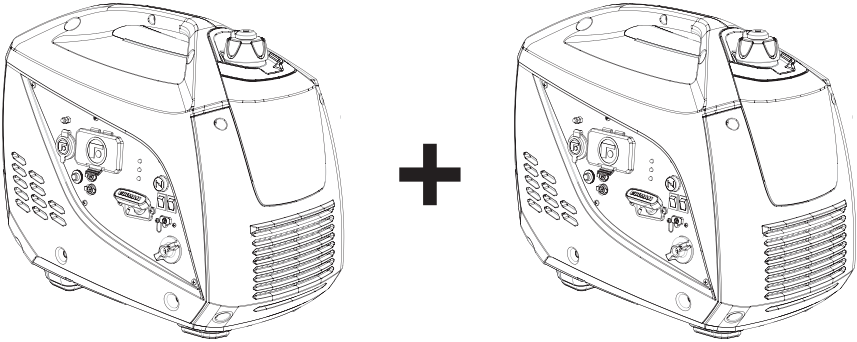
Both generators must be running and both generators green output indicator lights must be on prior to using parallel cord. If both generators green output indicator lights are not on refer to generators operator's manual prior to using parallel cord.

NOTICE

The parallel cord maximum total output is 50A (6000W). The parallel cord is made up of two separate branch cables that connect to each generator. Each branch cable is rated 125V-30A. Do not exceed total output of 50A (6000W).

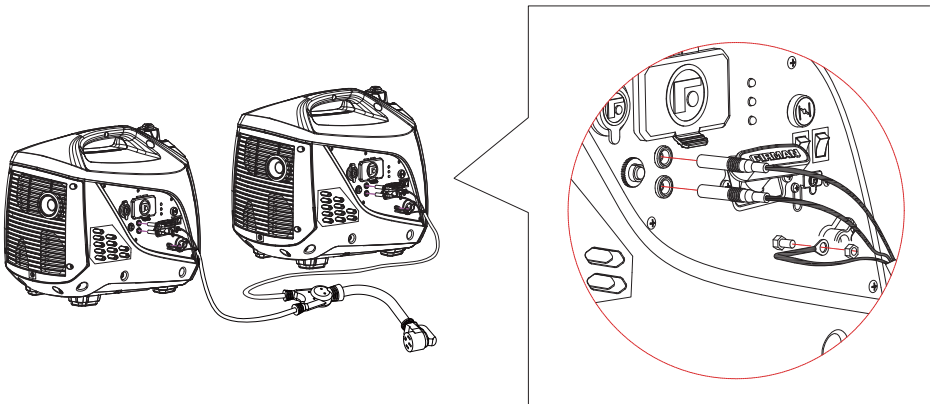
Parallel Operation Procedure:

1.Prepare two FIRMAN inverter generators following their operator's manuals.



2.Plug the two parallel cable pin connectors into the corresponding generator locations.

3.On each generator unscrew the panel ground connecting nut and connect the green cable. Once green ground wires are installed retighten ground connecting nut.



4.Following generators operator's manuals start both generators.

5.Confirm that both "output indicator" lights are illuminated on the generators.

6.Securely plug your 50A -125V electrical appliance into parallel cord output receptacle and turn on appliance.

OPERATION

Parallel Output and Overload Lights

NOTICE

See generators operator's manuals for grounding requirements. There may also be Federal or State regulations, local codes, or ordinances that apply to grounding. Consult an electrician or authority having jurisdiction for local grounding requirements.

1. Please refer to your generator's operator's manual for indicator light and power output status of your generators.
2. If the generators are overloaded, remove all electrical loads from the generators by disconnecting all electrical appliances from the 125V receptacle on the parallel kit and then determine and correct the cause of the overload.
3. To reset the overload light you may need to power down both generators and allow the units to cool. Cooling time will vary with ambient temperature. Follow restart procedure for both generators.

Powering down the generators:

1. Turn off all electrical appliances connected to parallel cord receptacle.
2. Unplug the appliance power cord from the parallel cord receptacle.
3. Turn off generators as instructed in generators operator's manuals.
4. Disconnect the pin connectors and ground connection from the two generators.

NOTICE

Before disconnecting paralleling cords from each generator make sure each generator has been turned off.

WARRANTY

FIRMAN 120 Day Limited Warranty

Warranty Qualifications

Register your product using the QR code provided
or at www.firmanpowerequipment.com.

Please submit your warranty registration and your
proof of purchase within ten(10) days of the date
of purchase.



Replacement Warranty

FIRMAN warrants to the original purchaser that the parallel cord components will be free of defects in material and workmanship for a period of 120 days from the original date of purchase. Transportation charges on product submitted for replacement under this warranty is the sole responsibility of the purchaser. This warranty only applies to the original purchaser and is not transferable.

Do Not Return the Unit to the Place of Purchase

Contact FIRMAN customer service and FIRMAN will troubleshoot any issue via phone or e-mail. If the problem is not corrected by either of these methods, FIRMAN will, at its option, authorize replacement of the defective parallel cord.

Warranty Exclusions

This warranty does not cover the following:

Normal Wear

This warranty does not cover replacement when normal use has exhausted the life of the parallel cord as a whole.

Parallel Cord Use

This warranty will not apply if your parallel cord is deemed to have been misused, neglected, involved in an accident, abused, loaded beyond the parallel cord limits, modified, or connected incorrectly to any electrical component.

Other Exclusions

This warranty excludes:

- cosmetic defects
- failures due to acts of God and other force majeure events beyond the manufacturer's control

Limits of Implied Warranty and Consequential Damage

FIRMAN disclaims any obligation to cover any loss of time, use of this parallel cord, shipping, or any incidental or consequential claim by anyone from using this parallel cord.

THIS WARRANTY IS IN LIEU OF ALL OTHER WARRANTIES, EXPRESS OR IMPLIED, INCLUDING WARRANTIES OF MERCHANTABILITY OR FITNESS FOR A PARTICULAR PURPOSE.

A parallel cord provided as an exchange will be subject to the warranty of the original parallel cord. The length of the warranty governing the exchanged parallel cord will remain calculated by reference to the purchase date of the original parallel cord.

This warranty gives you certain legal rights which may change from state to state. Your state may also have other rights you may be entitled to that are not listed within this warranty.

Contact Information

You may contact FIRMAN at:

Address

FIRMAN POWER EQUIPMENT INC.

8644 W. Ludlow Dr.

Peoria, AZ 85381

1-844-347-6261

www.firmanpowerequipment.com

We are FIRMAN POWER - And we are here for you.

FOLLOW US ON SOCIAL MEDIA

USA

#EVERYGENERATORTELLSASTORY™

FOR YOUR CHANCE TO WIN FIRMAN SWAG



FIRMAN POWER EQUIPMENT INC.

8644 W. Ludlow Dr.

Peoria, AZ 85381

1-844-347-6261

www.firmanpowerequipment.com

All rights reserved. Any reprinting or unauthorized use without the written permission is expressly prohibited.
P/N: 320741406 Rev00