



LOVSUN SERIES 5

530-550W Mono ALL BLACK

M10/182mm Cell . 144 Half-Cell Layout



Assembled with the breakthrough M10 (182mm) high power cells, LOVSUN® Series 5 ALL BLACK solar modules combine the impressive aesthetic appearance with the innovative technologies of gallium-doped wafer, half-cut cell, multi busbars and integrated segmented ribbon interconnection. The perfect visual effect, together with the high power generation performance and the reduced LID, hot spot and shading risks, make it ideal for residential rooftop application.



Full Black Appearance for Aesthetic Effect



Gallium-doped Technology



Half Cut Cell Technology



Anti-PID Low LID Performance

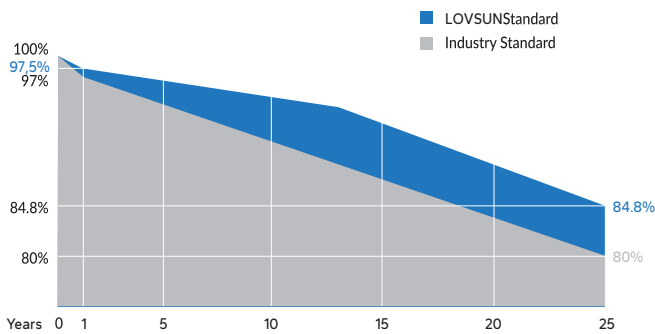


Less Hot Spot Shading Effects



Ideal for Residential Rooftop Application

Linear performance Warranty



Comprehensive Certificates

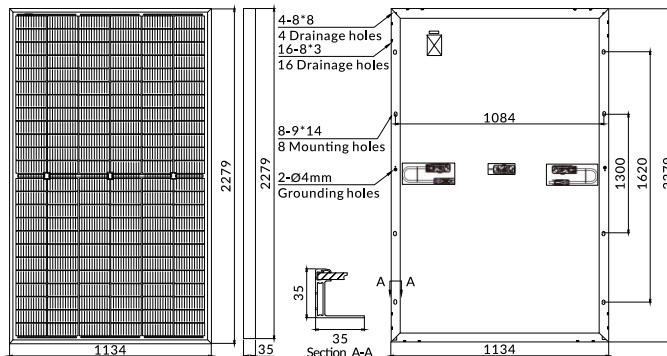
- ISO9001:2015 QMS
- ISO14001:2015 EMS
- ISO45001:2018 OHSMS
- IEC61215 / IEC61730 Standard quality



LOVSUN Mono I 530 - 550W ALL BLACK

MECHANICAL CHARACTERISTICS

| | |
|----------------------|-------------------------------|
| Solar Cells | Mono |
| No. of Cells | 144 (6x24) |
| Dimensions | 2279 x 1134 x 35mm |
| Weight | 28.5kgs |
| Front Glass | 3.2mm coated tempered glass |
| Frame | Anodized aluminium alloy |
| Junction Box | Ip68 rated (3 by pass diodes) |
| | 4.0mm ² |
| Output Cables | 300mm (+) / 400mm (-) |
| | Length can be customized |
| Connectors | Mc4 compatible |
| Mechanical load test | 5400Pa |



ELECTRICAL PARAMETERS

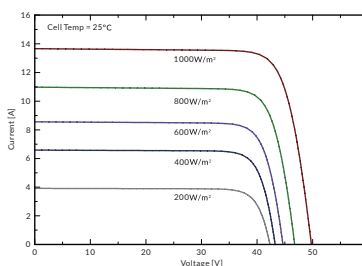
| POWER CLASS | LV-530M | | LV-535M | | LV-540M | | LV-550M | |
|---------------------------------|---------|--------|---------|--------|---------|--------|---------|--------|
| | STC | NOCT | STC | NOCT | STC | NOCT | STC | NOCT |
| Maximum power (Pmax) | 530W | 401W | 535W | 405W | 540W | 409W | 550W | 413W |
| Open Circuit Voltage (Voc) | 49.74V | 47.16V | 49.89V | 47.40V | 50.04V | 47.63V | 50.18V | 47.87V |
| Short Circuit Current (Isc) | 13.62A | 10.91A | 13.69A | 10.95A | 13.76A | 10.99A | 13.83A | 11.03A |
| Voltage at Maximum power (Vmpp) | 41.63V | 38.97V | 41.80V | 39.21V | 41.96V | 39.44V | 42.12V | 39.67V |
| Current Maximum Power (Impp) | 12.73A | 10.29A | 12.80A | 10.33A | 12.87A | 10.37A | 12.94A | 10.41A |
| MODULE EFFICIENCY (%) | 20.51% | | 20.70% | | 20.89% | | 21.09% | |

STC: Irradiance 1000W/m², cell temperature 25°C, AM1.5G NOCT: Irradiance 800W/m², ambient temperature 20°C, wind speed 1m/s, AM1.5G

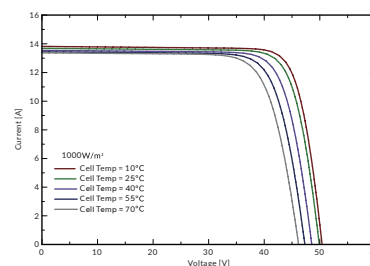
PACKING CONFIGURATION

| | | |
|-----------------------|-------|-------|
| Container | 20'GP | 40'HQ |
| Pieces per pallet | 31 | 31 |
| Pallets per container | 5 | 20 |
| Pieces per container | 155 | 620 |

I-V CURVE



LV-535M/I-V



OPERATING CHARACTERISTICS

| | |
|------------------------------|----------------|
| Operating Module Temperature | -40°C to +85°C |
| Maximum System Voltage | 1500 DC (IEC) |
| Maximum Series Fuse Rating | 25A |
| Power Tolerance | 0/+5W |

TEMPERATURE CHARACTERISTICS

| | |
|--------------------------------------|-----------|
| Nominal Operating Temperature (Noct) | 45±2°C |
| Temperature Coefficient of Pmax | -0.36%/°C |
| Temperature Coefficient of Voc | -0.28%/°C |
| Temperature Coefficient of Isc | +0.05%/°C |

Note: Due to continuous technical innovation, R&D and improvement, technical data above mentioned may be of modification accordingly. LOVSUNSOLAR have the sole right to make such modification at anytime without further notice.