



Product Type: **Rotating Paint Panel Stand with Tool Tray**

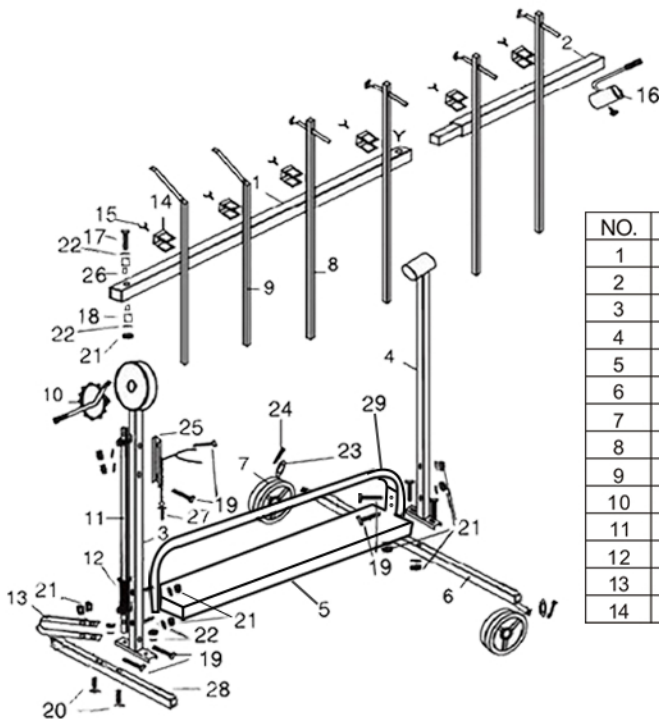
General Safety Instructions

- 1 DO NOT use this stand if any part is broken or damaged.
- 2 DO NOT use this stand as a climbing frame or hop-up.
- 3 DO NOT allow children or unauthorised persons to use this stand.
- 4 DO NOT use this stand near any electrical source.
- 5 ALWAYS clean paint overspray from all moving or adjustable parts to ensure a good grip and long life.
- 6 ALWAYS be aware of those around you and likewise be aware that your own actions may have a direct effect on those around you.
- 7 DO NOT use this stand if under the influence of drugs, alcohol or intoxicating medication.
- 8 ALWAYS use this stand in a clean, tidy and safe environment, always ensure that the stand is position on level, stable ground.
- 9 Ensure that the floor is not wet or slippery before you use this stand. Always wear non-slip footwear.
- 10 ALWAYS wear the appropriate PPE, avoid wearing loose clothing, rings and jewellery and tie long hair back.
- 11 Due to the nature of this product, there may be sharp edges on some components of this stand. It is therefore strongly recommended that suitable gloves are worn when using this stand.
- 12 This stand must not be used in anyway that compromises the stability or integrity of the stand itself or puts the operator at risk. Doing so will invalidate the warranty and void any claims resulting from damage to property or personal harm.
- 13 Always store this stand in a dry, secure environment.
- 14 Always wear suitable clothing and PPE when using this equipment. This stand has moving parts that may trap fingers or loose clothing.

Description:

- * For Garage and body shop use.
- * Ideal for doors, bonnets, bumpers, wings and spoilers etc.
- * Adjustable and rotating bars make this stand suitable for almost any panel types.
- * Portable for easy manoeuvring of application from preparation to spray booth.

Parts Breakdown



NO.	Description	Q'ty
1	Stand Pole	1
2	Stand Extension Pole	1
3	Front Brace	1
4	Rear Brace	1
5	Tool Tray	1
6	Wheel Pole	1
7	Wheel	2
8	Arm	4
9	Prop Arm	2
10	Locking Swivel Wheel	1
11	Front Bar	1
12	Front Spring	1
13	Pedal	1
14	Buckle	6

NO.	Description	Q'ty
15	Knob	6
16	Handle	1
17	Bolt M8x75	1
18	Plastical Bushing	2
19	Bolt M8x45	10
20	Hexagon Bolt M8x40	2
21	Nut M8	13
22	Washer 8	14
23	Washer 16	2
24	Cotter Pin	2
25	Spray Gun Holder	1
26	Ring Washer	2
27	Front Bar Rin	1
28	Feet Pole	1
29	Connect Bar	1