

October 2021

SUSPENSION CATALOG

GAFF® POLYURETHANE COMPONENTS



Chalmers	4
800 Series Tandem Axle, Truck	4
Suspension Components.....	5
Freightliner	6
FAS II AIR RIDE.....	6
Truck/Tractor.....	6
TufTrac Suspension	7
Suspension Components.....	8
Cab Mounts.....	10
Hood Latches & Hood Hinges.....	12
Motor Mounts.....	14
Radiator & Exhaust Mounts.....	16
Clutch & Transmission Bushings	17
Fruehauf.....	18
F-2 Standard / F-2 Wide-Base Hangers - Leaf Spring.....	18
Suspension Components.....	19
Hendrickson.....	20
HA 360/400/460 Tandem Axle Air Suspension	20
HAS 360/400/460 Tandem Axle Air Suspension	21
HAULMAAX Rubber Bolster Spring Suspension	22
HN-402/462/522 & HN-FR Rubber Bolster Spring Built Between 4/96 & 11/00	24
RT/RTE 340/400/460/480/520 Tandem Axle Suspension	26
RS 340/400/460/480/520 Series Tandem Axle Suspension	28
PRIMAAX EX Single/Tandem Axle Air Suspension	30
INTRAAX AAL, AANL, AANLS, AAEDL, AAZL 23/46K Slider, VANTRAAX HKAL 46K & HKARL 46K	32
INTRAAX AANT 23K & AAZNT AND VANTRAAX, HKAT 50K/HKA250, ULTRAA-K UTKNT 40K.....	34
Suspension Components.....	35
Hutchens.....	42
Single Point Suspension H900	42
Four Spring Suspension H/CH 7600/9600	43
Four Spring Suspension H/CH 7700/9700	44
Suspension Components.....	45
Kenworth	46
C500, K110/300, T300/400/450/600/800/200, W900 Model.....	46
Airglide 100 Air Ride	47
Airglide 200 / 400 Air Ride	48
Airglide 380.....	49
Suspension Components.....	50
Cab Mounts.....	54
Hood Latches & Hood Hinges.....	56
Motor Mounts.....	58
Radiator, Air Cooler Mounts & Exhaust Mounts	60

CONTENTS

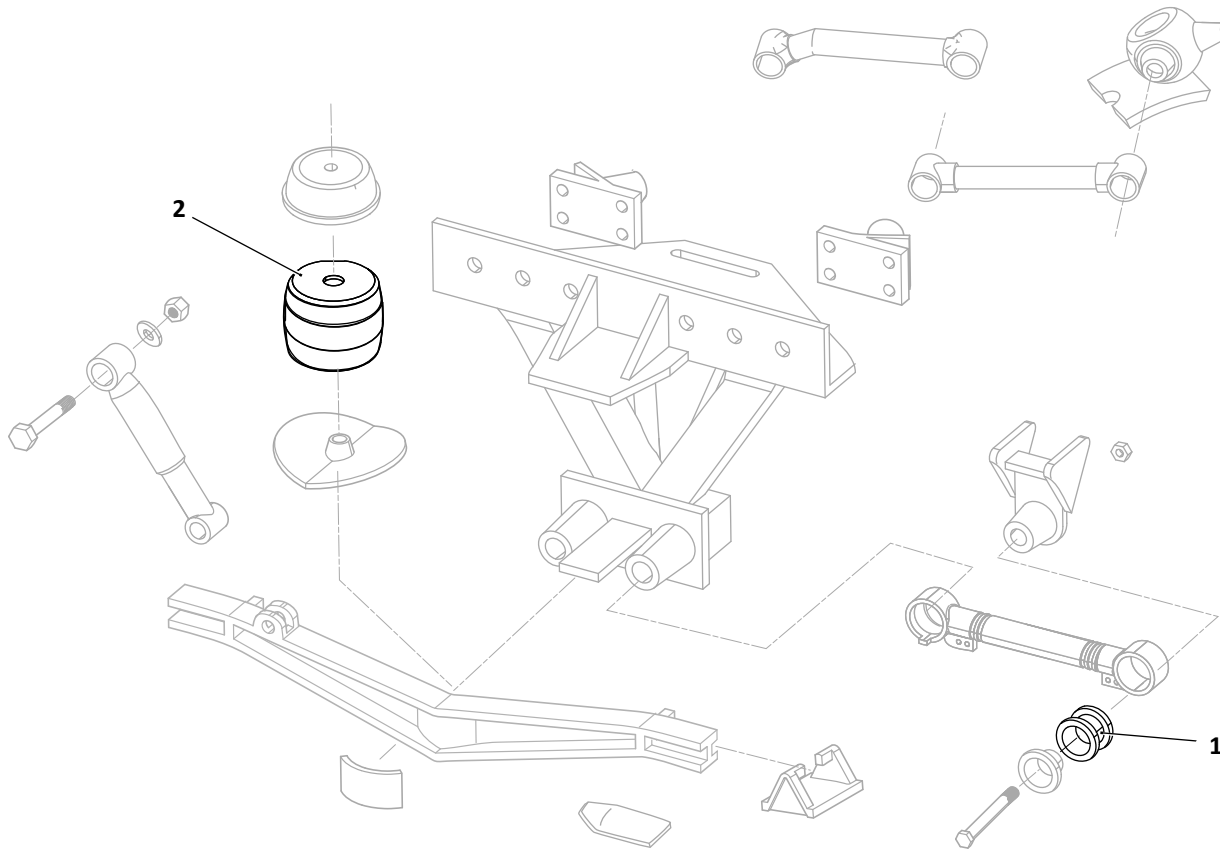
Mack.....	62
Maxlite 40EZ	62
SS34 & 38 Tandem Suspension 4 in. Wide Spring	63
SS44 Series (Formerly SWS 573) 4 in. Wide Spring	64
SS50C Series 4 in. Wide Spring.....	65
SS58C & SS65-C Series 5 in. Wide Spring	66
Suspension Components.....	67
Cab Mounts.....	72
Hood Latches & Hood Hinges.....	72
Motor Mounts.....	73
Radiator & Air Cooler Mounts	74
Meritor	75
RHP/MPA Series, Trailer, Air Suspension	75
MTA23-30 Top Mount, MTA25-30 Low Mount, Trailer, Air Suspension.....	76
Suspension Components.....	77
Navistar / International.....	78
Four Spring.....	78
Corporate Air Ride “Z” Spring	79
New Corporate Air Ride - “Hockey Stick” Spring	80
Suspension Components.....	81
Cab Mounts.....	85
Hood Latches & Hood Hinges.....	86
Motor Mounts.....	86
Radiator & Air Cooler Mounts	87
Peterbilt	88
Cab Over and Conventional 4 in. Wide Spring.....	88
Air Leaf	89
Air Trac	90
Low Mount Air Leaf.....	91
Airglide 210.....	92
Flex Air.....	93
Suspension Components.....	94
Cab Mounts.....	96
Hood Latches & Hood Hinges.....	97
Motor Mounts.....	99
Radiator, Air Cooler Mounts & Exhaust Mounts	100
Reyco Granning	102
101A Four Spring Suspension.....	102
102 Four Spring Suspension.....	103
102AR & 240AR Air Suspension.....	104
21AR Air Suspension	105
21B Cast Four Spring Suspension, 42 - 72 Axle Spacing.....	106
86-88 Four Spring Suspension	107
86AR Air Suspension	108
Suspension Components.....	109

CONTENTS

SAF-Holland	112
AD-123/246/369	112
ARD-125-6, -8, -244-6, -8.....	113
ARD-234-6	114
ARDST/ARDSTM & L.....	115
ART 500/505/551/555.....	116
Air Spring, AR-41/45/75-6,-9,-12/75-1-12/85-A.....	117
Air Spring, AR-50-US, -F, -F-1, -F-2.....	118
Air Spring, AR-90/AR-90-1/AR-92/AR-93	119
Air Spring, RL-196/196A, RL228, RL-230	120
Air Spring, RL-250, RL-300	121
Air Spring, CBX23/CBX25/CBX40	122
Leaf, Four Spring, Binkley-Duralite SP900.....	123
Suspension Components.....	124
Volvo	126
Corporate Air Ride	126
T-Ride 2006 and Later.....	127
Suspension Components.....	128
Cab Mounts.....	129
Motor Mounts.....	130
Radiator, Air Cooler Mounts & Exhaust Mounts	131
Cab Mounts.....	132
Carrier Bearings.....	137
Exhaust Mounts.....	138
Fifth Wheel Bushings.....	140
Hood Latches & Hinge Bushings	146
Motor Mounts.....	151
Radiator Mounts.....	159
Torque Rods.....	161
Suspension Bushings & Spring Pins	169
Wheel Chocks.....	185
Numerical Index.....	188

CHALMERS


800 Series Tandem Axle, Truck





CHALMERS TORQUE ARM CONNECTIONS			
	TYPE 0	TYPE 1	TYPE 2
Bushing - Standard Poly	GAFF18919	GAFF18919	GAFF11739
Bushing - Oversize Poly	GAFF18920	GAFF18920	GAFF18921


800 Series Tandem Axle, Truck				
KEY NO.	GAFF NO.	OEM REF.	DESCRIPTION	QTY PER TANDEM
1	GAFF18919	22082 22128	Torque Arm Bushing, Type 0 & 1 Joint	16
	GAFF18920	22129	Torque Arm Bushing, Type 0 & 1 Joint, Oversized	16
	GAFF11739	800010	Torque Arm Bushing, Type 2 Joint	16
	GAFF18921	800009	Torque Arm Bushing, Type 2 Joint, Oversized	16
2	GAFF11740	15002	Load Spring	2


Suspension Components

Torque Arm Bushing, Type 0 & 1 Joint				
Series 300 - 1000				
				
PART NO.	OEM REF.	OD	ID	LENGTH
GAFF18919	22082, 22128	3-21/32 in.	2-3/8 in.	3-3/4 in.

Torque Arm Bushing, Type 2 Joint, Oversized				
Series 700 - 1000				
				
PART NO.	OEM REF.	OD	ID	LENGTH
GAFF18921	800009	4-1/2 in.	2-1/2 in.	4-9/32 in.

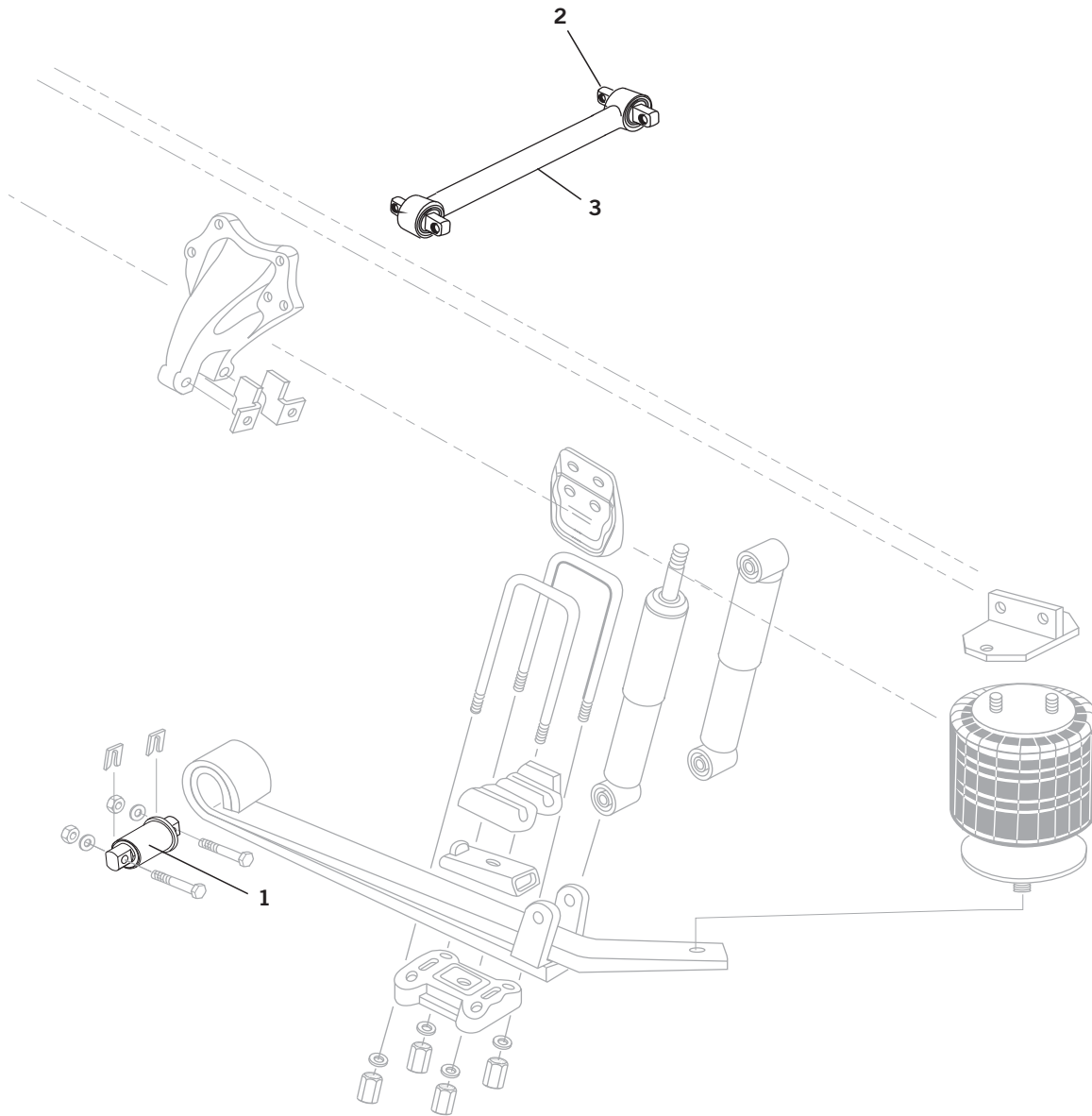
Torque Arm Bushing, Type 0 & 1 Joint, Oversized				
Series 300 - 1000				
				
PART NO.	OEM REF.	OD	ID	LENGTH
GAFF18920	22129	3-21/32 in.	2-3/8 in.	3-3/4 in.

Load Spring				
Series 700 - 1000				
				
PART NO.	OEM REF.	OD	ID	LENGTH
GAFF11740	15002	9 1/4 in	2 in.	8 in.

Torque Arm Bushing, Type 2 Joint				
Series 700 - 1000				
				
PART NO.	OEM REF.	OD	ID	LENGTH
GAFF11739	800010	4-1/4 in.	2-19/32 in.	4-5/32 in.

FREIGHTLINER

FAS II AIR RIDE Truck/Tractor



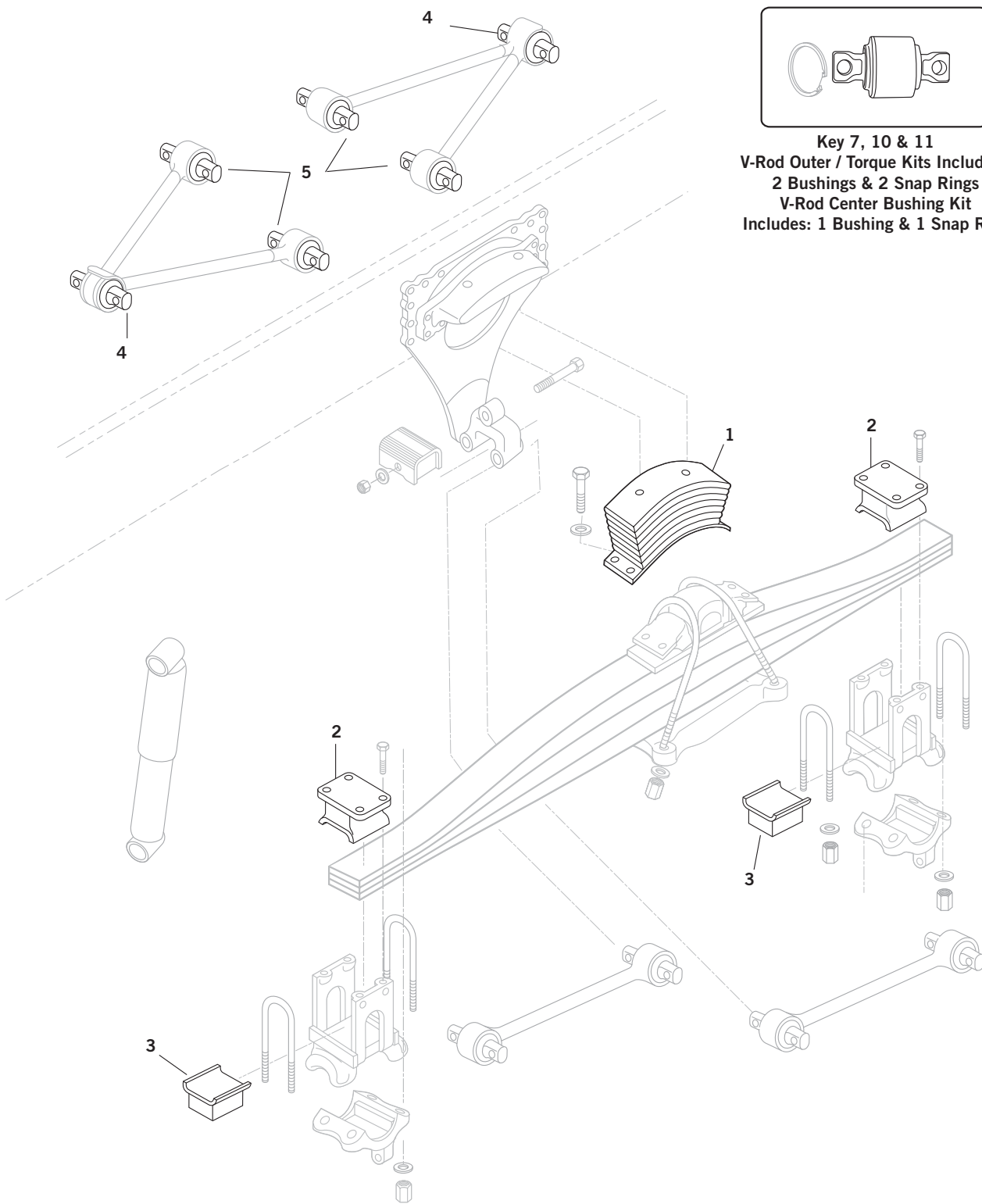
FAS II Air Ride				
KEY NO.	PART NO.	OEM REF.	DESCRIPTION	QTY PER TANDEM
1	GAFF11083	16-16412-001	Spring Eye Bushing, Anti-Walk	2
	GAFF11005	681-325-01-50	Spring Eye Bushing, Old Style	2
	GAFF11084	-	Spring Eye Bushing, Anti-Walk, Oversized	2
2	GAFF11004	47691	Torque Arm Bushing, Straddle Mount, for Rebrushable Torque Arm	2
3	GAFF11078	681-326-67-16	Torque Arm, 24 3/8 in. Center-to-Center	1
	GAFF11081	16-16749-002	Torque Arm, 24 1/2 in. Center-to-Center	1

MeritorPartsXpress.com

PB-2194-GAFF (10-21)

U.S. 888-725-9355
Canada 800-387-3889

TufTrac Suspension





Key 7, 10 & 11
V-Rod Outer / Torque Kits Includes:
 2 Bushings & 2 Snap Rings
V-Rod Center Bushing Kit
 Includes: 1 Bushing & 1 Snap Ring


TufTrac Suspension				
KEY NO.	GAFF NO.	OEM REF.	DESCRIPTION	QTY PER TANDEM
1	GAFF11159	16-15010-000	Bolster Spring	2
2	GAFF11164	11-19581-000	Insulator Cap	4
3	GAFF11165	11-20807-000	Insulator Pad	4
4	GAFF11162	A348634	V-Rod Bushing, Apex, Includes Snap Ring	2
5	GAFF11163	A237903	V-Rod Bushing, End, Includes Snap Ring	2


FREIGHTLINER

Suspension Components


Bolster Spring			
Model: TufTrac			
			
PART NO.	OEM REF.	BOLT DIA.	LENGTH
GAFF11159	16-15010-000	11/16 in.	10-19/32 in.


Spring Eye Bushing, Old Style			
Model: FAS II			
			
PART NO.	OEM REF.	OD	BOLT DIA.
GAFF11005	681-325-01-50, 16-13962-000	2-1/2 in.	3/4 in.


Insulator Cap			
Model: TufTrac			
			
PART NO.	OEM REF.	LENGTH	HEIGHT
GAFF11164	11-19581-000	5-1/16 in.	2-1/2 in.

Spring Eye Bushing, Anti Walk, Oversized		
		
PART NO.	OD	BOLT DIA.
GAFF11084	2-3/4 in.	3/4 in.

Insulator Pad			
Model: TufTrac			
			
PART NO.	OEM REF.	LENGTH	HEIGHT
GAFF11165	11-20807-000	4 in.	2-3/16 in.


Torque Arm		
Model: FAS II		
		
PART NO.	OEM REF.	LENGTH
GAFF11078	681-326-67-16	23-13/16 in.

Spring Eye Bushing, Anti-Walk			
Model: FAS II			
			
PART NO.	OEM REF.	OD	BOLT DIA.
GAFF11083	16-16412-001	2-1/2 in.	3/4 in.

Torque Arm		
Model: FAS II		
		
PART NO.	OEM REF.	LENGTH
GAFF11081	16-16749-002	24-7/32 in.

Suspension Components

Torque Rod Assembly




PART NO.	OEM REF.	BOLT DIA.	LENGTH	NOTES
GAFF11152	16-18972-000	5/8 in.	24 3/16 in.	Includes 2 Qty GAFF13520 Bushings

Shock Bushing




PART NO.	OEM REF.	BOLT DIA.	LENGTH	NOTES
GAFF30545	-	1 in.	1-3/32 in.	-

Spring Bushing




PART NO.	OEM REF.	BOLT DIA.	LENGTH	OD
GAFF11066	680-322-01-50	3/4 in.	4-1/4 in.	2-1/4 in.

Torque Rod Assembly



PART NO.	OEM REF.	BOLT DIA.	OD	NOTES
GAFF11153	16-16749-000	22 7/8 in.	5/8 in.	Includes 2 Qty GAFF13521 Bushings


Spring Mount



PART NO.	OEM REF.	BOLT DIA.	LENGTH	HEIGHT
GAFF18994	58918-000	17/32 in.	6-5/32 in.	6 in.

Torque Arm Bushing, Straddle Mount

Model:
FAS II



PART NO.	OEM REF.	OD	BOLT DIA.
GAFF11004	47691, A-16-119448, 47691-000L	2 in.	5/8 in.


Shock Bushing



PART NO.	OEM REF.	BOLT DIA.	LENGTH	NOTES
GAFF18566	-	1 in.	1 in.	-

V-Rod Bushing, Apex, Includes Snap Ring


Model:
TufTrac




PART NO.	OEM REF.	OD	BOLT DIA.
GAFF11162	A348634	3-15/16 in.	29/32 in.

FREIGHTLINER

Suspension Components


V-Rod Bushing, End, Includes Snap Ring			
Model: TufTrac			
			
PART NO.	OEM REF.	OD	BOLT DIA.
GAFF11163	A237903	2-15/16 in.	29/32 in.

Cab Mounts

Cab Mount					
					
PART NO.	OEM REF.	ID	OD	OD<	LENGTH
GAFF11007	7007-05	5/8 in.	3 in.	2-3/4 in.	2-1/8 in.

Cab Mount Kit			
			
PART NO.	OEM REF.	LENGTH	NOTES
GAFF31624	-	-	-

Cab Mount				
				
PART NO.	OEM REF.	OD	LENGTH	NOTES
GAFF11111	680-891-04-01, 68-08910-401	4-1/8 in.	2-7/16 in.	1/2-13 UNC


Cab Mount					
					
PART NO.	OEM REF.	ID	OD	OD<	LENGTH
GAFF11523	HUN 12004 3401, J7165-1, K066-251, 07-03286	5/8 in.	2-7/8 in.	1-13/16 in.	1-5/16 in.

Cab Mount					
					
PART NO.	OEM REF.	ID	OD	OD<	LENGTH
GAFF11520	HUN 12004 3401, J7165-1, K066-228, 07-03286	5/8 in.	2-7/8 in.	1-7/8 in.	1-5/16 in.

Cab Mount					
					
PART NO.	OEM REF.	ID	OD	OD<	LENGTH
GAFF11707	CBA28-1050, M501, 05-08968	5/8 in.	2-1/2 in.	1-5/8 in.	2 in.

Cab Mounts

Cab Mount Bushing




PART NO.	OEM REF.	ID	OD	LENGTH
GAFF11075	18-44009-00, 18-45384-00, 18-34678-000, 18-41005-000, 18-42727-000, LORD BJ-1769	5/8 in.	3-3/4 in.	3-1/8 in.

Lower Cab Mount



PART NO.	OEM REF.	ID	OD	LENGTH
GAFF11008	LORSB33310017A	1-3/16 in.	3-3/4 in.	1-5/16 in.

Cab Mount Kit




PART NO.	OEM REF.	NOTES
GAFF11086	681-890-00-01, 681-891-00-01	Includes 2 Upper Mounts (GAFF11009), 2 Lower Mounts (GAFF011008) and Hardware

Upper Cab Mount



PART NO.	OEM REF.	ID	OD	LENGTH
GAFF11009	LORSB33310017B	3/4 in.	3-25/32 in.	2-9/16 in.

Cab Mount Kit



PART NO.	OEM REF.	NOTES
GAFF11113	J-20120, J-19791, 17-1843, J197911, J201204	Note Includes 1 Upper Mount and 1 Lower Mount


Cab Mount Kit




PART NO.	OEM REF.	LENGTH	NOTES
GAFF11092	18-45384-000	3-1/8 in.	Includes 2 Lower Mounts and Hardware

FREIGHTLINER

Hood Latches & Hood Hinges

Hood Guide					
					
PART NO.	OEM REF.	ID	OD<	OD	LENGTH
GAFF11020	A17-10464-001	1/2 in.	1-7/8 in.	4 in.	3 in.

Hood Latch		
		
PART NO.	OEM REF.	LENGTH
GAFF12365	680-880-01-60, L56-0001	8-7/8 in.

Hood Guide		
		
PART NO.	OEM REF.	LENGTH
GAFF11124	A17-13666-000	3-7/16 in.

Hood Latch			
			
PART NO.	OEM REF.	LENGTH	NOTES
GAFF11103	680-880-01-60	8-7/8 in.	Includes GAFF12365 Latch and Hinge

Hood Latch		
		
PART NO.	OEM REF.	LENGTH
GAFF11102	17-12434-000, 17-12438-000	10-15/16 in.


Hood Latch			
			
PART NO.	OEM REF.	LENGTH	NOTES
GAFF11104	LH17-12435-000	11-1/4 in.	Includes Mount, Left Hand

Hood Latch			
			
PART NO.	OEM REF.	LENGTH	NOTES
GAFF11176	17-12434-000	10-15/16 in.	Includes GAFF11102 Latch and Hinge

Hood Latch			
			
PART NO.	OEM REF.	LENGTH	NOTES
GAFF11105	RH17-12435-000, RH17-12435-001	11-1/4 in.	Includes Mount, Right Hand

Hood Latches & Hood Hinges

Hood Latch			
			
PART NO.	OEM REF.	LENGTH	NOTES
GAFF11106	RH17-15553-001	11-1/4 in.	Includes Mount, Right Hand

Hood Latch Hook		
		
PART NO.	OEM REF.	LENGTH
GAFF11097	681-887-24-14	3-9/16 in.

Hood Latch			
			
PART NO.	OEM REF.	LENGTH	NOTES
GAFF11107	LH17-15553-001, 17-15553-000	11-1/4 in.	Includes Mount, Left Hand

Hood Latch Hook		
		
PART NO.	OEM REF.	LENGTH
GAFF11109	17-14781-000, 17QM263A	3-27/32 in.

Hood Latch Assembly			
			
PART NO.	OEM REF.	LENGTH	NOTES
GAFF11185	17-12348-000, 17-12434-000	10-15/16 in.	Includes GAFF11096 Hook and GAFF11176 Latch

Hood Hinge Bushing				
				
PART NO.	OEM REF.	ID	OD	LENGTH
GAFF11019	J17700-5	1/2 in.	1-3/8 in.	2-3/16 in.


Hood Latch Hook		
		
PART NO.	OEM REF.	LENGTH
GAFF11096	17-12434-000	4-7/8 in.

Hood Hinge Bushing					
					
PART NO.	OEM REF.	ID	OD<	OD	LENGTH
GAFF11544	CB1121-10	17/32 in.	1-1/4 in.	1-3/4 in.	1-1/4 in.


Motor Mounts


Motor Mount				
				
PART NO.	OEM REF.	ID	OD	LENGTH
GAFF11725	CBA24-650-17	5/8 in.	2-3/8 in.	2-3/32 in.


Motor Mount			
			
PART NO.	OEM REF.	ID	OD
GAFF11112	J-19791	1-5/16 in.	3-5/16 in.

Motor Mount		
		
PART NO.	OEM REF.	ID
GAFF11065	J20941-3, J209414, J209415, J209416, J2094136, 2094167	21/32 in.

Motor Mount Kit					
					
PART NO.	OEM REF.	ID	OD	LENGTH	NOTES
GAFF11018	SSB3310018 01-15047-000, LOR SSB33 1001 7, LOR SSB33 1001 8	3/4 in.	3-1/4 in.	2-1/4 in.	Includes 1 Upper Mount, 1 Lower Mount and 1 Spacer Sleeve


Motor Mount		
		
PART NO.	OEM REF.	NOTES
GAFF11074	BCD 28945-1, BCD 26704 1, BCD 276511, BCD 27651 3, BCD 27651-1, BCD 27651-2	Includes 1 Upper Mount and 1 Lower Mount


Motor Mount Kit					
					
PART NO.	OEM REF.	ID	OD	LENGTH	NOTES
GAFF11085	CBA24-650-17	5/8 in.	2-3/8 in.	2-3/32 in.	Includes 4 GAFF11725 Motor Mounts and Hardware


Motor Mount			
			
PART NO.	OEM REF.	ID	LENGTH
GAFF11077	BCD 27330-1	13/16 in.	9-7/8 in.


Motor Mount Kit					
					
PART NO.	OEM REF.	ID	OD	LENGTH	NOTES
GAFF11087	SSB3310017, SSB3310018, 01-15047-000	3/4 in.	3-1/4 in.	2-1/4 in.	Includes 2 GAFF11018 Motor Mount Kits and Hardware


Motor Mounts

Motor Mount Kit			
			
PART NO.	OEM REF.	ID	NOTES
GAFF11088	J20941-3, LOR J20941-3-6, LORJ209417, J20941-4	21/32 in.	Includes 2 GAFF11065 Motor Mounts and Hardware

Motor Mount Kit		
		
PART NO.	OEM REF.	NOTES
GAFF11113	J20120-4, J-20120, J-19791, 17-1843, J197911, J201204	Includes 1 Upper Motor Mount and 1 Lower Motor Mount


Motor Mount Kit		
		
PART NO.	OEM REF.	NOTES
GAFF11090	BCD 28945-1, BCD267041, BCD276511, BCD276513	Includes 2 GAFF11074 Motor Mount Kits and Hardware

Motor Mount, Rear		
		
PART NO.	OEM REF.	LENGTH
GAFF11014	-	3-5/16 in.


Motor Mount Kit				
				
PART NO.	OEM REF.	ID	LENGTH	NOTES
GAFF11089	BCD 27330-1	13/16 in.	9-7/8 in.	Includes 2 GAFF11077 Motor Mounts and Hardware


FREIGHTLINER


Radiator & Exhaust Mounts

Radiator Mount					
					
PART NO.	OEM REF.	ID	OD	LENGTH	NOTES
GAFF11021	05-16070-000	7/8 in.	2-31/32 in.	1-13/16 in.	Includes 1 Upper Mount, 1 Lower Mount and 1 Spacer Sleeve

Exhaust Mount				
				
PART NO.	ID	OD<	OD	LENGTH
GAFF30504	17/32 in.	1-1/4 in.	2-11/32 in.	1-11/16 in.

Radiator Mount				
				
PART NO.	OEM REF.	LENGTH	HEIGHT	NOTES
GAFF11117	A6805040382, LOR SM1035 9, A6805040182	3-15/16 in.	1-5/8 in.	3/4 in. x 1 in. UNC

Radiator Mount			
			
PART NO.	OEM REF.	LENGTH	NOTES
GAFF11129	BCD 28721-1, BCD-28847-1	4 in.	1/2-13 UNC Thread

Radiator Mount				
				
PART NO.	OEM REF.	LENGTH	HEIGHT	NOTES
GAFF11144	A6805040382	3-15/16 in.	2-1/8 in.	3/4 in. x 1 in. UNC

FREIGHTLINER

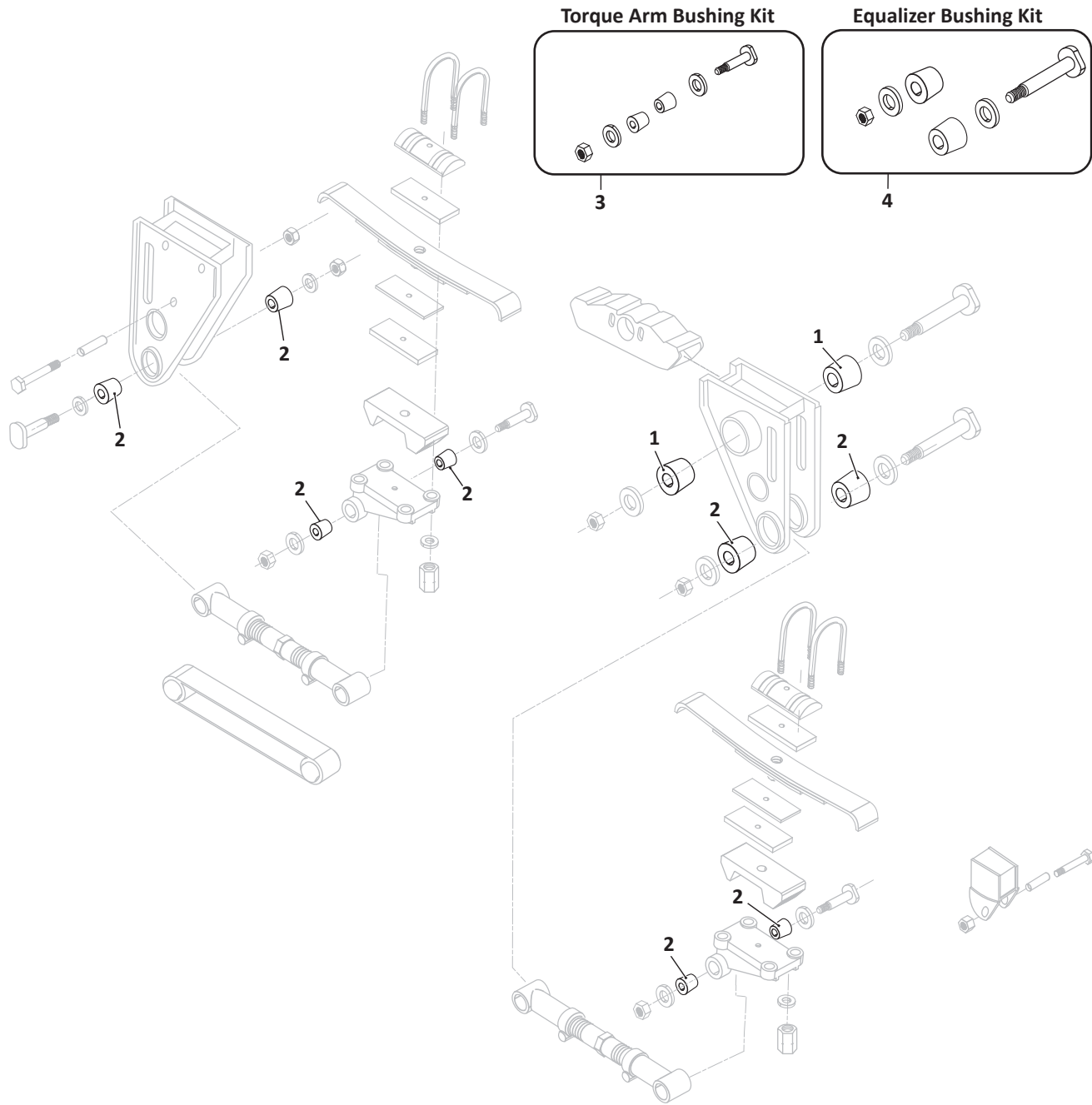
Clutch & Transmission Bushings

GAFF® Polyurethane
Components

Shifter Bushing				
PART NO.	OEM REF.	ID	OD	LENGTH
GAFF11611	-	13/16 in.	1-1/2 in.	2-5/16 in.


FRUEHAUF

F-2 Standard / F-2 Wide-Base Hangers - Leaf Spring



F-2 Standard / F-2 Wide-Base Hangers - Leaf Spring				
KEY NO.	GAFF NO.	OEM REF.	DESCRIPTION	QTY PER TANDEM
1	GAFF13005	UXA-000004	Equalizer Bushing	4
	GAFF13007	UXA-000004	Equalizer Bushing, Easy Fit	4
2	GAFF13001	UXA-000011	Torque Rod Bushing,	16
	GAFF13043	UXA-000011	Torque Rod Bushing, Easy Fit	16
3	GAFF13042	UXA-000011-900(1/2)	Torque Rod Bushing Kit, Includes Bushings and Hardware	8
4	GAFF13041	UXA-000004-900	Equalizer Bushing Kit, Includes Bushings and Hardware	2


Suspension Components


Equalizer Bushing				
				
PART NO.	OEM REF.	ID	OD	LENGTH
GAFF13005	UXA-000004	2 in.	3-1/2 in.	4-7/16 in.

Torque Rod Bushing				
				
PART NO.	OEM REF.	ID	OD	LENGTH
GAFF13001	UXA-000011	1-1/4 in.	2-3/16 in.	2-3/8 in.

Equalizer Bushing				
				
PART NO.	OEM REF.	ID	OD	LENGTH
GAFF13007	UXA-000004	2 in.	3-7/16 in.	4-7/16 in.

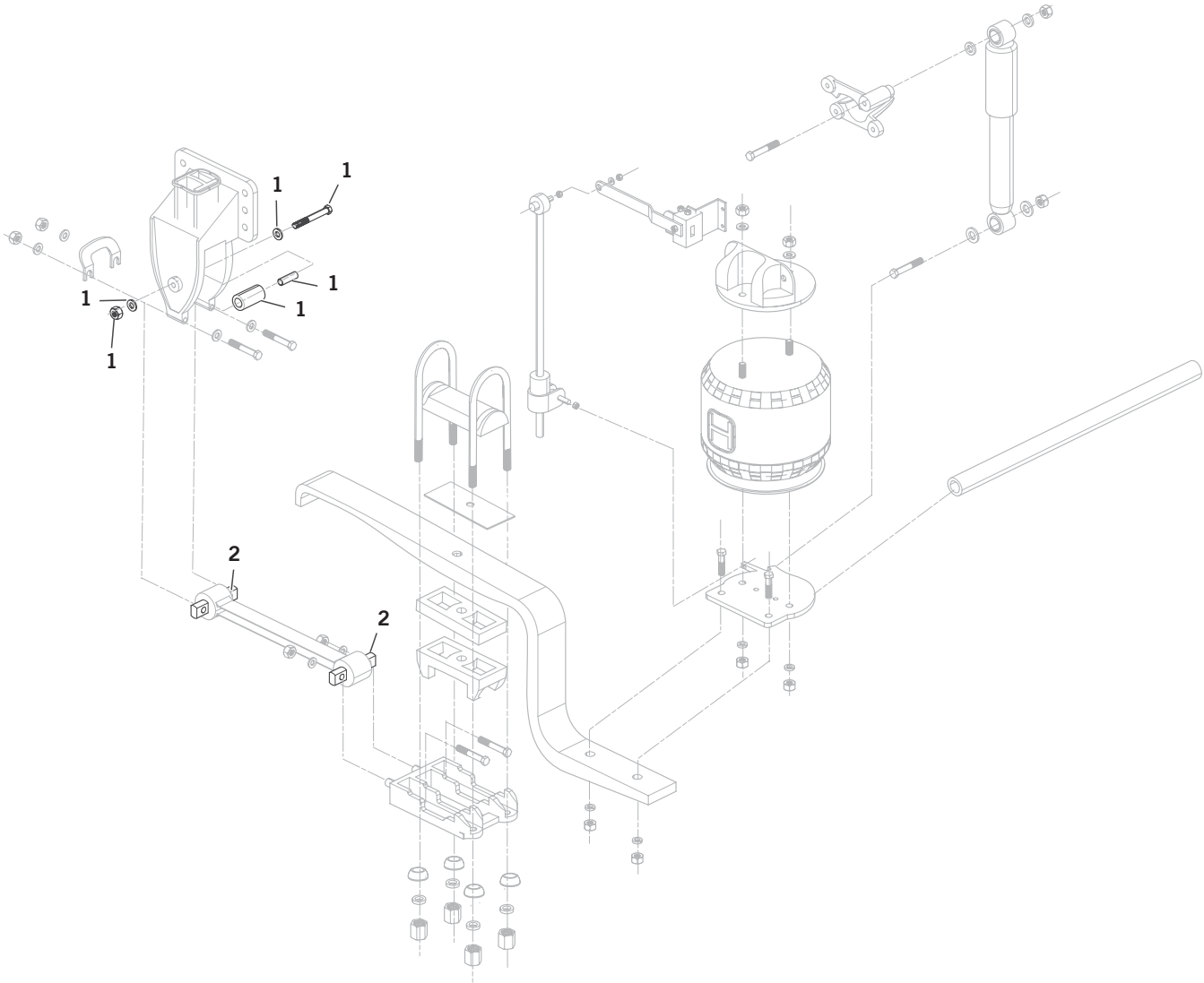
Torque Rod Bushing				
				
PART NO.	OEM REF.	ID	OD	LENGTH
GAFF13043	UXA-000011	1-1/4 in.	2-1/8 in.	2-3/8 in.

Torque Rod Bushing Kit					
					
PART NO.	OEM REF.	ID	OD	LENGTH	NOTES
GAFF13041	05-16070-000	2 in.	3-1/2 in.	4-7/16 in.	Includes 2 GAFF13001 Bushings and Hardware

Equalizer Bushing Kit					
					
PART NO.	OEM REF.	ID	OD	LENGTH	NOTES
GAFF13042	UXA-000004-900	1-1/4 in.	2-3/16 in.	2-3/8	Includes 2 GAFF13005 Bushings and Hardware

HENDRICKSON

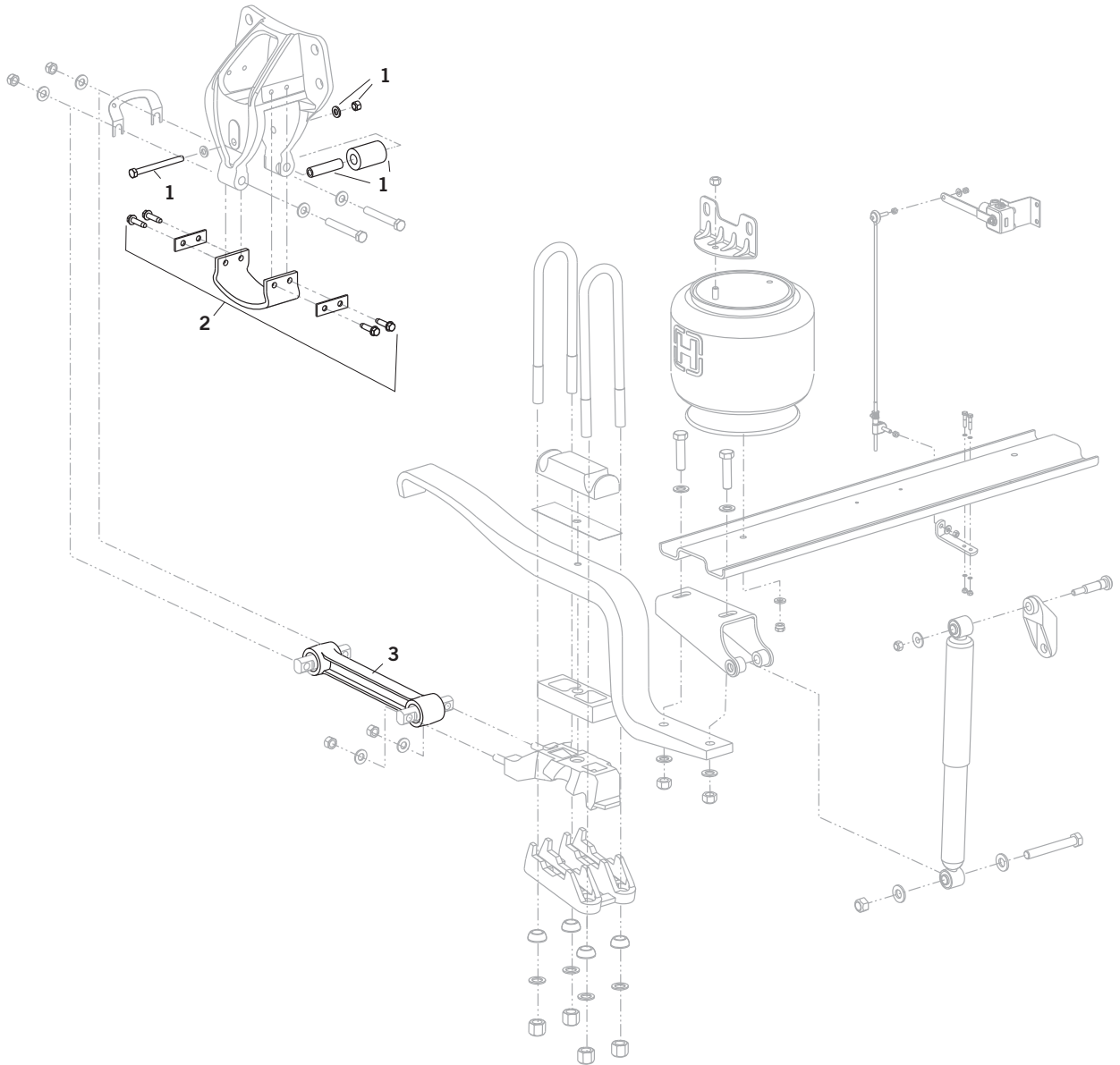
HA 360/400/460 Tandem Axle Air Suspension



HA 360/400/460 Tandem Axle Air Suspension

KEY NO.	GAFF NO.	OEM REF.	DESCRIPTION	QTY PER TANDEM
1	GAFF11747	49175-005	Rebound Roller Assembly	2
2	GAFF13521	47691-000	Torque Rod Bushing, HA360, HA400	4

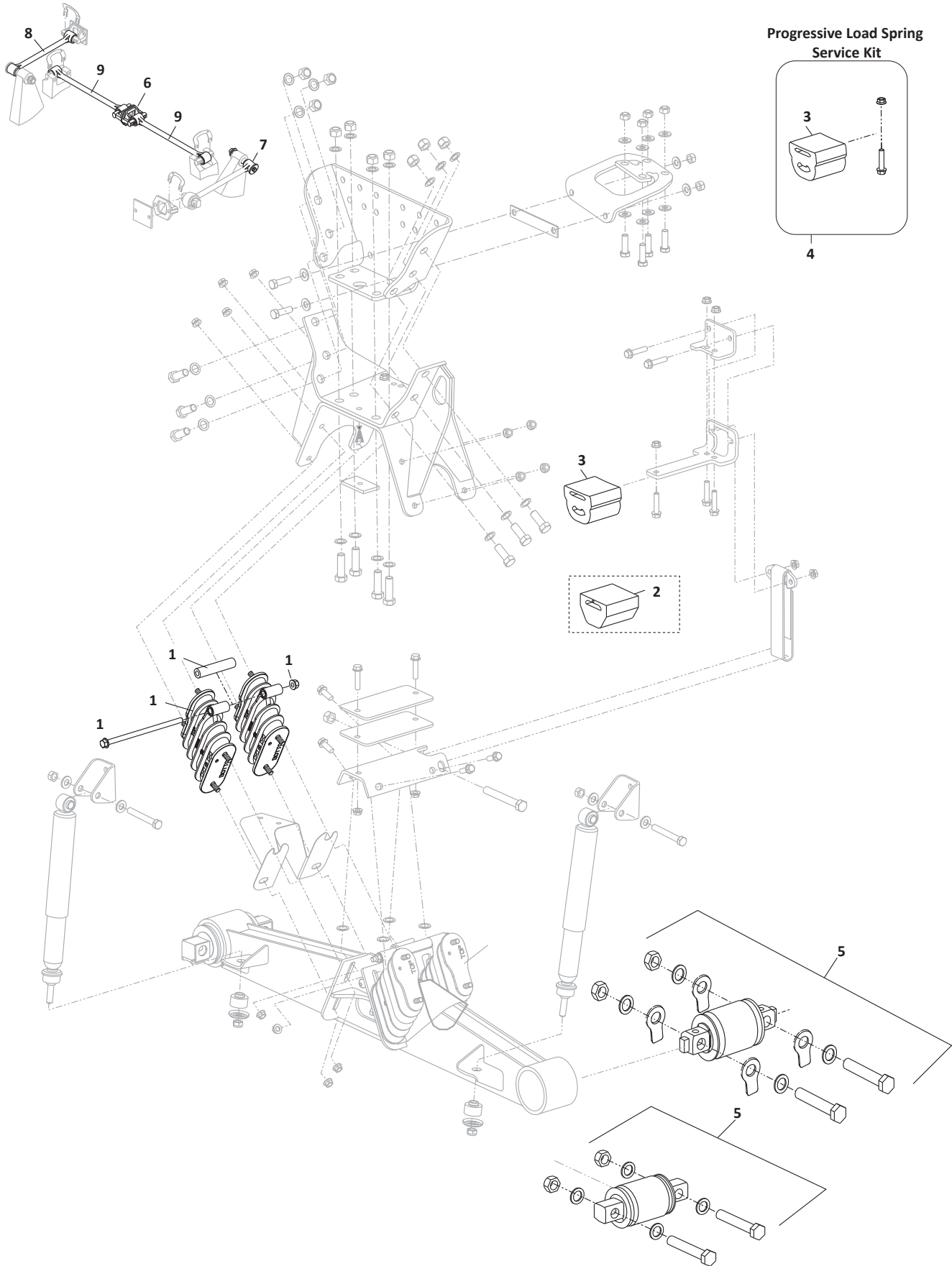
HAS 360/400/460 Tandem Axle Air Suspension



HAS 360/400/460 Tandem Axle Air Suspension				
KEY NO.	GAFF NO.	OEM REF.	DESCRIPTION	QTY PER TANDEM
1	GAFF11747	49175-005	Rebound Roller Assembly	2
2	GAFF13524	56557-002	Slipper Pad	2
3	GAFF13735	62007-365	Torque Rod, 13/32 Center-to-Center	2

HENDRICKSON

HAULMAX Rubber Bolster Spring Suspension

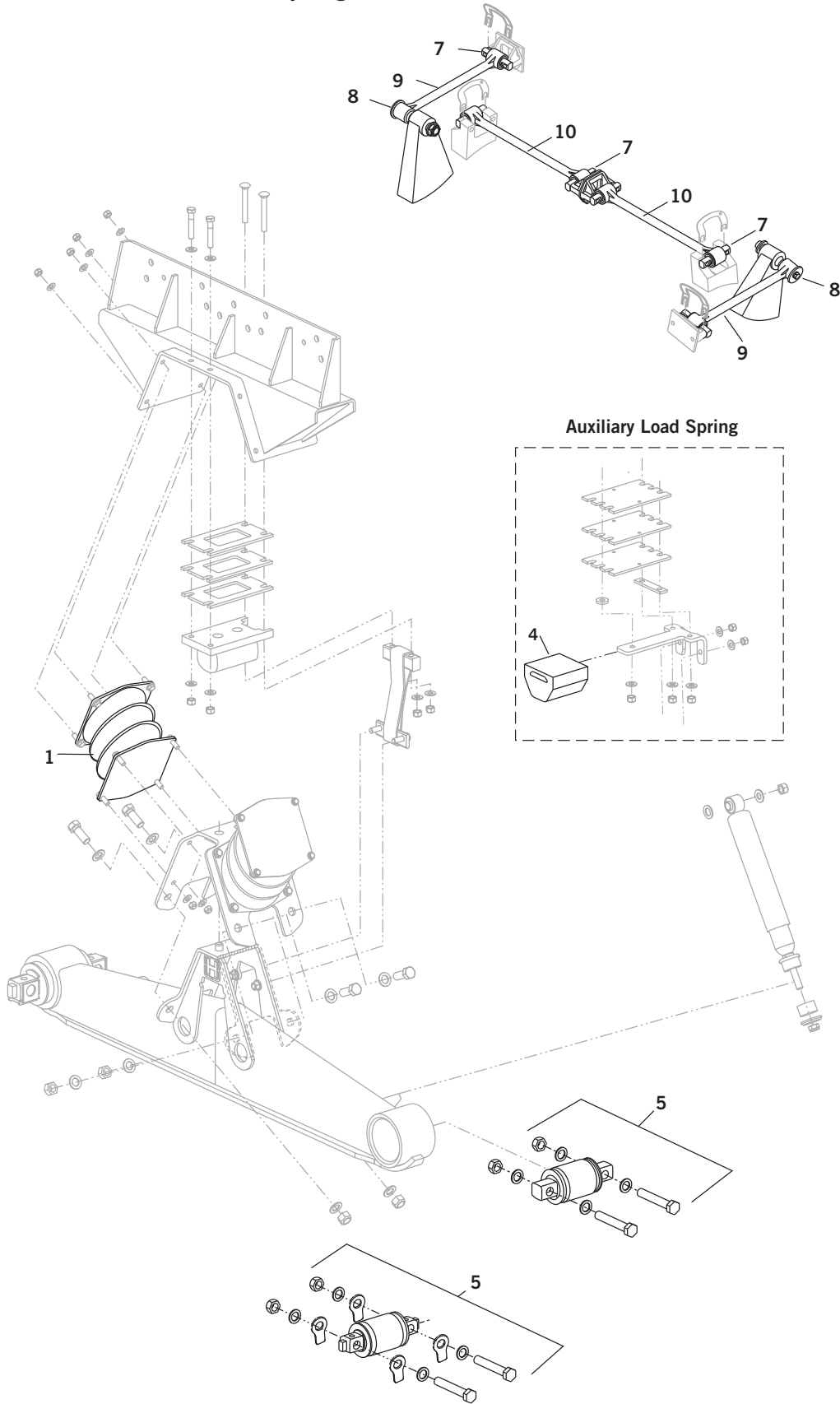


HAULMAAX Rubber Bolster Spring Suspension				
KEY NO.	GAFF NO.	OEM REF.	DESCRIPTION	QTY PER TANDEM
1	GAFF13626	64179-048	Bolster Spring Kit	2
2	GAFF13611	60314-000	Auxiliary Load Spring, Before July 15, 2014	2
	GAFF13807	-	Auxiliary Load Spring, Severe Duty	2
3	GAFF13812	67778-000	Auxiliary Load Spring, After July 15, 2014	2
4	GAFF13814	60961-747	Auxiliary Load Spring Kit, Tandem Set	2
5	GAFF13607	34013-087L	End Beam Bushing Kit, Non Shim Type, Includes Hardware	4
	GAFF13596	34013-088	End Beam Bushing Kit, Shim Type, Includes Hardware	4
	GAFF83596	34013-188	End Beam Bushing Kit, Free Rotating, Shim Type, Includes Hardware	4
6	GAFF13521	47691-000	Straddle Bushing	4
	GAFF13520	44695-000	Torque Rod Bushing	6
	GAFF83520	44695-000	Torque Rod Bushing, Free Rotating Easy Mount	6
7	GAFF13582	64697-000H	Tapered Bushing, 2 in. OD	2
	GAFF13518	44697-000	Tapered Bushing, 2-3/4 in. OD	2
8	GAFF11080	-	Torque Rod, 24 in. Center-to-Center	2
	GAFF13657	-	Torque Rod, 22 in. Center-to-Center	2
	GAFF13733	-	Torque Rod, 24-1/4 in. Center-to-Center	2
	GAFF13679	-	Torque Rod, 25 in. Center-to-Center	2
	GAFF11835	-	Torque Rod, 24 in. Center-to-Center, Easy Mount	2
9	GAFF12396	-	Torque Rod, 17-15/16 in. Center-to-Center	2
	GAFF12398	-	Torque Rod, 25-5/8 in. Center-to-Center	2

HENDRICKSON

HN-402/462/522 & HN-FR

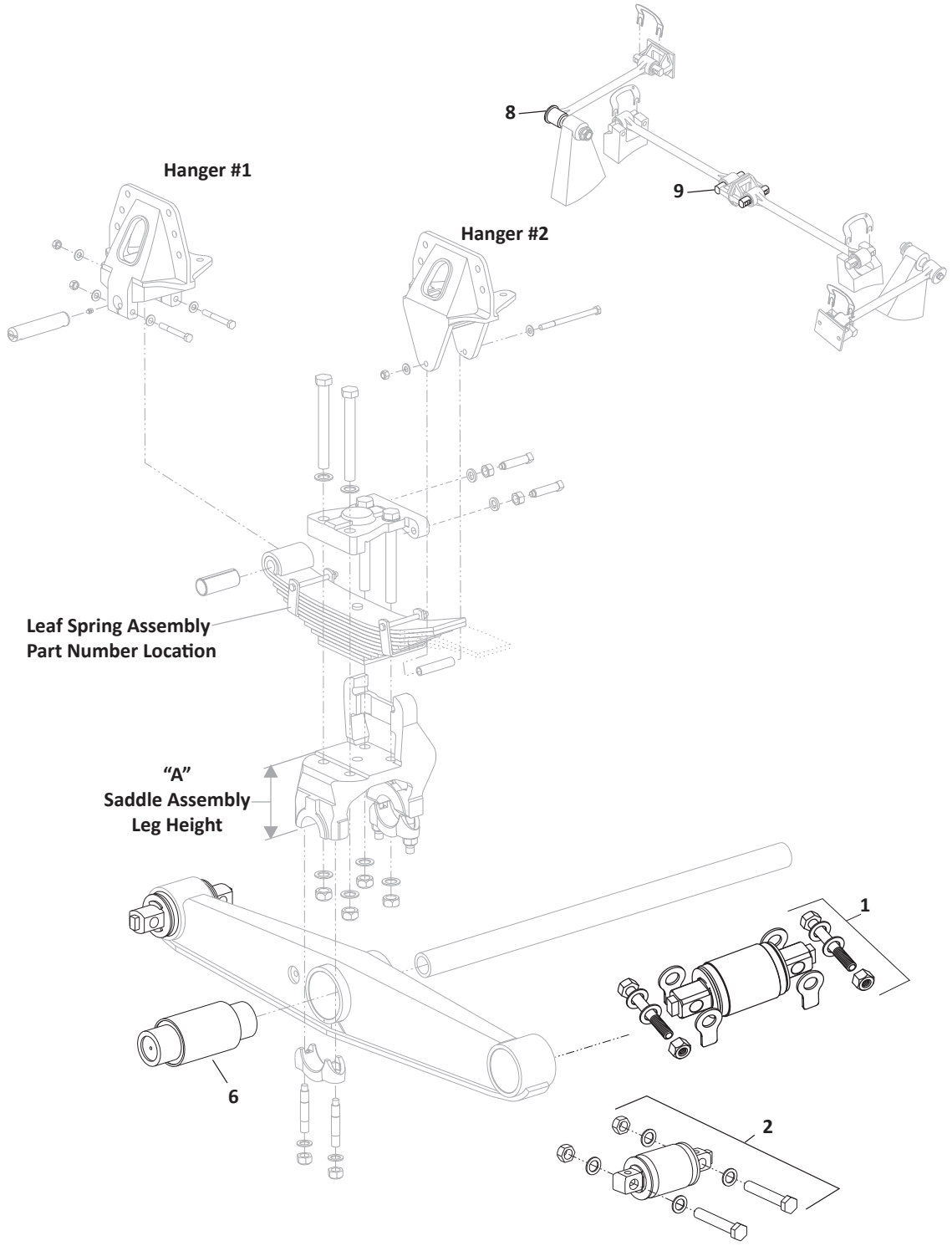
Rubber Bolster Spring Built Between 4/96 & 11/00



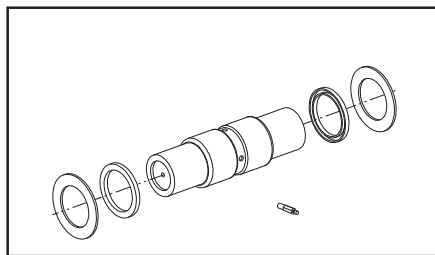
HN-402/462/522 & HN-FR Rubber Bolster Spring Built Between 4/96 & 11/00				
KEY NO.	GAFF NO.	OEM REF.	DESCRIPTION	QTY PER TANDEM
1	GAFF13601	60879-000	Bolster Spring	4
2	GAFF13721	60879-000	Bolster Spring Kit, 1 Pair for One Side, Includes Hardware	2
3	GAFF13722	60879-000	Bolster Spring Kit, 1 Pair for One Side, Includes Hardware and Auxiliary Spring	2
4	GAFF13611	60314-000	Auxiliary Load Spring	2
	GAFF13807	-	Auxiliary Load Spring, Severe Duty	2
	GAFF13812	67778-000	Auxiliary Load Spring, Progressive	2
5	GAFF13607	34013-087L	End Beam Bushing Kit, Non Shim Type, Includes Hardware	4
	GAFF13596	34013-088	End Beam Bushing Kit, Shim Type, Includes Hardware	4
	GAFF83596	34013-188	End Beam Bushing Kit, Free Rotating, Shim Type, Includes Hardware	4
6	GAFF13607	34013-087	End Beam Bushing Kit, Includes Hardware	4
7	GAFF13521	47691-000	Straddle Bushing	6
	GAFF13520	44695-000	Torque Rod Bushing	6
	GAFF83520	44695-000	Torque Rod Bushing, Free Rotating Easy Mount	6
8	GAFF13582	64697-000H	Tapered Bushing, 2 in. OD	2
	GAFF13518	44697-000	Tapered Bushing, 2-3/4 in. OD	2
9	GAFF13733	62350-615	Torque Rod	2
	GAFF11080	-	Torque Rod, 24 in. Center-to-Center	2
	GAFF13657	-	Torque Rod, 22 in. Center-to-Center	2
	GAFF13733	-	Torque Rod, 24-1/4 in. Center-to-Center	2
	GAFF13679	-	Torque Rod, 25 in. Center-to-Center	2
	GAFF11835	-	Torque Rod, 24 in. Center-to-Center, Easy Mount	2
	GAFF12396	-	Torque Rod, 17-15/16 in. Center-to-Center	2
10	GAFF12398	-	Torque Rod, 25-5/8 in. Center-to-Center	2

HENDRICKSON

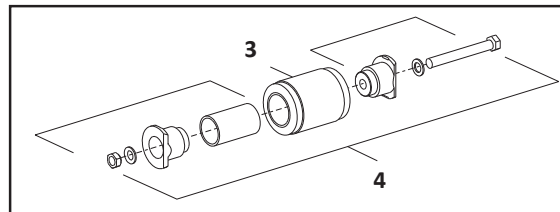
RT/RTE 340/400/460/480/520 Tandem Axle Suspension



Optional Bronze Center Bushing



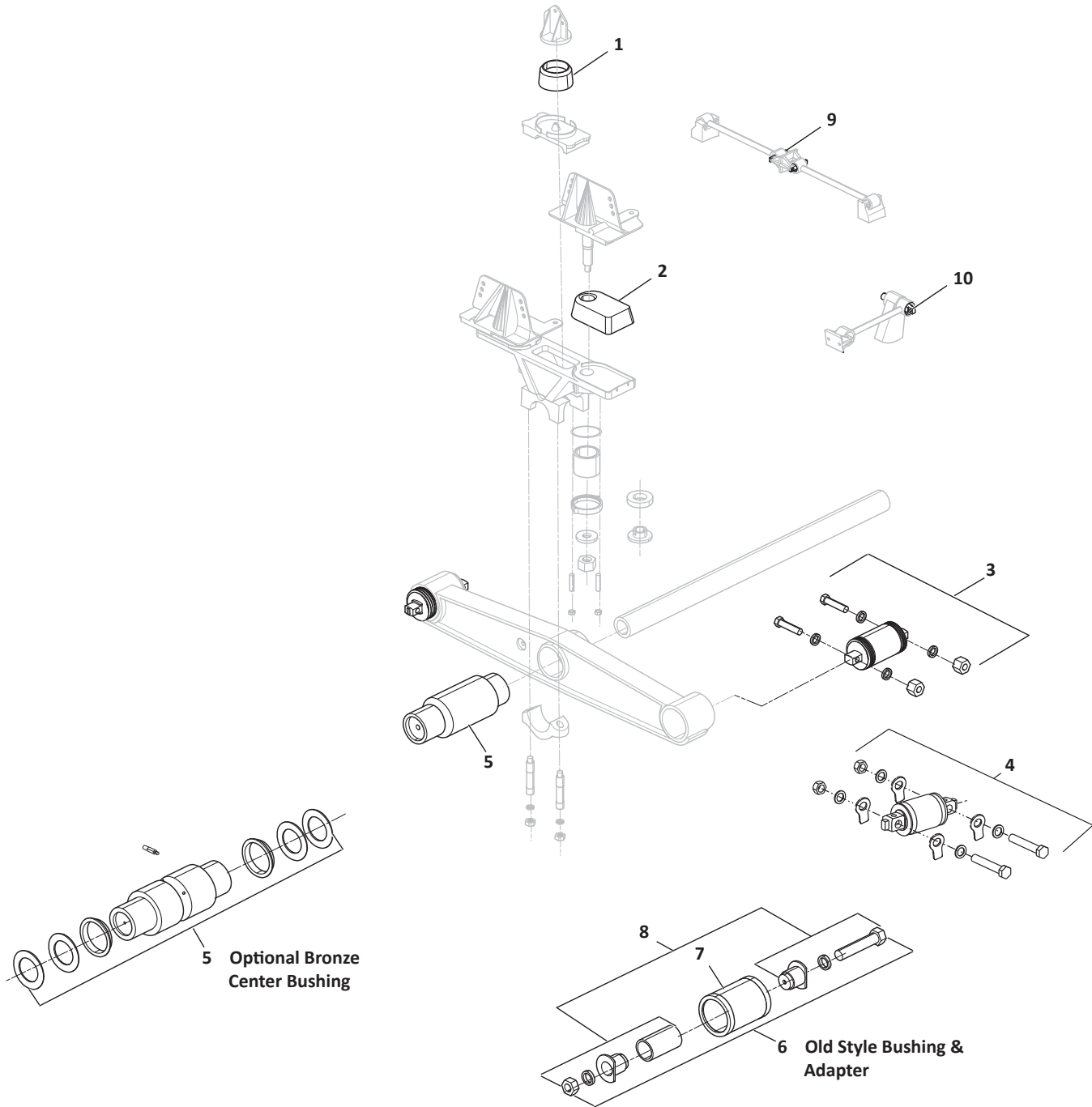
Old Style Bushing & Adapter



RT/RTE 340/400/460/480/520 Tandem Axle Suspension				
KEY NO.	GAFF NO.	OEM REF.	DESCRIPTION	QTY PER TANDEM
1	GAFF13596	34013-088	End Beam Bushing Kit, Shim Type, Includes Hardware	4
	GAFF83596	34013-188	End Beam Bushing Kit, Free Rotating, Shim Type, Includes Hardware	4
2	GAFF13607	34013-087	End Beam Bushing Kit, Includes Hardware	4
3	GAFF13501	06969-000	End Beam Bushing, Model 340	4
	GAFF13553	29878-001	End Beam Bushing, Model 480, 520	4
4	GAFF13502	45000-007	End Beam Adapter, Model 340, 400	4
	GAFF13609	21140-034	End Beam Adapter, Model 460, 480, 520	4
5	GAFF13566	34013-049	End Beam Bushing Kit	4
6	GAFF13500	06664-000	Center Bushing with Welded End Plug, Model 340	4
	GAFF13543	49600-000	Center Bushing with Loose End Plug, Model 340, 400	4
	GAFF13505	49400-000	Center Bushing with Welded End Plug, Model 340, 400	4
7	GAFF13534	30437-000	Optional Bronze Center Bushing	4
8	GAFF13520	44695-000	Torque Rod Bushing	6
	GAFF83520	44695-000	Torque Rod Bushing, Free Rotating Easy Mount	6
9	GAFF13518	44697-000	Tapered Bushing, 2-3/4 in. OD	2

HENDRICKSON

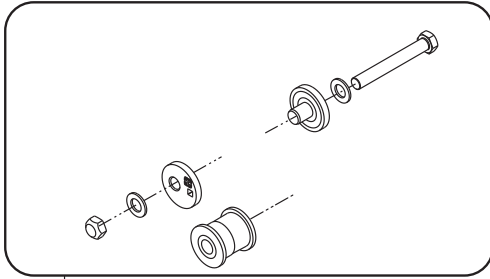
RS 340/400/460/480/520 Series Tandem Axle Suspension



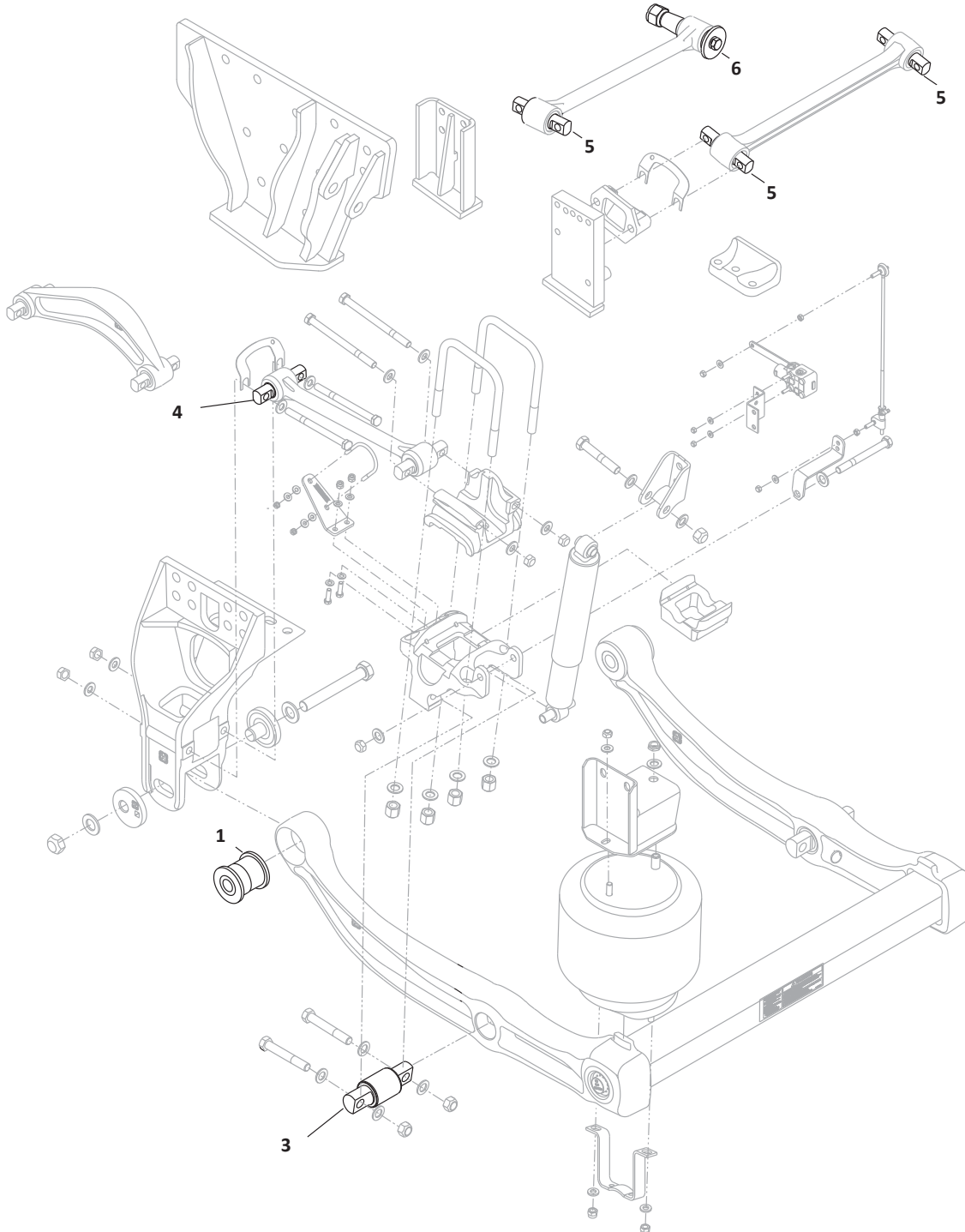
RS 340/400/460/480/520 Series Tandem Axle Suspension				
KEY NO.	GAFF NO.	OEM REF.	DESCRIPTION	QTY PER TANDEM
1	GAFF13649	24209-000	Heavy Duty Load Cushion	2
2	GAFF13650	26953-000	Load Cushion	4
3	GAFF13607	34013-087	End Beam Bushing Kit, Includes Hardware	4
4	GAFF13596	34013-088	End Beam Bushing Kit, Shim Type, Includes Hardware	4
	GAFF83596	34013-188	End Beam Bushing Kit, Free Rotating, Shim Type, Includes Hardware	4
5	GAFF13543	49600-000	Center Bushing with Loose End Plug, Model 400, 460	4
	GAFF13534	30437-000	Optional Bronze Center Bushing	4
	GAFF13500	06664-000	Center Bushing with Welded End Plug, Model 340	4
6	GAFF13566	34013-049	End Beam Bushing Kit	4
7	GAFF13501	06969-000	End Beam Bushing, Model 340	4
	GAFF13553	29878-001	End Beam Bushing, Model 460	4
8	GAFF13502	45000-007	End Beam Adapter, Model 340	4
	GAFF13609	21140-034	End Beam Bushing Kit, Model 460	4
9	GAFF13520	44695-000	Torque Rod Bushing	6
	GAFF83520	44695-000	Torque Rod Bushing, Free Rotating Easy Mount	6
10	GAFF13518	44697-000	Tapered Bushing, 2-3/4 in. OD	2

PRIMAAX EX Single/Tandem Axle Air Suspension

Pivot Bushing Kit, Axle Set



1

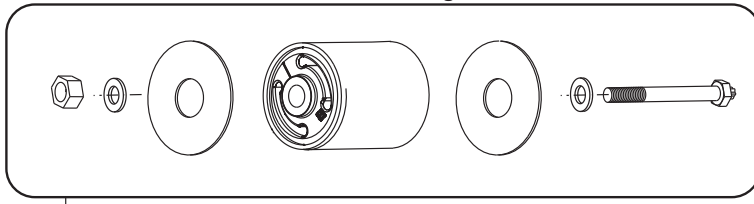


PRIMAAX EX Single/Tandem Axle Air Suspension				
KEY NO.	GAFF NO.	OEM REF.	DESCRIPTION	QTY PER TANDEM
1	GAFF18821	58648-000	Pivot Bushing	2
2	GAFF13817	60632-20, 60632-8	Pivot Bushing Kit, Axle Set	1
3	GAFF13627	60383-000	"D" Pin Bushing, Use with 3/4 in. Bolts	2
4	GAFF13672	69210-000	Torque Rod Bushing, Straddle Mount, 4-3/8 in. Long, 3/4 in. Bolts	-
	GAFF14010	47692-000	Torque Rod Bushing, Through Bolt, 7/8 in. ID x 2-1/32 in. OD, 3 in. Long	-
	GAFF13652	47692-000	Torque Rod Bushing, Through Bolt, 7/8 in. ID x 2-1/32 in. OD, 3 in. Long	-
5	GAFF11004	47691-000	Torque Rod Bushing, Straddle Mount, 5/8 in. Bolts, Used on Rods with 1 Tapered Bushing	1
	GAFF13521	47691-000	Straddle Bushing	-
6	GAFF13582	64697-000H	Tapered Bushing, 2 in. OD	-

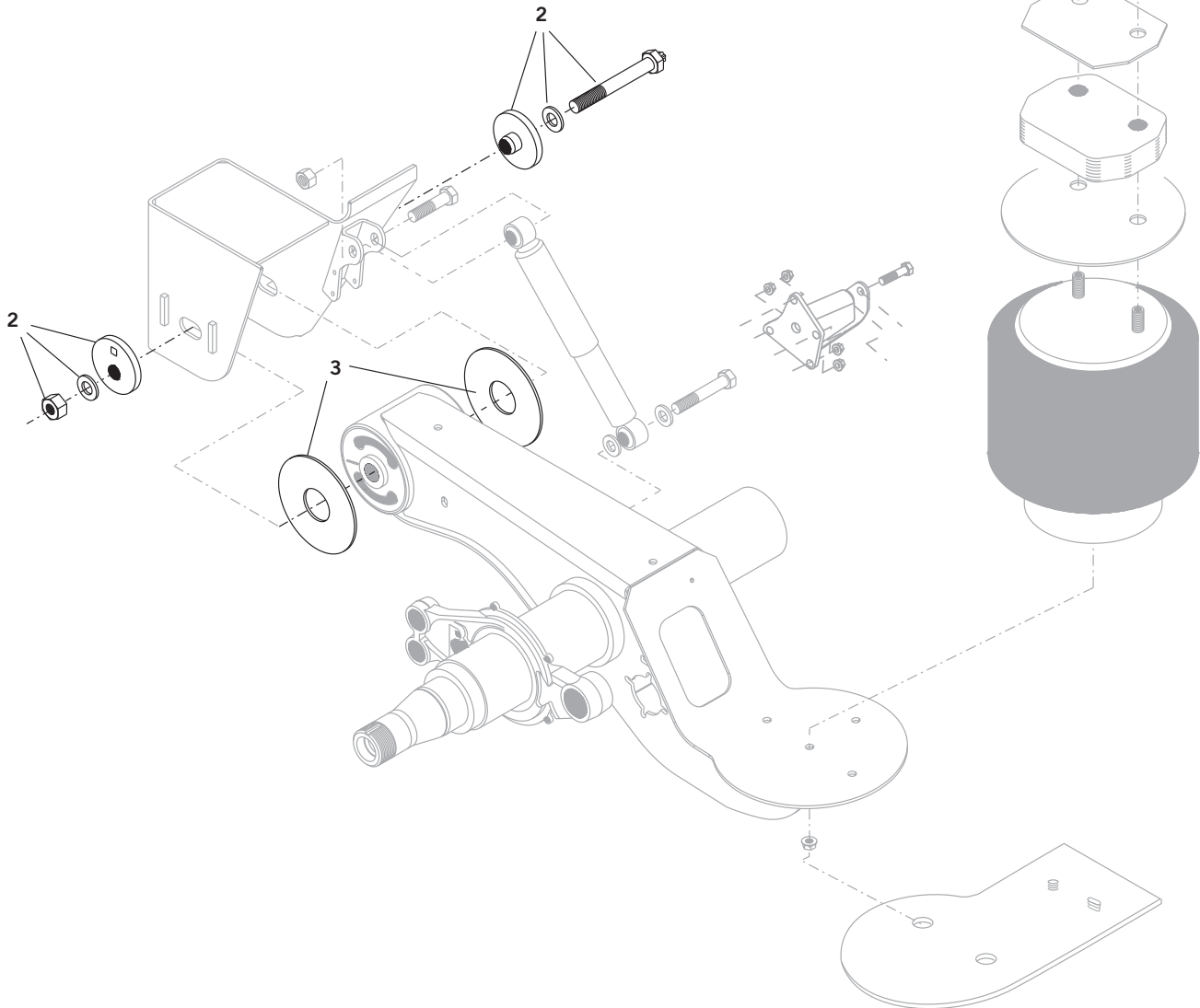
HENDRICKSON

INTRAAX AAL, AANL, AANLS, AAEDL, AAZL 23/46K Slider, VANTRAAX HKAL 46K & HKARL 46K

Tri-Function Bushing Kit



1



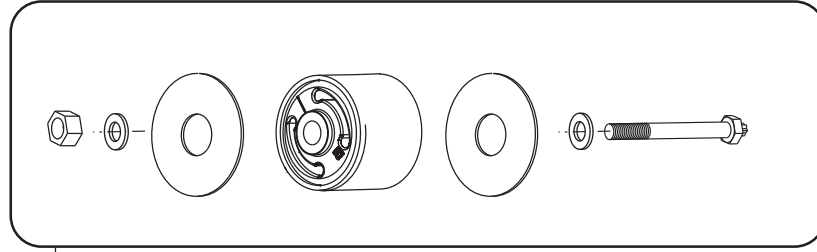
INTRAAX AAL, AANL, AANLS, AAEDL, AAZL 23/46K Slider, VANTRAAX HKAL 46K & HKARL 46K

KEY NO.	GAFF NO.	OEM REF.	DESCRIPTION	QTY PER TANDEM
1	GAFF13594	S-26321	Pivot Bushing Kit, Includes Hardware and Alignment Washers	2
	GAFF13743	S-26321	Pivot Bushing Kit, Includes Hardware, Alignment Washer Not Included, Axle Set	1
2	GAFF13673	S-24705	Pivot Bolt Kit, 7 in. Long Bolt, Includes Alignment Washers	2
3	GAFF13648	S-21099	Wear Shims	4

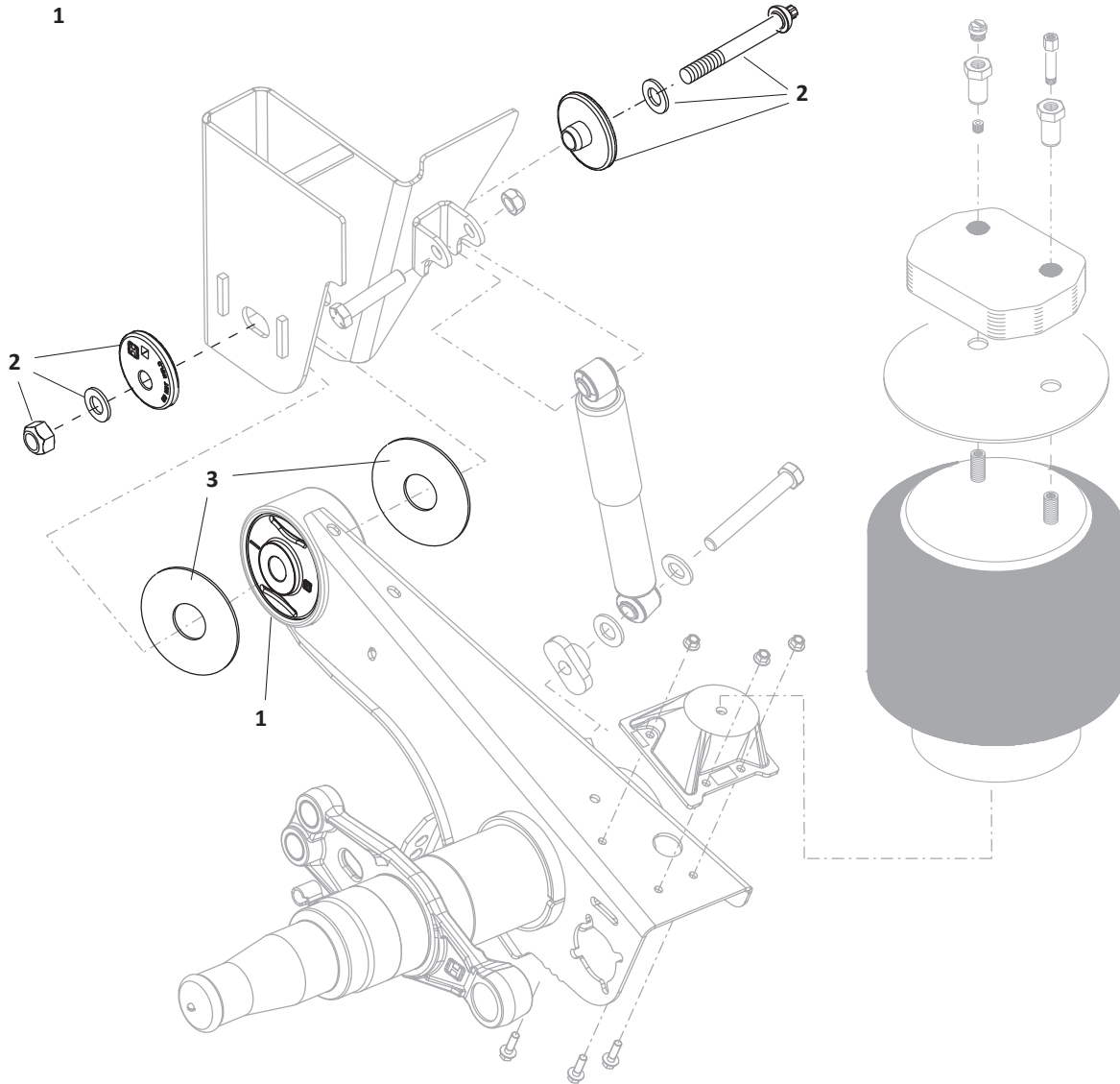
HENDRICKSON

INTRAAAX AANT 23K & AAZNT AND VANTRAAX, HKAT 50K/HKA250, ULTRAA-K UTKNT 40K

Tri-Function Bushing Kit





1





INTRAAAX AANT 23K & AAZNT AND VANTRAAX, HKAT 50K/HKA250, ULTRAA-K UTKNT 40K				
KEY NO.	GAFF NO.	OEM REF.	DESCRIPTION	QTY PER TANDEM
1	GAFF13565	S-6914	Pivot Bushing	2
	GAFF13600	S-24691	Pivot Bushing with Wear Shims	2
	GAFF13628	S-24691	Pivot Bushing with Hardware and Alignment Washers	2
	GAFF13744	S-24691	Pivot Bushing with Hardware, Alignment Washers Not Included	2
	GAFF13510	S-6914	Pivot Bushing with Hardware, Use for all HT Applications	2
2	GAFF13604	S-24679	Pivot Bolt Kit, 10 1/2 in. Long Bolt	2
3	GAFF13542	S-1161-3	Wear Shims	4


Suspension Components

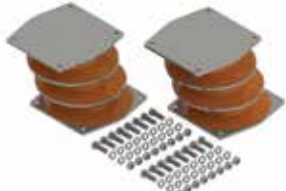
"D" Pin Bushing				
PRIMAAX, PRIMAAX EX				
				
PART NO.	OEM REF.	OD	BOLT DIA.	LENGTH
GAFF13627	60383-000	2-1/2 in.	7/8 in.	5-1/2 in.


Auxiliary Load Spring		
HAULMAAX & HN Series		
		
PART NO.	OEM REF.	NOTES
GAFF13611	60314-000	1 Slot

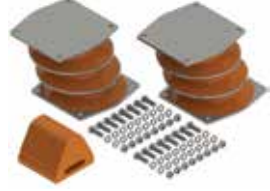
Pivot Bushing Kit, Axle Set					
PRIMAAX, PRIMAAX EX					
					
PART NO.	OEM REF.	OD	ID	LENGTH	NOTES
GAFF13817	60632-20, 60632-8	3-11/16 in.	1-1/4 in.	3-5/8 in.	Includes Bushing, Hardware and Alignment Washers

Bolster Spring				
HN Series				
				
PART NO.	OEM REF.	BOLT DIA.	LENGTH	NOTES
GAFF13601	60879-000	15/32 in.	10-7/8 in.	1 Spring

Auxiliary Load Spring Kit, Tandem Set		
HAULMAAX		
		
PART NO.	OEM REF.	NOTES
GAFF13814	60961-747	Includes 2 Load Springs & Mounting Hardware


Bolster Spring Kit				
HN Series				
				
PART NO.	OEM REF.	BOLT DIA.	LENGTH	NOTES
GAFF13721	60879-000	15/32 in.	10-7/8 in.	1 Pair for One Side, Includes Hardware


Auxiliary Load Spring		
HAULMAAX		
		
PART NO.	OEM REF.	NOTES
GAFF13812	67778-000	2 Slots, Vehicles Built After 07/15/14


Bolster Spring Kit				
HN Series				
				
PART NO.	OEM REF.	BOLT DIA.	LENGTH	NOTES
GAFF13722	60879-000	15/32 in.	10-7/8 in.	1 Pair for One Side, Includes Hardware & Auxiliary Load Spring


HENDRICKSON

Suspension Components

Bolster Spring Kit		
HAULMAAX		
		
PART NO.	OEM REF.	NOTES
GAFF13626	64179-048	Includes 2 Bolster Springs, Tie Bar and Hardware


Center Bushing with Welded End Plug					
400-460 Series					
					
PART NO.	OEM REF.	OD	ID	LENGTH	NOTES
GAFF13505	49400-000	4-3/4 in.	2-1/2 in.	12 in.	Welded End Plug

Bronze Center Bushing				
RT & RS Series				
				
PART NO.	OEM REF.	OD	ID	LENGTH
GAFF13534	30437-000	4-3/4 in.	2-1/2 in.	12 in.

End Beam Adapter		
400-460 Series		
		
PART NO.	OEM REF.	NOTES
GAFF13502	45000-007	3/4 in. Dia. x 6-1/2 in. Long Bolt

Center Bushing with Loose End Plug					
400-460 Series					
					
PART NO.	OEM REF.	OD	ID	LENGTH	NOTES
GAFF13543	49600-000	4-3/4 in.	2-1/2 in.	12 in.	Loose End Plug


End Beam Adapter		
460 Series		
		
PART NO.	OEM REF.	NOTES
GAFF13609	21140-034	1 in. Dia x 10-1/2 in. Long Bolt


Center Bushing with Welded End Plug				
340 Series				
				
PART NO.	OEM REF.	OD	LENGTH	NOTES
GAFF13500	06664-000	3-5/8 in.	12 in.	Welded End Plug

End Beam Adapter				
480 & 520 Series				
				
PART NO.	OEM REF.	OD	ID	LENGTH
GAFF13553	29878-001	4-3/8 in.	2-1/2 in.	5-3/4 in.


Suspension Components


End Beam Adapter				
340 Series				
				
PART NO.	OEM REF.	OD	ID	LENGTH
GAFF13501	06969-000	4-3/8 in.	2-1/2 in.	5-1/4 in.


End Beam Bushing Kit, Free Rotating, Shim Type			
340 - 520 Series			
			
PART NO.	OEM REF.	OD	NOTES
GAFF83596	34013-088	4-3/8 in.	Includes Mounting Hardware & Alignment Washers


End Beam Bushing Kit				
340 - 520 Series				
				
PART NO.	OEM REF.	OD	BOLT DIA.	NOTES
GAFF13607	34013-087	4-3/8 in.	1-1/16 in.	Includes Mounting Hardware

Heavy Duty Load Cushion				
RS Series				
				
PART NO.	OEM REF.	OD	ID	LENGTH
GAFF13649	24209-000	7 in.	1 in.	4 in.

End Beam Bushing Kit		
400 & 440 Series		
		
PART NO.	OEM REF.	NOTES
GAFF13566	34013-049	Includes GAFF13506 Bushing & GAFF13609 Beam Adapter

Load Cushion	
RS Series	
	
PART NO.	OEM REF.
GAFF13650	26953-000

End Beam Bushing Kit, Shim Type			
340 - 520 Series			
			
PART NO.	OEM REF.	OD	NOTES
GAFF13596	34013-088	4-3/8 in.	Includes Mounting Hardware & Alignment Washers


Pivot Bolt Kit			
INTRAAX, VANTRAAX - Wide Bushing Version			
			
PART NO.	OEM REF.	LENGTH	NOTES
GAFF13604	S-24679	10-1/2 in.	7/8-9 UNC, Includes Hardware and Alignment Washers

HENDRICKSON

Suspension Components

Pivot Bolt Kit


INTRAAX,
VANTRAAX,
ULTRAA-K
- Narrow
Bushing
Version



PART NO.	OEM REF.	LENGTH	NOTES
GAFF13673	S-24705	7 in.	7/8-9 UNC, Includes Hardware and Alignment Washers

Pivot Bushing Kit - Wide Bushing

INTRAAX,
VANTRAAX -
Wide
Bushing
Version



PART NO.	OEM REF.	OD	ID	LENGTH
GAFF13628	S-24691	6 in.	1-1/4 in.	6-3/4 in.

Pivot Bushing

PRIMAAX,
PRIMAAX EX



PART NO.	OEM REF.	OD	ID	LENGTH
GAFF18821	58648-000	3-11/16 in.	1-1/4 in.	3-5/8 in.

Wear Shims


INTRAAX,
VANTRAAX,
ULTRAA-K -
Narrow Bushing
Version



PART NO.	OEM REF.	OD	ID
GAFF13648	S-21099	7-7/16 in.	2-15/16 in.

Pivot Bushing Kit - Narrow Bushing


INTRAAX,
VANTRAAX,
ULTRAA-K
- Narrow
Bushing
Version



PART NO.	OEM REF.	OD	ID	LENGTH	NOTES
GAFF13594	S-26321	6 in.	1-1/4 in.	3-5/8 in.	Includes Bushing, Hardware and Alignment Washers

Pivot Bushing


INTRAAX,
VANTRAAX -
Wide
Bushing
Version



PART NO.	OEM REF.	OD	ID	LENGTH	NOTES
GAFF13565	S-6914	5-13/16 in.	1-1/4 in.	6-3/4 in.	Bushing Only

Pivot Bushing Kit - Narrow Bushing

INTRAAX,
VANTRAAX,
ULTRAA-K
- Narrow
Bushing
Version



PART NO.	OEM REF.	OD	ID	LENGTH	NOTES
GAFF13743	S-26321	6 in.	1-1/4 in.	3-5/8 in.	Axle Set, Includes Bushings and Hardware

Pivot Bushing with Wear Shims

INTRAAX,
VANTRAAX -
Wide
Bushing
Version




PART NO.	OEM REF.	OD	ID	LENGTH	NOTES
GAFF13600	S-24691	5-13/16 in.	1-1/4 in.	6-3/4 in.	Includes Wear Shims

Suspension Components

Pivot Bushing with Hardware and Alignment Washers


INTRAAX,
VANTRAAX
- Wide
Bushing
Version



PART NO.	OEM REF.	OD	ID	LENGTH	NOTES
GAFF13628	S-24691	5-13/16 in.	1-1/4 in.	6-3/4 in.	Includes Bolt, Nut, Alignment Washers, Wear Washers, Bolt Washers

Rebound Roller Assembly


HA & HAS
Series



PART NO.	OEM REF.	OD	ID	LENGTH	NOTES
GAFF11747	49175-005	2-1/2 in.	9/16 in.	3-5/8 in.	Includes Roller and Hardware

Pivot Bushing with Hardware, Alignment Washers Not Included

INTRAAX,
VANTRAAX
- Wide
Bushing
Version



PART NO.	OEM REF.	OD	ID	LENGTH	NOTES
GAFF13744	S-24691	5-13/16 in.	1-1/4 in.	6-3/4 in.	Includes Bolt, Nut, Wear Washers, Bolt Washers

Slipper Pad


HAS Series



PART NO.	OEM REF.	BOLT DIA.	NOTES
GAFF13524	56557-002	7/16 in.	3/8-16 UNC

Pivot Bushing With Hardware, Use for all HT Applications


HT190 -
HT300



PART NO.	OEM REF.	OD	ID	LENGTH	NOTES
GAFF13510	S-6914	5-13/16 in.	1-1/4 in.	6-3/4 in.	Includes Bolt, Nut, Wear Washers, Bolt Washers

Tapered Bushing

HAULMAAX &
HN Series



PART NO.	OEM REF.	OD	LENGTH	NOTES
GAFF13582	64697-000H	2 in.	8-1/16 in.	1-1/4-12 UNF

Wear Shims

INTRAAX,
VANTRAAX -
Wide Bushing
Version



PART NO.	OEM REF.	OD	ID
GAFF13542	S-1161-3	7 in.	2-3/8 in.


Tapered Bushing





PART NO.	OEM REF.	OD	LENGTH	NOTES
GAFF13518	64400-004L	2-3/4 in.	8-1/16 in.	1-1/4-12 UNF


HENDRICKSON


Suspension Components


Torque Rod				
HAS Series				
				
PART NO.	OEM REF.	BOLT DIA.	LENGTH	NOTES
GAFF13735	62007-365	5/8 in.	14-3/8 in.	Straddle Mount Bushings


Torque Rod			
HAULMAAX & HN Series			
			
PART NO.	OEM REF.	LENGTH	NOTES
GAFF13679	-	25 in.	1 Straddle Mount Bushing & 1 Tapered Bushing, 1-1/4-12 UNF


Torque Rod				
HAULMAAX & HN Series				
				
PART NO.	OEM REF.	BOLT DIA.	LENGTH	NOTES
GAFF13733	62350-615	5/8 in.	24-1/4 in.	1 Straddle Mount Bushing & 1 Tapered Bushing, 1-1/4-12 UNF

Torque Rod, Easy Mount			
HAULMAAX & HN Series			
			
PART NO.	OEM REF.	LENGTH	NOTES
GAFF11835	-	24 in.	1 Straddle Mount Bushing & 1 Tapered Bushing, 1-1/4-12 UNF, Straddle Bushing is Free Rotating


Torque Rod			
HAULMAAX & HN Series			
			
PART NO.	OEM REF.	LENGTH	NOTES
GAFF11080	-	24 in.	1 Straddle Mount Bushing & 1 Tapered Bushing, 1-1/4-12 UNF


Torque Rod			
HAULMAAX & HN Series			
			
PART NO.	OEM REF.	LENGTH	NOTES
GAFF12396	-	17-15/16 in.	2 Straddle Mount Bushings

Torque Rod			
HAULMAAX & HN Series			
			
PART NO.	OEM REF.	LENGTH	NOTES
GAFF13657	-	22 in.	1 Straddle Mount Bushing & 1 Tapered Bushing, 1-1/4-12 UNF

Torque Rod			
HAULMAAX & HN Series			
			
PART NO.	OEM REF.	LENGTH	NOTES
GAFF12398	-	25-5/8 in.	2 Straddle Mount Bushings

Suspension Components

Torque Rod Bushing				
HAS, HAULMAAX & HN Series				
				
PART NO.	OEM REF.	OD	ID	
GAFF13521	47691-000	2 in.	5/8 in.	

Torque Rod Bushing				
PRIMAAX, PRIMAAX EX				
				
PART NO.	OEM REF.	OD	BOLT DIA.	NOTES
GAFF11004	47691-000, A-16-119448, 47691-000L	2 in.	5/8 in.	Torque Rod Bushing, Straddle Mount, Used on Rods with 1 Tapered Bushing

Torque Rod Bushing				
HAULMAAX, HN Series, RT Series & RS Series				
				
PART NO.	OEM REF.	OD	ID	LENGTH
GAFF13520	44695-000	-	-	-

Torque Rod Bushing				
PRIMAAX, PRIMAAX EX				
				
PART NO.	OEM REF.	OD	BOLT DIA.	LENGTH
GAFF13652	65831-000	-	15/16 in.	6-1/4 in.

Torque Rod Bushing, Easy Mount				
HAULMAAX, HN Series, RT Series & RS Series				
				
PART NO.	OEM REF.	OD	ID	NOTES
GAFF83520	44695-000	-	-	Bushing is Free Rotating

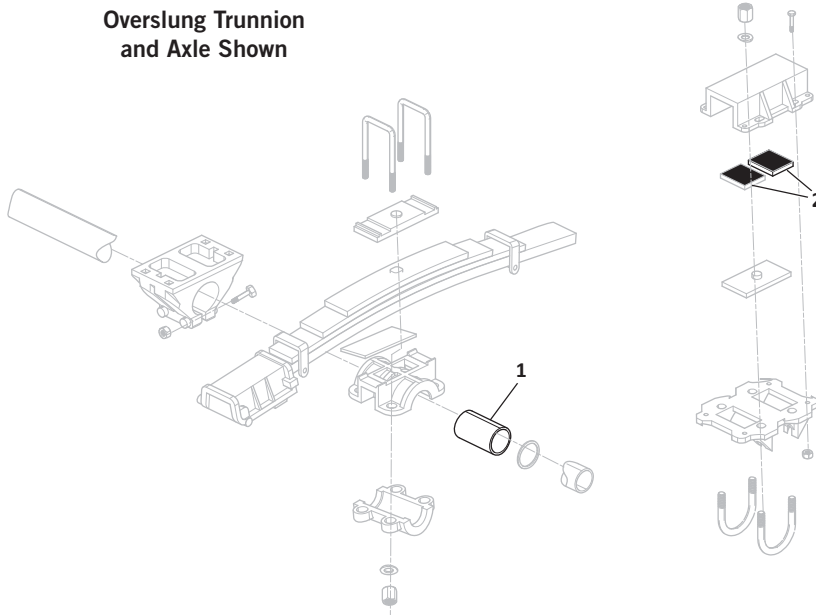
Torque Rod Bushing				
PRIMAAX, PRIMAAX EX				
				
PART NO.	OEM REF.	OD	BOLT DIA.	LENGTH
GAFF13672	69210-000	2 in.	3/4 in.	4-3/8 in.

Torque Rod Bushing					
PRIMAAX, PRIMAAX EX					
					
PART NO.	OEM REF.	OD	ID	LENGTH	NOTES
GAFF14010	47692-000	2 in.	7/8 in.	3 in.	Torque Rod Bushing, Through Bolt Style

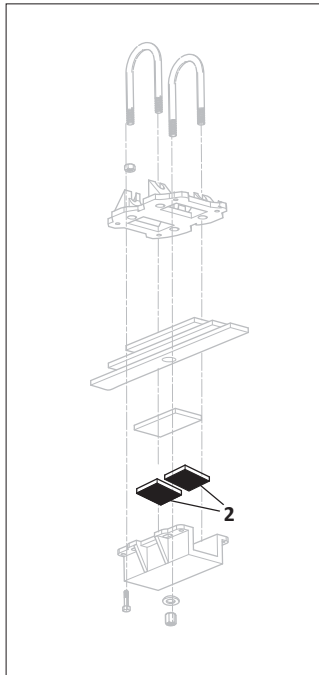
HUTCHENS

Single Point Suspension H900

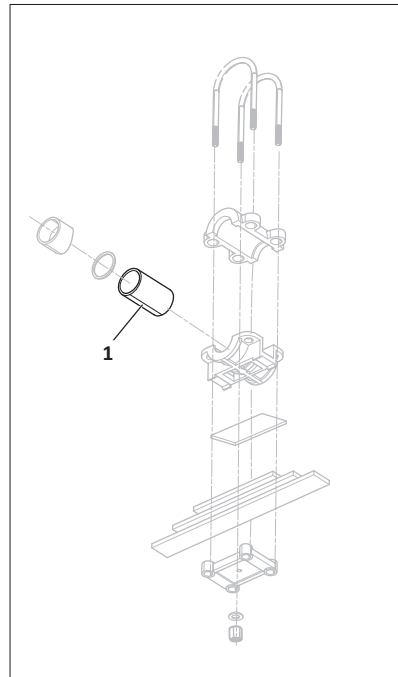
Overslung Trunnion
and Axle Shown



Underslung Axles



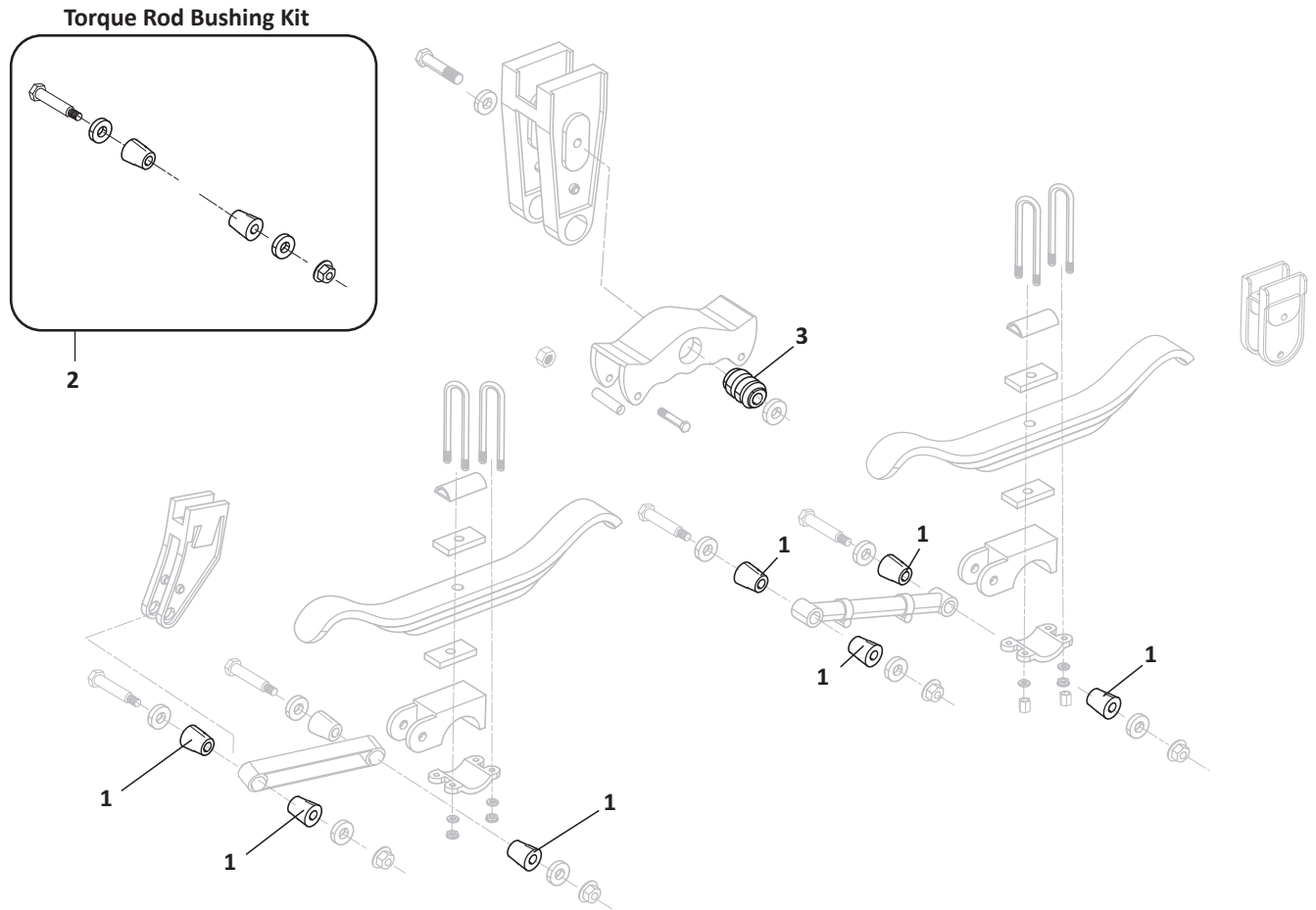
Underslung
Trunnion Assembly



Single Point Suspension H900

KEY NO.	GAFF NO.	OEM REF.	DESCRIPTION	QTY PER TANDEM
1	GAFF14027	890-00	Trunnion Bushings	2
2	GAFF14087	814-00	Spring End Pad	8

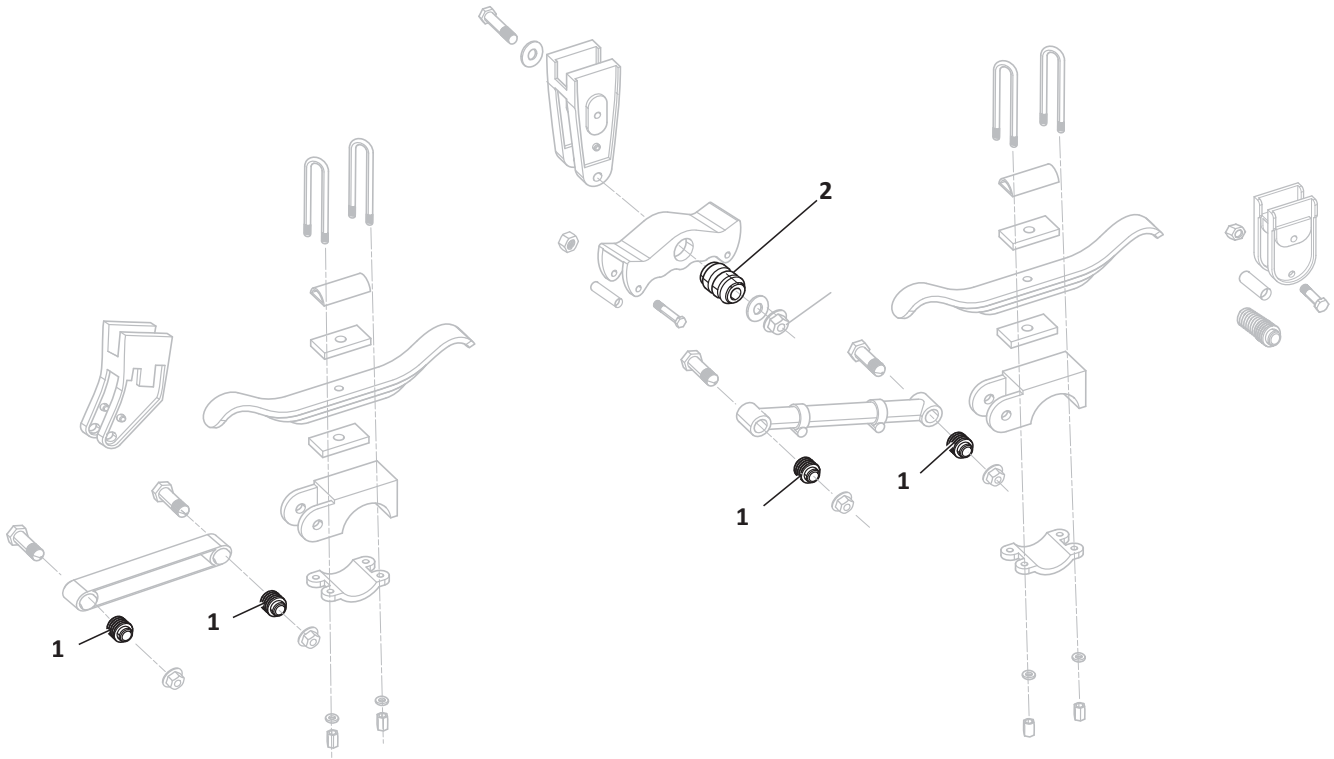
Four Spring Suspension H/CH 7600/9600



Four Spring Suspension H/CH 7600/9600				
KEY NO.	GAFF NO.	OEM REF.	DESCRIPTION	QTY PER TANDEM
1	GAFF13001	7620-00	Torque Rod Bushing	16
2	GAFF13042	-	Torque Rod Bushing Kit	8
3	GAFF14038	18723-01	Equalizer Bushing	2

HUTCHENS

Four Spring Suspension H/CH 7700/9700




Four Spring Suspension H/CH 7700/9700

KEY NO.	GAFF NO.	OEM REF.	DESCRIPTION	QTY PER TANDEM
1	GAFF14008	722-00	Torque Rod Bushing	8
	GAFF14073	722-00	Torque Rod Bushing	8
2	GAFF14038	18723-01	Equalizer Bushing	2

Suspension Components

Equalizer Bushing


Model:
H/CH 7700/9700



PART NO.	OEM REF.	OD	ID	LENGTH
GAFF14038	18723-01	3-5/16 in.	1-5/32 in.	3-7/8 in.

Torque Rod Bushing


Model:
H/CH 7600/9600



PART NO.	OEM REF.	OD	ID	LENGTH
GAFF14073	722-00	1-15/16 in.	1 in.	3 in.

Spring End Pad


Model:
H900



PART NO.	OEM REF.	LENGTH	WIDTH	THICKNESS
GAFF14087	814-00	5 in.	2-7/8 in.	13/16 in.

Torque Rod Bushing Kit


Model:
H/CH 7600/9600



PART NO.	OD	ID	LENGTH	NOTES
GAFF13042	2-3/16 in.	1-1/4 in.	2-3/8 in.	1-1/4 in. Bolt

Torque Rod Bushing

Model:
H/CH 7600/9600



PART NO.	OEM REF.	OD	ID	LENGTH
GAFF13001	7620-00	2-3/16 in.	1-1/4 in.	2-3/8 in.

Trunnion Bushings

Model:
H900



PART NO.	OEM REF.	OD	ID	LENGTH
GAFF14027	890-00	5 in.	4 in.	9 in.

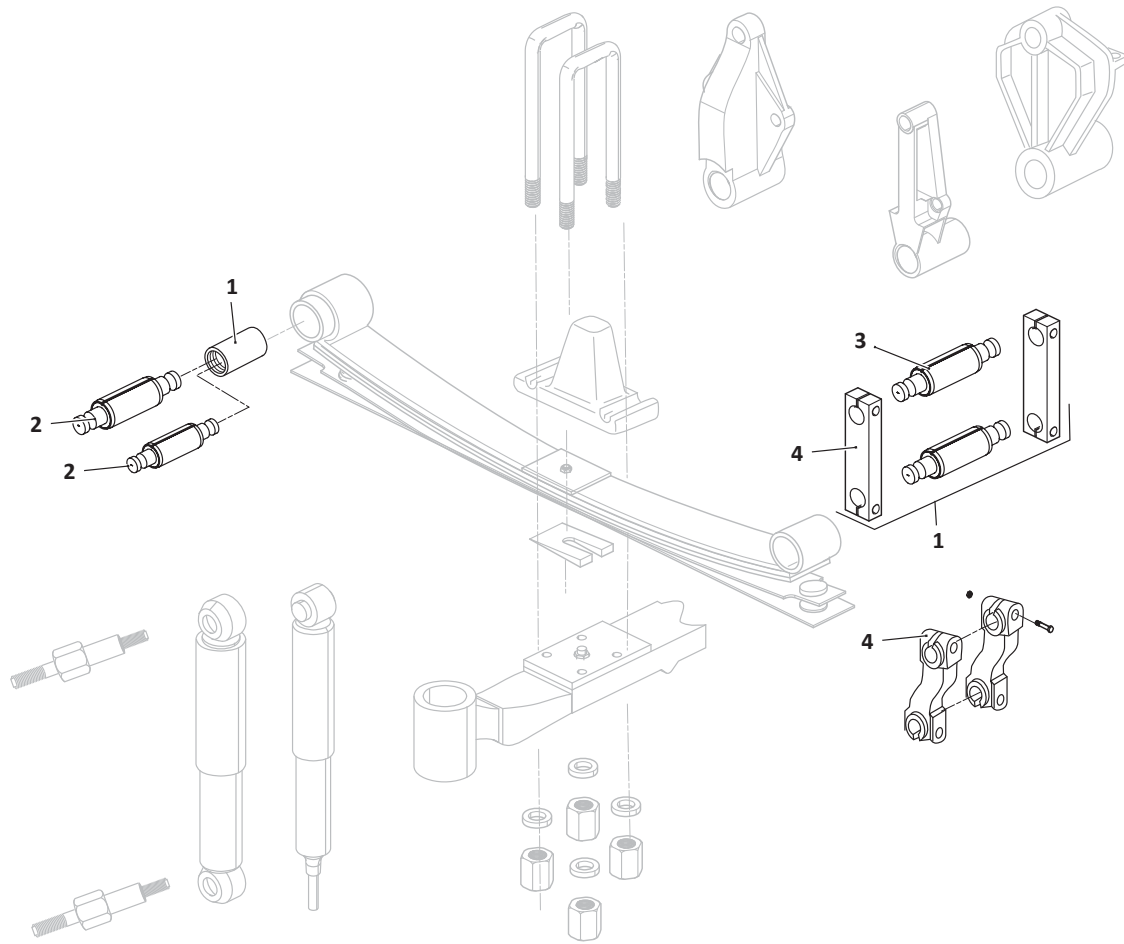
Torque Rod Bushing

Model:
H/CH 7700/9700



PART NO.	OEM REF.	OD	ID	LENGTH
GAFF14008	722-00	1-29/32 in.	1 in.	3 in.

C500, K110/300, T300/400/450/600/800/200, W900 Model



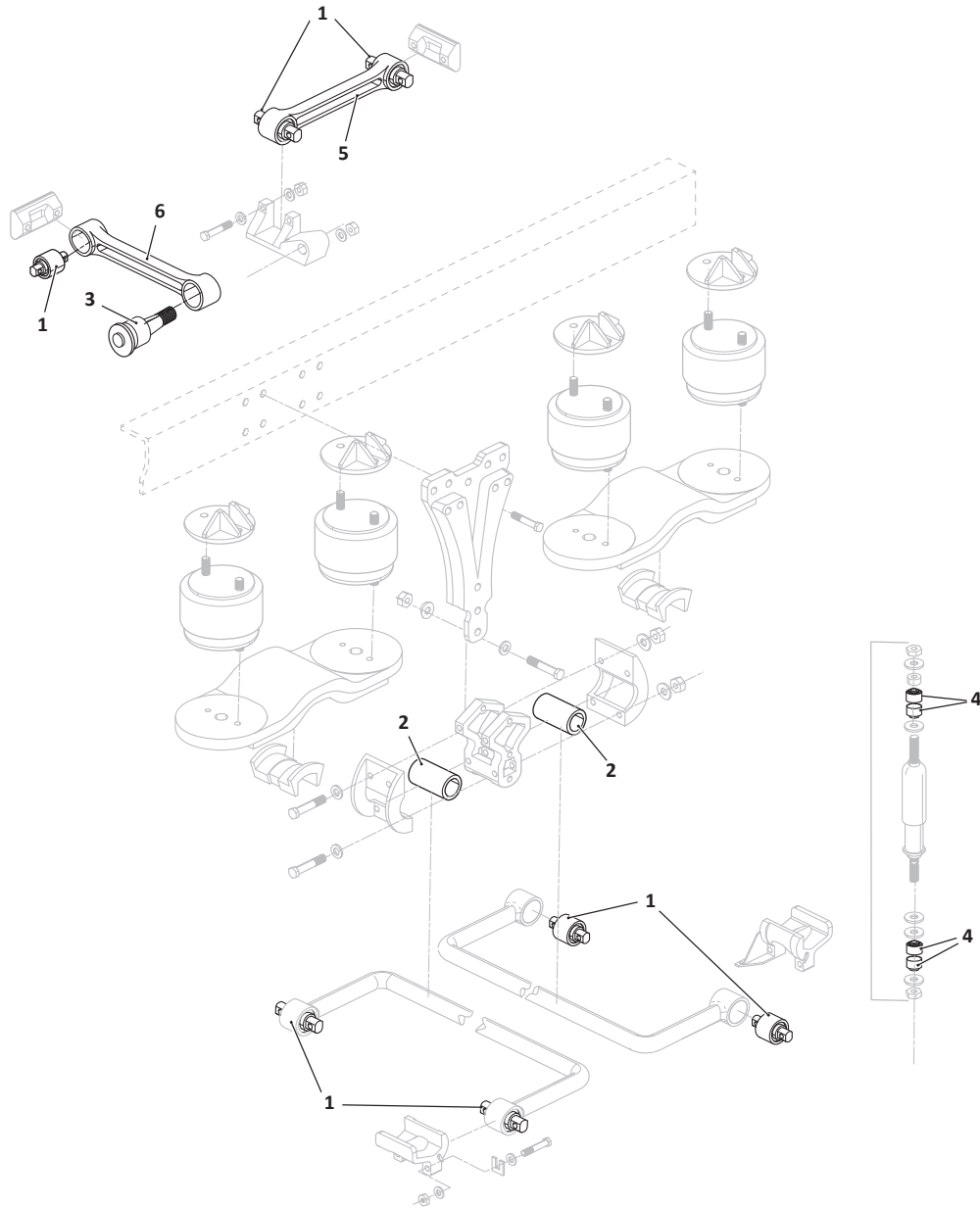
C500, K110/300, T300/400/450/600/800/200, W900 Model

KEY NO.	GAFF NO.	OEM REF.	DESCRIPTION	QTY PER TANDEM
1	GAFF11757	5295	Spring Pin Bushing Kit	6
2	GAFF11753	B65-1006	Spring Pin Bushing, 6-3/16 in. Center-to-Center	6
	GAFF11763	B65-1007, B65-1012	Spring Pin Bushing, 6-5/16 in. Center-to-Center	6
3	GAFF11758	B65-1001	Spring Pin Bushing, 5-3/4 in. Center-to-Center	6
	GAFF11767	B65-6005	Spring Pin Bushing, 5-1/2 in. Center-to-Center	6
	GAFF11802	B65-6005	Spring Pin Bushing, 5-1/2 in. Center-to-Center, Includes 2 Washers	6
4	GAFF18601	K209-59	Shackle, Offset	4
	GAFF18602	K209-82, K209-87	Shackle	4

KENWORTH

Airglide 100 Air Ride

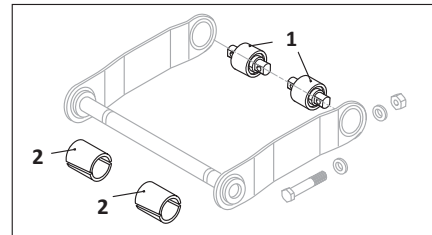
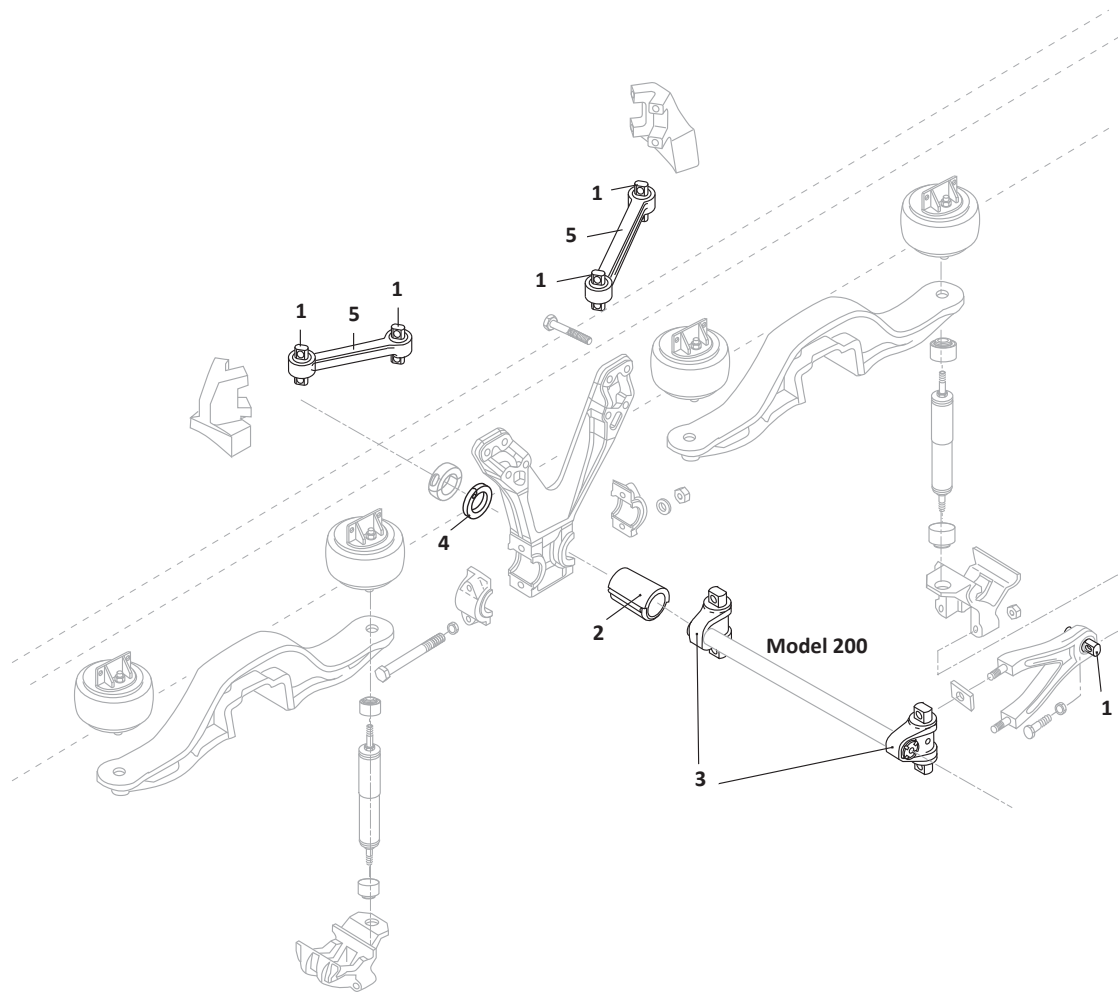
GAFF® Polyurethane
Components



Airglide 100 Air Ride				
KEY NO.	GAFF NO.	OEM REF.	DESCRIPTION	QTY PER TANDEM
1	GAFF11729	836940	Torque Rod & Stabilizer Rod Bushing	8
	GAFF13520	227720	Torque Rod Bushing	8
	GAFF83520	227720	Torque Rod Bushing, Easy-Mount	8
2	GAFF11502	K066-58, K066-50	Stabilizer Bushing	4
	GAFF11719	K066-058, K066-293, K066-449	Stabilizer Bushing, Oversized with Tabs	4
3	GAFF13518	229610	Torque Rod Bushing, Tapered Stud	2
4	GAFF22660	CA368-6	Shocks Absorber Bushing	16
5	GAFF11751	K195-375, 925031	Torque Rod, 24 in. Center-to-Center, Straddle Bushings	2
6	GAFF11080	K195-376	Torque Rod, 24 in. Center-to-Center, 1 Straddle Bushing & 1 Tapered Bushing	2

KENWORTH

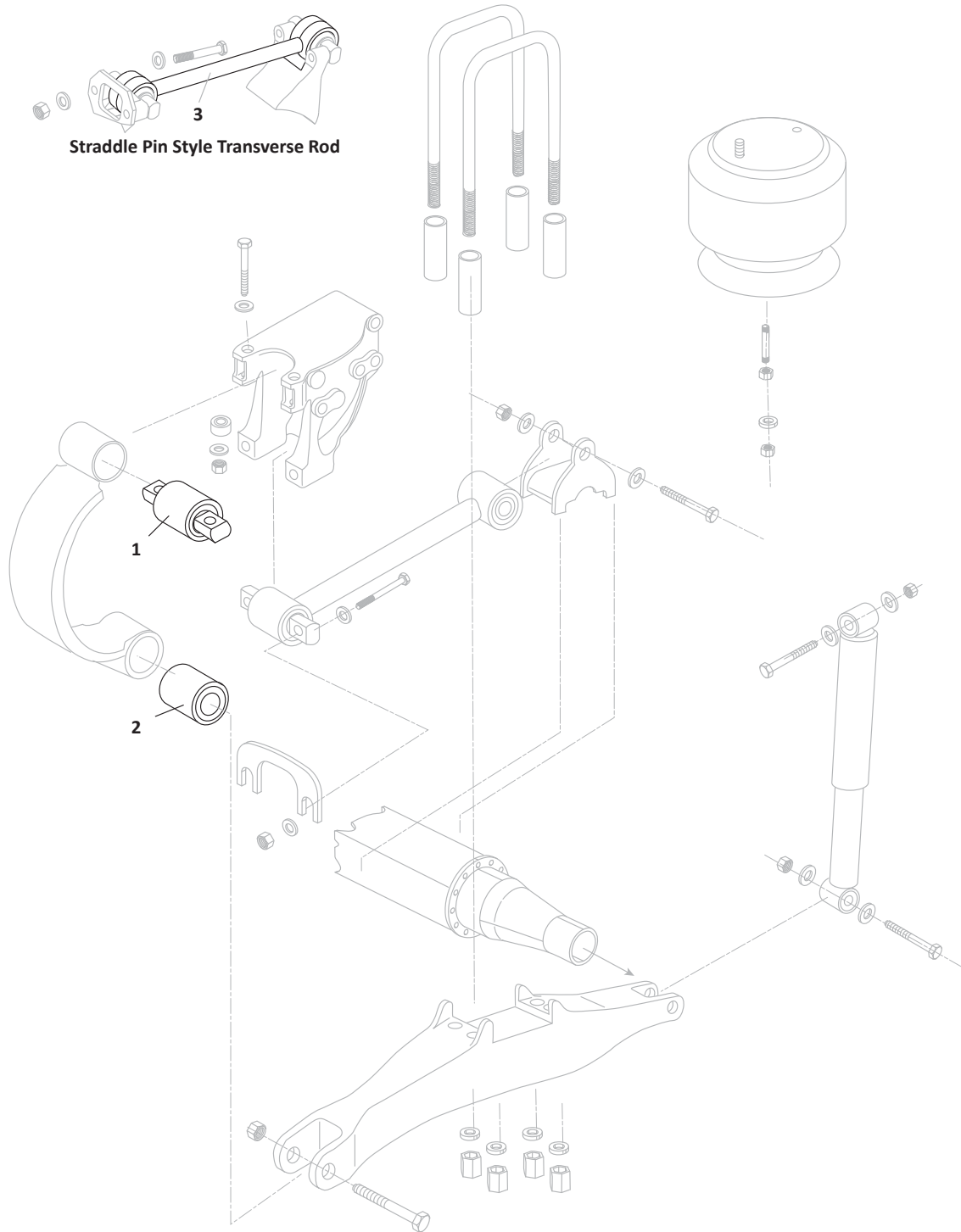
Airglide 200 / 400 Air Ride



Model 380 / 400 / 460

Airglide 200 / 400 Air Ride				
KEY NO.	GAFF NO.	OEM REF.	DESCRIPTION	QTY PER TANDEM
1	GAFF11729	836940	Torque Rod & Stabilizer Rod Bushing	8
2	GAFF11720	K066-450	Trunnion Bushing, 40K Model	4
	GAFF11743	C13-26005	Trunnion Bushing, 46K Model	4
3	GAFF11766	K345-5156, K345-5032	Sway Bar Repair Kit, Includes Plug	4
4	GAFF11734	K345-5156, K345-5032	Sway Bar Bushing	4
5	GAFF11773	K195-474	Torque Rod Assembly	8

Airglide 380





Airglide 380				
KEY NO.	GAFF NO.	OEM REF.	DESCRIPTION	QTY PER TANDEM
1	GAFF11765	C13-6001	Torque Rod Bushing	2
2	GAFF11764	C65-1002	Spring Eye Hollow Bushing	2
3	GAFF11792	C65-6009, C65-6002	Torque Arm	2
	GAFF12397	C65-6011-001	Torque Rod, 23-3/4 in. Center-to-Center, 1 Straddle Bushing & 1 Hollow Bushing	2
	GAFF11795	C65-6011-001	Torque Rod, 23-11/16 in. Center-to-Center, 1 Straddle Bushing & 1 Hollow Bushing	2


KENWORTH

Suspension Components


Shackle, Offset		
Model: C500, K110/300, T300/400/450/600/800/200, W900 Model		
		
PART NO.	OEM REF.	LENGTH
GAFF18601	K209-59	6-7/16 in.

Spring Pin Bushing			
Model: C500, K110/300, T300/400/450/600/ 800/200, W900 Model			
			
PART NO.	OEM REF.	OD	NOTES
GAFF11753	B65-1006	1-3/4 in.	6-3/16 in. Center-to-Center of Notches


Shackle		
Model: C500, K110/300, T300/400/450/600/800/200, W900 Model		
		
PART NO.	OEM REF.	LENGTH
GAFF18602	K209-82, K209-87	6-7/16 in.

Spring Pin Bushing			
Model: C500, K110/300, T300/400/450/600/ 800/200, W900 Model			
			
PART NO.	OEM REF.	OD	NOTES
GAFF11758	B65-1001	1-3/4 in.	5-3/4 in. Center-to-Center of Notches

Shocks Absorber Bushing				
Model: Airglide 200/400				
				
PART NO.	OEM REF.	OD	ID	LENGTH
GAFF11550	CA368-6, K066-266	2 in.	5/8 in.	1 in.

Spring Pin Bushing			
Model: C500, K110/300, T300/400/450/ 600/800/200, W900 Model			
			
PART NO.	OEM REF.	OD	NOTES
GAFF11763	B65-1007, B65-1012	2-1/8 in.	6-5/16 in. Center-to-Center of Notches


Spring Eye Hollow Bushing				
Model: Airglide 380				
				
PART NO.	OEM REF.	OD	ID	LENGTH
GAFF11764	C65-1002, K221-5086	2-3/8 in.	7/8 in.	2-19/32 in.

Spring Pin Bushing			
Model: C500, K110/300, T300/400/450/ 600/800/200, W900 Model			
			
PART NO.	OEM REF.	OD	NOTES
GAFF11767	B65-6005	1-3/4 in.	5-1/2 in. Center-to-Center of Notches

Suspension Components

Spring Pin Bushing

Model:
C500, K110/300,
T300/400/450/
600/800/200,
W900 Model



PART NO.	OEM REF.	OD	NOTES
GAFF11802	B65-6005	1-3/4 in.	5-1/2 in. C-to-C Includes GAFF11767 & 2 Washers

Sway Bar Bushing


Model:
Airglide
200/400



PART NO.	OEM REF.	OD	ID	LENGTH
GAFF11734	K066-502-2, K066-461, K066-454	3-9/16 in.	2-1/8 in.	1/2 in.

Spring Pin Bushing Kit

Model:
C500, K110/300,
T300/400/450/
600/800/200,
W900 Model



PART NO.	OEM REF.	NOTES
GAFF11757	5295	Includes 2 Qty. GAFF11758 Spring Bushing Front & 2 Qty. GAFF11759 Shackle Side Bar

Sway Bar Repair Kit, Includes Plug

Model:
Airglide 200/400



PART NO.	OEM REF.	NOTES
GAFF11766	K345-5156, K345-5032	Includes 1 Plug, 1 Sway Bar Bushing, 1 Sway Bar Pin & 2 Grease Seals

Stabilizer Bushing


Model:
Airglide 100



PART NO.	OEM REF.	OD	ID	LENGTH
GAFF11502	K066-58, K066-50, K066-449, K066-293	2-7/8 in.	2 in.	4 in.

Torque Rod & Stabilizer Rod Bushing

Model:
Airglide 100,
Airglide 200/400



PART NO.	OEM REF.	OD	ID
GAFF11729	836940	2-3/4 in.	11/16 in.

Stabilizer Bushing, Oversized with Tabs


Model:
Airglide
100



PART NO.	OEM REF.	OD	ID	LENGTH	NOTES
GAFF11719	K066-058, K066-293, K066-449	2-7/8 in.	2 in.	4 in.	Oversize with Tabs

Torque Rod Assembly


Model:
Airglide
200/400





PART NO.	OEM REF.	LENGTH	BOLT DIA.	NOTES
GAFF11773	K195-474	19-3/4 in.	11/16 in.	Includes 2 Qty GAFF11729 Bushings


KENWORTH


Suspension Components

Torque Rod Assembly				
				
PART NO.	OEM REF.	LENGTH	BOLT DIA.	NOTES
GAFF11751	K195-375	24 in.	5/8 in.	Includes 2 Qty GAFF13520 Bushings


Torque Rod Assembly				
				
PART NO.	OEM REF.	LENGTH	BOLT DIA.	NOTES
GAFF12397	C65-6000-001, C65-6011-001	23-3/4 in.	5/8 in.	Includes 1 Qty GAFF13521 & 1 Qty GAFF14091 Bushings


Torque Rod Assembly				
				
PART NO.	OEM REF.	LENGTH	BOLT DIA.	NOTES
GAFF11792	C65-6002, C65-6009	25-9/16 in.	5/8 in.	Includes 2 Qty GAFF13521 Bushings

Torque Rod Assembly				
				
PART NO.	OEM REF.	LENGTH	BOLT DIA.	NOTES
GAFF13679	925150, 62350-635	25 in.	5/8 in.	Includes 1 Qty GAFF13520 & 1 Qty GAFF13518 Bushings


Torque Rod Assembly				
				
PART NO.	OEM REF.	LENGTH	BOLT DIA.	NOTES
GAFF11793	C65-1008, C65-1009	20-1/4 in.	11/16 in.	Includes 2 Qty GAFF11729 Bushings

Torque Rod Assembly				
				
PART NO.	OEM REF.	LENGTH	BOLT DIA.	NOTES
GAFF13735	32271-102, 62007-365, 50376-001, 48411-008	14-3/8 in.	5/8 in.	Includes 2 Qty GAFF13520 Bushings


Torque Rod Assembly				
				
PART NO.	OEM REF.	LENGTH	BOLT DIA.	NOTES
GAFF11795	C65-6000-002, C65-6011-002	24-11/16 in.	5/8 in.	Includes 1 Qty GAFF13521 & 1 Qty GAFF14010 Bushings

Torque Rod Assembly				
Kenworth Airglide 380				
				
PART NO.	OEM REF.	LENGTH	BOLT DIA.	NOTES
GAFF11751	K195-375, 925031	24 in.	5/8 in.	Includes 2 Qty GAFF13520 Bushings


Suspension Components

Torque Rod Assembly				
Kenworth Airglide 380				
				
PART NO.	OEM REF.	LENGTH	BOLT DIA.	NOTES
GAFF11080	K195-376	24 in.	5/8 in.	Includes 1 Qty GAFF13520 & 1 Qty GAFF13518 Bushings


Torque Rod Bushing, Tapered Stud				
Model: Airglide 100				
				
PART NO.	OEM REF.	OD	LENGTH	NOTES
GAFF13518	229610	2-3/4 in.	8-1/16 in.	1-1/4-12 UNF

Torque Rod Bushing					
Model: Airglide 100					
					
PART NO.	OEM REF.	OD	ID	BOLT DIA.	NOTES
GAFF13520	227720, 44695-000	2-3/4 in.	21/32 in.	5/8 in.	Use GAFF83520 for Easy-Mount (Free Rotating Bushing)


Trunnion Bushing, 40K Model				
Model: Airglide 200/400				
				
PART NO.	OEM REF.	OD	ID	LENGTH
GAFF11720	K066-450	3-1/16 in.	2-5/32 in.	2-13/16 in.

Torque Rod Bushing				
Model: Airglide 380				
				
PART NO.	OEM REF.	LENGTH C-TO-C	OD	BOLT DIA.
GAFF11765	C13-6001	4-13/32 in.	2-3/8 in.	5/8 in.

Trunnion Bushing, 46K Model				
Model: Airglide 200/400				
				
PART NO.	OEM REF.	OD	ID	LENGTH
GAFF11743	C13-26005	3-3/32 in.	2-1/4 in.	2-7/8 in.

Torque Rod Bushing, Easy-Mount					
Model: Airglide 100					
					
PART NO.	OEM REF.	OD	ID	BOLT DIA.	NOTES
GAFF83520	227720	2-3/4 in.	21/32 in.	5/8 in.	Easy-Mount (Free Rotating Bushing)

Cab Mounts


Cab Mount					
					
PART NO.	ID	OD	OD<	LENGTH	NOTES
GAFF11519	5/8 in.	2-7/8 in.	1-13/16 in.	1-5/16 in.	No Metal Sleeve

Cab Mount				
				
PART NO.	ID	OD	OD<	LENGTH
GAFF11529	7/8 in.	2-7/16 in.	1-9/16 in.	1-7/8 in.

Cab Mount					
					
PART NO.	OEM REF.	ID	OD	OD<	LENGTH
GAFF11520	K066-228	5/8 in.	2-7/8 in.	1-7/8 in.	1-5/16 in.

Cab Mount					
					
PART NO.	OEM REF.	ID	OD	OD<	LENGTH
GAFF11531	M500-70NR	5/8 in.	2-9/16 in.	1-1/2 in.	2-1/8 in.

Cab Mount					
					
PART NO.	OEM REF.	ID	OD	OD<	LENGTH
GAFF11523	K066-251	5/8 in.	2-7/8 in.	1-13/16 in.	1-5/16 in.


Cab Mount				
				
PART NO.	OEM REF.	OD	ID	LENGTH
GAFF11532	K174-225	1-1/8 in.	3/8 in.	6-3/4 in.


Cab Mount					
					
PART NO.	OEM REF.	ID	OD	OD<	LENGTH
GAFF11527	K066-177, 05-08968	5/8 in.	2-9/16 in.	1-9/16 in.	2-1/16 in.

Cab Mount					
					
PART NO.	OEM REF.	ID	OD	OD<	LENGTH
GAFF11533	K066-336, M602-70NR, 04-9009990	5/8 in.	3 in.	1-13/16 in.	1-15/16 in.

Cab Mounts

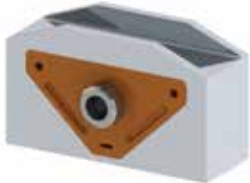
Cab Mount						
						
PART NO.	OEM REF.	ID	OD	OD<	LENGTH	
GAFF11612	M500-70NR, K066-177, K066-229	5/8 in.	2-5/8 in.	1-5/8 in.	2-1/16 in.	

Cab Mount			
			
PART NO.	OEM REF.	ID	LENGTH
GAFF11742	26509-11	1-1/2 in.	4-13/16 in.

Cab Mount						
						
PART NO.	OEM REF.	ID	OD	OD<	LENGTH	
GAFF11705	K066-176	5/8 in.	3 in.	1-13/16 in.	2-3/8 in.	

Cab Mount						
						
PART NO.	OEM REF.	ID	OD	OD<	LENGTH	NOTES
GAFF18938	K066-435-3	5/8 in.	3 in.	3/4 in.	3-7/16 in.	Use with GAFF11742

Cab Mount						
						
PART NO.	OEM REF.	ID	OD	OD<	LENGTH	NOTES
GAFF11707	M501	5/8 in.	2-1/2 in.	1-5/8 in.	2 in.	Chamfered OD<

Cab Mount				
				
PART NO.	OEM REF.	ID	WIDTH	LENGTH
GAFF18949	26732-2	11/16 in.	2-1/4 in.	6-1/16 in.

Hood Latches & Hood Hinges

Hood Guide



PART NO.	OEM REF.	OD	OD<	LENGTH	NOTES
GAFF11545	K176-8-6344, K179-528, K179-450, K179-499	3-3/16 in.	1-1/2 in.	3-7/8 in.	1/2-13 UNC

Hood Mount Kit



PART NO.	OEM REF.	NOTES
GAFF12414	13-04154, 13-04164	1 Qty. GAFF12410 Hood Hinge Bushing & 3 Qty. GAFF12370 Hood Mount

Hood Hinge Bushing



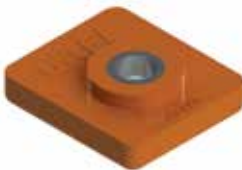
PART NO.	OEM REF.	ID	OD	LENGTH
GAFF12367	13-03440	1/2 in.	1-5/15 in.	2 in.

Hood Hinge Bushing



PART NO.	OEM REF.	ID	OD	OD<	LENGTH
GAFF11557	M300-70NR	1/2 in.	1-3/4 in.	1-1/8 in.	1-5/16 in.

Hood Mount



PART NO.	OEM REF.	LENGTH
GAFF12410	-	2-1/4 in.

Hood Latch



PART NO.	OEM REF.	LENGTH
GAFF11543	K147-107, K147C106	9-3/32 in.

Hood Hinge Bushing



PART NO.	OEM REF.	ID	OD	LENGTH
GAFF12370	-	1/2 in.	1-25/32 in.	5/8 in.

Hood Latch



PART NO.	OEM REF.	LENGTH
GAFF11768	37-99-344, 37-41-295-60	10-3/4 in.


Hood Latches & Hood Hinges


Hood Latch		
		
PART NO.	OEM REF.	LENGTH
GAFF12365	L56-0001	8-7/8 in.


Hood Latch Assembly			
			
PART NO.	OEM REF.	LENGTH	NOTES
GAFF11134	L56-0001, 23-13857, 17-124338-000, 680-080-01-60, HLK035, 1304339	4-3/16 in.	Use GAFF11851 for Latch and Hook


Hood Latch Kit		
		
PART NO.	LENGTH	NOTES
GAFF11851	4-3/16 in.	Includes Latch and Hook


Motor Mounts


Motor Mount, Front				
				
PART NO.	ID	OD<	OD	LENGTH
GAFF11536	27/32 in.	2-1/4 in.	3-11/16 in.	2-1/2 in.

Motor Mount, Front					
					
PART NO.	OEM REF.	ID	OD	LENGTH	NOTES
GAFF11615	K066-404, K066-405, K066-406, K066-407	13/16 in.	3-1/2 in.	2-3/32 in.	Includes 1 Qty. Upper Motor Mount & 1 Qty. Lower Motor Mount, Use GAFF11762 for Complete Kit

Motor Mount, Front					
					
PART NO.	OEM REF.	ID	OD<	OD	LENGTH
GAFF11537	K066-177, K066-229	3/4 in.	2-1/16 in.	3-3/4 in.	2-1/2 in.

Motor Mount, Front		
		
PART NO.	OEM REF.	NOTES
GAFF11762	K066-385, K066-404, K066-406	2 Qty. GAFF11615 Motor Mount Kit, Front & 2 Qty. Bolts & 2 Qty. Nylon Insert Nut & 4 Qty. Washer

Motor Mount			
			
PART NO.	OEM REF.	LENGTH	NOTES
GAFF11821	-	9-7/32 in.	2-3/4 in. Center-to-Center, Includes M16 x 20 Bolts, Washer, & Nuts

Motor Mount, Rear			
			
PART NO.	OEM REF.	ID	LENGTH
GAFF11539	K066-247, 05-15646, K066-320, M506-70NR	5/8 in.	5-3/4 in.

Motor Mount				
				
PART NO.	OEM REF.	ID	OD	LENGTH
GAFF18102	05-16919	3/4 in.	3-5/8 in.	2-15/32 in.

Motor Mount, Rear		
		
PART NO.	OEM REF.	NOTES
GAFF11760	K066-377, K066-391, K066-421, D13-1001-1	2 Qty. GAFF11541 Motor Mount & 2 Qty. GAFF11540 Motor Mount Rear & 2 Qty. Bolts & 2 Qty. Nylon Insert Nut & 8 Qty. Washer

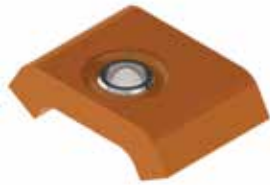
Motor Mounts

Motor Mount, Rear



PART NO.	OEM REF.	NOTES
GAFF11761	K066-247, K066-282, K066-320	2 Qty. GAFF11539 Motor Mount & 4 Qty. Bolts & 4 Qty. Nut & 8 Qty. Washers

Motor Mount, Rear (Lower)



PART NO.	OEM REF.	ID	LENGTH	NOTES
GAFF11541	K066-421, D13-1001-1	13/16 in.	4-3/16 in.	Use GAFF11760 for Complete Kit


Motor Mount, Rear (Upper)




PART NO.	OEM REF.	ID	LENGTH	NOTES
GAFF11540	K066-377, K066-391, D13-1001-1	13/16 in.	7-7/8 in.	Use GAFF11760 for Complete Kit


Radiator, Air Cooler Mounts & Exhaust Mounts

Air Cooler Mount					
					
PART NO.	OEM REF.	ID	OD	OD<	LENGTH
GAFF11554	M200-70EP	3/8 in.	1-1/8 in.	3/4 in.	7/8 in.

Radiator Kit		
		
PART NO.	OEM REF.	NOTES
GAFF11804	N4751001, CB-2203-73	4 Qty. Air Cooler Mount Kit & 4 Qty. Bolts & 4 Qty. Washer & 4 Qty. Nut


Radiator Mount				
				
PART NO.	ID	OD	LENGTH	NOTES
GAFF11548	1/2 in.	1-5/8 in.	1-3/8 in.	1 Qty. Upper Radiator Mount & 1 Qty. Lower Radiator Mount

Exhaust Mount				
				
PART NO.	OEM REF.	ID	OD	NOTES
GAFF12357	14-14656; 14-B656	13/32 in.	1-5/16 in.	Includes Upper and Lower Exhaust Mount

Radiator Mount					
					
PART NO.	OEM REF.	ID	OD	OD<	LENGTH
GAFF11549	K264-84	5/8 in.	1-5/8 in.	13/16 in.	13/16 in.


Exhaust Mount Kit				
				
PART NO.	OEM REF.	ID	OD	NOTES
GAFF12381	14-14656; PB-B4656	13/32 in.	1-5/16 in.	Includes 8 Qty GAFF12357

Exhaust Bushing					
					
PART NO.	OEM REF.	ID	LENGTH C-TO-C	WIDTH	NOTES
GAFF11809	M13-1009	15/32 in.	2-3/4 in.	2 in.	3/8 in. Bolt Holes

Exhaust Bushing Kit				
				
PART NO.	OEM REF.	OD	LENGTH	NOTES
GAFF11810	13-6001	1-25/32 in.	7-29/32 in.	2 Qty. GAFF11812 Bushing & 1 Qty. Pin & 1 Qty. Washers & 2 Qty. E-Clips

Radiator, Air Cooler Mounts & Exhaust Mounts

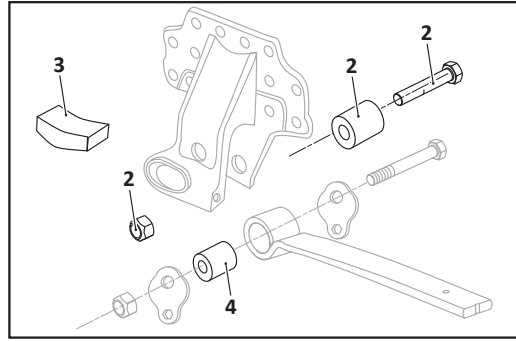
Exhaust Bushing Kit		
		
PART NO.	OEM REF.	NOTES
GAFF11811	M13-6001, M13-1009, CB-2203-73	1 Qty. GAFF11809 Exhaust Mount & 1 Qty. GAFF11810 Exhaust Mount

Exhaust Bushing Kit			
			
PART NO.	ID	OD	OD<
GAFF11812	7/16 in.	1-3/4 in.	3/4 in.

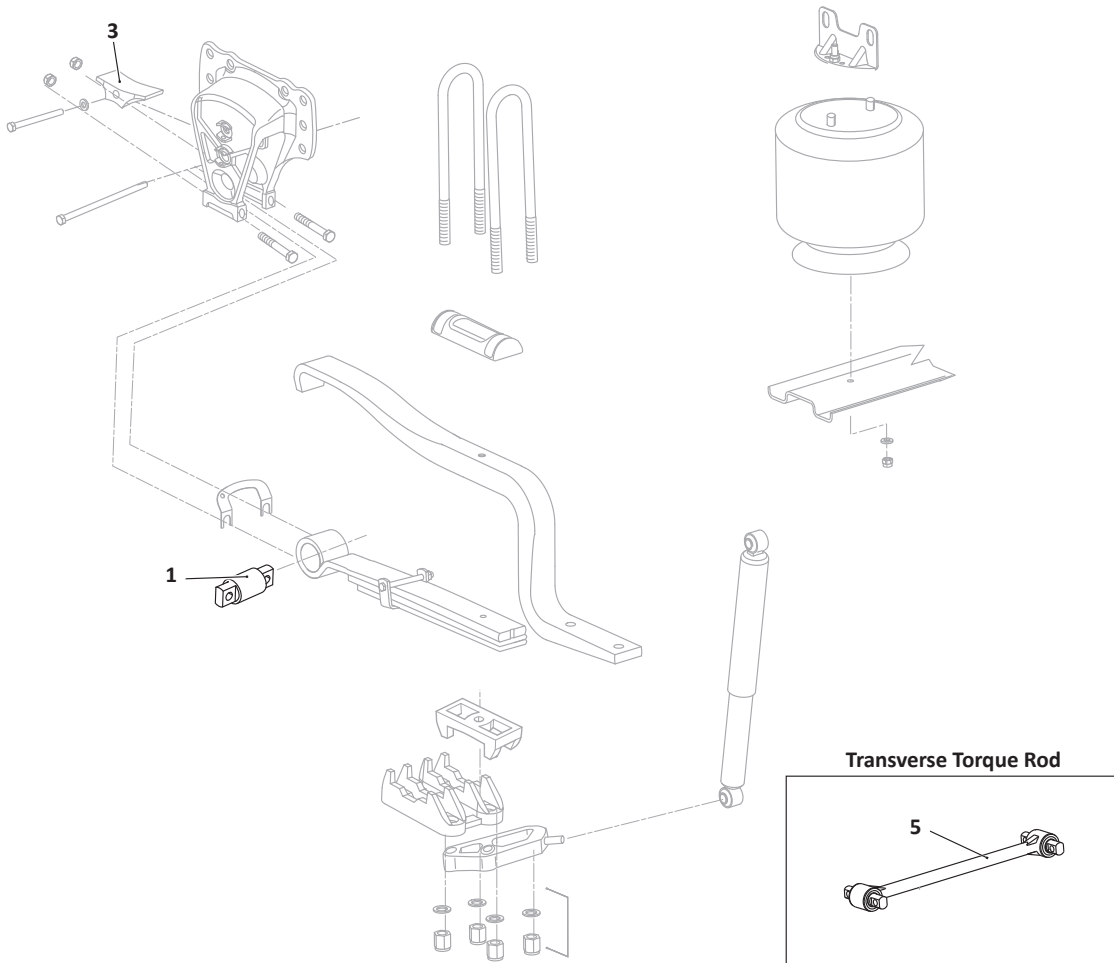
MACK

Maxlite 40EZ

Alternate Hanger & Slipper Pad



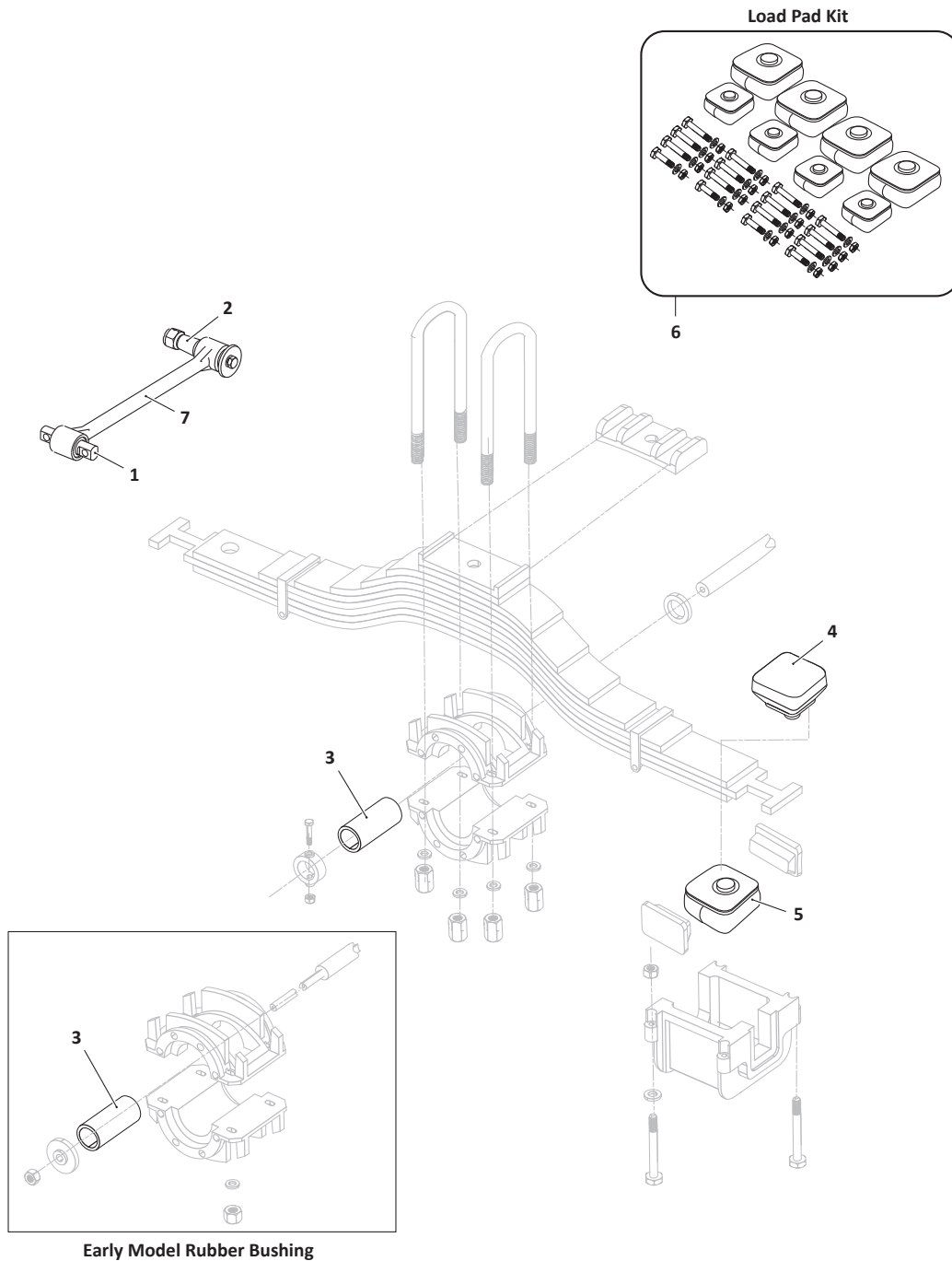
2007 and Later



Transverse Torque Rod

Maxlite 40EZ				
KEY NO.	GAFF NO.	OEM REF.	DESCRIPTION	QTY PER TANDEM
1	GAFF13522	35033-3201, 227710	Torque Rod Bushing	2
2	GAFF11747	57989000C05D	Roller Kit	2
3	GAFF31144	20703083	Wear Pad, 2007 and later	2
	GAFF31145	8079889, 20568741	Wear Pad, 1999-2006	2
4	GAFF31129	20558810	Spring Eye Bushing	2
5	GAFF18860	30SQ4525	Transverse Torque Rod	2

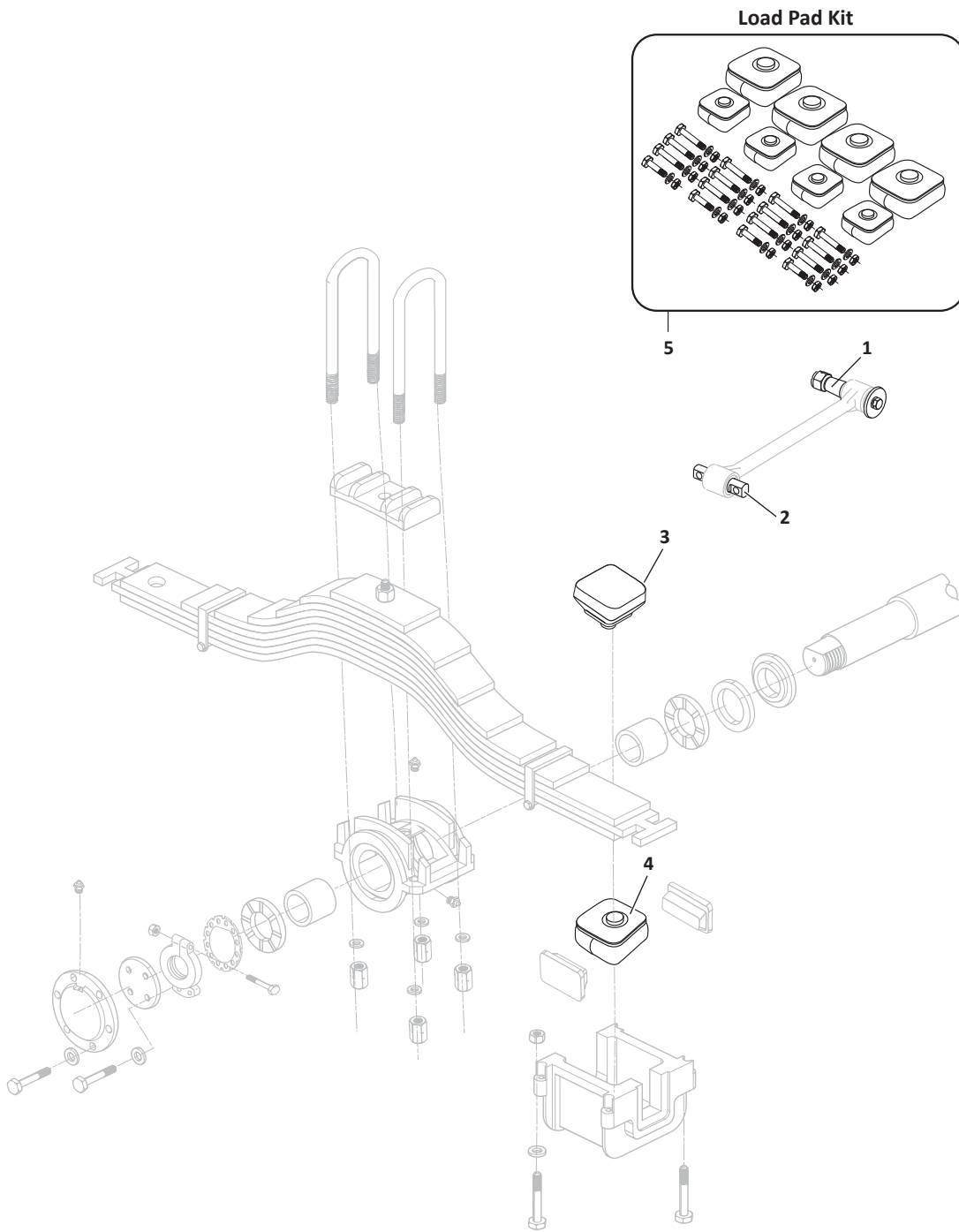
SS34 & 38 Tandem Suspension 4 in. Wide Spring



Early Model Rubber Bushing

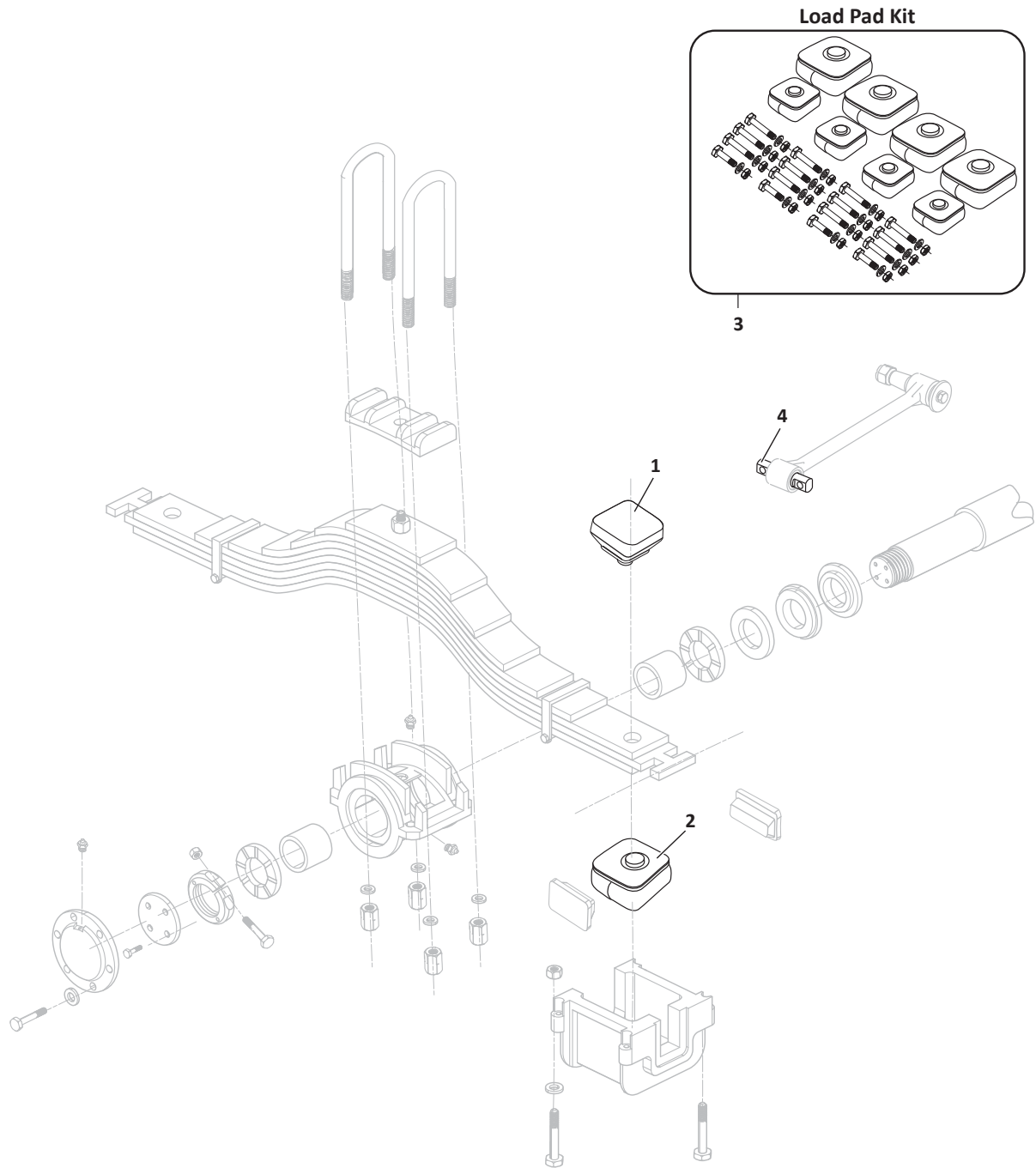
SS34 & 38 Tandem Suspension 4 in. Wide Spring				
KEY NO.	GAFF NO.	OEM REF.	DESCRIPTION	QTY PER TANDEM
1	GAFF13520	227720	Torque Rod Bushing	1
	GAFF83520	227720	Torque Rod Bushing, Easy-Mount	1
2	GAFF12031	46735	Torque Rod Bushing, Tapered Stud	2
3	GAFF12015	10QK276	Trunnion Bushing, 6-5/16 in. Long	2
	GAFF12028	10QK130P1	Trunnion Bushing, 8-3/8 in. Long	2
4	GAFF12006	10QK365A	Upper Insulator Pad	4
	GAFF12010	10QK370	Upper Insulator Pad	4
5	GAFF12014	10QK36B	Lower Insulator Pad	4
6	GAFF12039	-	Load Pad Kit, Includes Upper & Lower Pads with Hardware	1
7	GAFF12072	17QF464P180, 1RY48P23, 17QF251P11, 25162529	Torque Rod	4

SS44 Series (Formerly SWS 573) 4 in. Wide Spring



SS44 Series (Formerly SWS 573) 4 in. Wide Spring				
KEY NO.	GAFF NO.	OEM REF.	DESCRIPTION	QTY PER TANDEM
1	GAFF12031	46735	Torque Rod Bushing, Tapered Stud	2
2	GAFF13528	49210, 64400-005L, 57750528, 1693063C1	Torque Rod Bushing, Straddle Mount	2
		1694129C1		
3	GAFF12010	10QK370	Upper Insulator Pad	4
4	GAFF12014	10QK36B	Lower Insulator Pad	4
5	GAFF12036	-	Load Pad Kit, Includes Upper & Lower Pads with Hardware	1

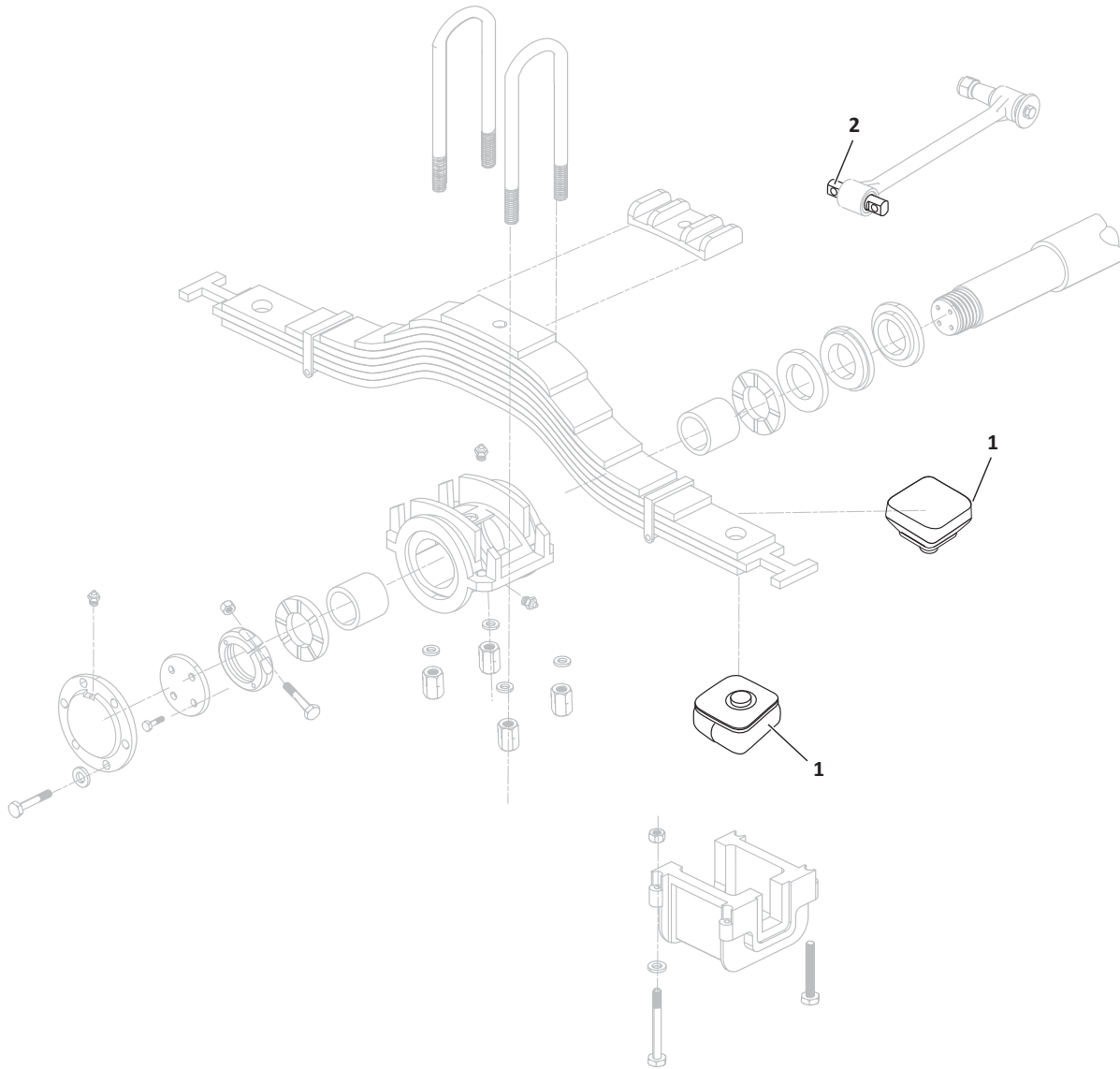
SS50C Series 4 in. Wide Spring



SS50C Series 4 in. Wide Spring

KEY NO.	GAFF NO.	OEM REF.	DESCRIPTION	QTY PER TANDEM
1	GAFF12006	10QK365A	Upper Insulator Pad	4
	GAFF12010	10QK370	Upper Insulator Pad	4
2	GAFF12014	10QK36B	Lower Insulator Pad	4
3	GAFF12036	-	Load Pad Kit, Includes GAFF12010 Upper Pad and GAFF12014 Lower Pad	1
	GAFF12039	-	Load Pad Kit, Includes GAFF12006 Upper Pad and GAFF12014 Lower Pad	1
4	GAFF13528	49210, 64400-005L, 57750528, 1693063C1	Torque Rod Bushing, Straddle Mount	2
	GAFF13685	1694129C1	Torque Rod Bushing, Straddle Mount	2

SS58C & SS65-C Series 5 in. Wide Spring




SS58C & SS65-C Series 5 in. Wide Spring				
KEY NO.	GAFF NO.	OEM REF.	DESCRIPTION	QTY PER TANDEM
1	GAFF12053	10QK32BP1	Upper Insulator Pad	4
	GAFF12009	10QK372	Lower Insulator Pad	4
2	GAFF13528	49210, 64400-005L, 57750528, 1693063C1	Torque Rod Bushing, Straddle Mount	2
		GAFF13685		

Suspension Components


Load Pad Kit

Model:
SS34 & 38



PART NO.	OEM REF.	NOTES
GAFF12039	-	Includes 4 GAFF12006 Upper Pads & 4 GAFF12014 Lower Pads with Hardware


Torque Rod Assembly



PART NO.	OEM REF.	LENGTH	BOLT DIA.	THD	NOTES
GAFF11080	25164994, 17QF455P240, K195-376	24 in.	5/8 in.	1-1/4-12 UNF	Includes 1 Qty GAFF13520 & 1 QTY GAFF13518 Bushings


Load Pad Kit

Model:
SS44



PART NO.	OEM REF.	NOTES
GAFF12036	-	Includes 4 GAFF12010 Upper Pads & 4 GAFF12014 Lower Pads with Hardware

Torque Rod Assembly



PART NO.	OEM REF.	LENGTH	BOLT DIA.	NOTES
GAFF12069	251170832, 17QF460P210, 17QF473M2, 17QF474P209	21 in.	5/8 in.	Includes 2 Qty GAFF13520 Bushings


Lower Insulator Pad

Model:
SS34 & 38,
SS44, SS50C



PART NO.	OEM REF.	LENGTH	HEIGHT	WIDTH
GAFF12014	10QK36B	7-5/32 in.	3-3/4 in.	7 in.

Torque Rod Assembly



PART NO.	OEM REF.	LENGTH	BOLT DIA.	NOTES
GAFF12070	17QF460P200, 17QF473M, 3226713, 25170831	20 in.	5/8 in.	Includes 2 Qty GAFF13520 Bushings


Lower Insulator Pad

Model:
SS58C &
SS65-C



PART NO.	OEM REF.	LENGTH	HEIGHT	WIDTH
GAFF12009	10QK372	7-25/32 in.	4 in.	7-25/32 in.


Torque Rod Assembly



PART NO.	OEM REF.	LENGTH	BOLT DIA.	NOTES
GAFF12071	17QF460P243, 25170833, 62000-615	24-3/16 in.	5/8 in.	Includes 2 Qty GAFF13520 Bushings


Suspension Components

Torque Rod Assembly




PART NO.	OEM REF.	LENGTH	BOLT DIA.	NOTES
GAFF12072	17QF464P180, 1RY48P23, 17QF251P11, 25162529	18 in.	5/8 in. & 1-1/4-12 UNF	Includes 1 Qty GAFF13520 & 1 QTY GAFF12031 Bushings

Torque Rod Assembly




PART NO.	OEM REF.	LENGTH	BOLT DIA.	NOTES
GAFF13634	25174706, 17QF460P220	22 in.	11/16 in.	Includes 2 Qty GAFF11729 Bushings

Torque Rod Assembly




PART NO.	OEM REF.	LENGTH	BOLT DIA.	NOTES
GAFF12073	25174658, 17QF460P215	21-1/2 in.	5/8 in.	Includes 2 Qty GAFF13520 Bushings

Torque Rod Assembly




PART NO.	OEM REF.	LENGTH	BOLT DIA.	NOTES
GAFF13733	62350-615, 25171605, 17QF455P243	14-3/8 in.	5/8 in.	Includes 1 Qty GAFF13520 & 1 QTY GAFF13518 Bushings

Torque Rod Assembly




PART NO.	OEM REF.	LENGTH	BOLT DIA.	NOTES
GAFF12074	25160749, 25164945, 17QF457P238, 17QF460P238	23-3/4 in.	11/16 in.	Includes 2 Qty GAFF11729 Bushings

Torque Rod Assembly




PART NO.	OEM REF.	LENGTH	BOLT DIA.	NOTES
GAFF13735	17QF357M	14-3/8 in.	5/8 in.	Includes 2 Qty GAFF13520 Bushings

Torque Rod Assembly



PART NO.	OEM REF.	LENGTH	BOLT DIA.	NOTES
GAFF12396	4000- 62010455	17-5/16 in.	5/8 in.	Includes 2 Qty GAFF13520 Bushings


Torque Rod Assembly



PART NO.	OEM REF.	LENGTH	BOLT DIA.	NOTES
GAFF34555	4000- 62350645	25-1/4 in.	5/8 in. & 1-1/4-12 UNF	Includes 1 Qty GAFF13520 & 1 QTY GAFF13518 Bushings

Suspension Components


Torque Rod Assembly



PART NO.	OEM REF.	LENGTH	BOLT DIA.	NOTES
GAFF34556	4000-62000590, 4000-62001590	23-1/4 in.	5/8 in.	Includes 2 Qty GAFF13520 Bushings


Torque Rod Bushing

Model:
Maxlite 40EZ



PART NO.	OEM REF.	OD	BOLT DIA.
GAFF13522	35033-3201, 227710, 44694-000	2-1/2 in.	5/8 in.


Torque Rod Assembly



PART NO.	OEM REF.	LENGTH	BOLT DIA.	NOTES
GAFF18860	30SQ4525, 3187322, 35801-0068	22-1/8 in.	5/8 in.	Includes 2 Qty GAFF13520 Bushings


Torque Rod Bushing

Model:
SS34 & 38



PART NO.	OEM REF.	OD	ID	BOLT DIA.	NOTES
GAFF13520	227720, 44695-000	2-3/4 in.	21/32 in.	5/8 in.	Use GAFF83520 for Easy-Mount (Free Rotating Bushing)


Torque Rod Assembly



PART NO.	OEM REF.	LENGTH	BOLT DIA.	NOTES
GAFF12042	35801-5018	26 in.	5/8 in. & 1-1/4-12 UNF	Includes 1 Qty GAFF13520 & 1 Qty GAFF12031 Bushing


Torque Rod Bushing

Model:
SS34 & 38,
SS44



PART NO.	OEM REF.	OD	BOLT DIA.
GAFF13528	49210, 64400-005L, 57750528, 1693063C1	2-3/4 in.	3/4 in.

Torque Rod Assembly



PART NO.	OEM REF.	LENGTH	BOLT DIA.	NOTES
GAFF13657	35801-0033	22 in.	5/8 in. & 1-1/4-12 UNF	Includes 1 Qty GAFF13520 & 1 Qty GAFF13518 Bushing

Torque Rod Bushing

Model:
SS34 & 38, SS44




PART NO.	OEM REF.	OD	BOLT DIA.
GAFF13685	1694129C1	2-3/4 in.	7/8 in.

Suspension Components

Torque Rod Bushing, Easy-Mount


Model:
SS34 & 38



PART NO.	OEM REF.	OD	ID	BOLT DIA.	NOTES
GAFF83520	227720, 44695-000	2-3/4 in.	21/32 in.	5/8 in.	Easy-Mount (Free Rotating Bushing)

Roller Kit


Model:
Maxlite 40EZ



PART NO.	OEM REF.	NOTES
GAFF11747	57989000C05D	1 Qty. Bushing & 1 Qty. Sleeve & 1 Qty. Nylon Insert Nut & 2 Qty. Washer & 1 Qty. Bolt

Torque Rod Bushing, Tapered Stud

Model:
SS34 & 38,
SS44



PART NO.	OEM REF.	OD	LENGTH	NOTES
GAFF12031	46735	2-3/4 in.	7 in.	1-1/4-12 UNF

Wear Pad

Model:
Maxlite 40EZ



PART NO.	OEM REF.	NOTES
GAFF31144	20703083	2007 and Later

Trunnion Bushing

Model:
SS34 & 38



PART NO.	OEM REF.	OD	ID	LENGTH
GAFF12015	10QK276	4-11/16 in.	3-7/16 in.	6-5/16 in.

Wear Pad

Model:
Maxlite 40EZ



PART NO.	OEM REF.	NOTES
GAFF31145	8079889, 20568741	1999 to 2006

Trunnion Bushing

Model:
SS34 & 38



PART NO.	OEM REF.	OD	ID	LENGTH
GAFF12028	10QK130P1	4-7/16 in.	3-7/16 in.	8-3/8 in.

Spring Eye Bushing

Model:
Maxlite 40EZ




PART NO.	OEM REF.	OD	ID
GAFF31129	20558810	2-17/32 in.	7/8 in.

Suspension Components

Transverse Torque Rod


Model:
Maxlite 40EZ



PART NO.	OEM REF.	LENGTH	NOTES
GAFF18860	30SQ4525	22-1/8 in.	Includes 2 Qty GAFF13520 Bushings

Upper Insulator Pad

Model:
SS34 & 38,
SS50C



PART NO.	OEM REF.	LENGTH	HEIGHT	WIDTH
GAFF12006	10QK365A	6-9/16 in.	2-3/8 in.	4-11/32 in.

Upper Insulator Pad

Model:
SS34 & 38,
SS50C



PART NO.	OEM REF.	LENGTH	HEIGHT	WIDTH
GAFF12010	10QK370	6-1/2 in.	3 in.	5-3/16 in.

Upper Insulator Pad

Model:
SS58C &
SS65-C



PART NO.	OEM REF.	LENGTH	HEIGHT	WIDTH
GAFF12053	10QK32BP1	7-15/32 in.	3-3/4 in.	6-3/16 in.

MACK

Cab Mounts

Cab Mount



PART NO.	OEM REF.	ID	OD	OD<	LENGTH
GAFF12004	20QL2101	5/8 in.	2-5/8 in.	1-3/8 in.	1-1/2 in.

Cab Mount



PART NO.	OEM REF.	ID	WIDTH	LENGTH
GAFF12052	30QS3479AM	13/16 in.	3-1/8 in.	6 in.

Cab Mount



PART NO.	OEM REF.	ID	WIDTH	LENGTH
GAFF12084	-	11/16 in.	3-1/8 in.	3-1/16 in.

Hood Latches & Hood Hinges

Hood Hinge Bushing



PART NO.	OEM REF.	ID	OD	OD<	LENGTH
GAFF11544	20QL231P1	1/2 in.	1-3/4 in.	1-1/4 in.	1-1/4 in.


Hood Guide





PART NO.	OEM REF.	OD	OD<	LENGTH
GAFF11545	25QM-31	3-3/16 in.	1-1/2 in.	5-1/4 in.


Motor Mounts

Motor Mount					
					
PART NO.	OEM REF.	ID	OD	OD<	LENGTH
GAFF12000	20QL1175, 20QL1118A, 25167342	3/4 in.	3-1/4 in.	2 in.	1-15/32 in.


Motor Mount Kit, Front					
					
PART NO.	OEM REF.	ID	WIDTH	LENGTH	NOTES
GAFF12045	20QL322, 20QL329, 25164809, 25172757	5/8 in.	3 in.	6-23/32 in.	1 Qty. Upper Motor Mount & 1 Qty. Lower Motor Mount

Motor Mount					
					
PART NO.	OEM REF.	ID	OD	OD<	LENGTH
GAFF12002	20QL2110, 20QL258	7/8 in.	3-1/2 in.	2-1/4 in.	3 in.

Motor Mount Kit, Front					
					
PART NO.	OEM REF.	ID	OD	LENGTH	NOTES
GAFF12047	20QL312M2	5/8 in.	2-5/8 in.	1-1/16 in.	2 Qty. GAFF12046 Motor Mount, Front & 1 Qty. Spacer Sleeve

Motor Mount Kit		
		
PART NO.	OEM REF.	NOTES
GAFF12034	204SX216, 20QL1175, 20QL1118A	8 Qty. GAFF12000 Motor Mount & 4 Qty. 3/4 in.-16 UNF x 6-1/2 in. Bolts & 4 Qty. Nylon Insert Nut & 8 Qty. Washer


Motor Mount, Front					
					
PART NO.	OEM REF.	ID	OD<	OD	LENGTH
GAFF12046	20QL312M2	11/16 in.	1-7/16 in.	2-5/8 in.	1-5/16 in.

Motor Mount Kit		
		
PART NO.	OEM REF.	NOTES
GAFF12035	204SX389	8 Qty. GAFF12000 Motor Mount & 4 Qty. 3/4 in.-16 UNF x 5 in. Bolts & 4 Qty. Nylon Insert Nut & 8 Qty. Washer

Motor Mount, Rear					
					
PART NO.	OEM REF.	ID	OD	OD<	LENGTH
GAFF12023	20QK324M	7/8 in.	3-5/8 in.	2-5/16 in.	1-15/16 in.

MACK


Motor Mounts


Motor Mount, Rear			
			
PART NO.	OEM REF.	LENGTH	NOTES
GAFF12372	20QL338M	8-7/8 in.	1-1/4-12 UNF

Radiator & Air Cooler Mounts

Air Cooler Mount				
				
PART NO.	OEM REF.	ID	OD	LENGTH
GAFF12049	20QL37P3	3/8 in.	1-1/4 in.	1-1/16 in.

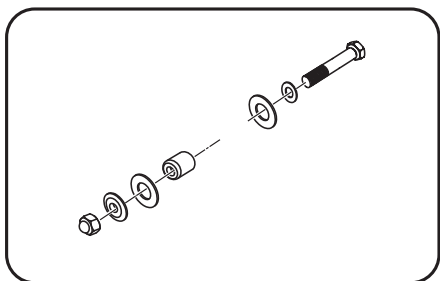
Radiator Mount				
				
PART NO.	OEM REF.	ID	OD	LENGTH
GAFF12032	20QL259A	9/16 in.	1-7/8 in.	1-13/16 in.

Radiator Mount				
				
PART NO.	OEM REF.	ID	OD	LENGTH
GAFF12026	25121334, 20QL295, 20QL295M	5/8 in.	2-1/2 in.	2-1/2 in.

Radiator Mount					
					
PART NO.	OEM REF.	ID	OD	OD<	LENGTH
GAFF18837	20QL231P1, 20QL231P12	5/8 in.	2 in.	1-5/16 in.	1-1/4 in.

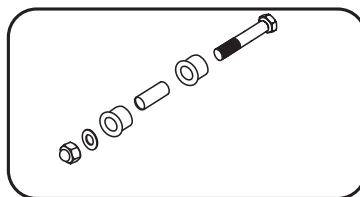
RHP/MPA Series, Trailer, Air Suspension

Torque Arm Bushing & Bolt Kit

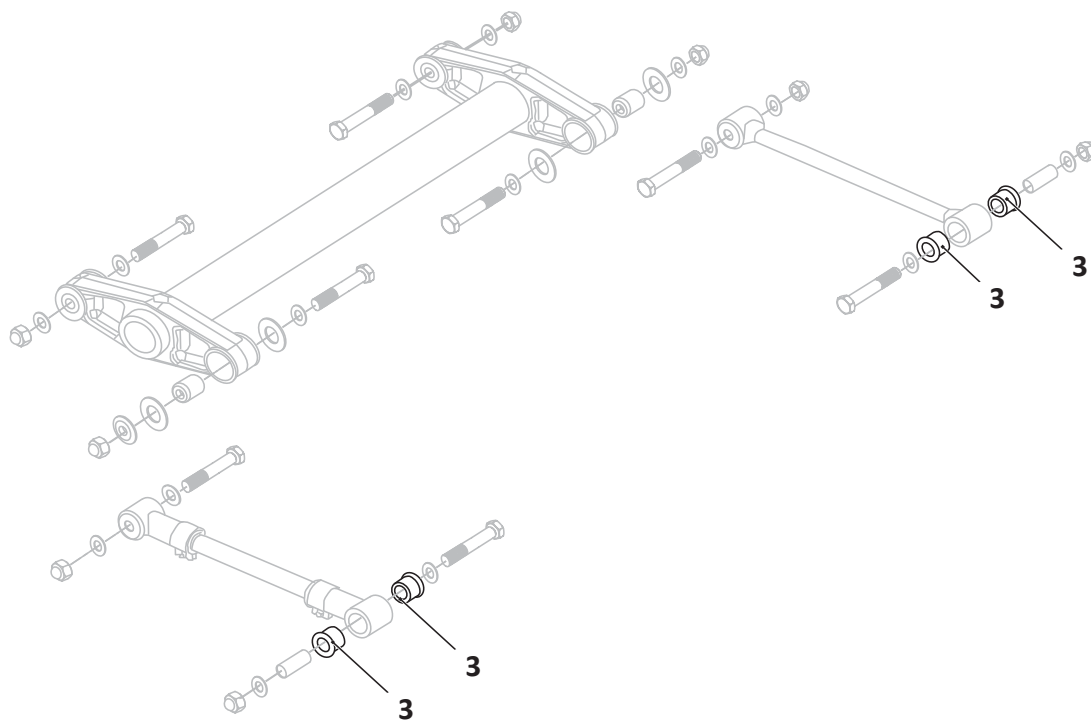


1

Torque Arm Bushing & Bolt Kit



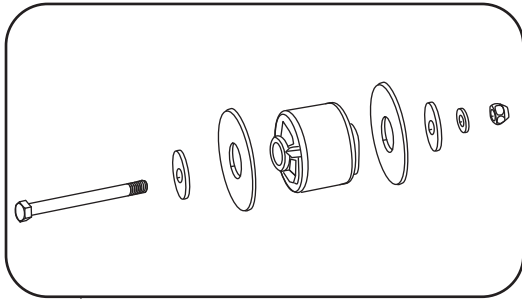
2



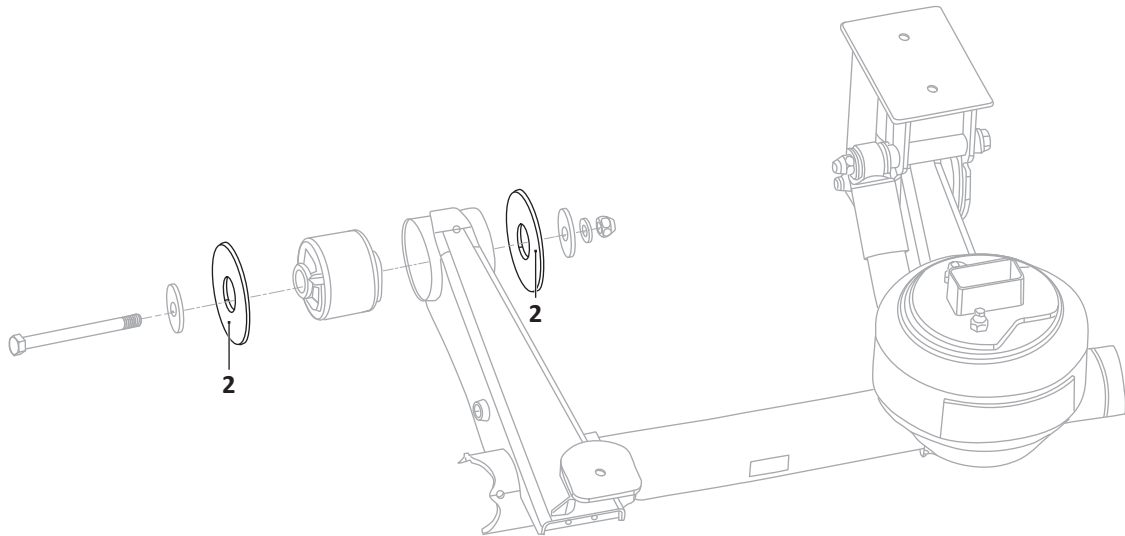
RHP/MPA Series, Trailer, Air Suspension				
KEY NO.	GAFF NO.	OEM REF.	DESCRIPTION	QTY PER TANDEM
1	GAFF50032	KIT11300	Control Arm Bushing & Bolt Kit	2
2	GAFF50033	KIT11102	Torque Arm Bushing & Bolt Kit	8
3	GAFF34514	1225-W-1349	Torque Arm Bushing	16

MTA23-30 Top Mount, MTA25-30 Low Mount, Trailer, Air Suspension

Pivot Bolt & Bushing Kit



1




2


2


MTA23-30 Top Mount, MTA25-30 Low Mount, Trailer, Air Suspension				
KEY NO.	GAFF NO.	OEM REF.	DESCRIPTION	QTY PER TANDEM
1	GAFF13599	KIT11201	Pivot Bolt & Bushing Kit	2
2	GAFF13542	21226663	Wear Washer	4


Suspension Components

Control Arm Bushing & Bolt Kit					
Model: RHP/MPA Series Suspension					
					
PART NO.	OEM REF.	OD	ID	LENGTH	NOTES
GAFF50032	KIT11300	2-3/8 in.	7/8 in.	3 in.	4 Qty. Torque Rod Bushing & 4 Qty. Bolts & 2 Qty. Pivot Washer & 4 Qty. Nut & 8 Qty. Washer & 8 Qty. Washer

Wear Washer			
Model: MTA23-30 Top Mount, MTA25-30 Low Mount			
			
PART NO.	OEM REF.	OD	ID
GAFF13542	21226663	7 in.	2-3/8 in.

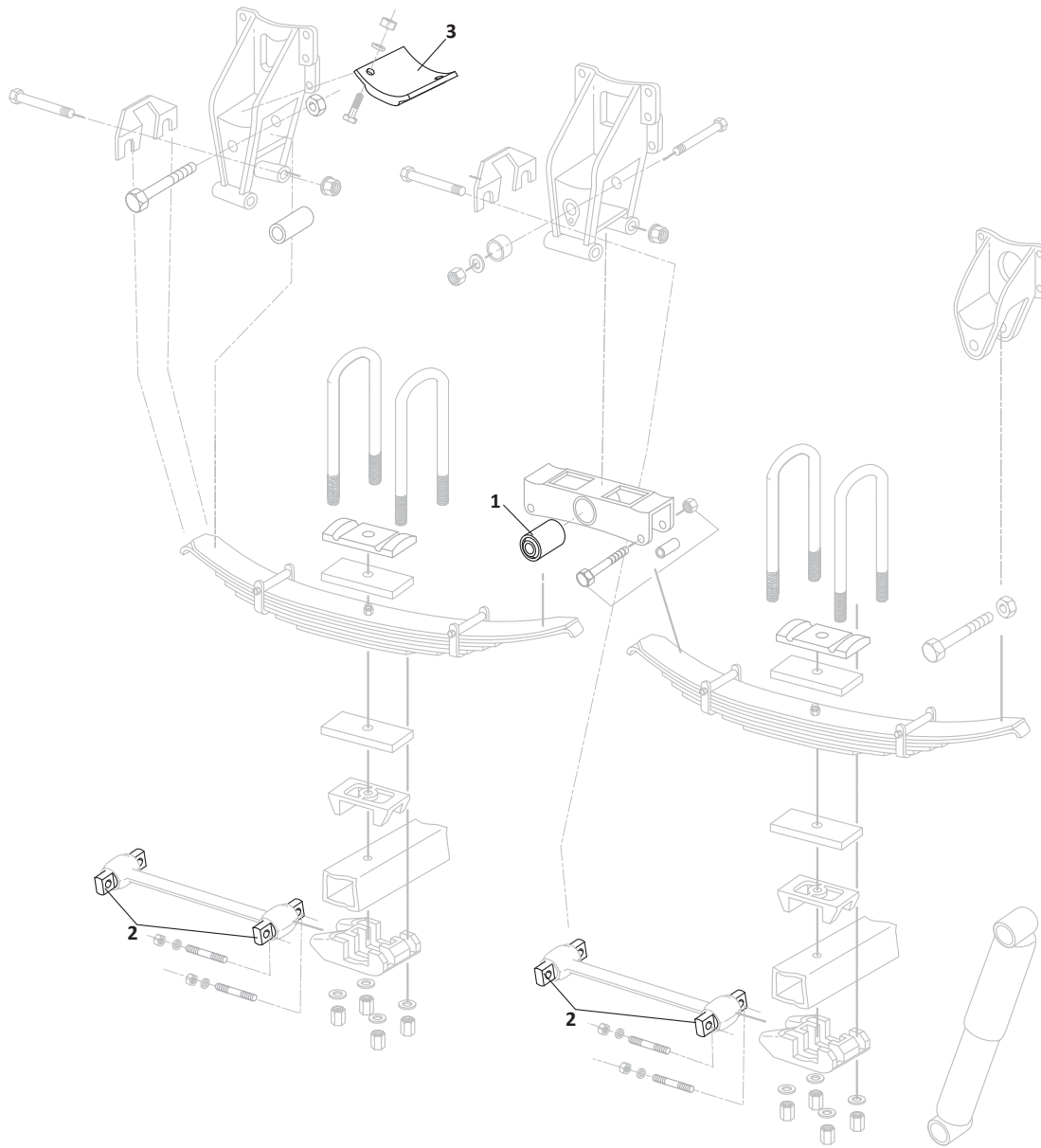
Torque Rod Bushing & Bolt Kit					
Model: RHP/MPA Series Suspension					
					
PART NO.	OEM REF.	OD	ID	LENGTH	NOTES
GAFF50033	KIT11102	3 in.	1-1/2 in.	1-7/16 in.	2 Qty. GAFF34514 Torque Rod Bushing & 1 Qty. Steel Bushing & 1 Qty. Bolt & 1 Qty. Nylon Insert Nut & 2 Qty. Washer

Torque Rod Bushing				
Model: RHP/MPA Series Suspension				
				
PART NO.	OEM REF.	OD	ID	LENGTH
GAFF34514	1225-W-1349	3 in.	1-1/2 in.	1-7/16 in.

Pivot Bolt & Bushing Kit					
Model: MTA23-30 Top Mount, MTA25-30 Low Mount					
					
PART NO.	OEM REF.	OD	ID	LENGTH	NOTES
GAFF13599	KIT11201	5-15/16 in.	1-9/16 in.	5-3/4 in.	1 Qty. Tri-Functional Bushing & 2 Qty. Tri-Functional Washers Bushing & 1 Qty. Steel Bushing & 1 Qty. Nylon Insert Nut & 1 Qty. Washer & 1 Qty. Bolt

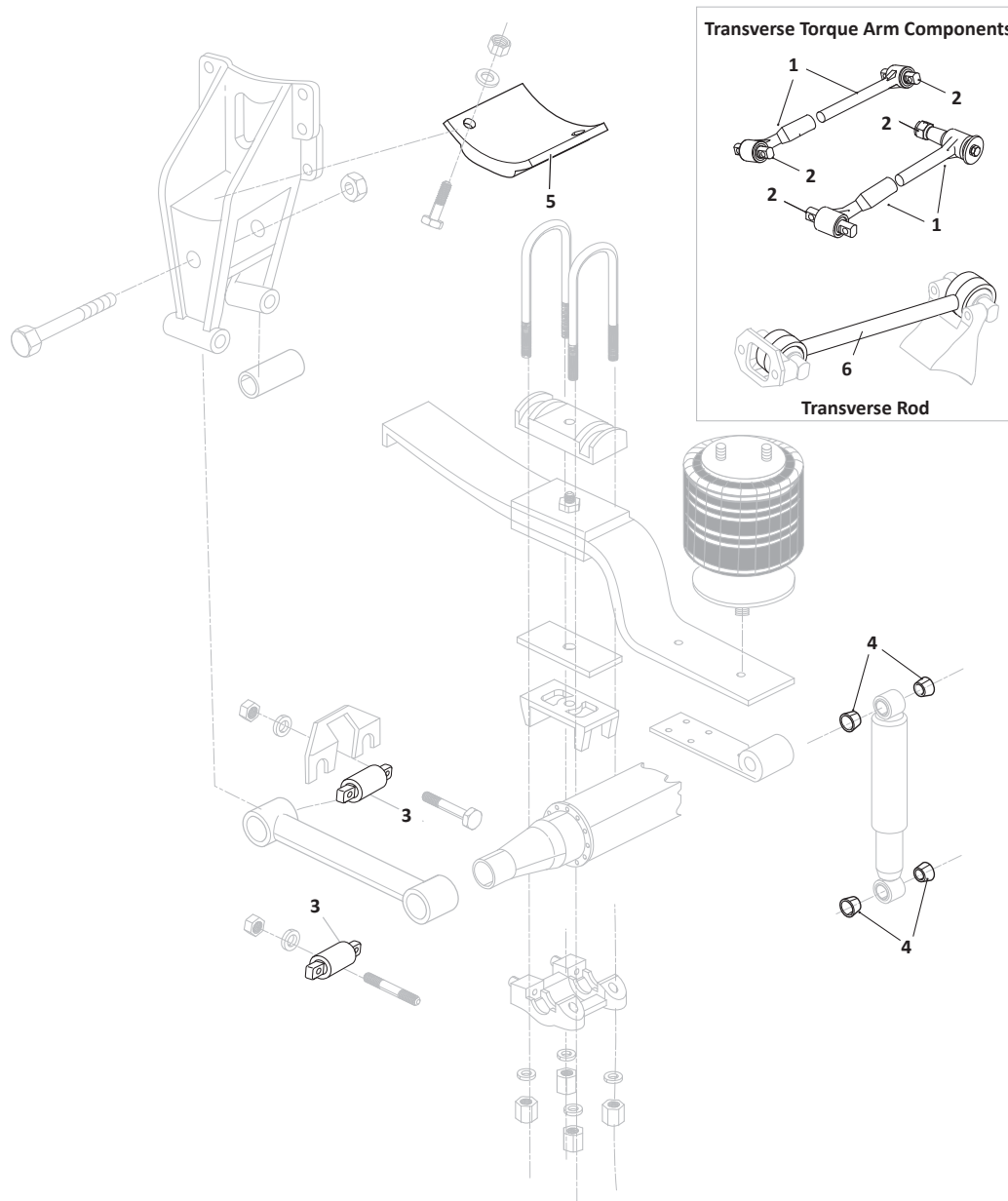
NAVISTAR / INTERNATIONAL

Four Spring



Four Spring				
KEY NO.	GAFF NO.	OEM REF.	DESCRIPTION	QTY PER TANDEM
1	GAFF13513	497501C2	Equalizer Bushing	2
2	GAFF13520	227720, 44695-000	Torque Rod Bushing, 2-3/4 in. OD	8
	GAFF83520	227720, 44695-000	Torque Rod Bushing, 2-3/4 in. OD, Easy Mount Free Rotating Bushing	8
	GAFF13522	1693060C1, 227710	Torque Rod Bushing, 2-1/2 in. OD	8
	GAFF83522	1693060C1, 227710	Torque Rod Bushing, 2-1/2 in. OD, Easy Mount Free Rotating Bushing	8
3	GAFF30544	571960C1	Wear Pad	2

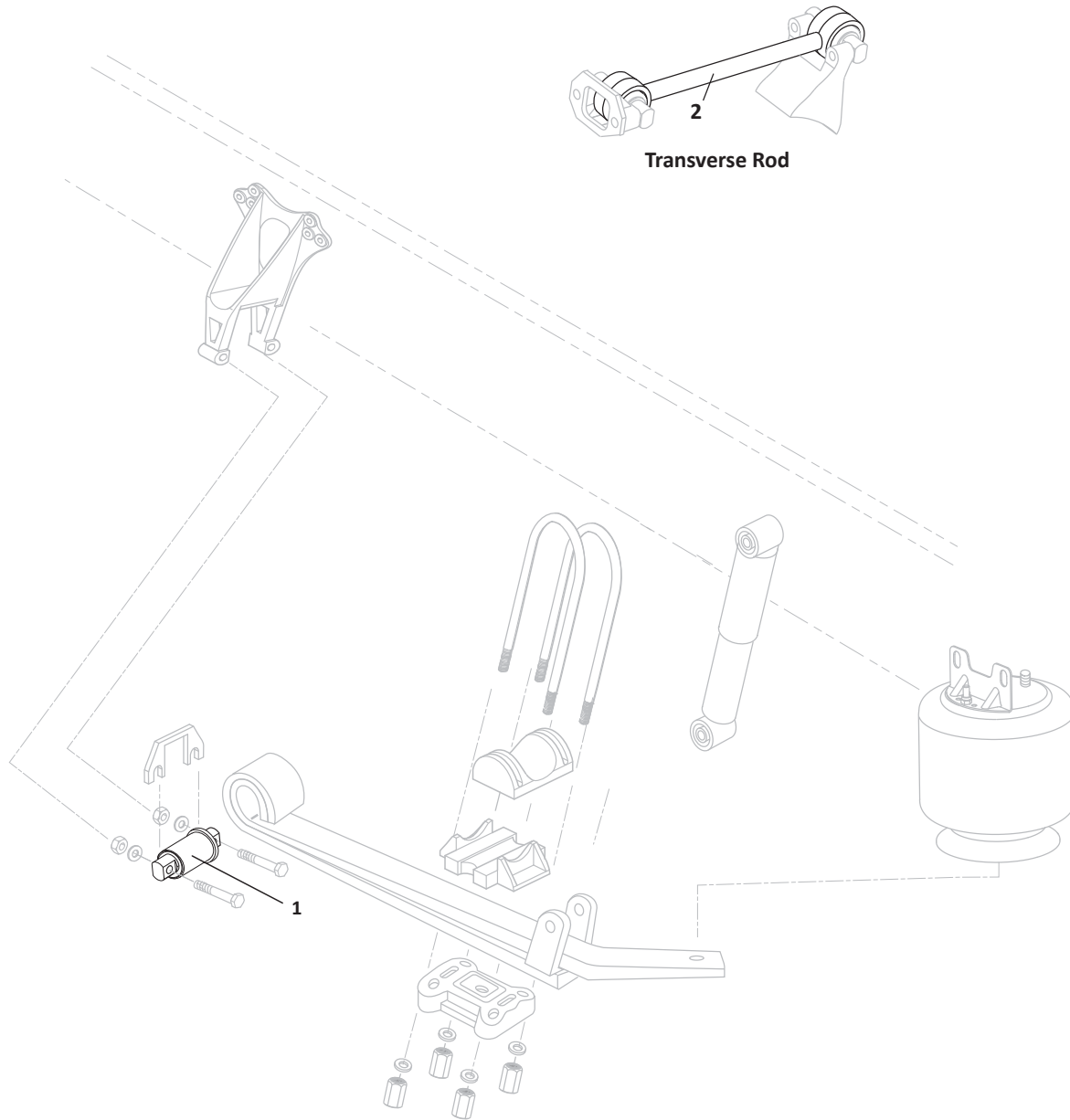
Corporate Air Ride "Z" Spring



Corporate Air Ride "Z" Spring				
KEY NO.	GAFF NO.	OEM REF.	DESCRIPTION	QTY PER TANDEM
1	GAFF13683	66610-000	Torque Rod End, Includes GAFF13520 Bushing	1
	GAFF13690	66661-000	Torque Rod End, Includes GAFF13520 Bushing	1
2	GAFF11004	47691-000	Torque Rod Bushing, Straddle Mount	As Req.
	GAFF13521	47691-000	Torque Rod Bushing, Straddle Mount	As Req.
	GAFF34534	-	Torque Rod Bushing, Tapered Stud	As Req.
3	GAFF13520	227720, 44695-000	Torque Rod Bushing, 2-3/4 in. OD	4
	GAFF83520	227720, 44695-000	Torque Rod Bushing, 2-3/4 in. OD, Easy Mount Free Rotating Bushing	4
	GAFF13522	1693060C1, 227710	Torque Rod Bushing, 2-1/2 in. OD	4
	GAFF83522	1693060C1, 227710	Torque Rod Bushing, 2-1/2 in. OD, Easy Mount Free Rotating Bushing	4
	GAFF11714	-	Torque Rod Bushing, 2-15/32 in. OD	4
4	GAFF18566	-	Shock Absorber Bushing	8
5	GAFF30544	571960C1	Wear Pad	2
6	GAFF34563	3580088C1, 3548381C1	Transverse Torque Rod	2

NAVISTAR / INTERNATIONAL

New Corporate Air Ride - "Hockey Stick" Spring



New Corporate Air Ride - "Hockey Stick" Spring				
KEY NO.	GAFF NO.	OEM REF.	DESCRIPTION	QTY PER TANDEM
1	GAFF11005	3538115C5, 353811SC1	Spring Pin Bushing	2
	GAFF11083	3538115C5	Spring Pin Bushing, Anti-Walk	2
	GAFF11084	3538115C5	Spring Pin Bushing, Anti-Walk, Oversized	2
2	GAFF34563	3580088C1, 3548381C1	Transverse Torque Arm	1

Suspension Components

Equalizer Bushing

Model:
Navistar /
International
Four Spring



PART NO.	OEM REF.	OD	ID	LENGTH
GAFF13513	497501C2	2-1/2 in.	1 in.	4-23/32 in.

Spring Pin Bushing, Anti-Walk


Model:
Navistar /
International
New Corporate
Air Ride -
“Hockey Stick”
Spring



PART NO.	OEM REF.	OD	BOLT DIA.
GAFF11083	3538115C5	2-1/2 in.	3/4 in.

Shock Absorber Bushing

Model:
Navistar /
International
Corporate Air
Ride “Z” Spring



PART NO.	OD	ID	LENGTH
GAFF18566	1-7/8 in.	1 in.	31/32 in.

Torque Rod Bushing, Straddle Mount


Model:
Navistar /
International
Corporate Air
Ride “Z” Spring



PART NO.	OEM REF.	OD	BOLT DIA.
GAFF13521	47691-000	2 in.	5/8 in.

Spring Pad


Model:
Navistar /
International
Corporate Air
Ride “Z” Spring



PART NO.	OEM REF.	HEIGHT	LENGTH	BOLT DIA.
GAFF30544	571960C7, WP55-29007	2 in.	5-9/16 in.	13/32 in.

Spring Pin Bushing, Anti-Walk Oversized OD


Model:
Navistar / In-
ternational New
Corporate Air
Ride - “Hockey
Stick” Spring



PART NO.	OEM REF.	OD	BOLT DIA.
GAFF11084	3538115C5	2-9/16 in.	3/4 in.


Spring Pin Bushing

Model:
Navistar /
International
New Corporate
Air Ride -
“Hockey Stick”
Spring




PART NO.	OEM REF.	OD	BOLT DIA.
GAFF11005	3538115C5, 353811SC1	2-1/2 in.	3/4 in.


Torque Rod Assembly





PART NO.	OEM REF.	LENGTH	BOLT DIA.	NOTES
GAFF12074	1516350C91	23-3/4 in.	11/16 in.	Includes GAFF11729 Bushings

Suspension Components

Torque Rod Assembly				
				
PART NO.	OEM REF.	LENGTH	BOLT DIA.	NOTES
GAFF34563	3548381C1, 3580088C1	25-3/8 in.	5/8 in.	Includes GAFF13521 Bushings


Torque Rod Bushing			
Model: Navistar / International Corporate Air Ride "Z" Spring			
			
PART NO.	OEM REF.	OD	BOLT DIA.
GAFF11004	47691-000, A-16-119448, 47691-000L	2 in.	5/8 in.


Torque Rod Assembly				
				
PART NO.	OEM REF.	LENGTH	BOLT DIA.	NOTES
GAFF11751	1661925C91	24 in.	5/8 in.	Includes GAFF13520 Bushings

Torque Rod Bushing, Easy Mount Free Rotating Bushing			
Model: Navistar / International 4 Spring, Navistar / International Corporate Air Ride "Z" Spring			
			
PART NO.	OEM REF.	OD	BOLT DIA.
GAFF83520	227720, 44695-000	2-1/2 in.	5/8 in.


Torque Rod Assembly				
				
PART NO.	OEM REF.	LENGTH	BOLT DIA.	NOTES
GAFF12044	1693537C1, 35801-5012	26 in.	5/8 in.	Includes GAFF13520 Bushings


Torque Rod Bushing, Easy Mount Free Rotating Bushing			
Model: Navistar / International 4 Spring, Navistar / International Corporate Air Ride "Z" Spring			
			
PART NO.	OEM REF.	OD	BOLT DIA.
GAFF83522	1693060C1, 227710	2-3/4 in.	5/8 in.


Torque Rod Assembly					
					
PART NO.	OEM REF.	LENGTH	BOLT DIA.	THD	NOTES
GAFF11080	3581270C1, K195-376	24 in.	5/8 in.	1-1/4- 12 UNF	Includes 1 Qty GAFF13520 & 1 Qty GAFF13518 Bushing


Torque Rod Bushing			
Model: Navistar / International Corporate Air Ride "Z" Spring			
			
PART NO.	OEM REF.	OD	BOLT DIA.
GAFF11714	-	2-15/32 in.	5/8 in.

Suspension Components


Torque Rod Bushing			
Model: Navistar / International Four Spring, Navistar / International Corporate Air Ride "Z" Spring			
			
PART NO.	OEM REF.	OD	BOLT DIA.
GAFF13522	1693060C1, 227710, 44694-000	2-1/2 in.	5/8 in.


Torque Rod End				
Model: Navistar / International Corporate Air Ride "Z" Spring				
				
PART NO.	OEM REF.	LENGTH	BOLT DIA.	NOTES
GAFF13690	66661-000	33-7/16 in.	5/8 in.	Includes GAFF13520 Bushings


Torque Rod Bushing, 2-3/4 in. OD				
Model: Navistar / International Four Spring, Navistar / International Corporate Air Ride "Z" Spring				
				
PART NO.	OEM REF.	OD	BOLT DIA.	NOTES
GAFF13520	227720, 44695-000	2-3/4 in.	5/8 in.	Use GAFF83520 for Easy-Mount (Free Rotating Bushing)

Torque Rod End				
				
PART NO.	OEM REF.	LENGTH	BOLT DIA.	NOTES
GAFF13686	1693533C1	8-9/16 in.	1-1/4-12 UNF	Includes GAFF13518 Bushings


Torque Rod Bushing, Tapered Stud		
Model: Navistar / International Corporate Air Ride "Z" Spring		
		
PART NO.	OEM REF.	NOTES
GAFF34534	-	1-1/4-12 UNF


Torque Rod End				
				
PART NO.	OEM REF.	LENGTH	BOLT DIA.	NOTES
GAFF13703	1693559C1	25-7/16 in.	3/4 in.	Includes GAFF13528 Bushings


Torque Rod End				
Model: Navistar / International Corporate Air Ride "Z" Spring				
				
PART NO.	OEM REF.	LENGTH	BOLT DIA.	NOTES
GAFF13683	66610-000	8-9/16 in.	5/8 in.	Includes GAFF13520 Bushings


Torque Rod End				
				
PART NO.	OEM REF.	LENGTH	BOLT DIA.	NOTES
GAFF13691	1693536C1	25-7/16 in.	5/8 in.	Includes GAFF13520 Bushings


Suspension Components


Torque Rod End			
			
PART NO.	OEM REF.	LENGTH	NOTES
GAFF13692	1691035C91	33-7/16 in.	Includes GAFF13684 Bushing

Torque Rod End					
					
PART NO.	OEM REF.	ID	LENGTH	BOLT DIA.	NOTES
GAFF13699	1693535C1	1-1/8 in.	25-7/16 in.	1-1/8 in.	Includes GAFF13516 Bushing

Torque Rod End				
				
PART NO.	OEM REF.	LENGTH	BOLT DIA.	NOTES
GAFF13694	1693542C1	33-7/16 in.	1-1/4-12 UNF	Includes GAFF13518 Bushing

Transverse Torque Arm				
Model: Navistar / International New Corporate Air Ride - "Hockey Stick" Spring				
				
PART NO.	OEM REF.	LENGTH	BOLT DIA.	NOTES
GAFF34563	3580088C1, 3548381C1	25-3/8 in.	3/4 in.	Includes GAFF13521 Bushings

Torque Rod End				
				
PART NO.	OEM REF.	LENGTH	BOLT DIA.	NOTES
GAFF13695	1693543C1	25-7/16 in.	1-1/4-12 UNF	Includes GAFF13518 Bushing

Torque Rod End				
				
PART NO.	OEM REF.	LENGTH	BOLT DIA.	NOTES
GAFF13697	1693545C1	25-7/16 in.	1-1/4-12 UNF	Includes GAFF12031 Bushing


Cab Mounts

Cab Mount



PART NO.	OEM REF.	ID	OD<	OD	LENGTH
GAFF11705	476869C1	5/8 in.	1-13/16 in.	3 in.	2-3/8 in.

Cab Mount




PART NO.	OEM REF.	OD<	ID	LENGTH
GAFF34515	3515345C1, 3515345C2	3-3/8 in.	25/32 in.	6-3/16 in.

Cab Mount



PART NO.	OEM REF.	ID	OD	LENGTH
GAFF34552	3595976C5 / 03595976C4	11/16 in.	2-7/8 in.	3-5/16 in.

Cab Mount




PART NO.	OEM REF.	ID	OD	LENGTH
GAFF34516	3574670C91, 3574671C91, 3574678C1, 3574680C1, 3589599C91, 3844147C91	1/2 in.	2-7/8 in.	3-3/8 in.

Hood Mount




PART NO.	OEM REF.	NOTES
GAFF34583	-	Hood Mount Left

Cab Mount Kit



PART NO.	OEM REF.	OD<	ID	LENGTH
GAFF34528	3512064C4, 28398-3	3-3/8 in.	5/8 in.	6-3/16 in.

Hood Mount



PART NO.	OEM REF.	NOTES
GAFF34589	-	Hood Mount Right

Hood Latches & Hood Hinges


Hood Latch	
	
PART NO.	LENGTH
GAFF10024	5-7/8 in.


Hood Hinge Bushing				
				
PART NO.	OEM REF.	ID	OD	LENGTH
GAFF34530	1668960C1	3/8 in.	1-1/2 in.	2-3/16 in.


Hood Latch Assembly		
		
PART NO.	OEM REF.	LENGTH
GAFF10506	1699929C9, 499523C3, 16899930C91	8 in.

Motor Mounts

Motor Mount			
			
PART NO.	OEM REF.	ID	OD
GAFF34507	1664730C5, 1664730C7, 2014777C2, 1664726C2	5/8 in.	3 in.


Motor Mount Kit, Front					
					
PART NO.	OEM REF.	ID	LENGTH	NOTES	
GAFF34509	1664723C1, 1664723C2, 1664723C3, 1664724C1, 1664724C2	11/16 in.	4-1/16 in.	1 Qty. GAFF34569 Motor Mount, (Upper) & 1 Qty. GAFF34593 Motor Mount, (Lower)	

Motor Mount Kit			
			
PART NO.	OEM REF.	LENGTH	NOTES
GAFF34500	1664728C1, 1664728C2	5-1/2 in.	1 Qty. GAFF34508 Motor Mount Rear & 1 Qty. GAFF34593 Motor Mount, (Lower)

Motor Mount Kit, Front				
				
PART NO.	OEM REF.	ID	LENGTH	NOTES
GAFF34510	1664729C4, BCD274772	13/16 in.	7 in.	1 Qty Upper Mount & 1 Qty Lower Mount


Motor Mounts

Motor Mount Kit, Front



PART NO.	OEM REF.	NOTES
GAFF34526	1664723C2, 1664723C3, 1664724C2	2 Qty. GAFF34569 Motor Mount (Upper) & 2 Qty. GAFF34593 Motor Mount, (Lower) & 2 Qty. 5/8-18 UNF Bolts & 2 Qty. Nut & 2 Qty. Washer

Motor Mount, Front



PART NO.	OEM REF.	ID	OD	OD<	LENGTH
GAFF10503	470031C2, 470031, EE14003053	5/8 in.	2-13/16 in.	1-1/12 in.	2-3/8 in.

Motor Mount Kit, Rear




PART NO.	OEM REF.	NOTES
GAFF34524	1664728C1, 1664728C2	2 Qty. GAFF34508 Motor Mount (Upper) & 2 Qty. GAFF34593 Motor Mount, (Lower) & 2 Qty. 5/8-18 UNF Bolts & 2 Qty. Nut & 2 Qty. Washer

Motor Mount, Rear



PART NO.	OEM REF.	ID	OD	LENGTH
GAFF10075	507569C91, 503579C1, 503837C1, 470031, EE14003053	1-1/2 in.	3 in.	3 in.

Motor Mount Kit, Rear



PART NO.	OEM REF.	NOTES
GAFF34525	1664729C1, 1664730C5	2 Qty. GAFF34510 Motor Mount Kit & 2 Qty. 3/4-16 UNF Bolts & 2 Qty. Nylon Insert Nut & 4 Qty. Washer


Motor Mount, Rear



PART NO.	OEM REF.	ID	OD	OD<	LENGTH
GAFF10505	479237C1, 583955C1, 14003030, 14003052	5/8 in.	3-1/16 in.	1-5/8 in.	2-5/8 in.

Radiator & Air Cooler Mounts

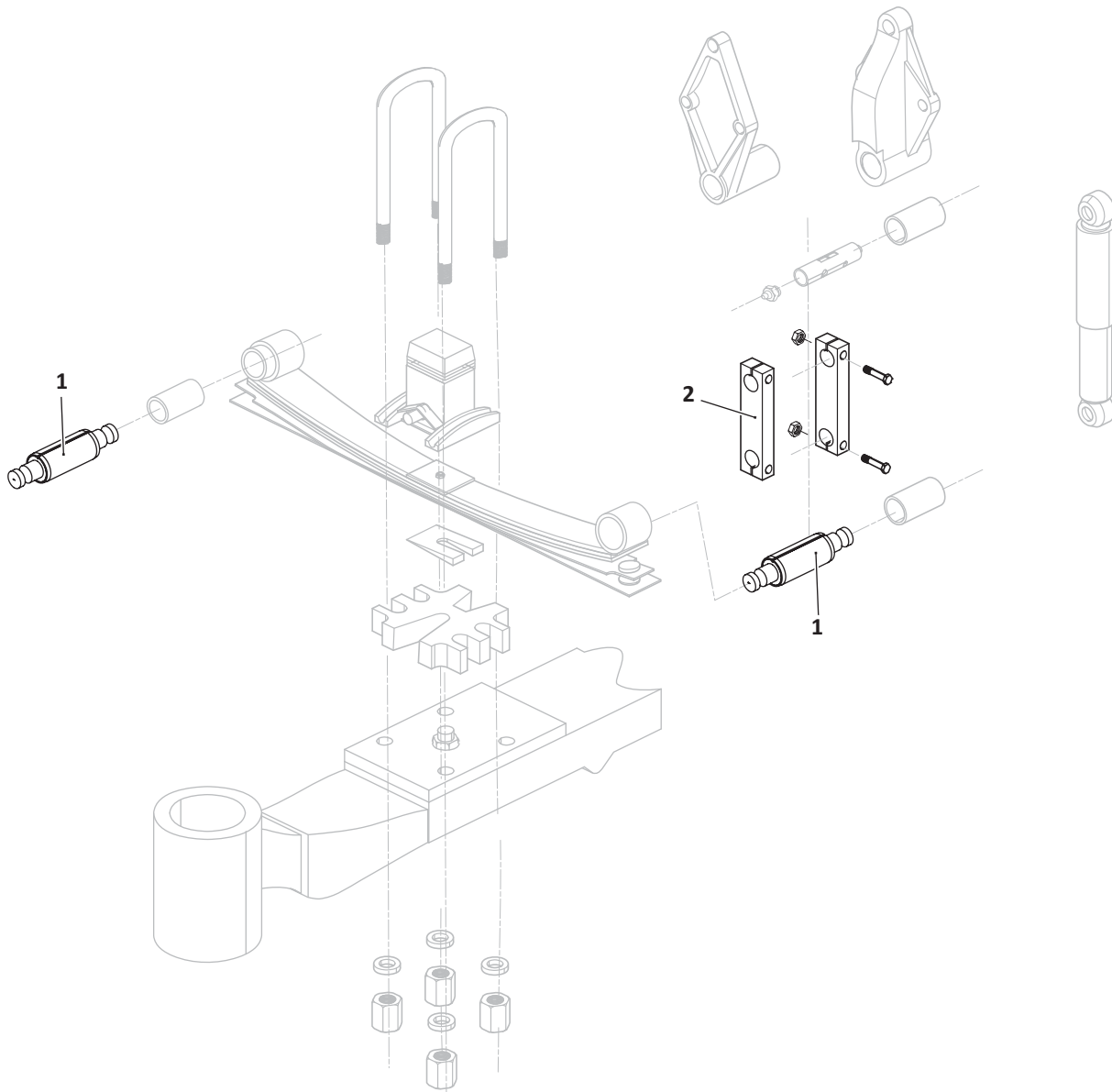
Radiator Mount



PART NO.	ID	OD	LENGTH
GAFF34545	1/2 in.	2-1/16 in.	1-1/8 in.

PETERBILT

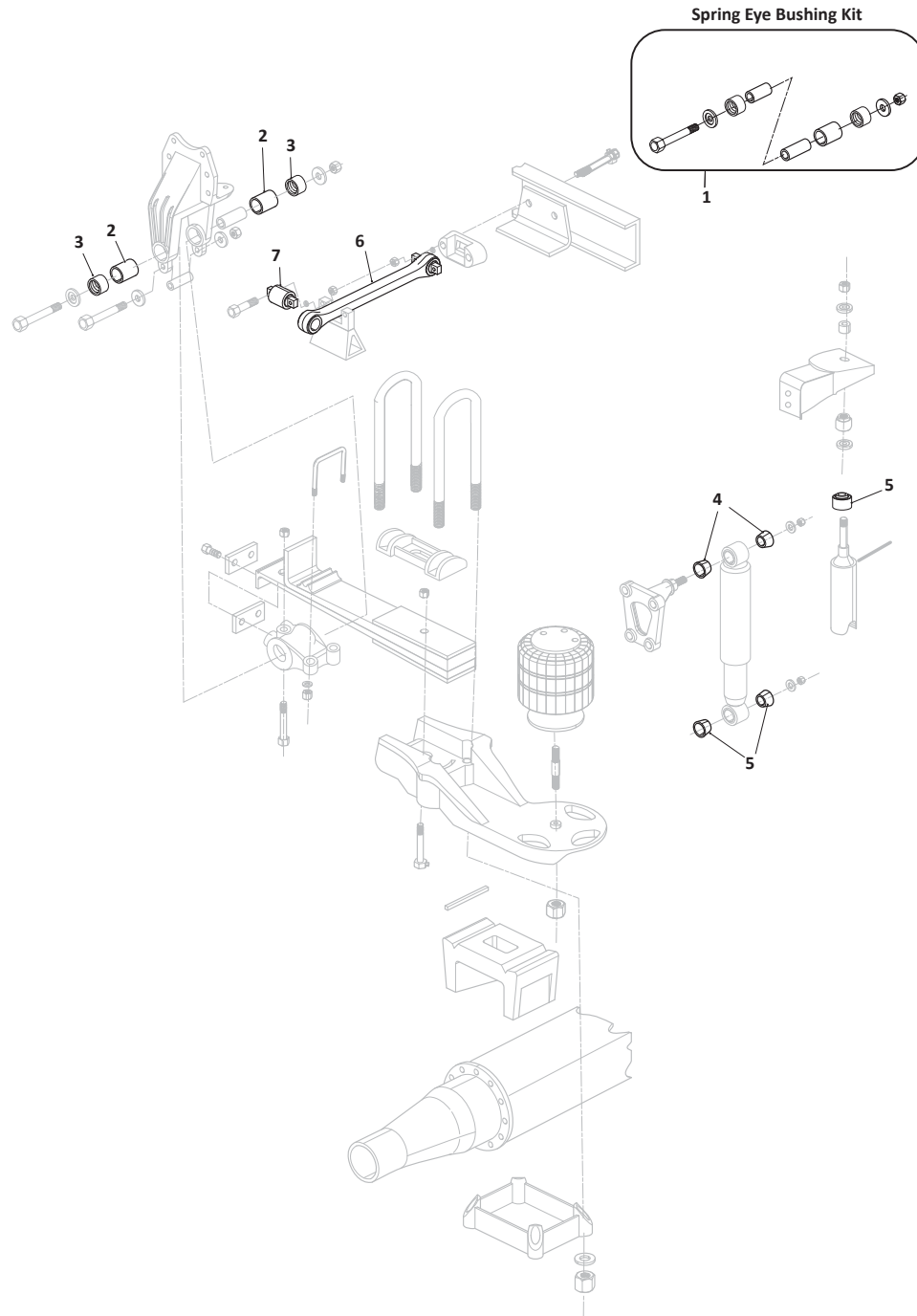
Cab Over and Conventional 4 in. Wide Spring



Cab Over and Conventional 4 in. Wide Spring

KEY NO.	GAFF NO.	OEM REF.	DESCRIPTION	QTY PER TANDEM
1	GAFF11753	B65-1006	Spring Pin Bushing	6
	GAFF11763	B65-1007, B65-1012	Spring Pin Bushing	6
2	GAFF11759	-	Spring Pin Shackle	4

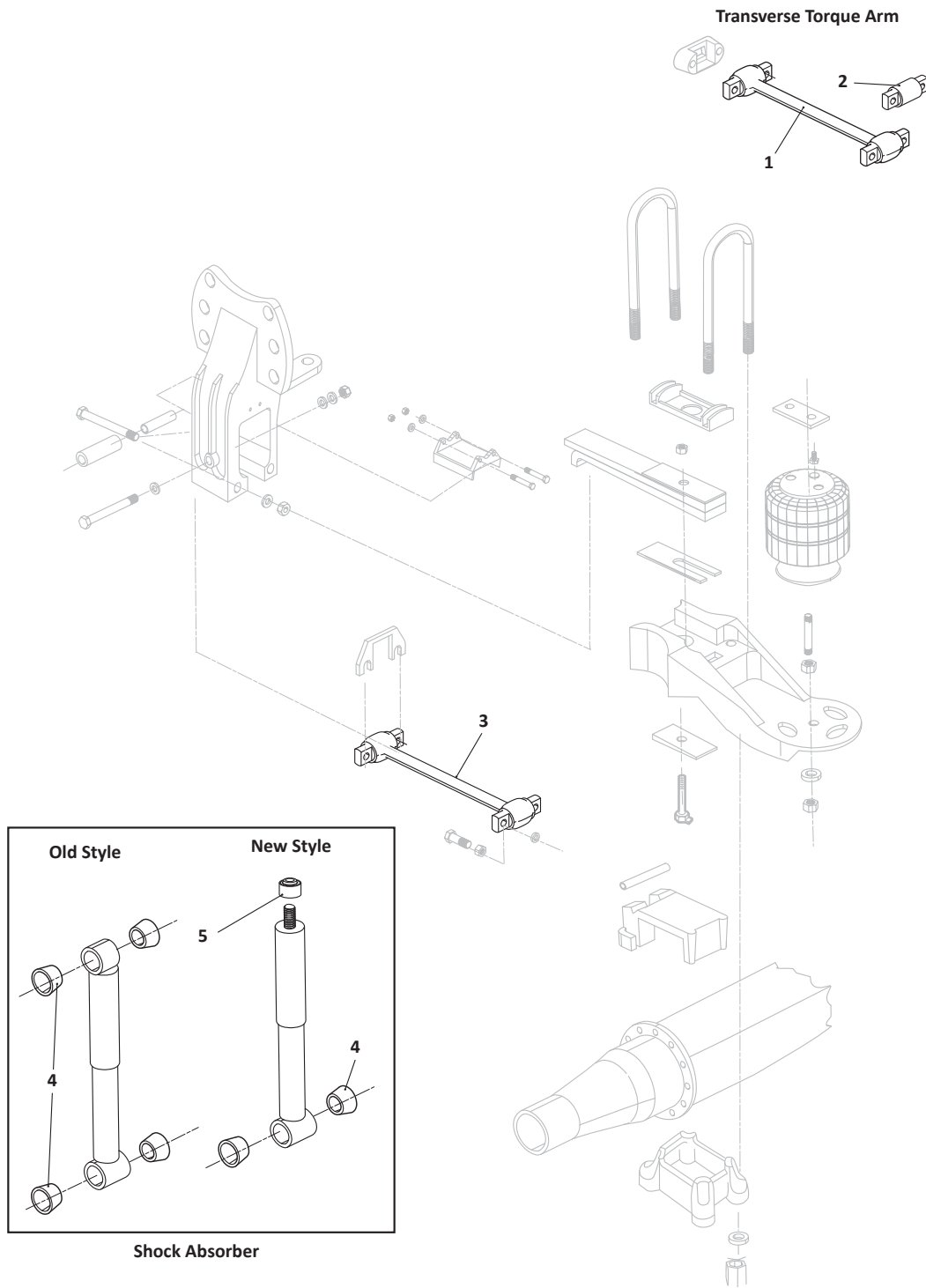
Air Leaf



Air Leaf				
KEY NO.	GAFF NO.	OEM REF.	DESCRIPTION	QTY PER TANDEM
1	GAFF12361	03AL1	Spring Eye Bushing Kit	2
2	GAFF12350	03-01674	Spring Eye Bushing	4
3	GAFF12351	03-01675	Spring Hanger Spacer Washer	4
4	GAFF18566	-	Shock Bushing	As Required
5	GAFF11550	-	Shock Bushing	As Required
6	GAFF34554	03-04059	Torque Rod Assembly	2
7	GAFF13522	227710	Torque Rod Bushing	4
	GAFF83522	227710	Torque Rod Bushing, Easy Mount Free Rotating	4

PETERBILT

Air Trac

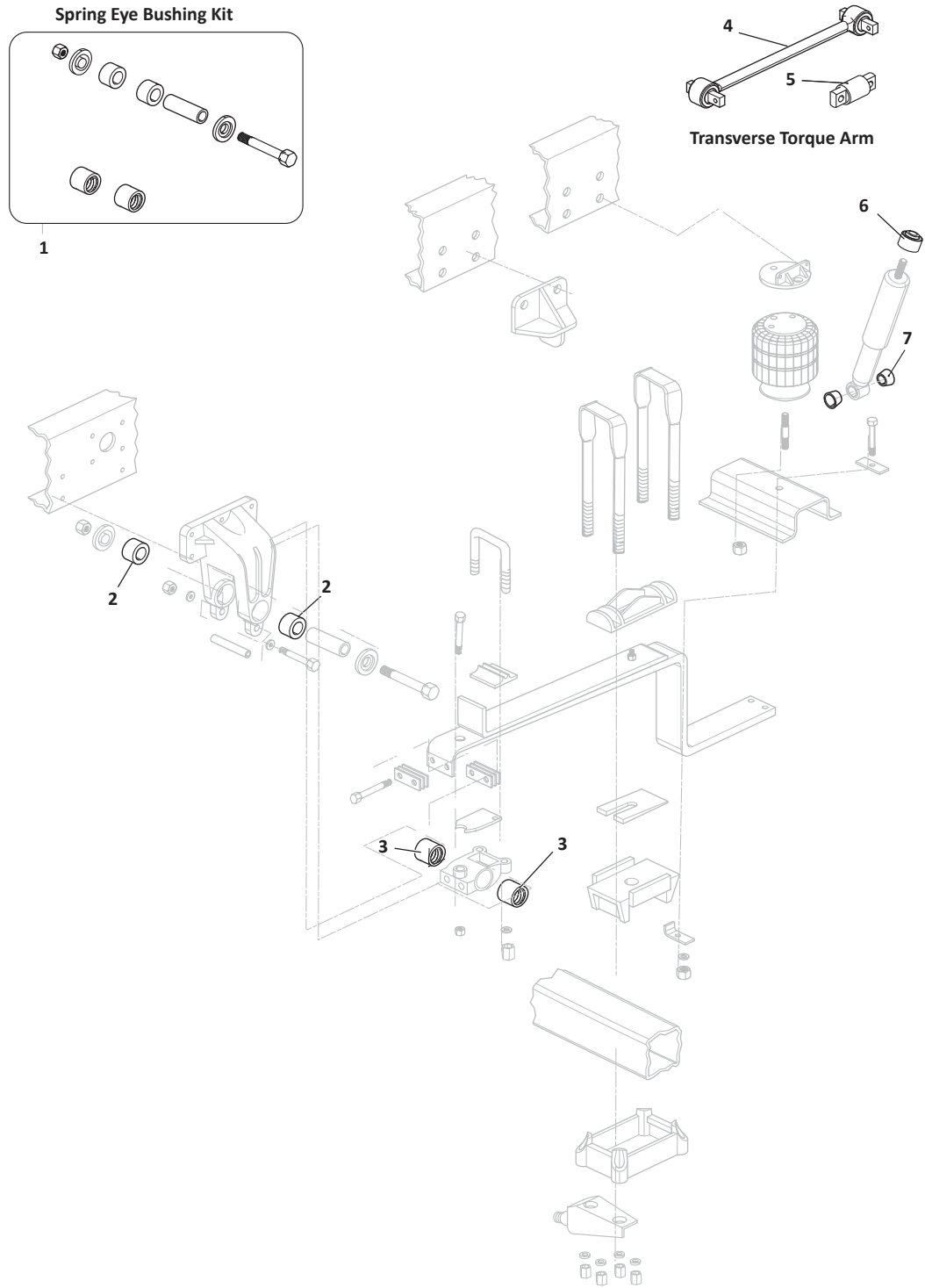


Air Trac				
KEY NO.	GAFF NO.	OEM REF.	DESCRIPTION	QTY PER TANDEM
1	GAFF34554	03-04059	Torque Rod Assembly	2
2	GAFF13522	227710	Torque Rod Bushing	4
	GAFF83522	227710	Torque Rod Bushing, Easy Mount Free Rotating	2
3	GAFF12395	03-04327	Torque Rod Assembly	2
4	GAFF18566	-	Shock Bushing	As Required
5	GAFF11550	-	Shock Bushing	As Required

PETERBILT

Low Mount Air Leaf

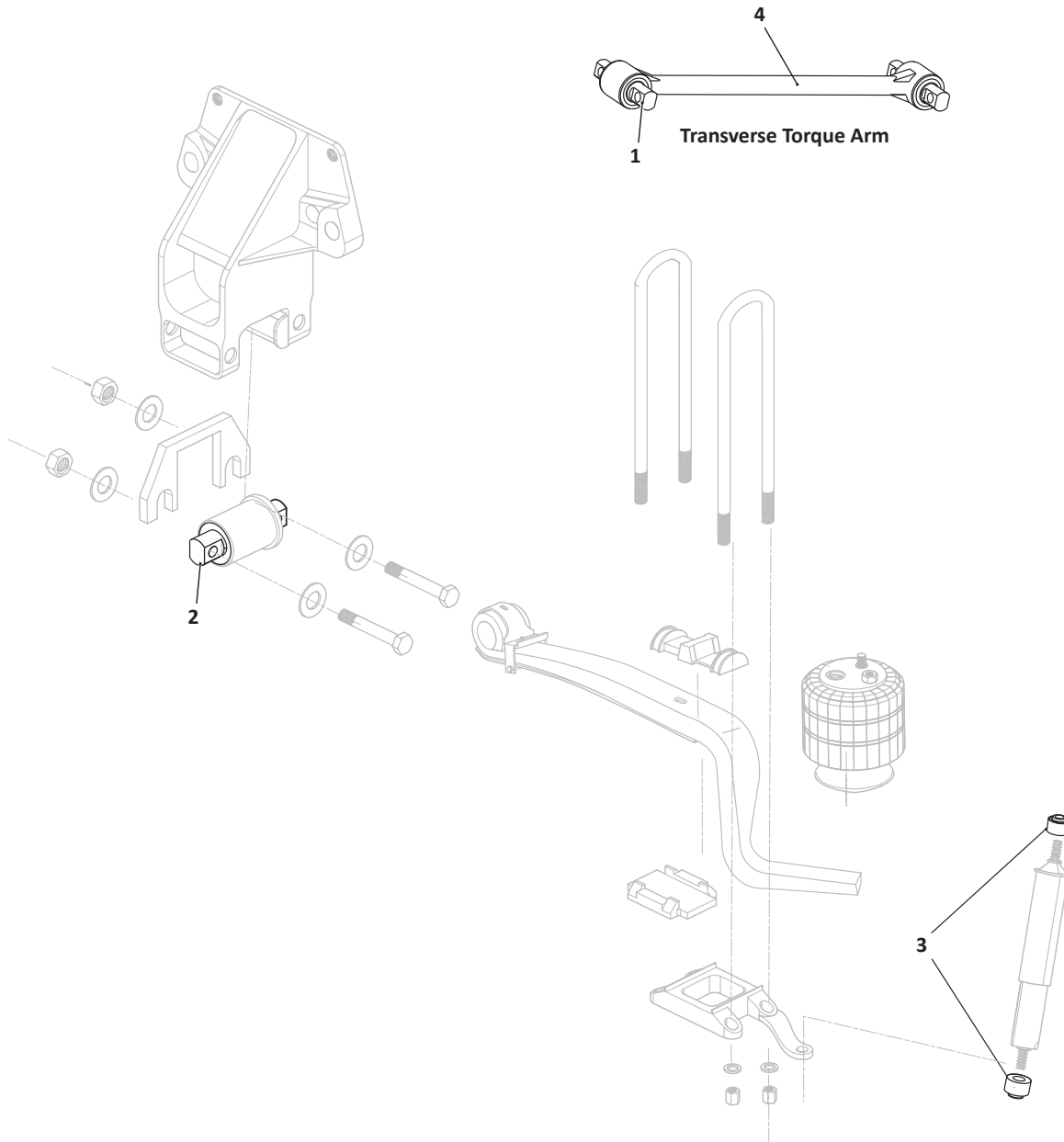
GAFF® Polyurethane Components



Low Mount Air Leaf				
KEY NO.	GAFF NO.	OEM REF.	DESCRIPTION	QTY PER TANDEM
1	GAFF12362	03-AL2	Spring Eye Bushing Kit	2
2	GAFF12351	03-01675	Spring Hanger Spacer Washer	4
3	GAFF12354	03-05101	Spring Eye Bushing	4
4	GAFF12398	03-05198	Torque Rod Assembly	2
5	GAFF13522	227710	Torque Rod Bushing	4
	GAFF83522	227710	Torque Rod Bushing, Easy Mount Free Rotating	2
6	GAFF11550	-	Shock Bushing	4
7	GAFF18566	-	Shock Bushing	4

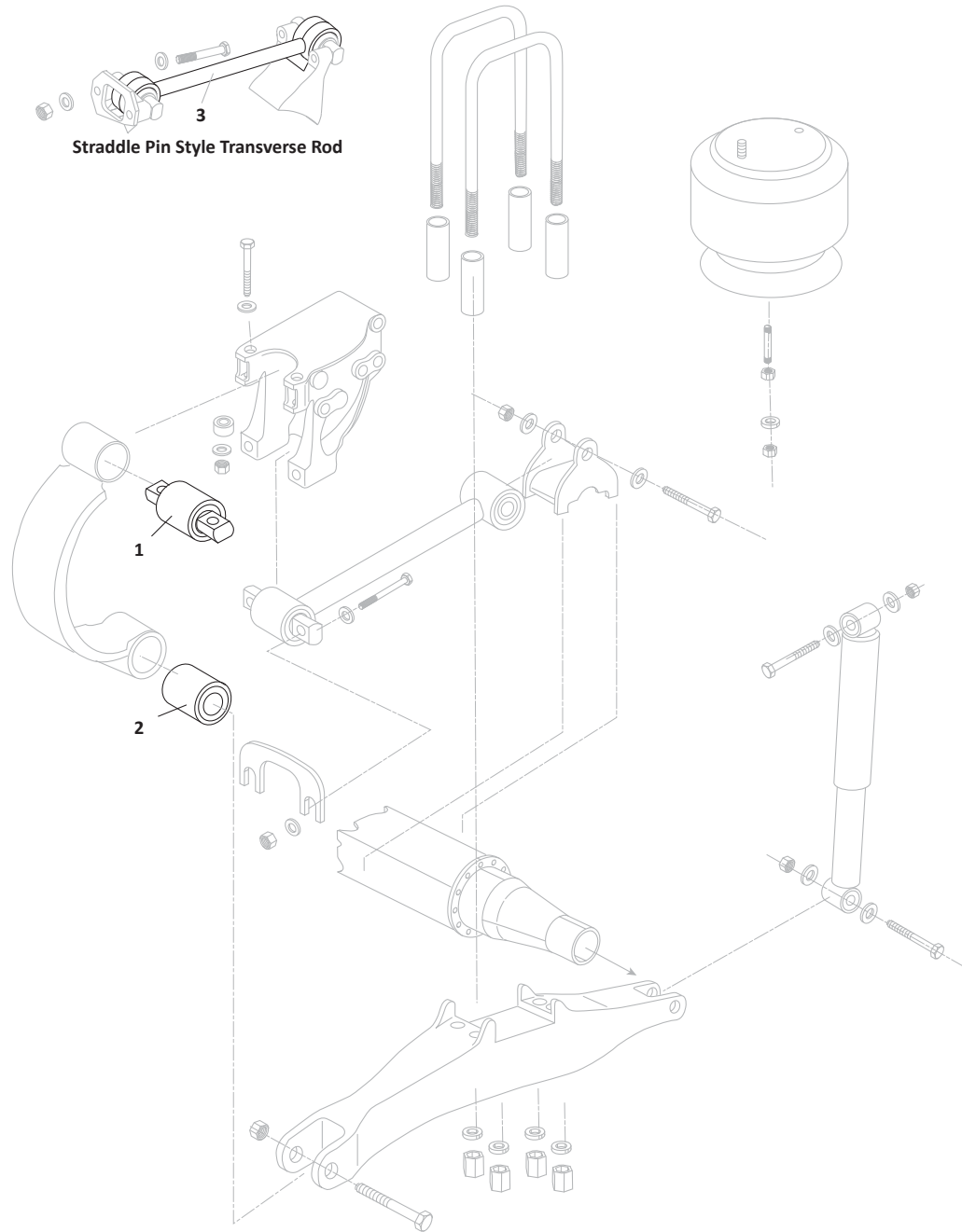
PETERBILT

Airglide 210



Airglide 210				
KEY NO.	GAFF NO.	OEM REF.	DESCRIPTION	QTY PER TANDEM
1	GAFF11792	-	Torque Rod Assembly	2
2	GAFF11083	-	Spring Pin Bushing	2
	GAFF11084	-	Spring Pin Bushing, Anti-Walk Oversized OD	2
3	GAFF11550	-	Shock Bushing	4


Flex Air




Flex Air				
KEY NO.	GAFF NO.	OEM REF.	DESCRIPTION	QTY PER TANDEM
1	GAFF11765	C13-6001	Torque Rod Bushing	2
2	GAFF11764	C65-1002	Spring Eye Hollow Bushing	2
3	GAFF11792	C65-6009, C65-6002	Torque Arm	2
	GAFF12397	C65-6011-001	Torque Rod, 23-3/4 in. Center-to-Center, 1 Straddle Bushing & 1 Hollow Bushing	2
	GAFF11795	C65-6011-001	Torque Rod, 23-11/16 in. Center-to-Center, 1 Straddle Bushing & 1 Hollow Bushing	2


PETERBILT

Suspension Components

Shock Bushing			
Model: Peterbilt Air Leaf, Peterbilt Air Trac, Peterbilt Low Mount Air Leaf			
			
PART NO.	OD	ID	LENGTH
GAFF18566	1-7/8 in.	1 in.	31/32 in.

Spring Eye Bushing Kit			
Model: Peterbilt Air Leaf			
			
PART NO.	OEM REF.	LENGTH	NOTES
GAFF12361	03AL1	8-1/2 in.	2 Qty. GAFF12350 Bushing & 2 Qty. GAFF12351 Beam End Washer & 1 Qty. Bolt & 1 Qty. Nut & 2 Qty. Washers

Shock Bushing				
Model: Peterbilt Air Leaf, Peterbilt Air Trac, Peterbilt Low Mount Air Leaf				
				
PART NO.	OEM REF.	OD	ID	LENGTH
GAFF11550	K066-266 / COM368-6	2 in.	5/8 in.	1 in.

Spring Eye Bushing Kit			
Model: Peterbilt Low Mount Air Leaf			
			
PART NO.	OEM REF.	LENGTH	NOTES
GAFF12362	03-AL2	8 in.	2 Qty. GAFF12354 Bushing & 2 Qty. GAFF12351 Beam End Washer & 1 Qty. Bolt & 1 Qty. Nut & 2 Qty. Washers

Spring Eye Bushing				
Model: Peterbilt Air Leaf				
				
PART NO.	OEM REF.	OD	ID	LENGTH
GAFF12350	03-01674	2-1/2 in.	1-3/4 in.	2-5/8 in.

Spring Eye Hollow Bushing				
Model: Peterbilt Flex Air				
				
PART NO.	OEM REF.	OD	ID	LENGTH
GAFF11764	C65-1002, K221-5086	2-3/8 in.	7/8 in.	2-19/32 in.

Spring Eye Bushing				
Model: Peterbilt Low Mount Air Leaf				
				
PART NO.	OEM REF.	OD	ID	LENGTH
GAFF12354	03-05101	2-1/2 in.	1-3/4 in.	2-3/8 in.


Spring Hanger Spacer Washer				
Model: Peterbilt Air Leaf, Peterbilt Low Mount Air Leaf				
				
PART NO.	OEM REF.	OD	ID	LENGTH
GAFF12351	03-01675	2-5/8 in.	1-3/4 in.	15/16 in.

PETERBILT

Suspension Components

GAFF® Polyurethane Components


Spring Pin Bushing



PART NO.	OEM REF.	LENGTH	OD
GAFF11753	B65-1006	6-5/16 in.	1-3/4 in.


Torque Rod Assembly

Model:
Peterbilt Air Leaf, Peterbilt Air Trac



PART NO.	OEM REF.	LENGTH	BOLT DIA.
GAFF34554	03-04059	22-7/8 in.	5/8 in.


Spring Pin Bushing



PART NO.	OEM REF.	OD	NOTES
GAFF11763	B65-1007, B65-1012	2-1/8 in.	6-5/16 in. Center-to-Center of Notches

Torque Rod Assembly


Model:
Peterbilt Air Trac



PART NO.	OEM REF.	LENGTH	BOLT DIA.
GAFF12395	03-04327	17-5/16 in.	Hanger End: 5/8 in., Axle End: 3/4 in

Spring Pin Bushing


Model:
Peterbilt Airglide 210



PART NO.	OEM REF.	OD
GAFF11083	-	2-1/2 in.

Torque Rod Assembly


Model:
Peterbilt Low Mount Air Leaf



PART NO.	OEM REF.	LENGTH	BOLT DIA.
GAFF12398	03-05198	25-9/16 in.	5/8 in.

Spring Pin Bushing, Anti-Walk Oversized OD


Model:
Peterbilt Airglide 210



PART NO.	OEM REF.	OD	BOLT DIA.
GAFF11084	-	2-3/4 in.	3/4 in.

Torque Rod Assembly


Model:
Peterbilt Airglide 210, Peterbilt Flex Air





PART NO.	OEM REF.	LENGTH	BOLT DIA.
GAFF11792	C65-6009, C65-600	25-9/16 in.	5/8 in.


PETERBILT


Suspension Components

Torque Rod Assembly				
Model: Peterbilt Flex Air				
				
PART NO.	OEM REF.	LENGTH	BOLT DIA.	NOTES
GAFF11795	C65-6000-002, C65-6011-002	24-11/16 in.	5/8 in.	Includes 1 Qty GAFF13521 & 1 Qty GAFF14010 Bushings

Torque Rod Bushing				
Model: Peterbilt Air Leaf, Peterbilt Air Trac, Peterbilt Low Mount Air Leaf				
				
PART NO.	OEM REF.	OD	BOLT DIA.	NOTES
GAFF83522	227710 44694-000, 35033-3201	2-1/2 in.	5/8 in.	Easy-Mount version of GAFF13522

Torque Rod Assembly				
Model: Peterbilt Flex Air				
				
PART NO.	OEM REF.	LENGTH	BOLT DIA.	NOTES
GAFF12397	C65-6000-001, C65-6011-001	23-3/4 in.	5/8 in.	Includes 1 Qty GAFF13521 & 1 Qty GAFF14091 Bushings

Torque Rod Bushing				
Model: Peterbilt Flex Air				
				
PART NO.	OEM REF.	LENGTH C-TO-C	OD	BOLT DIA.
GAFF11765	C13-6001	4-13/32 in.	2-3/8 in.	5/8 in.

Torque Rod Bushing				
Model: Peterbilt Air Leaf, Peterbilt Air Trac, Peterbilt Low Mount Air Leaf				
				
PART NO.	OEM REF.	OD	BOLT DIA.	NOTES
GAFF13522	227710 44694-000	2-1/2 in.	5/8 in.	Use GAFF83522 for Easy-Mount (Free Rotating Bushing)

Cab Mounts

Cab Mount					
					
PART NO.	OEM REF.	ID	OD	OD<	LENGTH
GAFF11705	05-14794	5/8 in.	3 in.	1-13/16 in.	2-3/8 in.

Cab Mount					
					
PART NO.	OEM REF.	ID	OD	OD<	LENGTH
GAFF11707	05-08968	5/8 in.	2-1/2 in.	1-5/8 in.	2 in.

Hood Latches & Hood Hinges

Hood Hinge Bushing					
					
PART NO.	OEM REF.	ID	OD	OD<	LENGTH
GAFF11709	M300-70NR	1/2 in.	1-3/4 in.	1-3/16 in.	1-3/8 in.

Hood Hinge Bushing				
				
PART NO.	OEM REF.	ID	OD	LENGTH
GAFF12363	13-03593 13-04588	5/8 in.	1-1/2 in.	1-1/2 in.

Hood Mount				
				
PART NO.	OEM REF.	ID	LENGTH	HEIGHT
GAFF12410	-	1/2 in.	2-1/4 in.	5/8 in.

Hood Hinge Bushing					
					
PART NO.	OEM REF.	ID	OD<	LENGTH	OD
GAFF12370	13-04154	1/2 in.	1-3/16 in.	5/8 in.	1-13/16 in.


Hood Mount Kit		
		
PART NO.	OEM REF.	NOTES
GAFF12414	-	1 Qty. GAFF12410 Hood Hinge Bushing & 3 Qty. GAFF12370 Hood Mount


Hood Latch		
		
PART NO.	OEM REF.	LENGTH
GAFF12365	23-13857 L56-0001	8-7/8 in.


Hood Hinge Bushing				
				
PART NO.	OEM REF.	ID	OD	LENGTH
GAFF12367	13-03440 13-04588	1/2 in.	1-5/16 in.	2 in.

Hood Latch Assembly			
			
PART NO.	OEM REF.	LENGTH	NOTES
GAFF11103	37-41-295-80	8-11/16 in.	Includes bracket & GAFF12365 Latch

Hood Latches & Hood Hinges

Hood Latch Assembly		
		
PART NO.	OEM REF.	NOTES
GAFF11851	L56-0001, 23-13857, L03-0001	Included 1 Qty. GAFF11097 Hood hook, 1 Qty. GAFF11134 Latch, includes metal bracket

Hood Mount				
				
PART NO.	OEM REF.	LENGTH	HEIGHT	WIDTH
GAFF12364	13-04711, 13-03510	3-1/8 in.	2 in.	2-3/8 in.


Hood Mount				
				
PART NO.	OEM REF.	LENGTH	HEIGHT	WIDTH
GAFF12359	13-03510, 13-04711	3-1/8 in.	2-3/8 in.	1-15/16 in.


Motor Mounts


Motor Mount					
					
PART NO.	OEM REF.	ID	OD	OD<	LENGTH
GAFF12355	05-08968	5/8 in.	2-1/2 in.	1-5/8 in.	2 in.

Motor Mount				
				
PART NO.	OEM REF.	ID	OD	LENGTH
GAFF12369	CB2203-72	5/8 in.	2-17/32 in.	2-3/8 in.


Motor Mount					
					
PART NO.	OEM REF.	ID	OD	OD<	LENGTH
GAFF12356	05-10197	13/16 in.	2-11/16 in.	1-9/16 in.	2-7/16 in.

Motor Mount					
					
PART NO.	OEM REF.	ID	OD	OD<	LENGTH
GAFF18786	05-18263, CB2203-2	15/16 in.	3-7/16 in.	1-15/32 in.	2-7/8 in.

Motor Mount						
						
PART NO.	OEM REF.	ID	OD	OD<	LENGTH	NOTES
GAFF12360	20-08257, 20-08867	5/8 in.	3-1/8 in.	1-13/16 in.	2-3/4 in.	Includes mounts and spacer


Motor Mount, Front						
						
PART NO.	OEM REF.	ID	OD	OD<	LENGTH	NOTES
GAFF11613	05-08969, 05-10103, 05-16401	3/4 in.	3-13/16 in.	2-1/6 in.	2-9/16 in.	With Metal Sleeve

Motor Mount				
				
PART NO.	OEM REF.	ID	OD	LENGTH
GAFF12368	CB2203-70, CB2203-77, CB2203-78	3/4 in.	2-17/32 in.	2-3/8 in.

Motor Mount, Front					
					
PART NO.	OEM REF.	ID	OD	OD<	LENGTH
GAFF18102	05-16919	3/4 in.	3-5/8 in.	2-3/16 in.	2-7/16 in.


Radiator, Air Cooler Mounts & Exhaust Mounts

Air Cooler Mount




PART NO.	OEM REF.	ID	OD	OD<	LENGTH
GAFF11554	13-01633	3/8 in.	1-1/8 in.	3/4 in.	7/8 in.

Radiator Bushing



PART NO.	OEM REF.	ID	OD	OD<	LENGTH
GAFF12366	07-02552	5/8 in.	1-3/16 in.	1 in.	23/32 in.

Exhaust Bushing



PART NO.	OEM REF.	ID	OD	LENGTH
GAFF17284	M13-1011	15/32 in.	1-15/16 in.	1-3/16 in.

Exhaust Bushing




PART NO.	OEM REF.	ID	LENGTH C-TO-C	WIDTH	NOTES
GAFF11809	M13-1009	15/32 in.	2-3/4 in.	2 in.	3/8 in. Bolt Holes

Exhaust Bushing Kit



PART NO.	OEM REF.	ID	OD	LENGTH	NOTES
GAFF12381	14-14656, PB-14656U	3/8 in.	1-5/16 in.	1-1/4 in.	Includes 8 Qty. GAFF12357

Exhaust Bushing Kit




PART NO.	OEM REF.	OD	LENGTH	NOTES
GAFF11810	13-6001	1-25/32 in.	7-29/32 in.	2 Qty. GAFF11812 Bushing & 1 Qty. Pin & 1 Qty. Washers & 2 Qty. E-Clips

Exhaust Mount




PART NO.	OEM REF.	ID	OD	LENGTH
GAFF12357	14-14656, PB-14656U	3/8 in.	1-5/16 in.	1-1/4 in.

Exhaust Bushing Kit



PART NO.	OEM REF.	NOTES
GAFF11811	M13-6001, M13-1009, CB-2203-73	1 Qty. GAFF11809 Exhaust Mount & 1 Qty. GAFF11810 Exhaust Mount

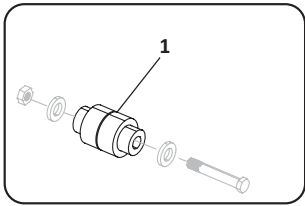
Radiator, Air Cooler Mounts & Exhaust Mounts

Exhaust Bushing Kit			
			
PART NO.	ID	OD	OD<
GAFF11812	7/16 in.	1-3/4 in.	3/4 in.

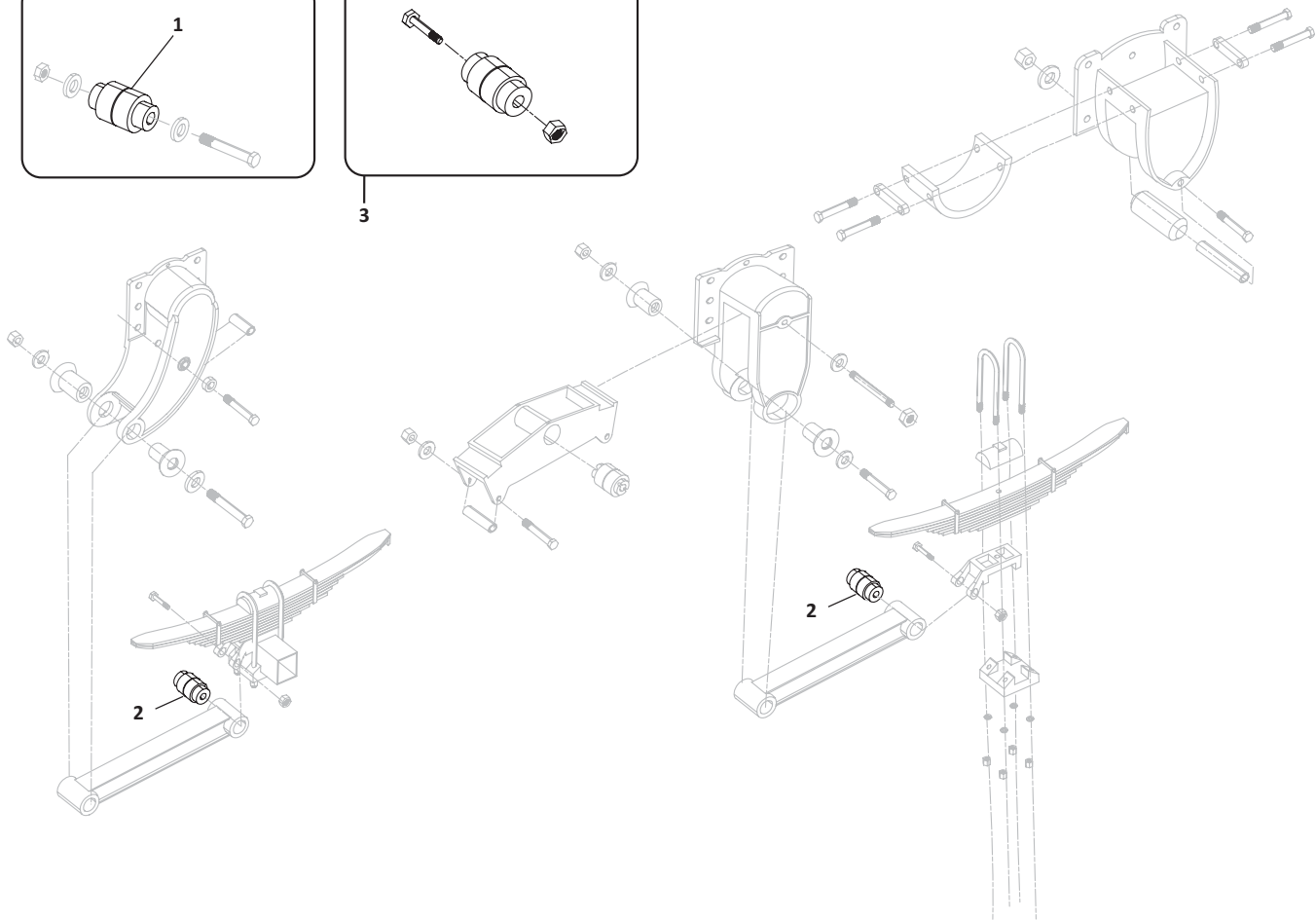
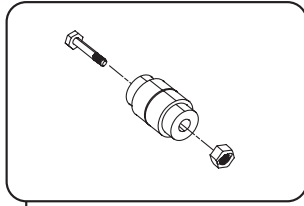
REYCO GRANNING

101A Four Spring Suspension

Ford/GM/Volvo Bushing Assembly



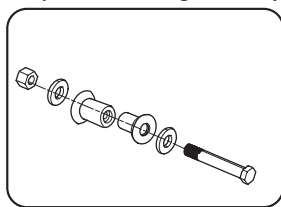
Torque Rod Bushing Kit



101A Four Spring Suspension				
KEY NO.	GAFF NO.	OEM REF.	DESCRIPTION	QTY PER TANDEM
1	GAFF15001	08915-01	Equalizer Bushing, No Slots	2
2	GAFF15013	09729-01	Torque Rod Bushing	4
3	GAFF15063	-	Torque Rod Bushing Kit	2

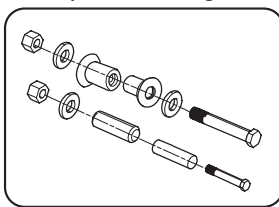
102 Four Spring Suspension

Torque Arm Bushing Assembly

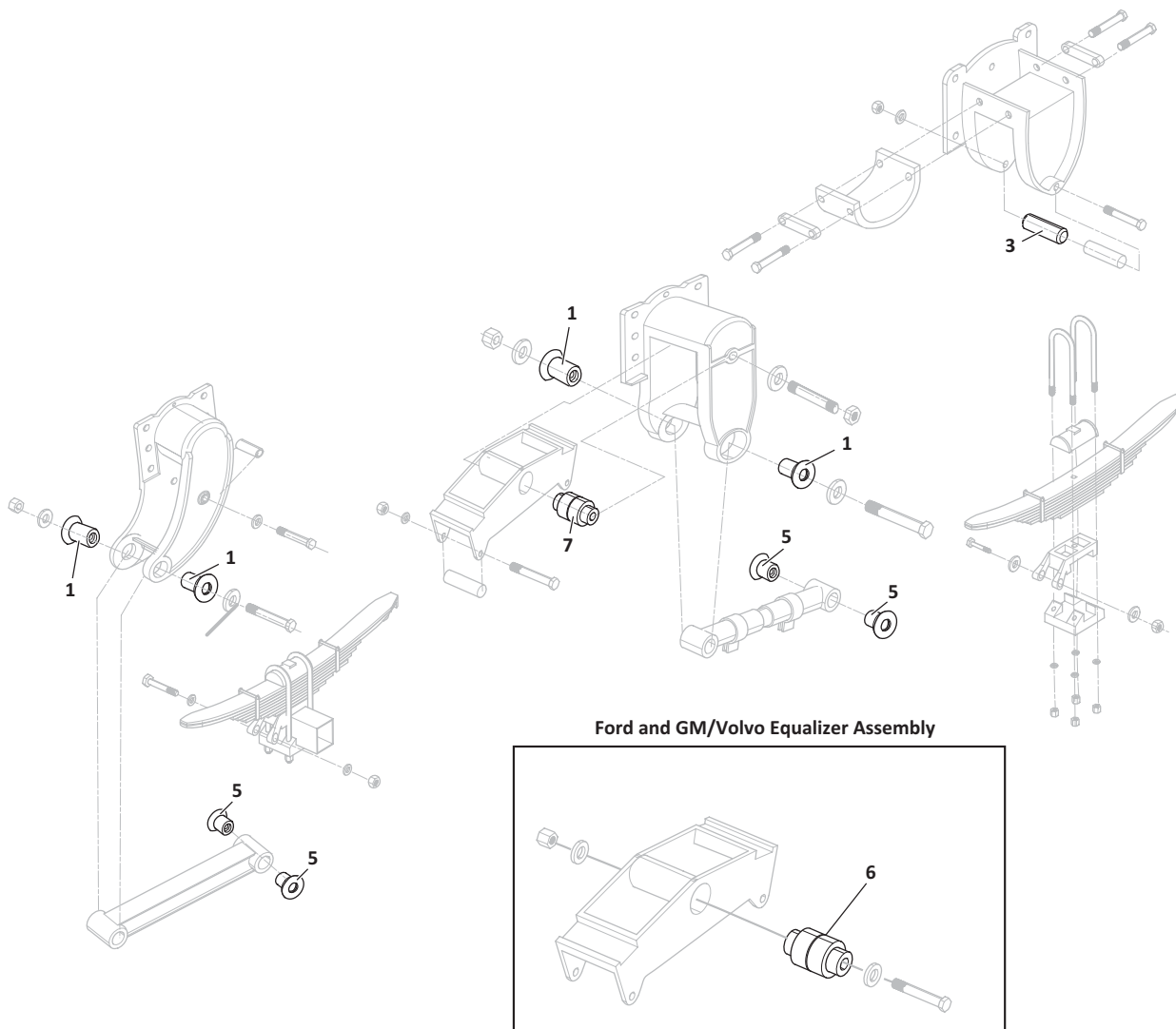


2

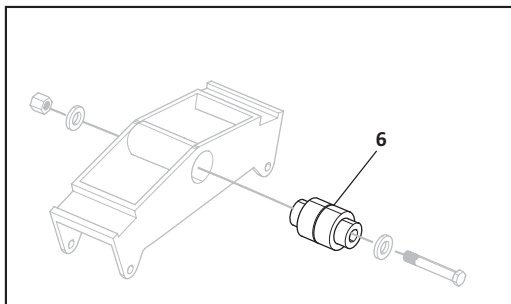
Torque Rod Bushing Kit



4



Ford and GM/Volvo Equalizer Assembly

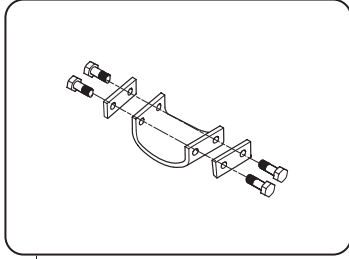


102 Four Spring Suspension				
KEY NO.	GAFF NO.	OEM REF.	DESCRIPTION	QTY PER TANDEM
1	GAFF15020	21238-01S	Torque Rod Bushing	4
	GAFF15008	-	Torque Rod Bushing	4
2	GAFF15061	TK21640T	Torque Rod Bushing Kit	4
3	GAFF15013	09729-01	Hanger Roller Bushing	2
4	GAFF15064	TK19089	Torque Rod Bushing Kit	4
5	GAFF15051	T-2242	Torque Rod Bushing	4
6	GAFF15000	08915-01	Equalizer Bushing, No Slots, Ford and GM/Volvo	2
7	GAFF15001	14713-01	Equalizer Bushing, No Slots	2

REYCO GRANNING

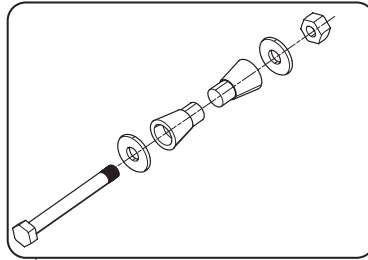
102AR & 240AR Air Suspension

Hanger Pad Assembly, Includes Hardware



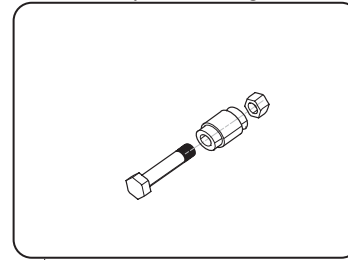
1

Torque Arm Bushing Kit

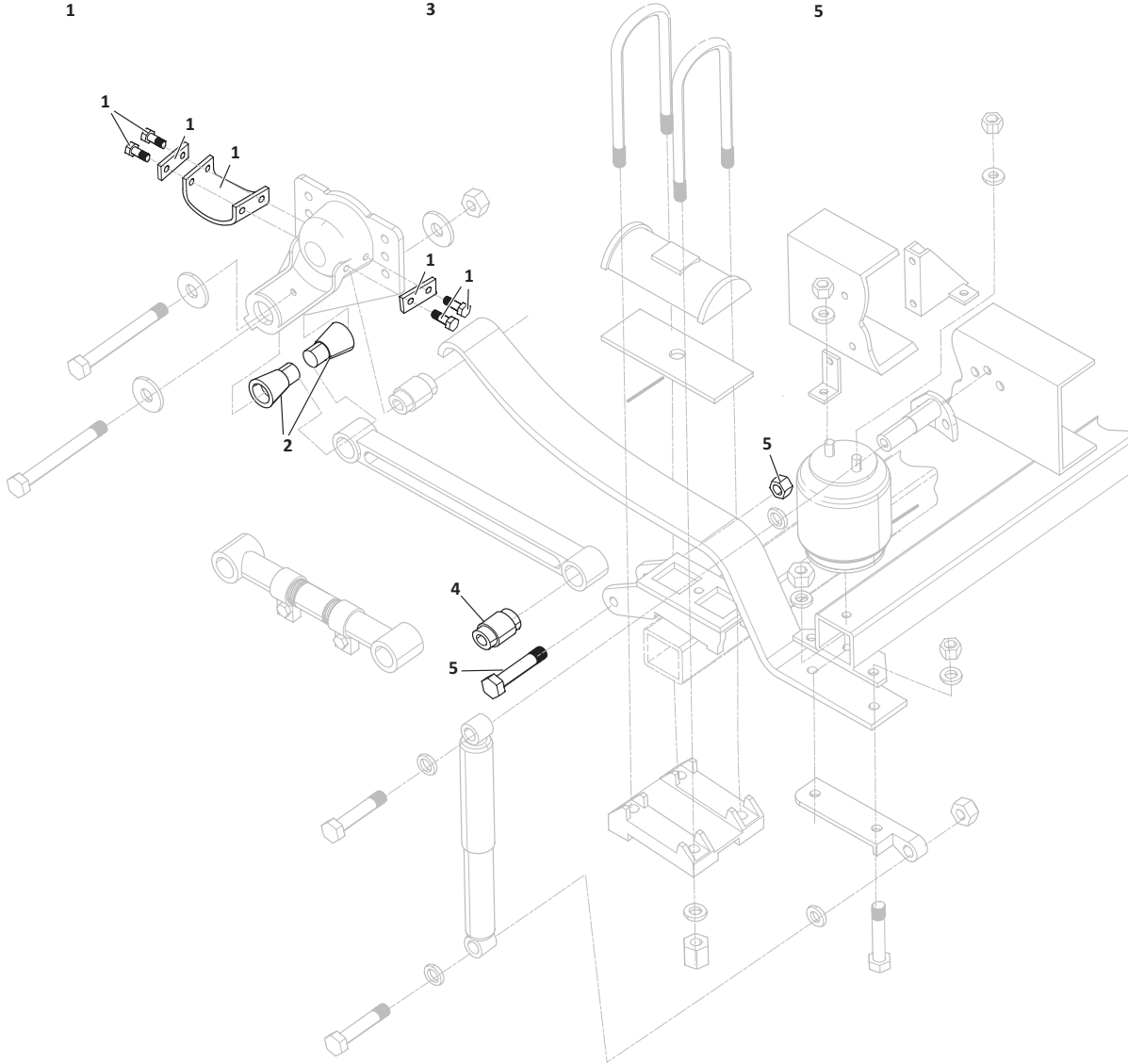


3

Torque Rod Bushing Kit



5

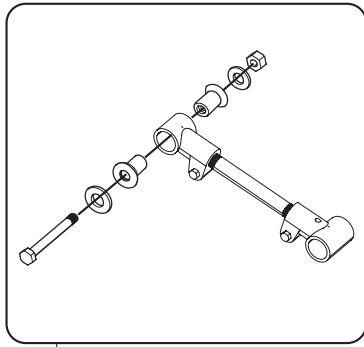


102AR & 240AR Air Suspension

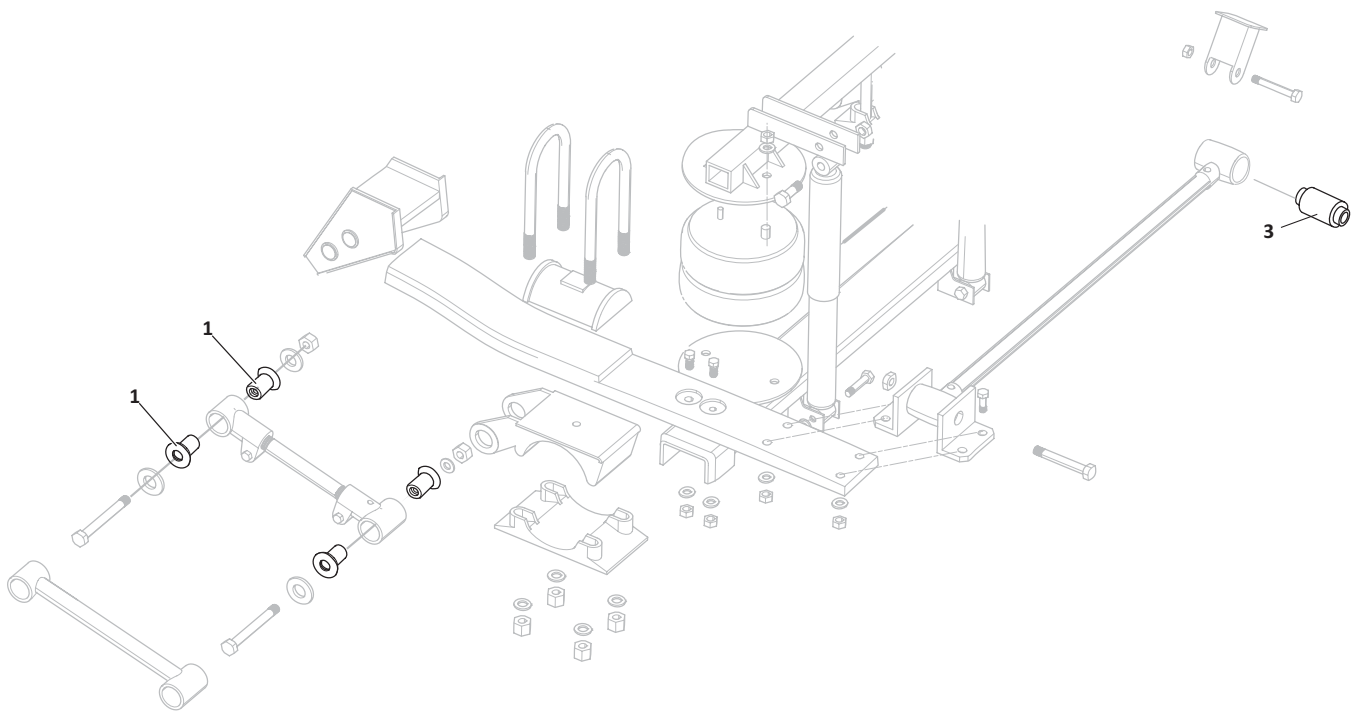
KEY NO.	GAFF NO.	OEM REF.	DESCRIPTION	QTY PER TANDEM
1	GAFF13524	TK19168	Hanger Pad Assembly, Includes Hardware	4
2	GAFF15020	21238-01S	Torque Rod Bushing	8
3	GAFF15061	TK21640T	Torque Rod Bushing Kit	4
4	GAFF15013	09729-01	Torque Rod Bushing	4
5	GAFF15063	K0022-01	Torque Rod Bushing Kit	4

21AR Air Suspension

Torque Arm Bushing & Bolt Kit



2



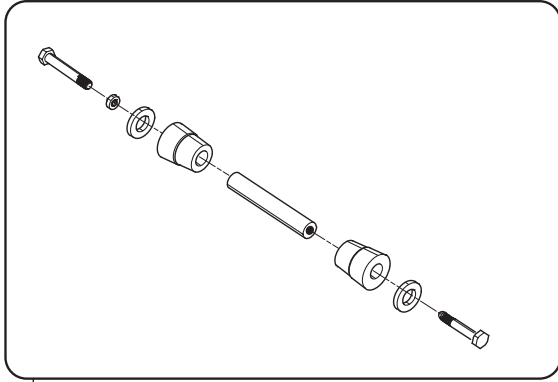
21AR Air Suspension

KEY NO.	GAFF NO.	OEM REF.	DESCRIPTION	QTY PER TANDEM
1	GAFF15011	T-5493	Torque Rod Bushing	16
	GAFF15073	T-5493	Torque Rod Bushing	16
2	GAFF15064	TK18997	Torque Rod Bushing Kit	8
3	GAFF15013	09729-01	Torque Rod Bushing	4

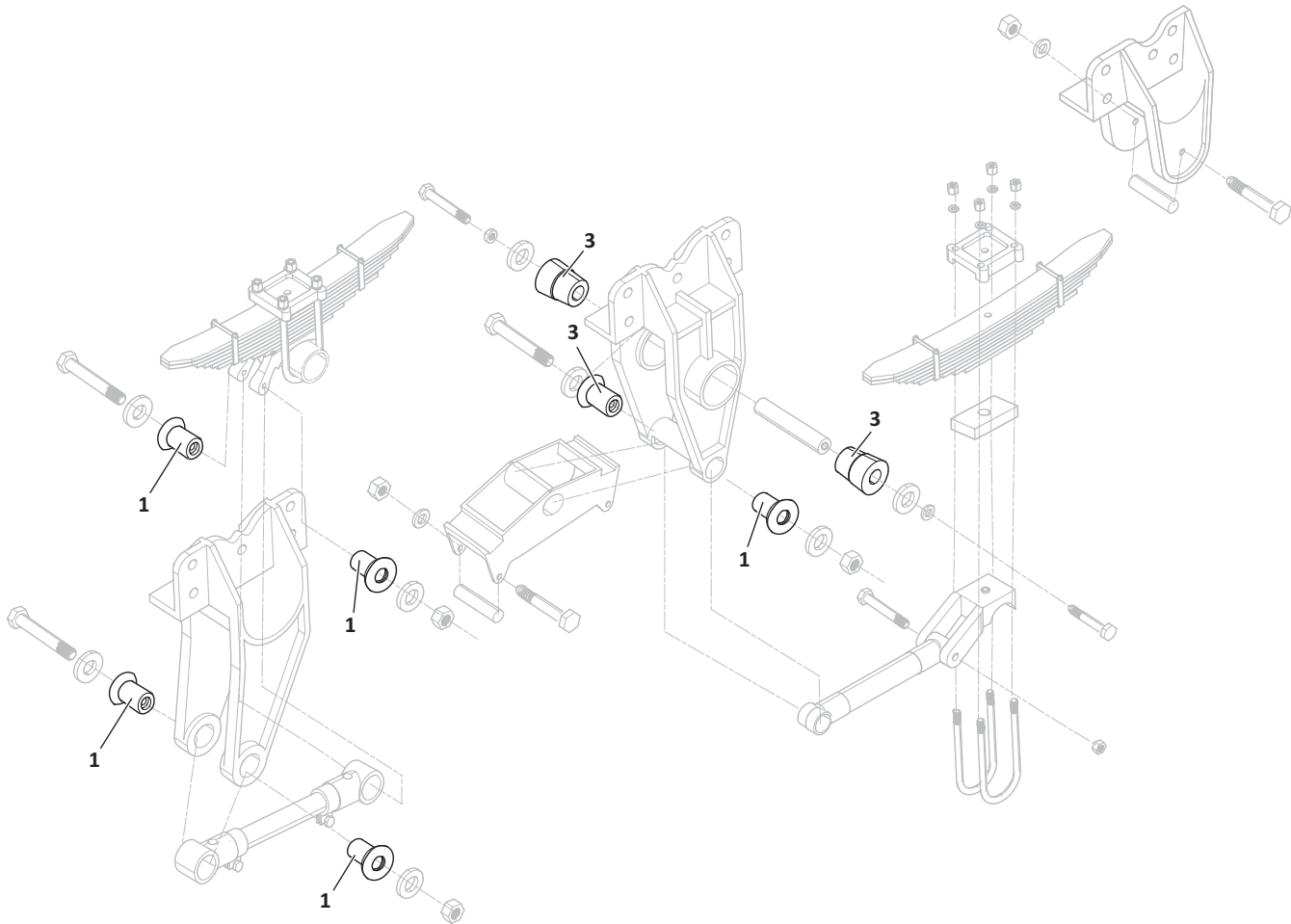
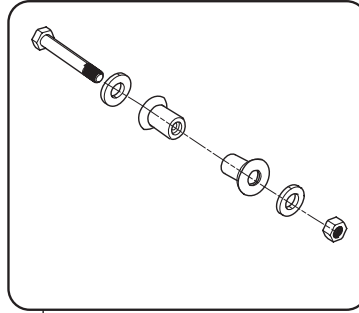
REYCO GRANNING

21B Cast Four Spring Suspension, 42 - 72 Axle Spacing

Equalizer Bushing Assembly



Torque Arm Bushing Kit



21B Cast Four Spring Suspension, 42 - 72 Axle Spacing

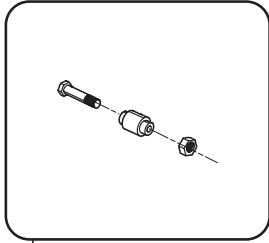
KEY NO.	GAFF NO.	OEM REF.	DESCRIPTION	QTY PER TANDEM
1	GAFF15011	T-5493	Torque Rod Bushing	16
	GAFF15073	T-5493	Torque Rod Bushing	16
2	GAFF15064	TK18997	Torque Rod Bushing Kit	8
3	GAFF15076	T-5524	Equalizer Bushing	4
4	GAFF15075	TK18998	Equalizer Bushing Kit, Includes GAFF15076	2

REYCO GRANNING

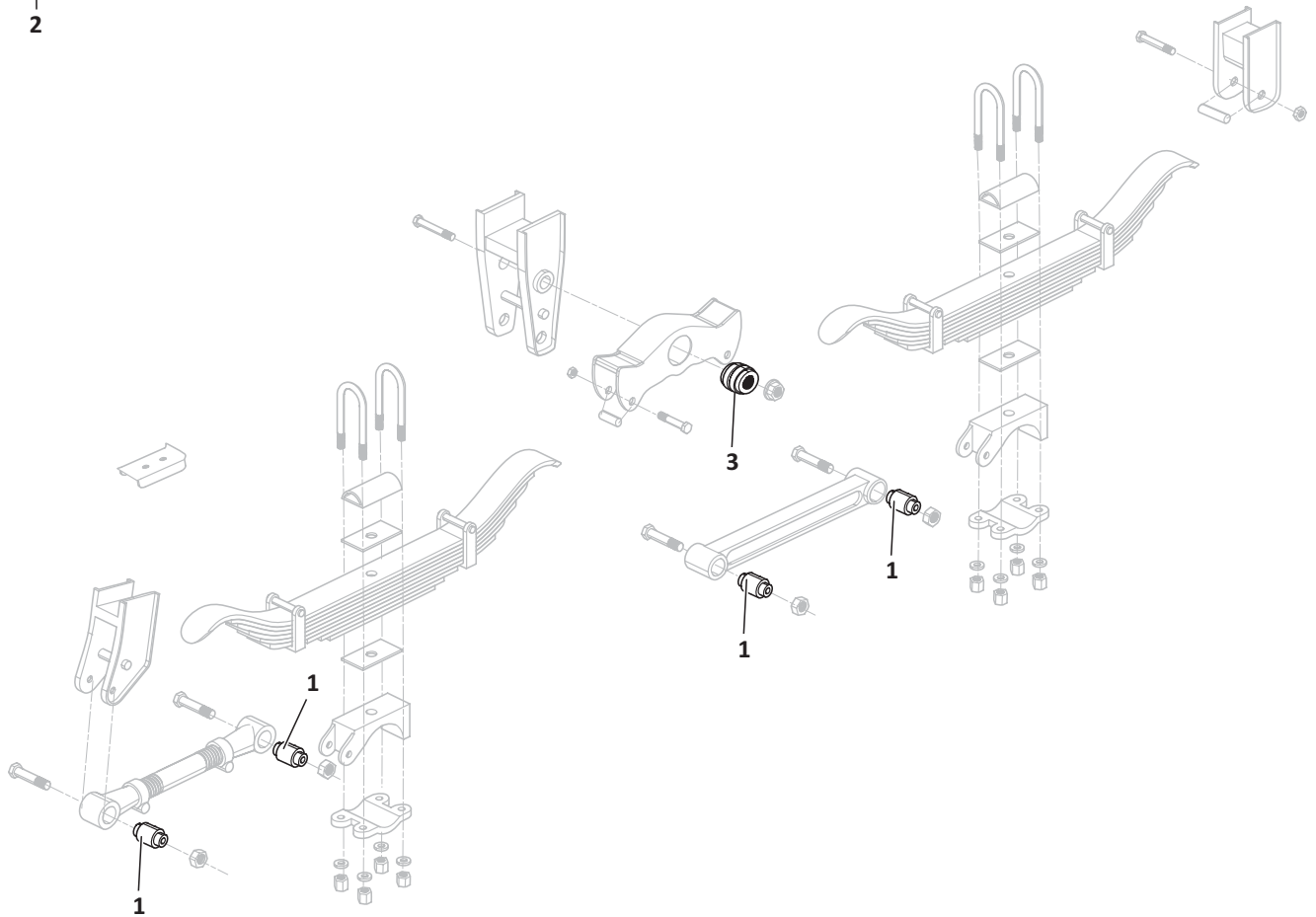
86-88 Four Spring Suspension

GAFF® Polyurethane
Components

Torque Arm Bushing Assembly



2



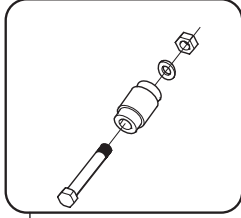
86-88 Four Spring Suspension

KEY NO.	GAFF NO.	OEM REF.	DESCRIPTION	QTY PER TANDEM
1	GAFF15013	09729-01	Torque Rod Bushing	8
2	GAFF15063	K0022-01	Torque Rod Bushing Kit	8
3	GAFF15054	0649-02	Equalizer Bushing	2

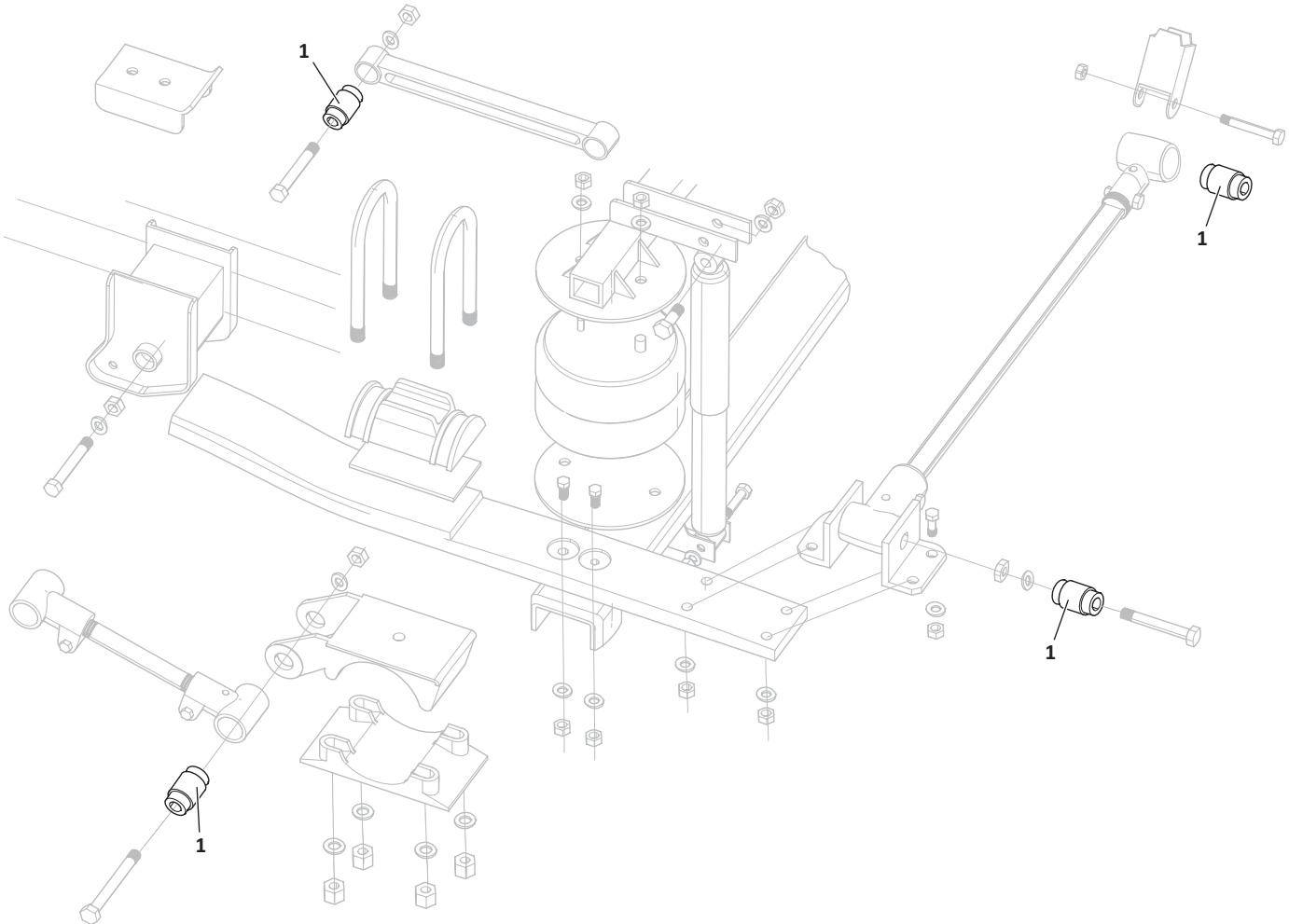
REYCO GRANNING

86AR Air Suspension

Torque Arm/Track Rod
Bushing Assembly



2



86AR Air Suspension				
KEY NO.	GAFF NO.	OEM REF.	DESCRIPTION	QTY PER TANDEM
1	GAFF15013	0022-00, 09729-01	Torque Rod Bushing	12
2	GAFF15063	K0022-01	Torque Rod Bushing Kit	12


Suspension Components

Equalizer Bushing				
Model: Reyco Granning 86-88 Four Spring Suspension				
				
PART NO.	OEM REF.	OD	ID	LENGTH
GAFF15054	0649-02	3-7/16 in.	1 in.	4 in.

Equalizer Bushing, No Slots, Ford and GM/Volvo				
Model: Reyco Granning 101A & 102 Four Spring Suspension				
				
PART NO.	OEM REF.	OD	ID	LENGTH
GAFF15000	08915-01	3-1/8 in.	1-1/4 in.	4-1/2 in.


Equalizer Bushing				
Model: Reyco Granning 21B Cast Four Spring Suspension				
				
PART NO.	OEM REF.	OD	ID	LENGTH
GAFF15076	T-5524	3-1/2 in.	1-5/8 in.	4-13/32 in.

Hanger Pad Assembly, Includes Hardware					
Model: Reyco Granning 102AR & 240AR Air Suspension					
					
PART NO.	OEM REF.	LENGTH	HEIGHT	BOLT DIA.	NOTES
GAFF13524	TK19168	6-25/32 in.	2-7/8 in.	3/8-16 UNC	1 Qty. Pad & 2 Qty. Metallic Plates & 4 Qty. Bolts & 4 Qty. Washer

Equalizer Bushing Kit		
Model: Reyco Granning 21B Cast Four Spring Suspension		
		
PART NO.	OEM REF.	NOTES
GAFF15075	TK18998	2 Qty. GAFF15076 Equalizer Bushing & 1 Qty. Pin & 2 Qty. Washer & 2 Qty. Spring Washer & 2 Qty. Bolt


Torque Rod Bushing				
Model: Reyco Granning 21AR & 21B				
				
PART NO.	OEM REF.	OD	ID	LENGTH
GAFF15011	T-5493	2-5/16 in.	1 in.	2-9/16 in.


Equalizer Bushing, No Slots				
Model: Reyco Granning 102 Four Spring Suspension				
				
PART NO.	OEM REF.	OD	ID	LENGTH
GAFF15001	14713-01	3-1/8 in.	1-1/2 in.	4-1/2 in.


Torque Rod Bushing				
Model: Reyco Granning 101A, 102, 102AR, 240AR, 21AR, 86- 88, 86AR				
				
PART NO.	OEM REF.	OD	ID	LENGTH
GAFF15013	09729-01	1-15/16 in.	7/8 in.	3 in.


REYCO GRANNING


Suspension Components


Torque Rod Bushing				
Model: Reyco Granning 102, 102AR & 240AR				
				
PART NO.	OEM REF.	OD	ID	LENGTH
GAFF15020	21238-01S	3-1/8 in.	1-1/16 in.	2-11/16 in.

Torque Rod Bushing Kit		
Model: Reyco Granning 102, 102AR & 240AR		
		
PART NO.	OEM REF.	NOTES
GAFF15061	TK21640T	2 Qty. GAFF15008 Bushing & 1 Qty. Bolt & 1 Qty. Nut & 2 Qty. Washer

Torque Rod Bushing				
Model: Reyco Granning 102 Four Spring Suspension				
				
PART NO.	OEM REF.	OD	ID	LENGTH
GAFF15051	T-2242	2-3/8 in.	1 in.	2-15/16 in.

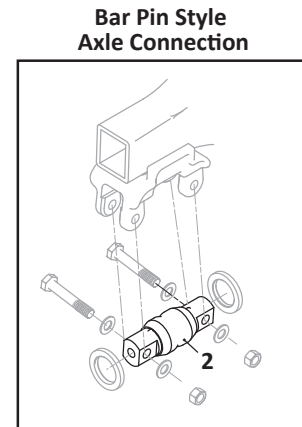
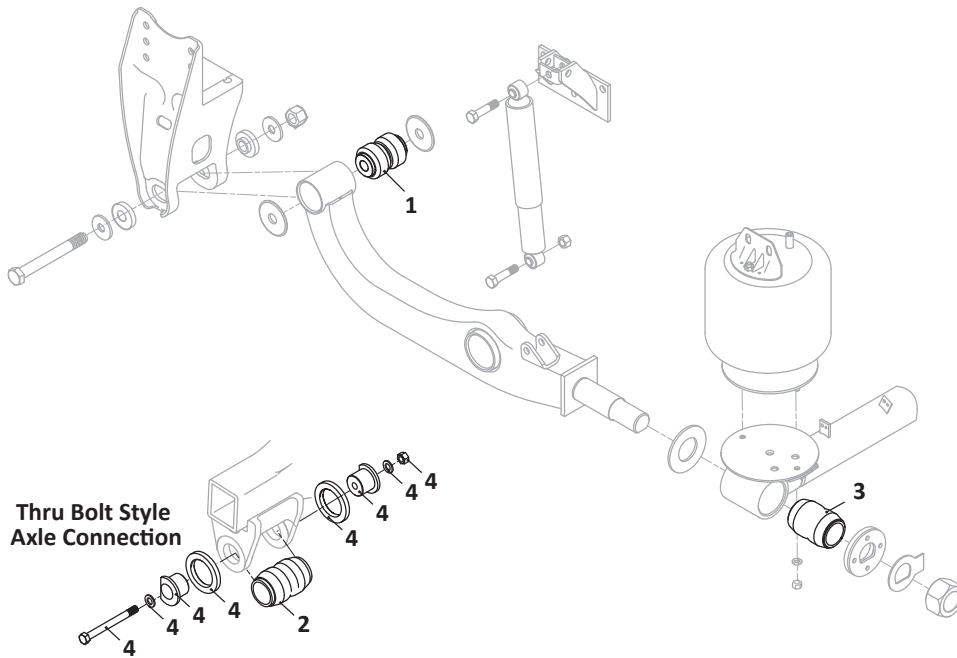
Torque Rod Bushing Kit		
Model: Reyco Granning 86-88 & 86AR		
		
PART NO.	OEM REF.	NOTES
GAFF15063	K0022-01	1 Qty. GAFF15013 Bushing & 1 Qty. Bolt & 1 Qty. Nut

Torque Rod Bushing				
Model: Reyco Granning 102 Four Spring Suspension				
				
PART NO.	OEM REF.	OD	ID	LENGTH
GAFF15008	-	3-1/8 in.	1-1/16 in.	4 in.

Torque Rod Bushing Kit		
Model: Reyco Granning 102, 21AR & 21B		
		
PART NO.	OEM REF.	NOTES
GAFF15064	TK19089	2 Qty. Torque Rod Bushing & 1 Qty. Bolt & 1 Qty. Nylon Insert Nut & 2 Qty. Washer

Torque Rod Bushing				
Model: Reyco Granning 21AR & 21B				
				
PART NO.	OEM REF.	OD	ID	LENGTH
GAFF15073	T-5493	2-11/32 in.	1 in.	3 in.

NOTES: _____

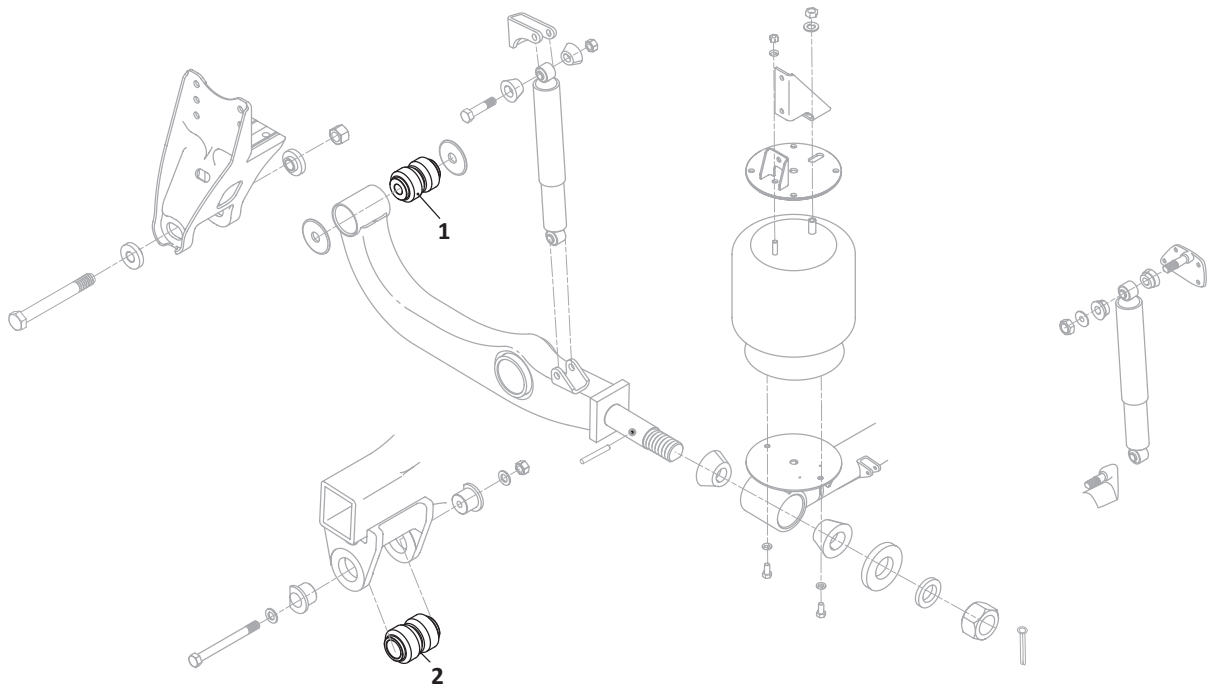


AD-123/246/369				
KEY NO.	GAFF NO.	OEM REF.	DESCRIPTION	QTY PER TANDEM
1	GAFF14514	90008252	Pivot Bushing	2
2	GAFF14527	90008008	Bushing, Axle Connection, Thru Bolt Style	2
	GAFF14532	90008005	Bushing, Axle Connection, Bar Pin Style	2
3	GAFF31592	90008219	Beam End Bushing	2
4	GAFF13507	-	Adapter Kit	2

SAF-HOLLAND

ARD-125-6, -8, -244-6, -8

GAFF® Polyurethane
Components

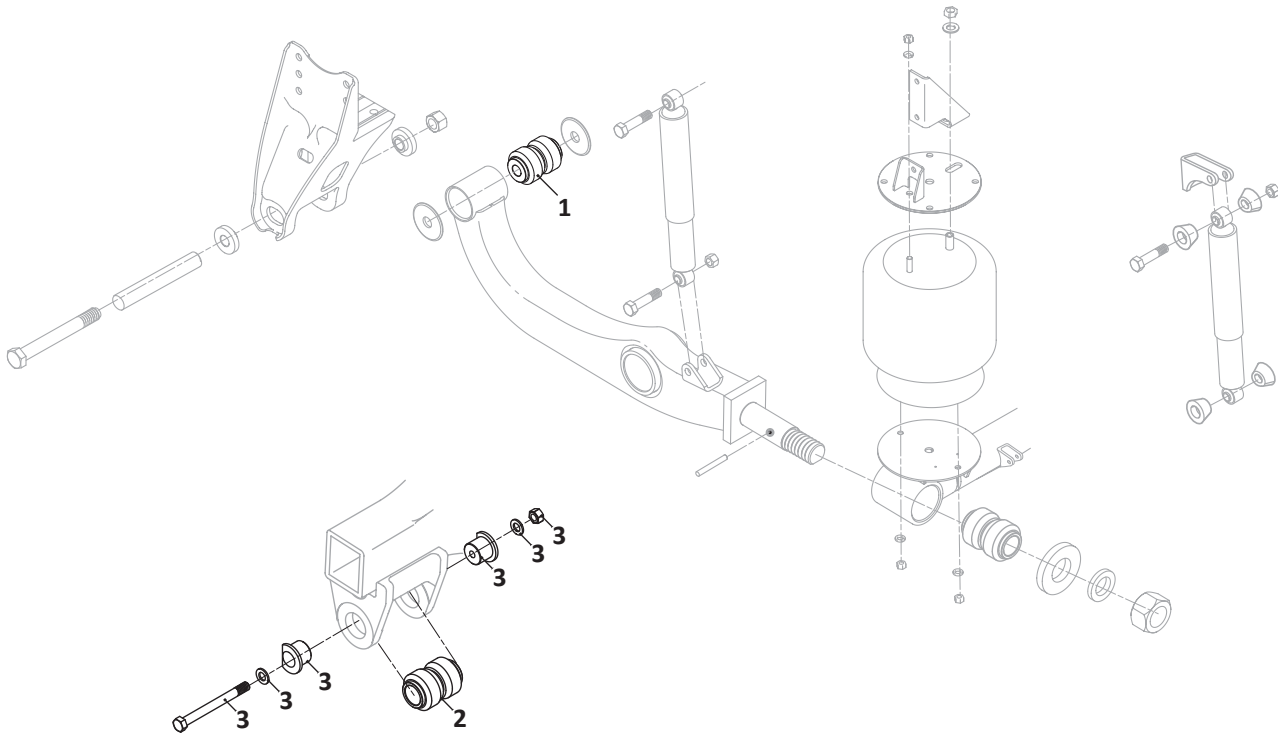


ARD-125-6, -8, -244-6, -8

KEY NO.	GAFF NO.	OEM REF.	DESCRIPTION	QTY PER TANDEM
1	GAFF14514	90008151	Pivot Bushing	2
2	GAFF14527	90008008	Bushing, Axle Connection, Thru Bolt Style, 5-3/4 in. Axle Connection	2
	GAFF31592	90008006	Bushing, Axle Connection, Thru Bolt Style, 5-1/4 in. Axle Connection	2

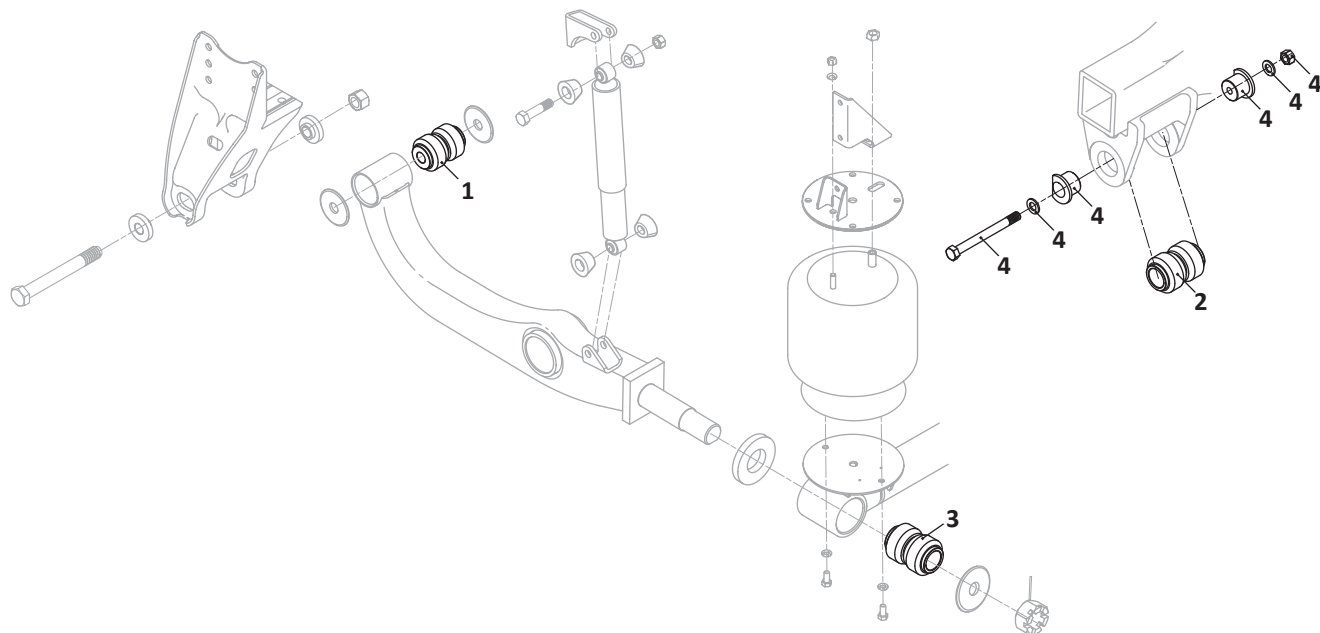
SAF-HOLLAND

ARD-234-6



ARD-234-6				
KEY NO.	GAFF NO.	OEM REF.	DESCRIPTION	QTY PER TANDEM
1	GAFF14533	90008148	Pivot Bushing	2
2	GAFF14527	90008008	Bushing, Axle Connection, Thru Bolt Style	2
3	GAFF13507	-	Adapter Kit	2

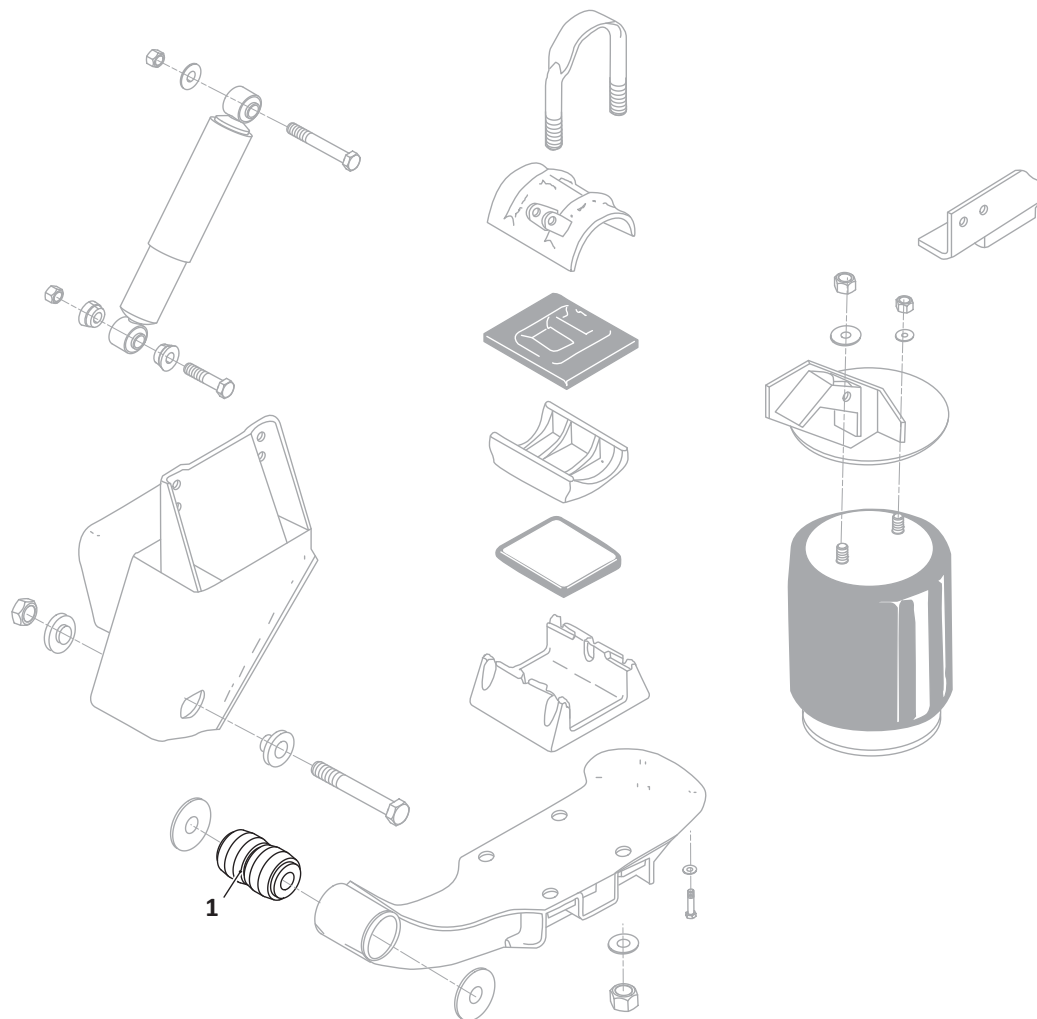
ARDST/ARDSTM & L



ARDST/ARDSTM & L				
KEY NO.	GAFF NO.	OEM REF.	DESCRIPTION	QTY PER TANDEM
1	GAFF14514	90008151	Pivot Bushing	2
2	GAFF14527	90008008	Bushing, Axle Connection, Thru Bolt Style	2
3	GAFF31592	90008135	Beam End Bushing	2
4	GAFF13507	-	Adapter Kit	2

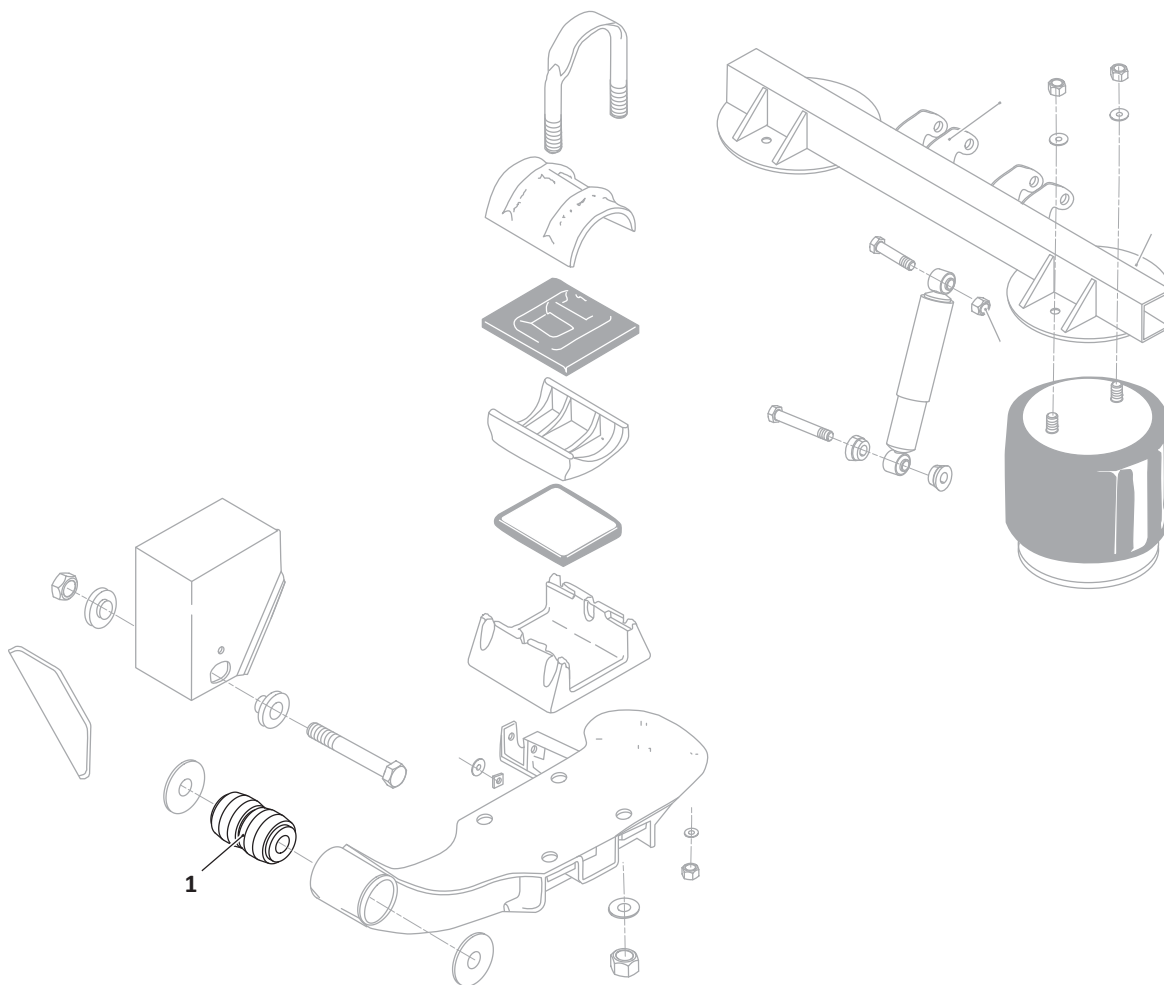
SAF-HOLLAND

ART 500/505/551/555



ART 500/505/551/555				
KEY NO.	GAFF NO.	OEM REF.	DESCRIPTION	QTY PER TANDEM
1	GAFF14513	90018139	Pivot Bushing	2

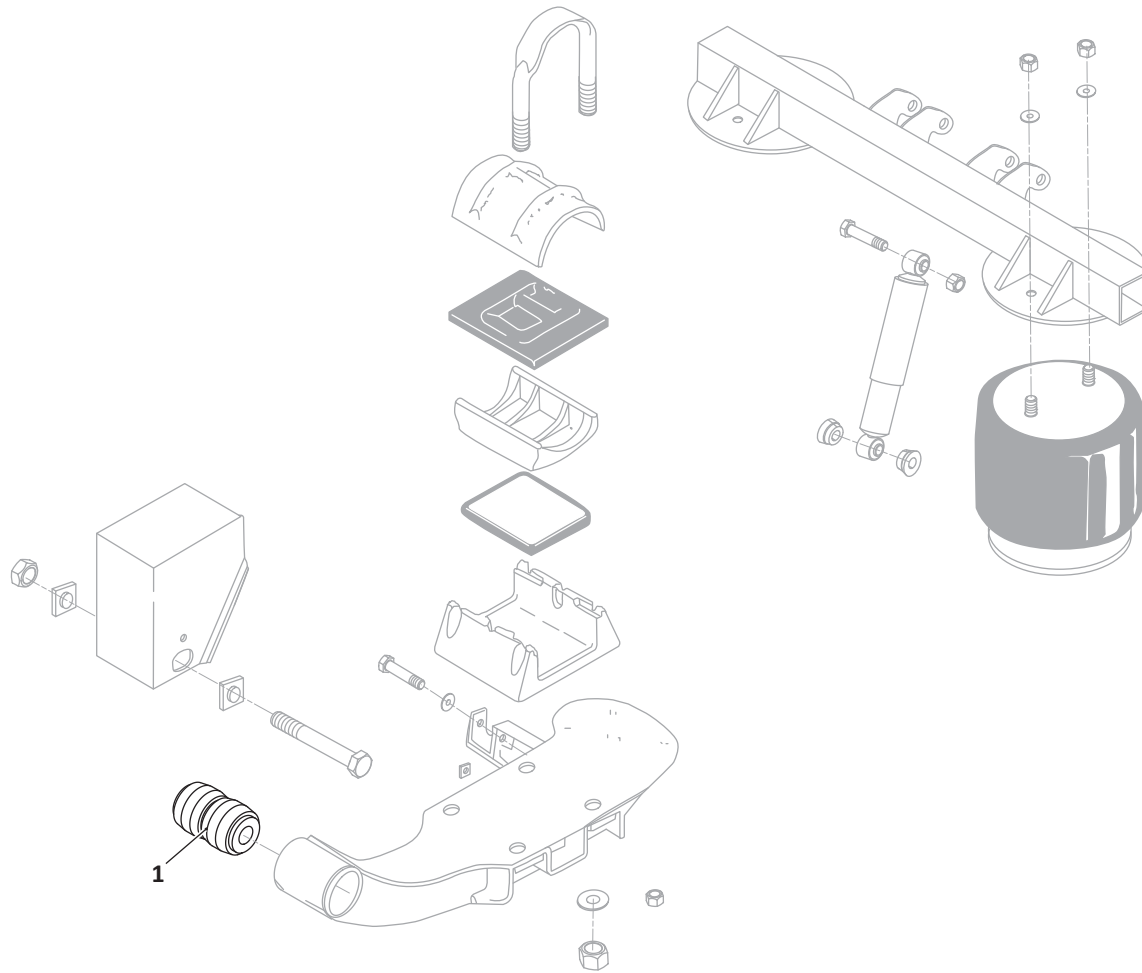
Air Spring, AR-41/45/75-6,-9,-12/75-1-12/85-A



Air Spring, AR-41/45/75-6,-9,-12/75-1-12/85-A				
KEY NO.	GAFF NO.	OEM REF.	DESCRIPTION	QTY PER TANDEM
1	GAFF14513	90018139	Pivot Bushing	2

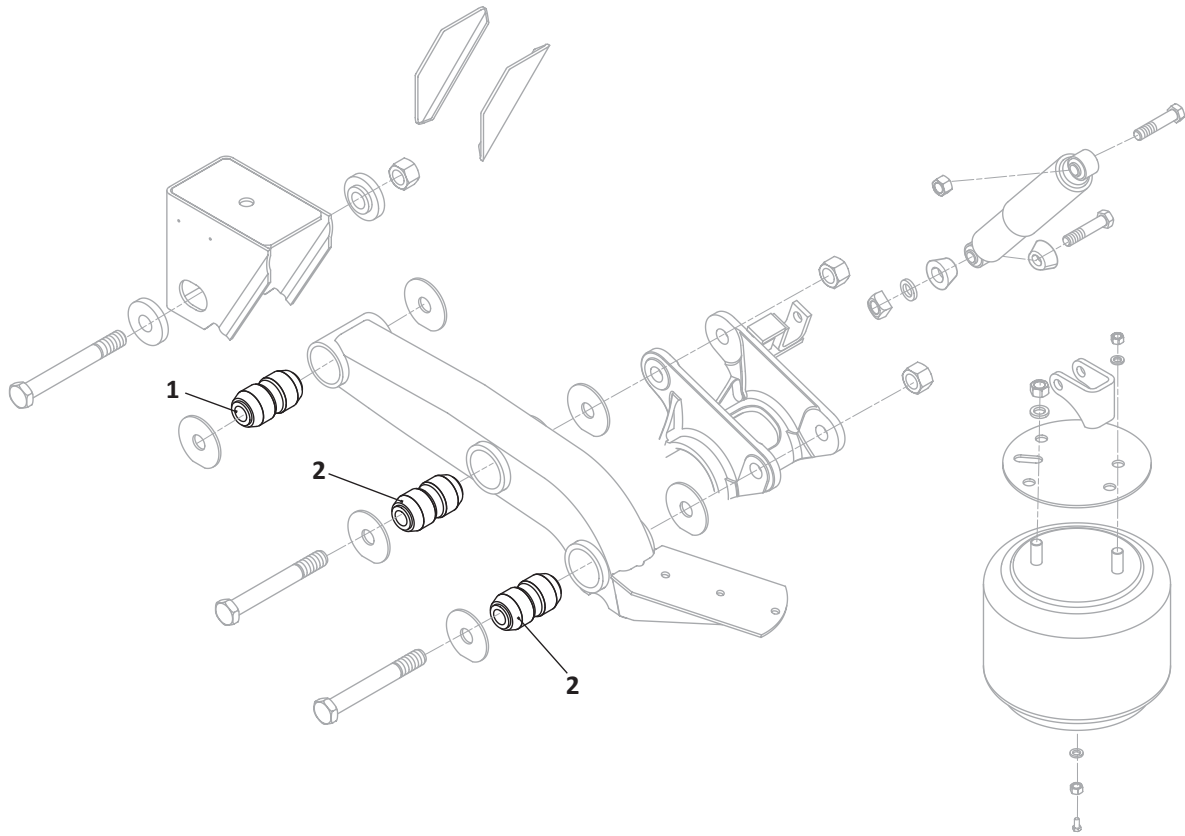
SAF-HOLLAND

Air Spring, AR-50-US, -F, -F-1, -F-2



Air Spring, AR-50-US, -F, -F-1, -F-2				
KEY NO.	GAFF NO.	OEM REF.	DESCRIPTION	QTY PER TANDEM
1	GAFF14510	90008131	Pivot Bushing	2

Air Spring, AR-90/AR-90-1/AR-92/AR-93

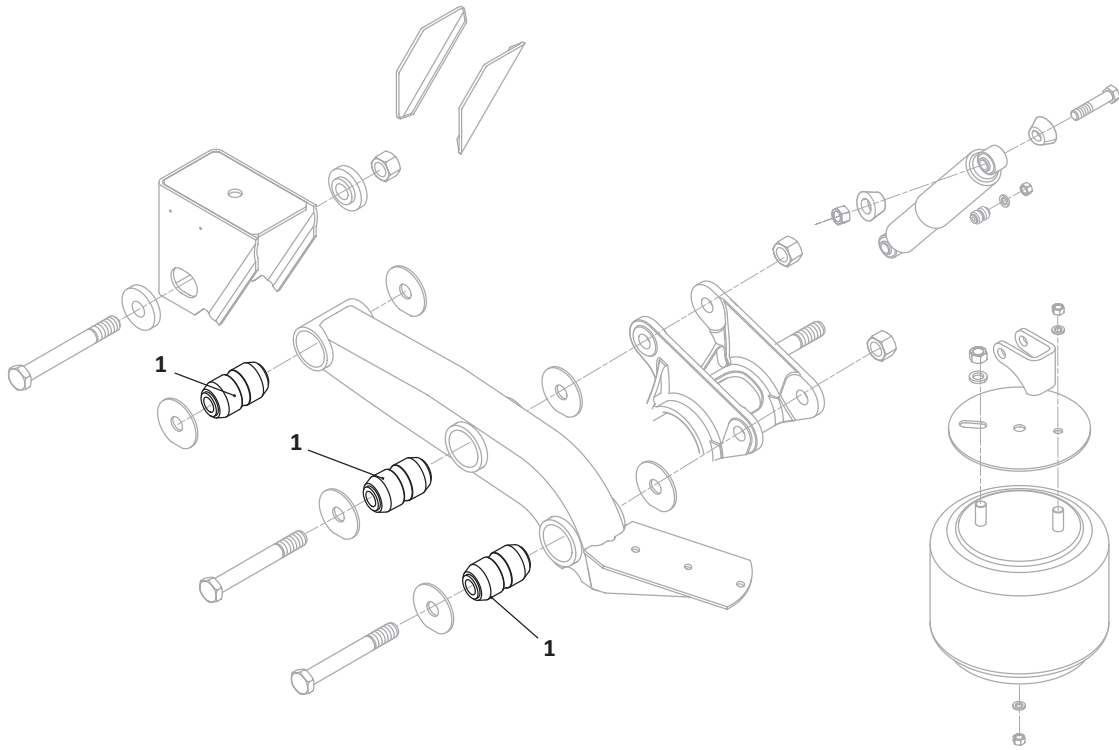


Air Spring, AR-90/AR-90-1/AR-92/AR-93

KEY NO.	GAFF NO.	OEM REF.	DESCRIPTION	QTY PER TANDEM
1	GAFF14513	90018139	Pivot Bushing	2
2	GAFF14533	90008149	Axle Bushing	4

SAF-HOLLAND

Air Spring, RL-196/196A, RL228, RL-230



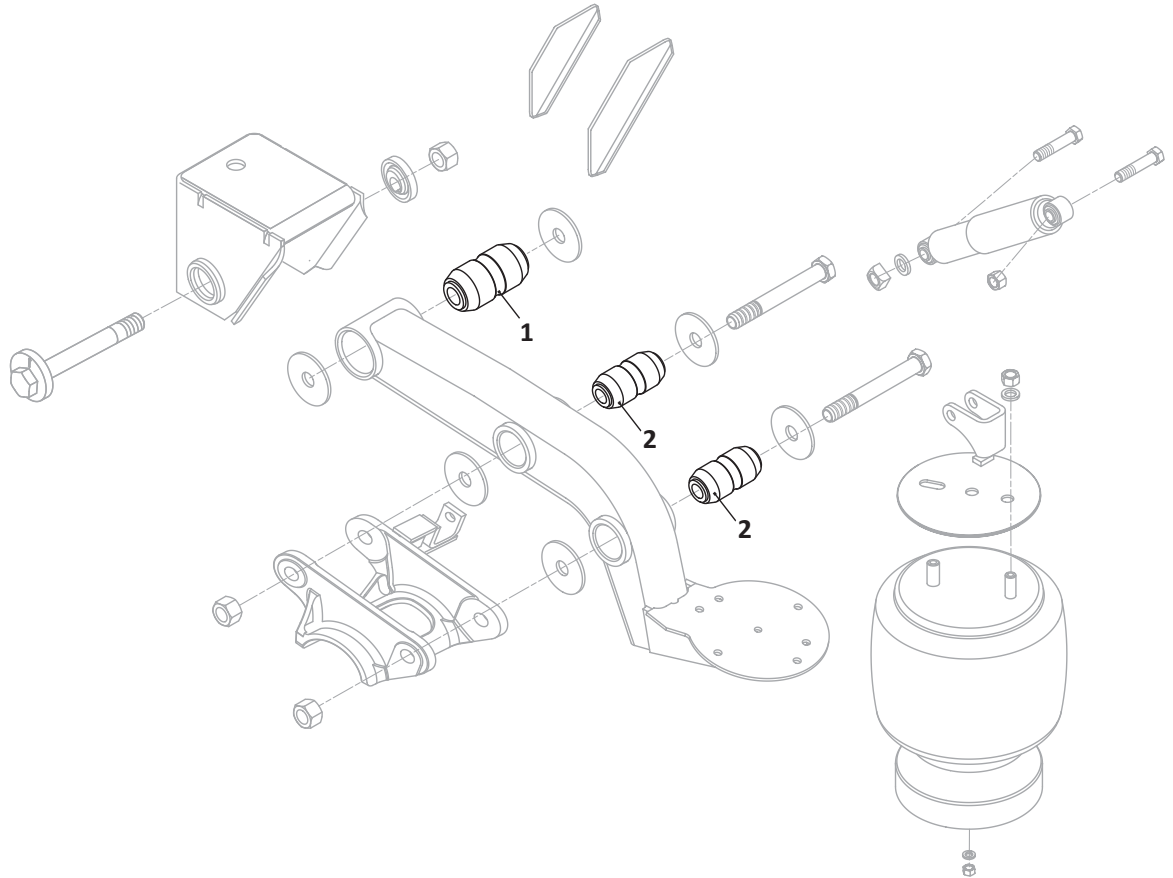
Air Spring, RL-196/196A, RL228, RL-230

KEY NO.	GAFF NO.	OEM REF.	DESCRIPTION	QTY PER TANDEM
1	GAFF14533	90008149	Pivot & Axle Bushing	4

SAF-HOLLAND

Air Spring, RL-250, RL-300

GAFF® Polyurethane
Components

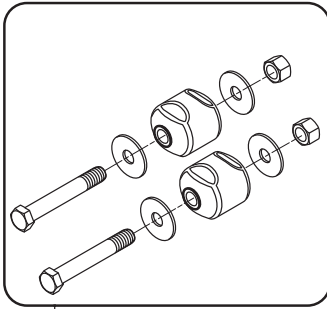


Air Spring, RL-250, RL-300				
KEY NO.	GAFF NO.	OEM REF.	DESCRIPTION	QTY PER TANDEM
1	GAFF14513	90018139	Pivot Bushing	2
2	GAFF14533	90008149	Axle Bushing	4

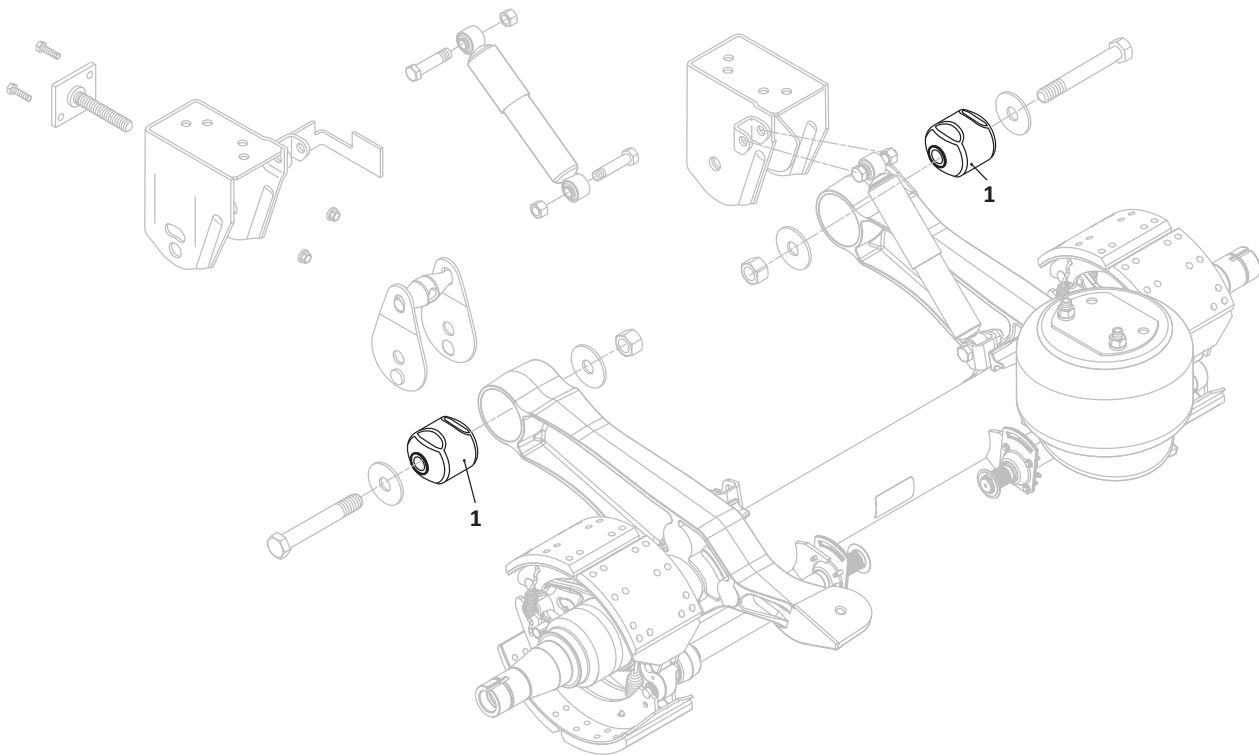
SAF-HOLLAND

Air Spring, CBX23/CBX25/CBX40

Pivot Bushing Kit

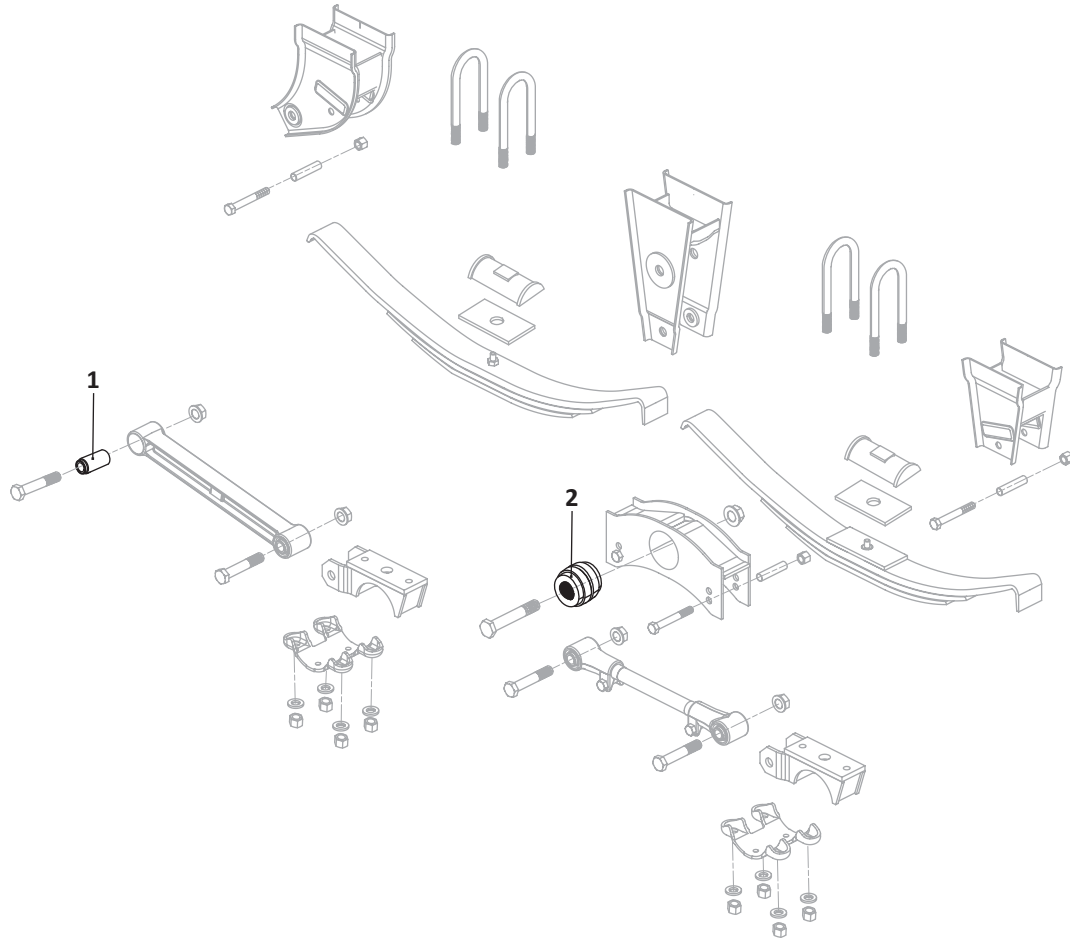


2



Air Spring, CBX23/CBX25/CBX40				
KEY NO.	GAFF NO.	OEM REF.	DESCRIPTION	QTY PER TANDEM
1	GAFF50046	90008247	Pivot Bushing	2
2	GAFF50047	48100394 / SRK-530	Pivot Bushing Kit	2

Leaf, Four Spring, Binkley-Duralite SP900




Leaf, Four Spring, Binkley-Duralite SP900				
KEY NO.	GAFF NO.	OEM REF.	DESCRIPTION	QTY PER TANDEM
1	GAFF15013	XB-SP0054-02	Torque Rod Bushing	8
2	GAFF15054	XB-SP0054-05	Equalizer Bushing	2

SAF-HOLLAND

Suspension Components

Bushing, Axle Connection, Bar Pin Style


Model:
AD-123



PART NO.	OEM REF.	OD	ID
GAFF14532	90008005 90008175	3-27/32 in.	1-1/16 in.

Equalizer Bushing

Model:
Duralite



PART NO.	OEM REF.	OD	ID	LENGTH
GAFF15054	XB-SP0054-05	3-5/16 in.	1 in.	4 in.

Bushing, Axle Connection, Thru Bolt Style


Model:
AD-123, ARD-125, ARD-234 & ARDST Series



PART NO.	OEM REF.	OD	ID	LENGTH
GAFF14527	90008008	3-7/8 in.	2-1/2 in.	5-3/4 in.

Pivot & Axle Bushing

Model:
ARD-234, AR90-93 Series, RL Series



PART NO.	OEM REF.	OD	ID	LENGTH
GAFF14533	90008149	2-13/16 in.	1-1/8 in.	5 in.

Bushing, Axle Connection, Thru Bolt Style


Model:
AD-123, ARD-125, ARDST



PART NO.	OEM REF.	OD	ID	LENGTH
GAFF31592	90008006 90008219	3-7/8 in.	2-1/2 in.	5-1/4 in.

Pivot Bushing


Model:
ARD-125-6, -8, -244-6, -8, AR-50-US, -F, -F-1, -F-2



PART NO.	OEM REF.	OD	ID	LENGTH
GAFF14510	90008131	2-3/8 in.	1-1/8 in.	5 in.

Adapter Kit


Model:
AD-123, ARD-125, ARD-234 & ARDST Series



PART NO.	OEM REF.	NOTES
GAFF13507	-	Includes adapter, nut, bolt and washers


Pivot Bushing


Model:
ART500 Series, AR41, AR75, AR85, AR90-93 Series, RL Series




PART NO.	OEM REF.	OD	ID	LENGTH
GAFF14513	90018139	3-1/2 in.	1-1/8 in.	5-1/4 in.

Suspension Components

Pivot Bushing				
Model: AD-123 & ARDST Series				
				
PART NO.	OEM REF.	OD	ID	LENGTH
GAFF14514	90008151 90008252	3-1/2 in.	1-1/8 in.	5 in.

Pivot Bushing Kit		
Model: CBX23/CBX25/CBX40		
		
PART NO.	OEM REF.	NOTES
GAFF50047	48100394 / SRK-530	2 Qty GAFF50046 Pivot Bushing & 4 Qty. Washer & 2 Qty. Nylon Insert Nut & 2 Qty. Bolts

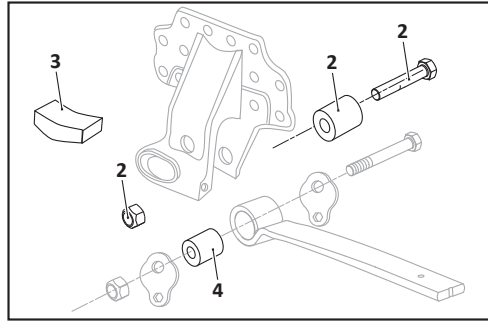
Pivot Bushing				
Model: CBX23/CBX25/CBX40				
				
PART NO.	OEM REF.	OD	ID	LENGTH
GAFF50046	90008247	5 in.	1-1/8 in.	5 in.

Torque Rod Bushing				
Model: Duralite				
				
PART NO.	OEM REF.	OD	ID	LENGTH
GAFF15013	XB-SP0054-02	1-15/16 in.	7/8 in.	3 in.

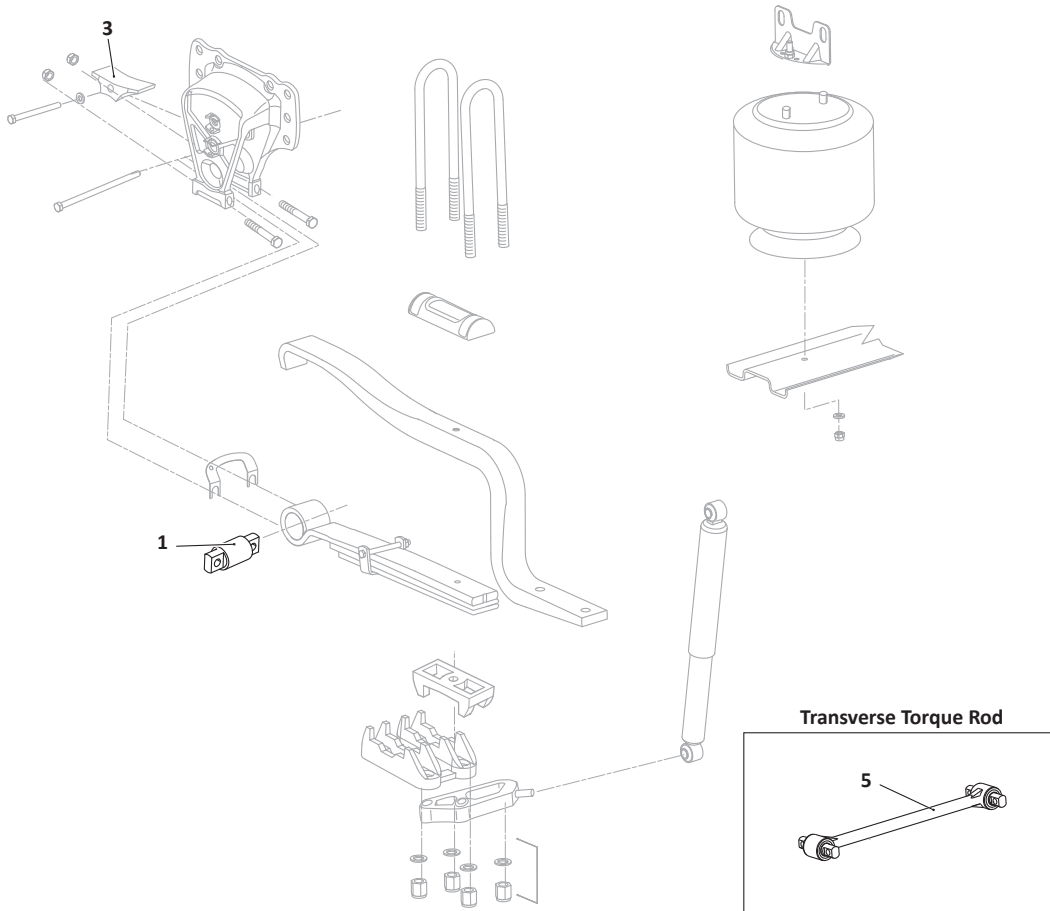
VOLVO

Corporate Air Ride

Alternate Hanger & Slipper Pad



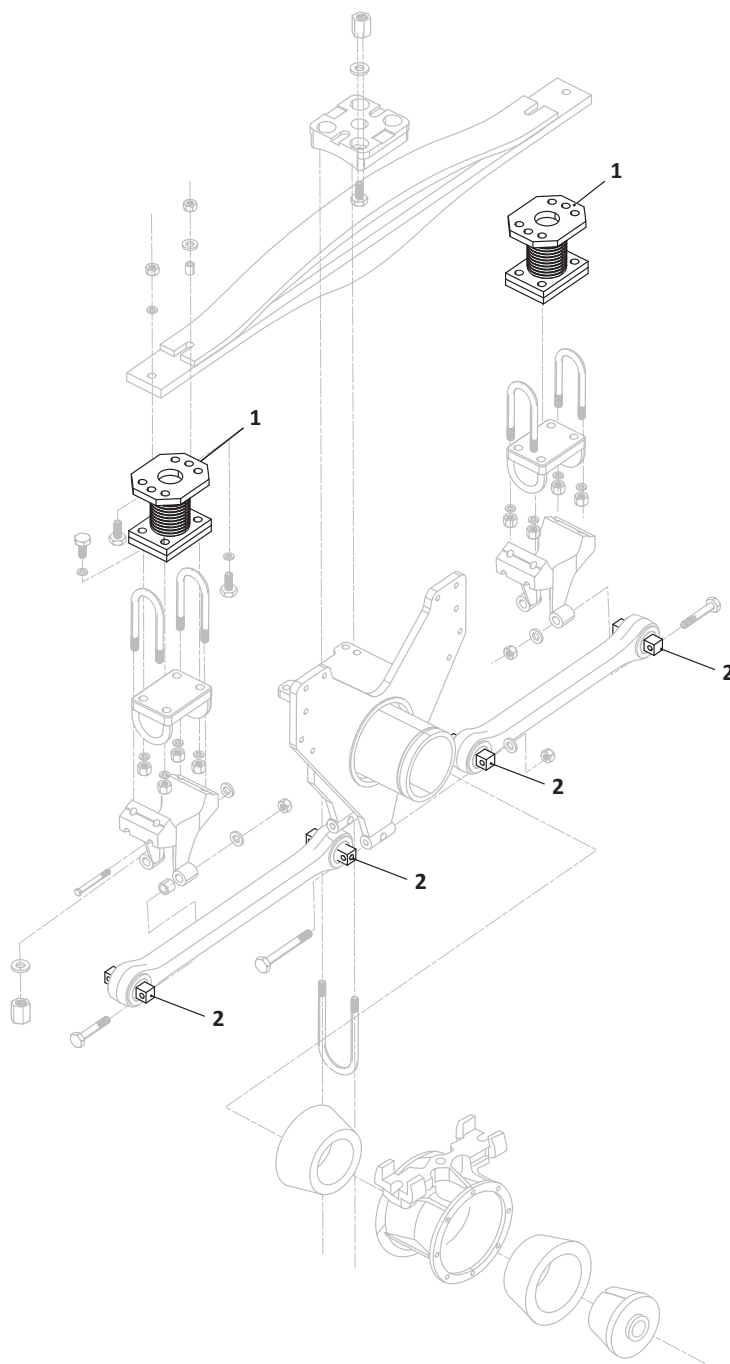
2007 and Later



Transverse Torque Rod

Corporate Air Ride				
KEY NO.	GAFF NO.	OEM REF.	DESCRIPTION	QTY PER TANDEM
1	GAFF13522	35033-3201, 227710	Torque Rod Bushing	2
2	GAFF11747	57989000C05D	Roller Kit	2
3	GAFF31144	20703083	Wear Pad, 2007 and later	2
	GAFF31145	8079889, 20568741	Wear Pad, 1999-2006	2
4	GAFF31129	20558810	Spring Eye Bushing	2
5	GAFF18860	30SQ4525	Transverse Torque Rod	2

T-Ride 2006 and Later




T-Ride 2006 and Later				
KEY NO.	GAFF NO.	OEM REF.	DESCRIPTION	QTY PER TANDEM
1	GAFF12333	1629553	Load Spring	4
2	GAFF32031	550806, 1112506	Torque Rod Bushing	4

Suspension Components

Load Spring

Model:
Volvo T-Ride 2006 and Later



PART NO.	OEM REF.	LENGTH	HEIGHT	WIDTH
GAFF12333	1629553, 3090971, 1089501, 20390836	8-1/4 in.	5-7/8 in.	5-15/16 in.

Wear Pad


Model:
Volvo Corporate
Air Ride



PART NO.	OEM REF.	NOTES
GAFF31144	20703083	2007 and Later

Torque Rod Bushing

Model:
Volvo Corporate Air Ride



PART NO.	OEM REF.	OD	LENGTH	BOLT DIA.	NOTES
GAFF13522	35033-3201, 227710, 44694-000	2-1/2 in.	4-3/8 in.	5/8 in.	Use GAFF83520 for Easy-Mount (Free Rotating Bushing)

Wear Pad


Model:
Volvo Corporate
Air Ride



PART NO.	OEM REF.	NOTES
GAFF31145	8079889, 20568741	1999 to 2006

Torque Rod Bushing

Model:
Volvo T-Ride
2006 and Later



PART NO.	OD	LENGTH	BOLT DIA.
GAFF32031	2-15/16 in.	4-1/2 in.	5/8 in.

Spring Eye Bushing


Model:
Volvo Corporate
Air Ride



PART NO.	OEM REF.	OD	ID
GAFF31129	20558810	2-17/32 in.	7/8 in.

Roller Kit


Model:
Volvo Corporate
Air Ride



PART NO.	OEM REF.	NOTES
GAFF11747	57989000C05D	1 Qty. Bushing & 1 Qty. Sleeve & 1 Qty. Nylon Insert Nut & 2 Qty. Washer & 1 Qty. Bolt


Transverse Torque Rod


Model:
Volvo Corporate
Air Ride




PART NO.	OEM REF.	LENGTH	NOTES
GAFF18860	30SQ4525	22-1/8 in.	Includes 2 Qty GAFF13520 Bushings


Cab Mounts

Cab Mount				
				
PART NO.	OEM REF.	ID	OD	LENGTH
GAFF12340	80744666	11/16 in.	2-11/16 in.	4-5/16 in.


Torsion Spring Mount			
			
PART NO.	OEM REF.	LENGTH	NOTES
GAFF12344	20769319	5-13/16 in.	7/16 in. Bolt Holes


Cab Mount, Rear				
				
PART NO.	OEM REF.	ID	OD	LENGTH C-TO-C
GAFF12322	66001-3204	5/8 in.	2 in.	2-7/8 in.

Motor Mounts

Motor Mount, Front			
			
PART NO.	OEM REF.	LENGTH	NOTES
GAFF12304	12005-001, 12005-3207	10 in.	5/8 in. Bolt Holes

Motor Mount, Rear		
		
PART NO.	OEM REF.	LENGTH
GAFF12301	04-9009997	6-1/4 in.

Motor Mount, Front			
			
PART NO.	OEM REF.	ID	OD
GAFF12305	12005-3208, 12005-0002, 3081659	5/8 in.	2-13/16 in.

Motor Mount, Rear		
		
PART NO.	OEM REF.	LENGTH
GAFF16009	2422749	5-1/2 in.


Radiator, Air Cooler Mounts & Exhaust Mounts

Exhaust Mount				
				
PART NO.	OEM REF.	OD	LENGTH	BOLT DIA.
GAFF31008	6850 149-3	1-15/16 in.	2-3/4 in.	7/16 in.-14 UNC

CAB MOUNTS


Suspension Components

Cab Mount — Kenworth



PART NO.	OEM REF.	ID	WIDTH	HEIGHT	LENGTH
GAFF10004	14003022, 14004200, 449713C1, 449713C2	3/4 in.	3 in.	1-29/32 in.	3-1/2 in.

Cab Mount, Rear — Navistar




PART NO.	OEM REF.	LENGTH
GAFF10009	436149R1, 555645C1, AM52137	2-13/16 in.

Cab Mount — Kenworth



PART NO.	OEM REF.	ID	OD	OD<	LENGTH
GAFF10005	80446	5/8 in.	2-7/8 in.	1-3/4 in.	2-11/16 in.

Cab Mount — Freightliner



PART NO.	OEM REF.	ID	OD	OD<	LENGTH
GAFF11007	7007-05	5/8 in.	3 in.	2-3/4 in.	2-1/8 in.

Cab Mount — Mack




PART NO.	OEM REF.	ID	OD	LENGTH
GAFF10007	80446	5/8 in.	2-3/4 in.	1-5/16 in.

Lower Cab Mount — Freightliner




PART NO.	OEM REF.	ID	OD	LENGTH
GAFF11008	LORSB3310017A, A6818910001, 681-891-00-01	1-3/16 in.	3-3/4 in.	1-5/16 in.

Cab Mount, Front — Navistar



PART NO.	OEM REF.	LENGTH
GAFF10008	7007-05	3-5/16 in.


Upper Cab Mount — Freightliner



PART NO.	OEM REF.	ID	OD	LENGTH
GAFF11009	LORSB33310017B, 681-890-00-01, A6818900001	3/4 in.	3-25/32 in.	2-9/16 in.


Suspension Components

Cab Mount Bushing — Freightliner




PART NO.	OEM REF.	ID	OD	LENGTH
GAFF11075	18-44009-00, 18-45384-00, 18-34678-000, 18-41005-000, 18-42727-000, LORD BJ-1769	5/8 in.	3-3/4 in.	3-1/8 in.

Cab Mount Kit — Freightliner




PART NO.	OEM REF.	NOTES
GAFF11113	J-20120, J-19791, 17-1843, J197911, J201204	Includes 1 Upper Mount and 1 Lower Mount

Cab Mount Kit — Freightliner




PART NO.	OEM REF.	NOTES
GAFF11086	681-890-00-01 681 891 00 01	Includes 2 Upper Mounts (GAFF11009), 2 Lower Mounts (GAFF011008) and Hardware

Cab Mount — Kenworth




PART NO.	ID	OD	OD<	LENGTH	NOTES
GAFF11519	5/8 in.	2-7/8 in.	1-13/16 in.	1-5/16 in.	No Metal Sleeve

Cab Mount Kit — Freightliner




PART NO.	OEM REF.	NOTES
GAFF11092	18-45384-000	Includes 2 Lower Mounts and Hardware

Cab Mount — Freightliner, Navistar, Peterbilt



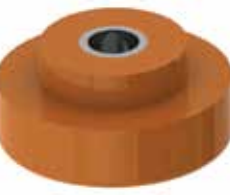
PART NO.	OEM REF.	ID	OD	OD<	LENGTH
GAFF11520	HUN 12004 3401, J7165-1, K066-228, 07-03286	5/8 in.	2-7/8 in.	1-7/8 in.	1-5/16 in.

Cab Mount — Freightliner



PART NO.	OEM REF.	OD	LENGTH	NOTES
GAFF11111	680-891-04-01, 68-08910-401	4-1/8 in.	2-7/16 in.	1/2-13 UNC

Cab Mount — Freightliner, Navistar, Volvo



PART NO.	OEM REF.	ID	OD	OD<	LENGTH
GAFF11523	HUN 12004 3401, J7165-1, K066-251, 07-03286	5/8 in.	2-7/8 in.	1-13/16 in.	1-5/16 in.

CAB MOUNTS


Suspension Components

Cab Mount — Kenworth



PART NO.	OEM REF.	ID	OD	OD<	LENGTH
GAFF11527	K066-177, 05-08968	5/8 in.	2-9/16 in.	1-9/16 in.	2-1/16 in.

Cab Mount — Kenworth



PART NO.	OEM REF.	ID	OD	OD<	LENGTH
GAFF11533	K066-336	5/8 in.	3 in.	1-13/16 in.	1-15/16 in.

Cab Mount — Kenworth



PART NO.	ID	OD	OD<	LENGTH
GAFF11529	7/8 in.	2-7/16 in.	1-9/16 in.	1-7/8 in.

Cab Mount — Kenworth



PART NO.	OEM REF.	ID	OD	OD<	LENGTH
GAFF11612	M500-70NR, K066-177, K066-229	5/8 in.	2-5/8 in.	1-5/8 in.	2-1/16 in.

Cab Mount — Kenworth



PART NO.	ID	OD	OD<	LENGTH
GAFF11531	5/8 in.	2-9/16 in.	1-1/2 in.	2-1/8 in.

Cab Mount — Kenworth, Peterbilt, Volvo



PART NO.	OEM REF.	ID	OD	OD<	LENGTH
GAFF11705	K066-176, 476869C1, 05-14794	5/8 in.	3 in.	1-13/16 in.	2-3/8 in.

Cab Mount — Kenworth



PART NO.	OEM REF.	OD	LENGTH
GAFF11532	K174-225	1-1/8 in.	6-3/4 in.

Cab Mount — Kenworth, Peterbilt, Volvo




PART NO.	OEM REF.	ID	OD	OD<	LENGTH
GAFF11707	CBA28-1050, M501, 05-08968	5/8 in.	2-1/2 in.	1-5/8 in.	2 in.

CAB MOUNTS

Suspension Components

GAFF® Polyurethane Components

Cab Mount — Kenworth




PART NO.	OEM REF.	ID	LENGTH
GAFF11742	26509-11	1-1/2 in.	4-13/16 in.

Cab Mount — Navistar




PART NO.	OEM REF.	ID	OD	LENGTH
GAFF12340	80744666	11/16 in.	2-11/16 in.	4-5/16 in.

Cab Mount — Kenworth



PART NO.	OEM REF.	ID	OD	OD<	LENGTH
GAFF12004	20QL2101	5/8 in.	2-5/8 in.	1-3/8 in.	1-1/2 in.

Torsion Spring Mount — Navistar




PART NO.	OEM REF.	LENGTH	NOTES
GAFF12344	20769319	5-13/16 in.	7/16 in. Bolt Holes

Cab Mount — Kenworth



PART NO.	OEM REF.	ID	LENGTH
GAFF12052	20QL295M	13/16 in.	6 in.

Cab Mount — Kenworth, Peterbilt



PART NO.	OEM REF.	ID	OD	LENGTH	NOTES
GAFF18938	K066-435-3	5/8 in.	3 in.	3-7/16 in.	Use with GAFF11742

Cab Mount, Rear — Navistar



PART NO.	OEM REF.	ID	OD	LENGTH
GAFF12322	66001-3204	5/8 in.	2 in.	4-15/16 in.


Cab Mount — Kenworth





PART NO.	OEM REF.	ID	WIDTH	LENGTH
GAFF18949	26732-2	11/16 in.	2-1/4 in.	6-1/16 in.

CAB MOUNTS

Suspension Components

Cab Mount — Navistar				
				
PART NO.	OEM REF.	OD<	ID	LENGTH
GAFF34515	3515345C1, 3515345C2	3-3/8 in.	25/32 in.	6-3/16 in.

Cab Mount Kit — Navistar			
			
PART NO.	OEM REF.	OD<	LENGTH
GAFF34528	3512064C4, 28398-3	3-3/8 in.	6-3/16 in.

Cab Mount — Navistar				
				
PART NO.	OEM REF.	ID	OD	LENGTH
GAFF34516	3574670C91, 3574671C91, 3574678C1, 3574680C1, 3589599C91, 3844147C91	1/2 in.	2-7/8 in.	3-3/8 in.

Cab Mount — Mack			
			
PART NO.	ID	OD	LENGTH
GAFF34552	11/16 in.	2-7/8 in.	3-5/16 in.

Suspension Components

Carrier Bearing Assembly					
					
PART NO.	OEM REF.	ID	BOLT DIA.	HEIGHT	NOTES
GAFF40074	2106611X, 210661-1X, D4TZ4800J	2-3/8 in.	1/2 in.	3-3/8 in.	1810 Series

Carrier Bearing Bushing	
	
PART NO.	NOTES
GAFF18002	Replacement Bushing for GAFF40074


Carrier Bearing Assembly					
					
PART NO.	OEM REF.	ID	BOLT DIA.	HEIGHT	NOTES
GAFF40075	2101211X, 210121-1X, D4TZ4800G	2 in.	1/2 in.	2-13/16 in.	1710 Series

Carrier Bearing Bushing	
	
PART NO.	NOTES
GAFF18725	Replacement Bushing for GAFF40075

EXHAUST MOUNTS

Suspension Components

Exhaust Bushing — Kenworth/Peterbilt




PART NO.	OEM REF.	ID	LENGTH C-TO-C	WIDTH	NOTES
GAFF11809	M13-1009	15/32 in.	2-3/4 in.	2 in.	3/8 in. Bolt Holes

Exhaust Mount — Peterbilt



PART NO.	OEM REF.	ID	OD	HEIGHT
GAFF12357	14-14656, PB-14656U	3/8 in.	1-5/16 in.	1-1/4 in.

Exhaust Bushing Kit — Kenworth/Peterbilt




PART NO.	OEM REF.	OD	LENGTH	NOTES
GAFF11810	13-6001	1-25/32 in.	7-29/32 in.	2 Qty. GAFF11812 Bushing & 1 Qty. Pin & 1 Qty. Washers & 2 Qty. E-Clips

Exhaust Bushing Kit — Peterbilt



PART NO.	OEM REF.	ID	OD	HEIGHT	NOTES
GAFF12381	14-14656, PB-14656U	3/8 in.	1-5/16 in.	1-1/4 in.	Includes 8 Qty. GAFF12357

Exhaust Bushing Kit — Kenworth/Peterbilt



PART NO.	OEM REF.	NOTES
GAFF11811	M13-6001, M13-1009, CB-2203-73	1 Qty. GAFF11809 Exhaust Mount & 1 Qty. GAFF11810 Exhaust Mount

Exhaust Bushing — Peterbilt



PART NO.	OEM REF.	ID	OD	HEIGHT
GAFF17284	M13-1011	1-5/32 in.	1-15/16 in.	1-3/16 in.

Exhaust Bushing Kit — Kenworth/Peterbilt



PART NO.	ID	OD	LENGTH
GAFF11812	7/16 in.	1-3/4 in.	3/4 in.

Exhaust Mount



PART NO.	ID	OD<	OD	LENGTH
GAFF30504	17/32 in.	1-1/4 in.	2-11/32 in.	1-11/16 in.

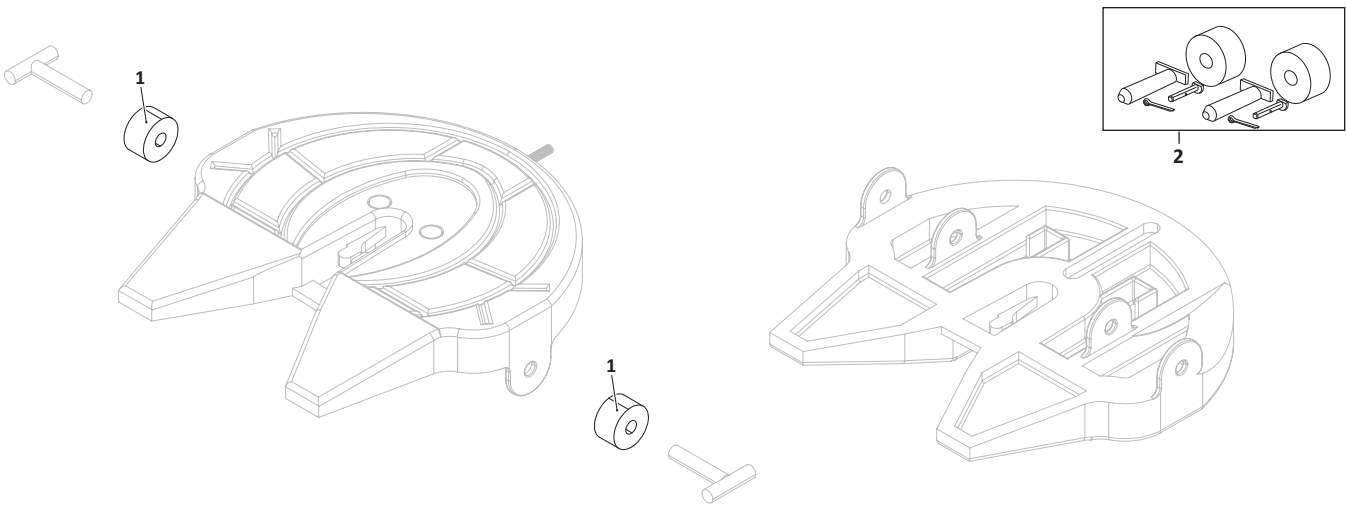
EXHAUST MOUNTS

GAFF® Polyurethane
Components

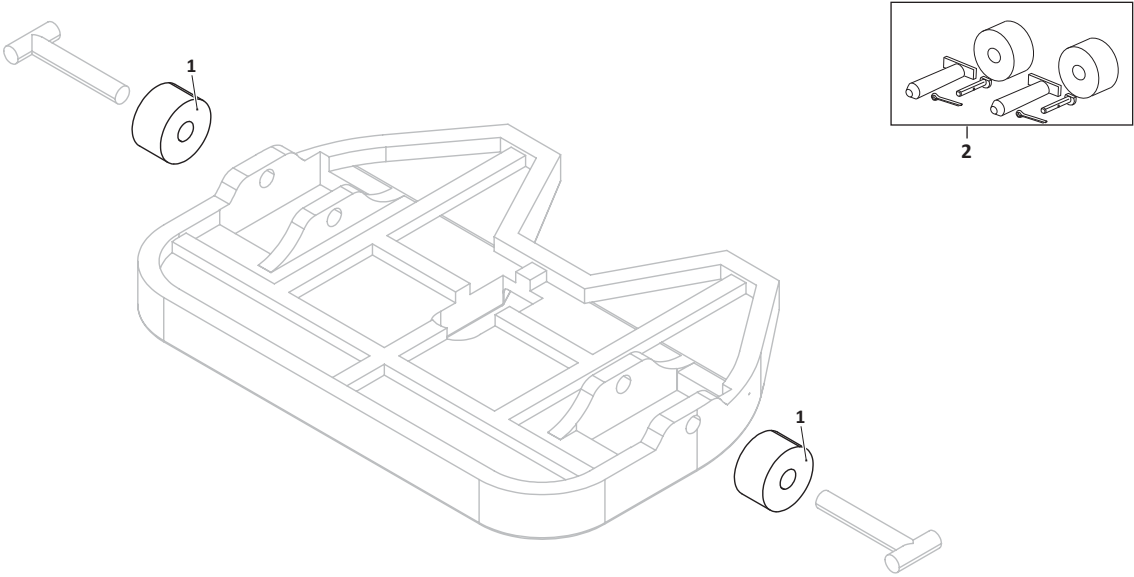
Suspension Components

Exhaust Mount — Volvo				
				
PART NO.	OEM REF.	OD	HEIGHT	NOTES
GAFF31008	6850 149-3	1-15/16 in.	2-3/4 in.	7/16 in.-14 UNC

FIFTH WHEEL BUSHINGS



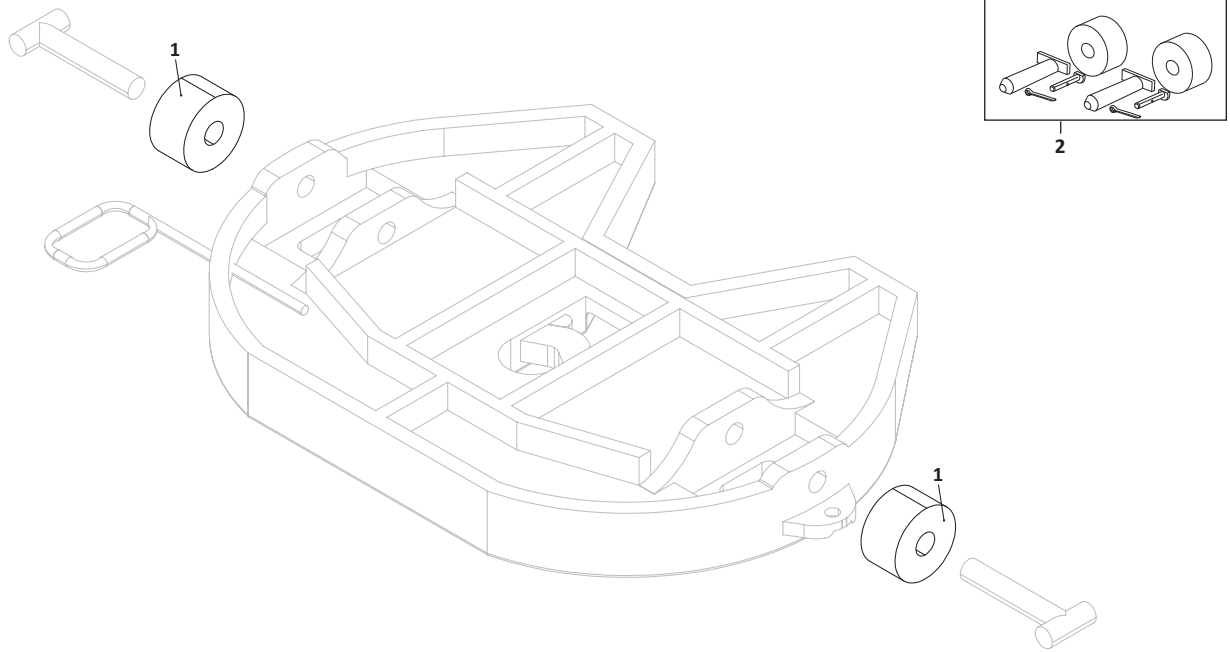
Fontaine H-5092/X-5092 Series				
KEY NO.	GAFF NO.	OEM REF.	DESCRIPTION	QTY PER TANDEM
1	GAFF10002	BSH-150	Fifth Wheel Bushing	2
2	GAFF40141	BSH-150	Fifth Wheel Bushing Kit	1



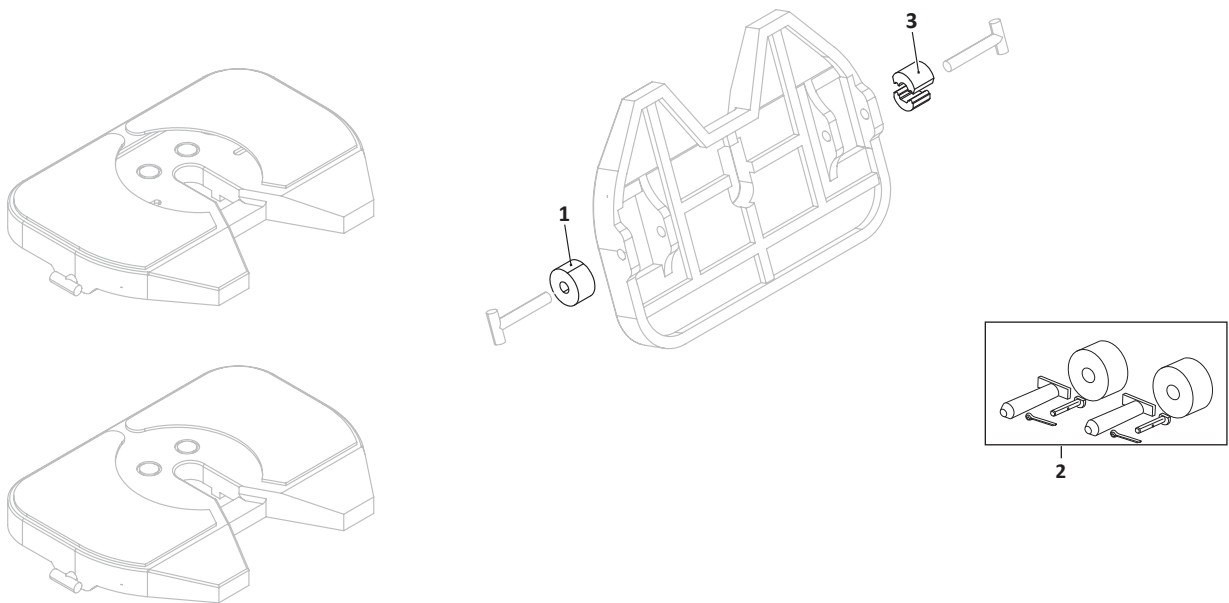
Fontaine CD 600/700 Series				
KEY NO.	GAFF NO.	OEM REF.	DESCRIPTION	QTY PER TANDEM
1	GAFF10002	BSH-150	Fifth Wheel Bushing	2
2	GAFF40141	BSH-150	Fifth Wheel Bushing Kit	1

FIFTH WHEEL BUSHINGS

GAFF® Polyurethane Components

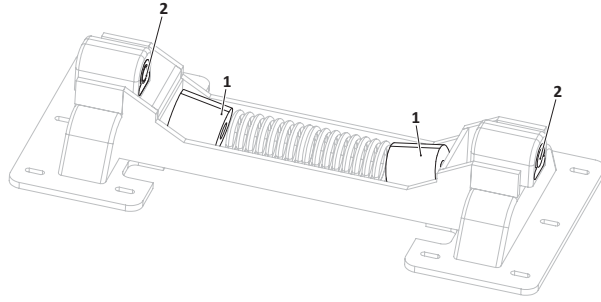
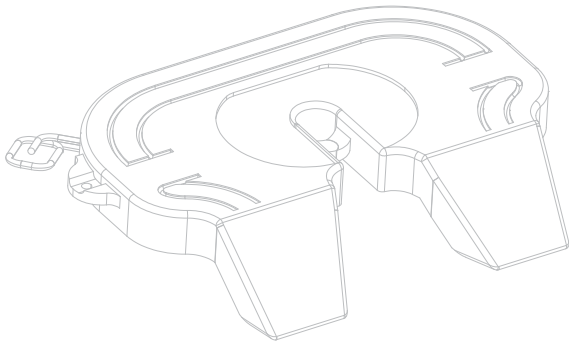


Fontaine TPL3000 Series				
KEY NO.	GAFF NO.	OEM REF.	DESCRIPTION	QTY PER TANDEM
1	GAFF10002	BSH-150	Fifth Wheel Bushing	2
2	GAFF40141	BSH-150	Fifth Wheel Bushing Kit	1



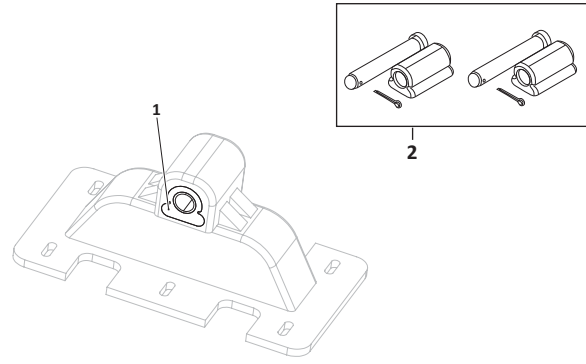
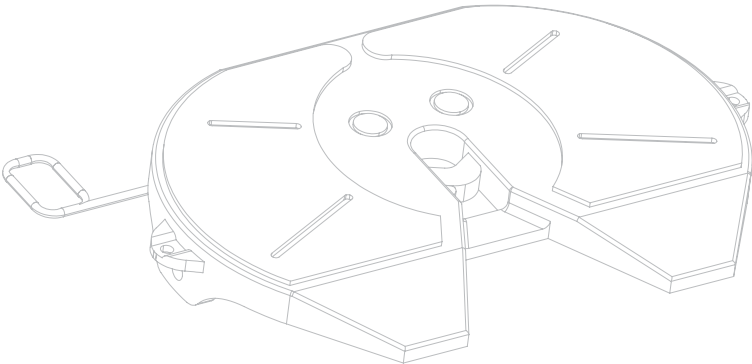
Fontaine TPL6000/7000/7000CC Series				
KEY NO.	GAFF NO.	OEM REF.	DESCRIPTION	QTY PER TANDEM
1	GAFF10002	BSH-150	Fifth Wheel Bushing	2
2	GAFF40141	BSH-150	Fifth Wheel Bushing Kit	1
3	GAFF10079	BSH-109-L	Fifth Wheel Bushing	4

FIFTH WHEEL BUSHINGS



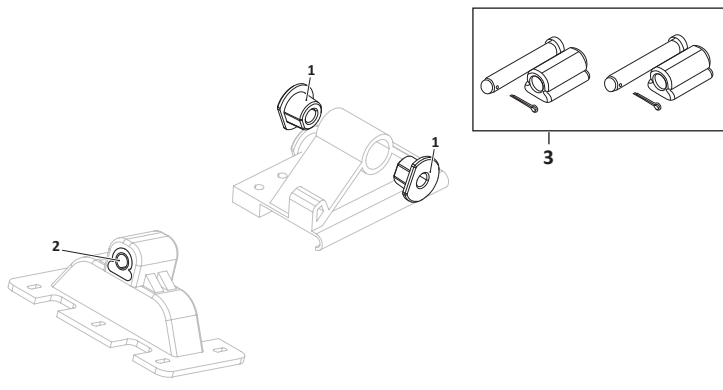
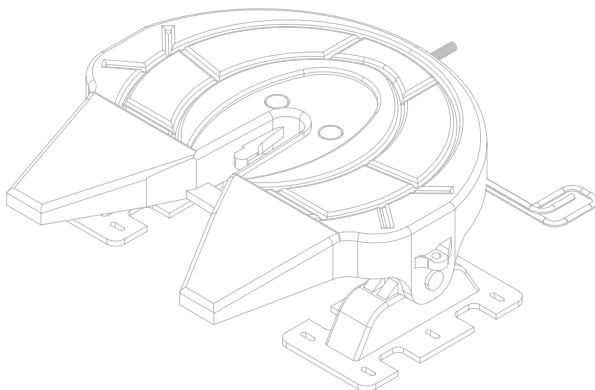
SAF Holland Kompensator

KEY NO.	GAFF NO.	OEM REF.	DESCRIPTION	QTY PER TANDEM
1	GAFF18215	XB0011	Fifth Wheel Bushing	2
2	GAFF18221	XB0009	Fifth Wheel Bushing	2



SAF Holland FW3500 & FW3100

KEY NO.	GAFF NO.	OEM REF.	DESCRIPTION	QTY PER TANDEM
1	GAFF11517	XB-0011-2	Fifth Wheel Bushing	2
	GAFF11724	XB-0012-3	Fifth Wheel Bushing	2
2	GAFF40140	RK004413	Fifth Wheel Bushing Kit	1

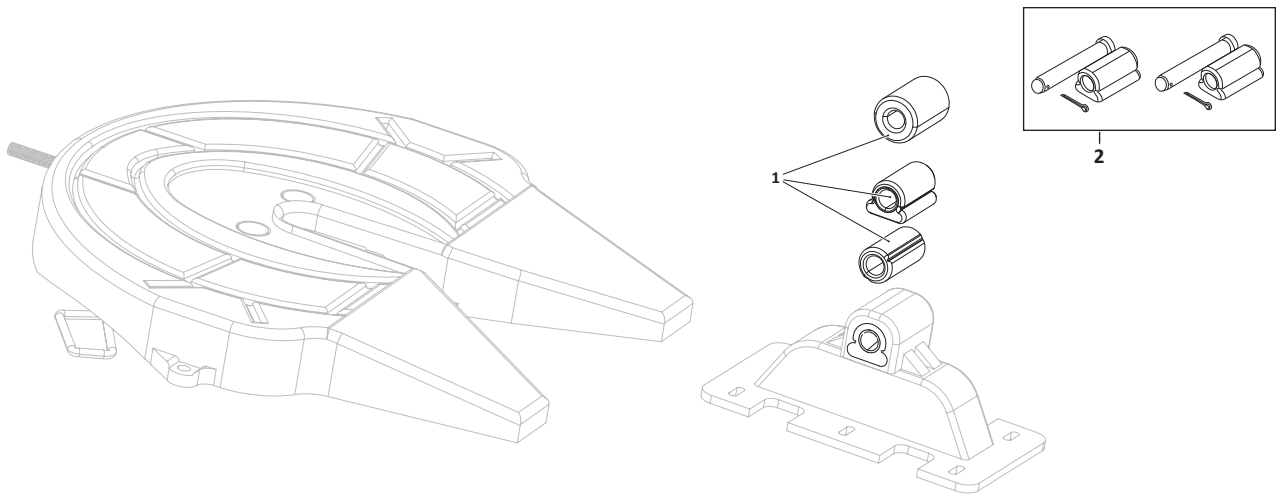


SAF Holland FW17EK & FW3510

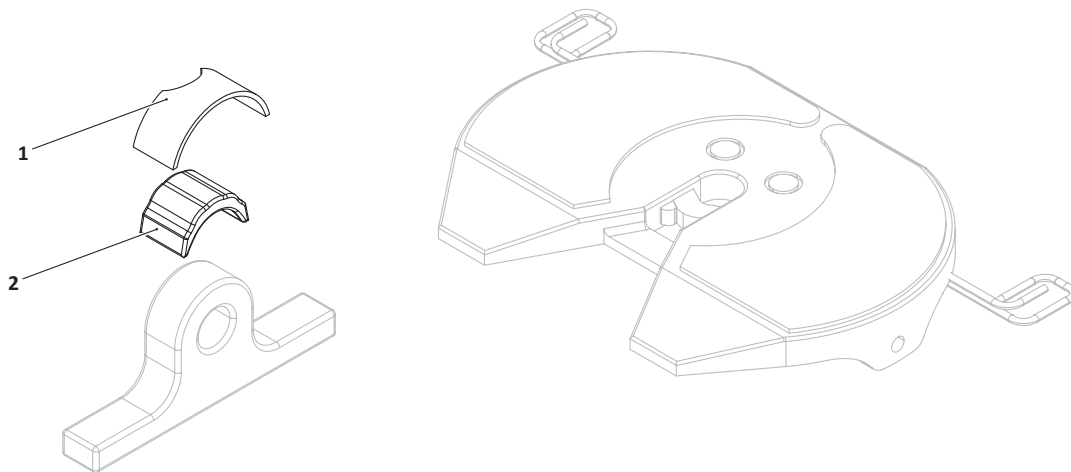
KEY NO.	GAFF NO.	OEM REF.	DESCRIPTION	QTY PER TANDEM
1	GAFF40035	XB10605	Fifth Wheel Bushing	4
2	GAFF11517	XB-0011-2	Fifth Wheel Bushing	2
	GAFF11724	XB-0012-3	Fifth Wheel Bushing	2
3	GAFF40140	RK004413	Fifth Wheel Bushing Kit	1

FIFTH WHEEL BUSHINGS

GAFF® Polyurethane Components



SAF Holland FW070 Series				
KEY NO.	GAFF NO.	OEM REF.	DESCRIPTION	QTY PER TANDEM
1	GAFF11515	XB16045	Fifth Wheel Bushing	2
	GAFF11517	XB-0011-2	Fifth Wheel Bushing	2
	GAFF11724	XB-0012-3	Fifth Wheel Bushing	2
	GAFF18094	XB-0011-1	Fifth Wheel Bushing	2
2	GAFF40140	RK004413	Fifth Wheel Bushing Kit	1




SAF Holland Simplex, Simplex IIR & Simplex Lite				
KEY NO.	GAFF NO.	OEM REF.	DESCRIPTION	QTY PER TANDEM
1	GAFF10080	ASF-0329-47	Fifth Wheel Bushing Pad	2
2	GAFF40056	ATP-0328-03	Fifth Wheel Bushing Pad	2

FIFTH WHEEL BUSHINGS

Suspension Components

Fifth Wheel Bushing — Fontaine



PART NO.	OEM REF.	ID	OD	LENGTH
GAFF10002	BSH-150	1-1/4 in.	4 in.	2-1/4 in.

Fifth Wheel Bushing — SAF Holland



PART NO.	OEM REF.	ID	OD	LENGTH
GAFF18215	XB0011	1-1/8 in.	2 in.	4-1/4 in.

Fifth Wheel Bushing — SAF Holland



PART NO.	OEM REF.	ID	OD	LENGTH
GAFF11515	XB16045	1-1/16 in.	2-13/16 in.	4-1/8 in.

Fifth Wheel Bushing — SAF Holland



PART NO.	OEM REF.	ID	OD	LENGTH
GAFF18221	XB0009	1-1/4 in.	3-1/2 in.	3-3/4 in.

Fifth Wheel Bushing — SAF Holland



PART NO.	OEM REF.	ID	LENGTH	HEIGHT
GAFF11517	XB-0011-2	1-1/8 in.	4-1/4 in.	2-11/32 in.

Fifth Wheel Bushing — SAF Holland



PART NO.	OEM REF.	ID	OD	LENGTH
GAFF40035	XB10605	1-1/8 in.	3-7/8 in.	2-1/8 in.

Fifth Wheel Bushing — SAF Holland



PART NO.	OEM REF.	ID	OD	LENGTH
GAFF18094	XB-0011-1	1-1/8 in.	2-1/8 in.	4-3/8 in.

Fifth Wheel Bushing — SAF Holland




PART NO.	OEM REF.	ID	LENGTH	HEIGHT
GAFF11724	XB-0012-3	1-1/2 in.	4-3/16 in.	2-11/32 in.


FIFTH WHEEL BUSHINGS

GAFF® Polyurethane
Components

Suspension Components

Fifth Wheel Bushing — Fontaine				
				
PART NO.	OEM REF.	ID	OD	LENGTH
GAFF10079	BSH-109-L	1-1/4 in.	3-1/32 in.	2-11/16 in.

Fifth Wheel Bushing Pad — SAF Holland		
		
PART NO.	OEM REF.	LENGTH
GAFF40056	ATP-0328-03	3-15/16 in.

Fifth Wheel Bushing Kit — SAF Holland		
		
PART NO.	OEM REF.	NOTES
GAFF40140	RK004413, RK069731, XB-0011-2, XA-2016	2 Qty. GAFF11517 Fifth Wheel Bushing & 2 Qty. Pin & 2 Qty. Cotter Pin

Fifth Wheel Mount — Jost		
		
PART NO.	OEM REF.	LENGTH
GAFF18708	KP127, SK210525	4-1/2 in.

Fifth Wheel Bushing Kit — Fontaine		
		
PART NO.	OEM REF.	NOTES
GAFF40141	BSH-150	2 Qty. GAFF10002 Bushing & 2 Qty. Pin & 2 Qty. Lock Pin & 2 Qty. Cotter Pin


Fifth Wheel Mount — Jost		
		
PART NO.	OEM REF.	LENGTH
GAFF18709	KP126, SK1259, TT4442	7 in.

Fifth Wheel Bushing Pad — SAF Holland		
		
PART NO.	OEM REF.	LENGTH
GAFF10080	ASF-0329-47	10 in.

HOOD LATCHES & HINGE BUSHINGS

Suspension Components

Hood Guide — Navistar




PART NO.	OEM REF.	OD	LENGTH	NOTES
GAFF10026	1685916C1, 472697C1	2-3/16 in.	2-1/16 in.	3/8 in.-16 UNC

Hood Hinge Bushing — Navistar



PART NO.	ID	OD	LENGTH
GAFF10025	7/8 in.	1-15/16 in.	1-7/16 in.

Hood Guide — Freightliner




PART NO.	OEM REF.	ID	OD	LENGTH
GAFF11020	A17-10464- 001	1/2 in.	4 in.	3 in.

Hood Hinge Bushing — Kenworth



PART NO.	OEM REF.	ID	OD<	OD	LENGTH
GAFF11557	M300- 70NR	1/2 in.	1-1/8 in.	1-3/4 in.	1-5/16 in.

Hood Guide — Freightliner




PART NO.	OEM REF.	LENGTH
GAFF11124	A17-13666-000	3-7/16 in.

Hood Hinge Bushing — Peterbilt



PART NO.	OEM REF.	ID	OD<	OD	LENGTH
GAFF11709	M300-70NR	1/2 in.	1-3/16 in.	1-3/4 in.	1-3/8 in.

Hood Guide — Kenworth, Mack



PART NO.	OEM REF.	OD	OD<	LENGTH	NOTES
GAFF11545	K179-528, K179D450, 70100, 25QM-31, K176-8-6344, K179-499	3-3/16 in.	1-1/2 in.	3-7/8 in.	1/2-13 UNC

Hood Hinge Bushing — Peterbilt



PART NO.	OEM REF.	ID	OD	LENGTH
GAFF12363	13-03593, 13-04588	5/8 in.	1-1/2 in.	1-1/2 in.

Suspension Components

Hood Hinge Bushing — Peterbilt				
				
PART NO.	OEM REF.	ID	OD	LENGTH
GAFF12367	13-03440	1/2 in.	1-5/16 in.	2 in.

Hood Hinge Bushing — Navistar				
				
PART NO.	OEM REF.	ID	OD	LENGTH
GAFF34530	1668960C1	3/8 in.	1-1/2 in.	2-3/16 in.


Hood Hinge Bushing — Peterbilt					
					
PART NO.	OEM REF.	ID	OD<	OD	LENGTH
GAFF12370	13-04154	1/2 in.	1-3/16 in.	1-13/16 in.	5/8 in.

Hood Latch — Navistar	
	
PART NO.	LENGTH
GAFF10024	5-7/8 in.

Hood Hinge Bushing — Freightliner				
				
PART NO.	OEM REF.	ID	OD	LENGTH
GAFF11019	J17700-5, LORJ17002, J17002	1/2 in.	1-3/8 in.	2-3/16 in.


Hood Latch — Freightliner		
		
PART NO.	OEM REF.	LENGTH
GAFF11102	17-12434-000	10-15/16 in.


Hood Hinge Bushing — Freightliner, Mack					
					
PART NO.	OEM REF.	ID	OD<	OD	LENGTH
GAFF11544	CB1121-10, 20QL231P1	1/2 in.	1-1/4 in.	1-3/4 in.	1-1/4 in.

Hood Latch — Freightliner, Peterbilt			
			
PART NO.	OEM REF.	LENGTH	NOTES
GAFF11103	680-880-01-60, 37-41-295-80	11-5/8 in.	Includes GAFF12365 Latch and Hinge

HOOD LATCHES & HINGE BUSHINGS

Suspension Components


Hood Latch — Freightliner			
			
PART NO.	OEM REF.	LENGTH	NOTES
GAFF11104	LH17-12435-000	11-1/4 in.	Includes Mount, Left Hand


Hood Latch — Freightliner			
			
PART NO.	OEM REF.	LENGTH	NOTES
GAFF11176	17-12434-000	10-15/16 in.	Includes GAFF11102 Latch and Hinge


Hood Latch — Freightliner			
			
PART NO.	OEM REF.	LENGTH	NOTES
GAFF11105	RH17-12435-000, RH17-12435-001	11-1/4 in.	Includes Mount, Right Hand

Hood Latch — Kenworth, Peterbilt		
		
PART NO.	OEM REF.	LENGTH
GAFF11543	K147-107, K147C106	9-3/32 in.

Hood Latch — Freightliner			
			
PART NO.	OEM REF.	LENGTH	NOTES
GAFF11106	RH17-15553-001	11-1/4 in.	Includes Mount, Right Hand


Hood Latch — Kenworth		
		
PART NO.	OEM REF.	LENGTH
GAFF11768	37-99-344, 37-41-295-60	10-3/4 in.


Hood Latch — Freightliner			
			
PART NO.	OEM REF.	LENGTH	NOTES
GAFF11107	LH17-15553-001, 17-15553-000	11-1/4 in.	Includes Mount, Left Hand

Hood Latch — Freightliner, Kenworth, Peterbilt		
		
PART NO.	OEM REF.	LENGTH
GAFF12365	680-880-01-60, L56-0001, 23-13857	8-7/8 in.


Suspension Components


Hood Latch Assembly — Navistar		
		
PART NO.	OEM REF.	LENGTH
GAFF10506	1699929C9, 499523C3, 16899930C91	8 in.

Hood Latch Hook — Freightliner		
		
PART NO.	OEM REF.	LENGTH
GAFF11097	681-887-24-14, 8574 FL, 1431 000 87002, 67101-3418	3-9/16 in.


Hood Latch Assembly — Kenworth			
			
PART NO.	OEM REF.	LENGTH	NOTES
GAFF11134	L56-0001, 23-13857	4-3/16 in.	Use GAFF11851 for Latch and Hook

Hood Latch Hook — Freightliner		
		
PART NO.	OEM REF.	LENGTH
GAFF11109	17-14781-000	3-27/32 in.

Hood Latch Assembly — Freightliner			
			
PART NO.	OEM REF.	LENGTH	NOTES
GAFF11185	17-12348-000, 17-12434-000	10-15/16 in.	Includes GAFF11096 Hook and GAFF11176 Latch

Hood Latch Assembly — Kenworth, Peterbilt			
			
PART NO.	OEM REF.	LENGTH	NOTES
GAFF11851	L56-0001, 23-13857, L03-0001	4-3/16 in.	Includes 1 Qty. GAFF11097 Hood hook, 1 Qty. GAFF11134 Latch, includes metal bracket

Hood Latch Hook — Freightliner			
			
PART NO.	OEM REF.	LENGTH	NOTES
GAFF11096	17-12434-000	4-7/8 in.	Includes 1 Qty. GAFF 11096 Hood hook, 1 Qty. GAFF11176 Latch, includes metal bracket

Hood Mount — Peterbilt				
				
PART NO.	OEM REF.	WIDTH	HEIGHT	LENGTH
GAFF12359	13-03510, 13-04711	1-15/16 in.	2-3/8 in.	3-1/8 in.


Suspension Components

Hood Mount — Peterbilt




PART NO.	OEM REF.	WIDTH	HEIGHT	LENGTH
GAFF12364	13-04711, 13-03510	2-3/8 in.	2 in.	3-1/8 in.


Suspension Components

Motor Mount — Freightliner		
		
PART NO.	OEM REF.	ID
GAFF11065	J20941-3	21/32 in.

Motor Mount — Freightliner				
				
PART NO.	OEM REF.	ID	OD	LENGTH
GAFF11725	CBA24-650-17	5/8 in.	2-3/8 in.	2-3/32 in.

Motor Mount — Freightliner		
		
PART NO.	OEM REF.	NOTES
GAFF11074	BCD 26704 1, BCD 276511, BCD 27651 3, BCD 27651-1, BCD 27651-2 BCD 28945-1	Includes 1 Upper Mount and 1 Lower Mount

Motor Mount — Mack					
					
PART NO.	OEM REF.	ID	OD	LENGTH	NOTES
GAFF12000	20QL1175, 20QL1118A	3/4 in.	3-1/4 in.	2 in.	1-5/32 in.

Motor Mount — Freightliner			
			
PART NO.	OEM REF.	ID	LENGTH
GAFF11077	BCD 27330-1, BCD 288051	13/16 in.	9-7/8 in.

Motor Mount — Mack					
					
PART NO.	OEM REF.	ID	OD	LENGTH	NOTES
GAFF12002	20QL2110, 20QL258	7/8 in.	3-1/2 in.	2-1/4 in.	3 in.

Motor Mount — Freightliner			
			
PART NO.	OEM REF.	ID	OD
GAFF11112	J-19791	1-5/16 in.	3-5/16 in.

Motor Mount — Peterbilt					
					
PART NO.	OEM REF.	ID	OD	OD<	LENGTH
GAFF12355	05-08968	5/8 in.	2-1/2 in.	1-5/8 in.	2 in.

MOTOR MOUNTS


Suspension Components

Motor Mount — Peterbilt




PART NO.	OEM REF.	ID	OD	OD<	LENGTH
GAFF12356	05-10197	13/16 in.	2-11/16 in.	1-9/16 in.	2-7/16 in.

Motor Mount — Peterbilt



PART NO.	OEM REF.	ID	OD	OD<	LENGTH
GAFF18786	05-18263, CB2203-2	15/16 in.	3-7/16 in.	1-15/32 in.	2-7/8 in.

Motor Mount — Peterbilt



PART NO.	OEM REF.	ID	OD	OD<	LENGTH	NOTES
GAFF12360	20-08257, 20-08867	5/8 in.	3-1/8 in.	1-13/16 in.	2-3/4 in.	Includes mounts and spacer

Motor Mount — Navistar




PART NO.	OEM REF.	ID	OD
GAFF34507	1664730C5, 1664730C7, 2014777C2, 1664726C2	5/8 in.	3 in.

Motor Mount — Peterbilt



PART NO.	OEM REF.	ID	OD	LENGTH
GAFF12368	CB2203-70, CB2203-77, CB2203-78	3/4 in.	2-17/32 in.	2-3/8 in.

Motor Mount Kit — Freightliner




PART NO.	OEM REF.	ID	OD	LENGTH	NOTES
GAFF11018	SSB3310018, 01-15047-000, LORSSB3310017, LORSSB3310018	3/4 in.	3-1/4 in.	2-1/4 in.	Includes 1 Upper Mount, 1 Lower Mount and 1 Spacer Sleeve

Motor Mount — Peterbilt



PART NO.	OEM REF.	ID	OD	LENGTH
GAFF12369	CB2203-72	5/8 in.	2-17/32 in.	2-3/8 in.


Motor Mount Kit — Freightliner



PART NO.	OEM REF.	ID	OD	LENGTH	NOTES
GAFF11085	CBA24-650-17	5/8 in.	2-3/8 in.	2-3/32 in.	Includes 4 GAFF11725 Motor Mounts and Hardware


Suspension Components

Motor Mount Kit — Freightliner




PART NO.	OEM REF.	ID	OD	LENGTH	NOTES
GAFF11087	SSB3310018, SSB3310017, 01-15047-000	3/4 in.	3-1/4 in.	2-1/4 in.	Includes 2 GAFF11018 Motor Mount Kits and Hardware

Motor Mount Kit — Freightliner




PART NO.	OEM REF.	NOTES
GAFF11113	J20120-4, J-20120, J-19791, 17-1843, J197911, J201204	Includes 1 Upper Motor Mount and 1 Lower Motor Mount

Motor Mount Kit — Freightliner




PART NO.	OEM REF.	ID	NOTES
GAFF11088	J20941-3, LOR J20941-3-6, LORJ209417, J20941-4	21/32 in.	Includes 2 GAFF11065 Motor Mounts and Hardware

Motor Mount Kit — Mack




PART NO.	OEM REF.	NOTES
GAFF12034	204SX216, 20QL1175, 20QL1118A	8 Qty. GAFF12000 Motor Mount & 4 Qty. 3/4 in.-16 UNF x 6-1/2 in. Bolts & 4 Qty. Nylon Insert Nut & 8 Qty. Washer

Motor Mount Kit — Freightliner




PART NO.	OEM REF.	ID	LENGTH	NOTES
GAFF11089	BCD 27330-1	13/16 in.	9-7/8 in.	Includes 2 GAFF11077 Motor Mounts and Hardware

Motor Mount Kit — Mack




PART NO.	OEM REF.	NOTES
GAFF12035	204SX389	8 Qty. GAFF12000 Motor Mount & 4 Qty. 3/4 in.-16 UNF x 5 in. Bolts & 4 Qty. Nylon Insert Nut & 8 Qty. Washer

Motor Mount Kit — Freightliner



PART NO.	OEM REF.	NOTES
GAFF11090	BCD 28945-1, BCD267041, BCD276511, BCD276513	Includes 2 GAFF11074 Motor Mount Kits and Hardware

Motor Mount Kit — Navistar



PART NO.	OEM REF.	LENGTH	NOTES
GAFF34500	1664728C1, 1664728C2	5-1/2 in.	1 Qty. GAFF34508 Motor Mount Rear & 1 Qty. GAFF34593 Motor Mount, (Lower)

MOTOR MOUNTS

Suspension Components

Motor Mount Kit, Front — Kenworth, Peterbilt



PART NO.	OEM REF.	NOTES
GAFF11762	K066-385, K066-404, K066-406, K066-407	2 Qty. GAFF11615 Motor Mount Kit, Front & 2 Qty. Bolts & 2 Qty. Nylon Insert Nut & 4 Qty. Washer

Motor Mount Kit, Front — Navistar



PART NO.	OEM REF.	ID	LENGTH	NOTES
GAFF34510	1664724C3, BCD274772	13/16 in.	7 in.	1 Qty Upper Mount & 1 Qty Lower Mount

Motor Mount Kit, Front — Mack



PART NO.	OEM REF.	LENGTH	NOTES
GAFF12045	20QL322, 20QL329, 25164809, 25172757	7-1/4 in.	1 Qty. Upper Motor Mount & 1 Qty. Lower Motor Mount

Motor Mount Kit, Front — Navistar



PART NO.	OEM REF.	NOTES
GAFF34526	1664723C2, 1664723C3, 1664724C2	2 Qty. GAFF34569 Motor Mount (Upper) & 2 Qty. GAFF34593 Motor Mount, (Lower) & 2 Qty. 5/8-18 UNF Bolts & 2 Qty. Nut & 2 Qty. Washer

Motor Mount Kit, Front — Mack



PART NO.	OEM REF.	ID	OD	LENGTH	NOTES
GAFF12047	20QL312M2	5/8 in.	2-5/8 in.	1-1/16 in.	2 Qty. GAFF12046 Motor Mount, Front & 1 Qty. Spacer Sleeve

Motor Mount Kit, Rear — Kenworth, Peterbilt



PART NO.	OEM REF.	NOTES
GAFF11761	K066-247, K066-282, K066-320, 05-15646	2 Qty. GAFF11539 Motor Mount & 4 Qty. Bolts & 4 Qty. Nut & 8 Qty. Washers

Motor Mount Kit, Front — Navistar



PART NO.	OEM REF.	ID	LENGTH	NOTES
GAFF34509	1664723C1, 1664723C2, 1664723C3, 1664724C1, 1664724C2	11/16 in.	4-1/16 in.	1 Qty. GAFF34569 Motor Mount, (Upper) & 1 Qty. GAFF34593 Motor Mount, (Lower)

Motor Mount Kit, Rear — Navistar



PART NO.	OEM REF.	NOTES
GAFF34524	1664728C1, 1664728C2	2 Qty. GAFF34508 Motor Mount (Upper) & 2 Qty. GAFF34593 Motor Mount, (Lower) & 2 Qty. 5/8-18 UNF Bolts & 2 Qty. Nut & 2 Qty. Washer


Suspension Components

Motor Mount Kit, Rear — Navistar




PART NO.	OEM REF.	NOTES
GAFF34525	1664729C1, 1664730C5, 1664729C4	2 Qty. GAFF34510 Motor Mount Kit & 2 Qty. 3/4-16 UNF Bolts & 2 Qty. Nylon Insert Nut & 4 Qty. Washer

Motor Mount, Front — Kenworth




PART NO.	ID	OD	LENGTH
GAFF11536	27/32 in.	3-11/16 in.	2-1/2 in.

Motor Mount Kit, Rear — Navistar



PART NO.	OEM REF.	ID	LENGTH	NOTES
GAFF34529	3549169C1, 3549169C2	11/16 in.	5 in.	1 Qty Upper Mount & 1 Qty Lower Mount

Motor Mount, Front — Kenworth, Peterbilt




PART NO.	OEM REF.	ID	OD<	OD	LENGTH
GAFF11537	K066-229, 05-08969, 05-10103, 05-16401	3/4 in.	2-1/16 in.	3-3/4 in.	2-1/2 in.

Motor Mount, Front — Navistar



PART NO.	OEM REF.	ID	OD	OD<	LENGTH
GAFF10020	753997C91, 753997C92, 753997C93	5/8 in.	3 in.	1-15/16 in.	2-3/16 in.

Motor Mount, Front — Peterbilt




PART NO.	OEM REF.	ID	OD	OD<	LENGTH	NOTES
GAFF11613	05-08969, 05-10103, 05-16401	3/4 in.	3-13/16 in.	2-1/6 in.	2-9/16 in.	With Metal Sleeve

Motor Mount, Front — Navistar



PART NO.	OEM REF.	ID	OD	OD<	LENGTH
GAFF10503	470031C2	5/8 in.	2-13/16 in.	1-1/12 in.	2-3/8 in.

Motor Mount, Front — Kenworth, Peterbilt



PART NO.	OEM REF.	ID	OD	OD<	LENGTH	NOTES
GAFF11615	K066-404, K066-405, K066-406, K066-407, K066-423	13/16 in.	3-1/2 in.	2 in.	2-1/4 in.	Includes 1 Qty. Upper Motor Mount & 1 Qty. Lower Motor Mount, Use GAFF11762 for Complete Kit

MOTOR MOUNTS


Suspension Components

Motor Mount, Front — Mack




PART NO.	OEM REF.	ID	OD<	OD	LENGTH
GAFF12046	20QL312M2	11/16 in.	1-7/16 in.	2-5/8 in.	1-1/16 in.

Motor Mount, Front — Navistar




PART NO.	OEM REF.	ID	LENGTH	LENGTH C-TO-C
GAFF30517	AZ-14840-06, 17-1780	11/16 in.	6-1/4 in.	5-1/8 in.

Motor Mount, Front — Volvo




PART NO.	OEM REF.	ID	OD	LENGTH	NOTES
GAFF12304	12005-001, 12005-3207, 12005-3208, 12005-0002	5/8 in.	2-13/16 in.	10 in.	5/8 in. Bolt Holes

Motor Mount, Front — Navistar



PART NO.	ID	OD	LENGTH
GAFF30518	11/16 in.	2-7/16 in.	21/32 in.

Motor Mount, Front — Volvo



PART NO.	OEM REF.	ID	OD
GAFF12305	12005-3208, 12005-0002, 3081659	5/8 in.	2-13/16 in.

Motor Mount, Rear — Navistar



PART NO.	OEM REF.	ID	OD	LENGTH
GAFF10075	507569C91, 503579C1, 503837C1	1-1/2 in.	3 in.	3 in.

Motor Mount, Front — Peterbilt




PART NO.	OEM REF.	ID	OD	OD<	LENGTH
GAFF18102	05-16919	3/4 in.	3-5/8 in.	2-3/16 in.	2-7/16 in.

Motor Mount, Rear — Navistar





PART NO.	OEM REF.	ID	OD	OD<	LENGTH
GAFF10505	479237C1, 583955C1, 14003030, 14003052	5/8 in.	3-1/16 in.	1-5/8 in.	2-5/8 in.

Suspension Components


Motor Mount, Rear — Freightliner		
		
PART NO.	OEM REF.	LENGTH
GAFF11014	-	3-5/16 in.


Motor Mount, Rear — Mack					
					
PART NO.	OEM REF.	ID	OD	OD<	LENGTH
GAFF12023	20QL324M	7/8 in.	3-5/8 in.	2-5/16 in.	1-15/16 in.

Motor Mount, Rear — Kenworth, Peterbilt				
				
PART NO.	OEM REF.	ID	LENGTH	NOTES
GAFF11539	K066-247, 05-15646, K066-320, M506-70NR	5/8 in.	5-3/4 in.	Used in GAFF11761

Motor Mount, Rear — Volvo		
		
PART NO.	OEM REF.	LENGTH
GAFF12301	04-9009997	6-1/4 in.

Motor Mount, Rear — Peterbilt			
			
PART NO.	OEM REF.	ID	LENGTH
GAFF11614	05-15646, K066-320, K056-70NR, M506-70NR	5/8 in.	5-9/16 in.

Motor Mount, Rear — Mack			
			
PART NO.	OEM REF.	LENGTH	NOTES
GAFF12372	20QL338M	8-7/8 in.	1-1/4-12 UNF

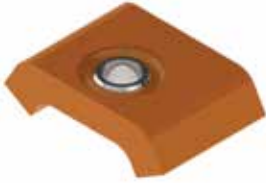
Motor Mount, Rear — Kenworth		
		
PART NO.	OEM REF.	NOTES
GAFF11760	K066-377, K066-391, K066-421, D13-1001-1	2 Qty. GAFF11541 Motor Mount & 2 Qty. GAFF11540 Motor Mount Rear & 2 Qty. Bolts & 2 Qty. Nylon Insert Nut & 8 Qty. Washer

Motor Mount, Rear — Volvo		
		
PART NO.	OEM REF.	LENGTH
GAFF16009	2422749	5-1/2 in.

MOTOR MOUNTS

Suspension Components

Motor Mount, Rear (Lower) — Kenworth



PART NO.	OEM REF.	ID	LENGTH	NOTES
GAFF11541	K066-421, D13-1001-1	13/16 in.	4-3/16 in.	Use GAFF11760 for Complete Kit

Motor Mount, Rear (Upper) — Kenworth





PART NO.	OEM REF.	ID	LENGTH	NOTES
GAFF11540	K066-377, K066-391, D13-1001-1	13/16 in.	7-7/8 in.	Use GAFF11760 for Complete Kit


RADIATOR MOUNTS


GAFF® Polyurethane Components


Suspension Components


Radiator Mount — Freightliner					
					
PART NO.	OEM REF.	ID	OD	LENGTH	NOTES
GAFF11021	05-16070-000	7/8 in.	2-31/32 in.	1-13/16 in.	Includes 1 Upper Mount, 1 Lower Mount and 1 Spacer Sleeve


Radiator Mount — Freightliner			
			
PART NO.	OEM REF.	LENGTH	NOTES
GAFF11129	BCD 28721-1, BCD-28847-1	4 in.	1/2-13 in. UNC Thread


Radiator Mount — Freightliner				
				
PART NO.	OEM REF.	LENGTH	HEIGHT	NOTES
GAFF11117	A6805040382, LOR SM1035 9, A6805040182	3-15/16 in.	1-5/8 in.	3/4 in. x 1 in. UNC

Air Cooler Mount — Kenworth/Peterbilt					
					
PART NO.	OEM REF.	ID	OD	OD<	LENGTH
GAFF11554	M200-70EP 13-01633	3/8 in.	1-1/8 in.	3/4 in.	7/8 in.

Radiator Mount — Freightliner				
				
PART NO.	OEM REF.	LENGTH	HEIGHT	NOTES
GAFF11144	A6805040382	3-15/16 in.	2-1/8 in.	3/4 in. x 1 in. UNC

Radiator Mount — Kenworth				
				
PART NO.	ID	OD	LENGTH	NOTES
GAFF11548	1/2 in.	1-5/8 in.	1-3/8 in.	1 Qty. Upper Radiator Mount & 1 Qty. Lower Radiator Mount

Radiator Mount — Freightliner					
					
PART NO.	OEM REF.	ID	OD<	OD	LENGTH
GAFF18837	CB1121-10	5/8 in.	1-5/16 in.	2 in.	1-1/4 in.

Radiator Mount — Kenworth					
					
PART NO.	OEM REF.	ID	OD	OD<	LENGTH
GAFF11549	K264-84	5/8 in.	1-5/8 in.	13/16 in.	13/16 in.

RADIATOR MOUNTS


Suspension Components

Air Cooler Mount — Mack




PART NO.	OEM REF.	ID	OD	LENGTH
GAFF12049	20QL37P3	3/8 in.	1-1/4 in.	1-1/16 in.

Radiator Mount — Navistar




PART NO.	OEM REF.	ID	OD	LENGTH
GAFF10011	987395A2	5/8 in.	1-9/16 in.	13/16 in.

Radiator Mount — Mack




PART NO.	OEM REF.	ID	OD	LENGTH
GAFF12026	25121334, 20QL295, 20QL295M	5/8 in.	2-1/2 in.	2-1/2 in.

Radiator Mount — Navistar




PART NO.	OEM REF.	ID	OD	OD<	LENGTH
GAFF18063	270203C1	1/2 in.	1-5/8 in.	13/16 in.	3/4 in.

Radiator Mount — Mack




PART NO.	OEM REF.	ID	OD	LENGTH
GAFF12032	20QL259A	9/16 in.	1-7/8 in.	1-13/16 in.

Radiator Mount — Navistar




PART NO.	OEM REF.	ID	OD<	OD	LENGTH
GAFF34545	3560-217-C, 3560-217-C1, 3560-217-C2, 3560-217-C3	1/2 in.	1-7/32 in.	2-1/16 in.	1-1/8 in.

Radiator Mount — Mack



PART NO.	OEM REF.	ID	OD	OD<	LENGTH
GAFF18837	20QL231P1, 20QL231P12	5/8 in.	2 in.	1-5/16 in.	1-1/4 in.

Radiator Bushing — Peterbilt




PART NO.	OEM REF.	ID	OD	OD<	LENGTH
GAFF12366	07-02552	5/8 in.	1-3/16 in.	1 in.	23/32 in.

TORQUE RODS

GAFF® Polyurethane Components


Suspension Components

Torque Rod Assembly — Freightliner




PART NO.	OEM REF.	BOLT DIA.	LENGTH	NOTES
GAFF11078	681-326-67-16	5/8 in.	23-13/16 in.	Includes 2 Qty GAFF11004

Torque Rod Assembly — Hendrickson




PART NO.	OEM REF.	BOLT DIA.	LENGTH	NOTES
GAFF11773	K195-474	11/16 in.	19-3/4 in.	Includes 2 Qty GAFF11729 Bushings

Torque Rod Assembly — Freightliner



PART NO.	OEM REF.	BOLT DIA.	LENGTH	NOTES
GAFF11081	16-16749-002	5/8 in.	24-7/32 in.	Includes 2 Qty GAFF11004

Torque Rod Assembly — Kenworth



PART NO.	OEM REF.	BOLT DIA.	LENGTH	NOTES
GAFF11751	K195-375	5/8 in.	24 in.	Includes 2 Qty GAFF13520 Bushings

Torque Rod Assembly — Hendrickson




PART NO.	OEM REF.	BOLT DIA.	LENGTH	NOTES
GAFF13735	62007-365	5/8 in.	14-3/8 in.	Straddle Mount Bushings

Torque Rod Assembly — Kenworth




PART NO.	OEM REF.	BOLT DIA.	LENGTH	NOTES
GAFF11792	C65-6002, C65-6009	5/8 in.	25-9/16 in.	Includes 2 Qty GAFF13521 Bushings

Torque Rod Assembly — Hendrickson



PART NO.	OEM REF.	BOLT DIA.	LENGTH	NOTES
GAFF13733	62350-615	5/8 in. & 1-1/4-12 UNF	24-1/4 in.	Includes 1 Qty GAFF13520 & 1 Qty GAFF13518 Bushings

Torque Rod Assembly — Kenworth




PART NO.	OEM REF.	BOLT DIA.	LENGTH	NOTES
GAFF11793	C65-1008, C65-1009	11/16 in.	20-1/4 in.	Includes 2 Qty GAFF11729 Bushings

TORQUE RODS


Suspension Components

Torque Rod Assembly — Kenworth




PART NO.	OEM REF.	BOLT DIA.	LENGTH	NOTES
GAFF11795	C65-6000-002, C65-6011-002	5/8 in.	24-11/16 in.	Includes 1 Qty GAFF13521 & 1 Qty GAFF14010 Bushings

Torque Rod Assembly — Kenworth, Navistar, Mack




PART NO.	OEM REF.	BOLT DIA.	THD	LENGTH	NOTES
GAFF11080	25164994, 17QF455P240, K195-376	5/8 in.	1-1/4- 12 UNF	24 in.	Includes 1 Qty GAFF13520 & 1 QTY GAFF13518 Bushings

Torque Rod Assembly — Kenworth




PART NO.	OEM REF.	BOLT DIA.	LENGTH	NOTES
GAFF12397	C65-6000-001, C65-6011-001	5/8 in.	23-3/4 in.	Includes 1 Qty GAFF13521 & 1 Qty GAFF14091 Bushings

Torque Rod Assembly — Mack




PART NO.	OEM REF.	BOLT DIA.	LENGTH	NOTES
GAFF12069	251170832, 17QF460P210, 17QF473M2, 17QF474P209	5/8 in.	21 in.	Includes 2 Qty GAFF13520 Bushings

Torque Rod Assembly — Kenworth, Hendrickson



PART NO.	OEM REF.	BOLT DIA.	LENGTH	NOTES
GAFF13679	925150 62350- 635	5/8 in. & 1-1/4-12 UNF	25 in.	Includes 1 Qty GAFF13520 & 1 Qty GAFF13518 Bushings

Torque Rod Assembly — Mack




PART NO.	OEM REF.	BOLT DIA.	LENGTH	NOTES
GAFF12070	17QF460P200, 17QF473M, 3226713, 25170831	5/8 in.	20 in.	Includes 2 Qty GAFF13520 Bushings

Torque Rod Assembly — Kenworth



PART NO.	OEM REF.	BOLT DIA.	LENGTH	NOTES
GAFF13735	32271-102, 62007- 365, 50376-001, 48411-008	5/8 in.	14-3/8 in.	Includes 2 Qty GAFF13520 Bushings


Torque Rod Assembly — Mack



PART NO.	OEM REF.	BOLT DIA.	LENGTH	NOTES
GAFF12071	17QF460P243, 25170833, 62000-615	5/8 in.	24-3/16 in.	Includes 2 Qty GAFF13520 Bushings


Suspension Components

Torque Rod Assembly — Mack




PART NO.	OEM REF.	BOLT DIA.	LENGTH	NOTES
GAFF12072	17QF464P180, 1RY48P23, 17QF251P11, 25162529	5/8 in. & 1-1/4-12 UNF	18 in.	Includes 1 Qty GAFF13520 & 1 QTY GAFF12031 Bushings

Torque Rod Assembly — Mack




PART NO.	OEM REF.	BOLT DIA.	LENGTH	NOTES
GAFF13634	25174706, 17QF460P220	11/16 in.	22 in.	Includes 2 Qty GAFF11729 Bushings

Torque Rod Assembly — Mack




PART NO.	OEM REF.	BOLT DIA.	LENGTH	NOTES
GAFF12073	25174658, 17QF460P215	5/8 in.	21-1/2 in.	Includes 2 Qty GAFF13520 Bushings

Torque Rod Assembly — Mack



PART NO.	OEM REF.	BOLT DIA.	LENGTH	NOTES
GAFF13733	62350-615, 25171605, 17QF455P243	5/8 in. & 1-1/4-12 UNF	14-3/8 in.	Includes 1 Qty GAFF13520 & 1 QTY GAFF13518 Bushings

Torque Rod Assembly — Mack




PART NO.	OEM REF.	BOLT DIA.	LENGTH	NOTES
GAFF12074	25160749, 25164945, 17QF457P238, 17QF460P238	11/16 in.	23-3/4 in.	Includes 2 Qty GAFF11729 Bushings

Torque Rod Assembly — Mack




PART NO.	OEM REF.	BOLT DIA.	LENGTH	NOTES
GAFF13735	17QF357M	5/8 in.	14-3/8 in.	Includes 2 Qty GAFF13520 Bushings

Torque Rod Assembly — Mack, Hendrickson



PART NO.	OEM REF.	BOLT DIA.	LENGTH	NOTES
GAFF12396	4000-62010455	5/8 in.	17-5/16 in.	Includes 2 Qty GAFF13520 Bushings

Torque Rod Assembly — Mack




PART NO.	OEM REF.	BOLT DIA.	LENGTH	NOTES
GAFF34555	4000-62350645	5/8 in. & 1-1/4-12 UNF	25-1/4 in.	Includes 1 Qty GAFF13520 & 1 QTY GAFF13518 Bushings

TORQUE RODS


Suspension Components

Torque Rod Assembly — Mack




PART NO.	OEM REF.	BOLT DIA.	LENGTH	NOTES
GAFF34556	4000-62000590, 4000-62001590	5/8 in.	23-1/4 in.	Includes 2 Qty GAFF13520 Bushings

Torque Rod Assembly — Kenworth, Navistar



PART NO.	OEM REF.	BOLT DIA.	LENGTH	NOTES
GAFF11751	1661925C91	5/8 in.	24 in.	Includes 2 Qty GAFF13520 Bushings

Torque Rod Assembly — Mack




PART NO.	OEM REF.	BOLT DIA.	LENGTH	NOTES
GAFF18860	30SQ4525, 3187322, 35801-0068	5/8 in.	22-1/8 in.	Includes 2 Qty GAFF13520 Bushings

Torque Rod Assembly — Navistar




PART NO.	OEM REF.	BOLT DIA.	LENGTH	NOTES
GAFF12044	1693537C1 35801-5012	5/8 in.	26 in.	Includes 2 Qty GAFF13520 Bushings

Torque Rod Assembly — Navistar




PART NO.	OEM REF.	BOLT DIA.	LENGTH	NOTES
GAFF12074	1516350C91	11/16 in.	23-3/4 in.	Includes 2 Qty GAFF11729 Bushings

Torque Rod Assembly — Navistar



PART NO.	OEM REF.	BOLT DIA.	THD	LENGTH	NOTES
GAFF11080	3581270C1 K195-376	5/8 in.	1-1/4- 12 UNF	24 in.	Includes 1 Qty GAFF13520 & 1 Qty GAFF13518 Bushing

Torque Rod Assembly — Navistar



PART NO.	OEM REF.	BOLT DIA.	LENGTH	NOTES
GAFF34563	3548381C1	5/8 in.	25-3/8 in.	Includes 2 Qty GAFF13521 Bushings


Torque Rod End — Navistar



PART NO.	OEM REF.	BOLT DIA.	LENGTH	NOTES
GAFF13683	66610-000	5/8 in.	8-9/16 in.	Includes GAFF13520 Bushing


Suspension Components

Torque Rod End — Navistar




PART NO.	OEM REF.	BOLT DIA.	LENGTH	NOTES
GAFF13690	66661-000	5/8 in.	33-7/16 in.	Includes GAFF13520 Bushing

Torque Rod End — Navistar




PART NO.	OEM REF.	LENGTH	NOTES
GAFF13692	1691035C91	33-7/16 in.	Includes GAFF13684 Bushing

Torque Rod End — Navistar




PART NO.	OEM REF.	BOLT DIA.	LENGTH	NOTES
GAFF13686	1693533C1	1-1/4-12 UNF	8-9/16 in.	Includes GAFF13518 Bushing

Torque Rod End — Navistar




PART NO.	OEM REF.	BOLT DIA.	LENGTH	NOTES
GAFF13694	1693542C1	1-1/4-12 UNF	33-7/16 in.	Includes GAFF13518 Bushing

Torque Rod End — Navistar




PART NO.	OEM REF.	BOLT DIA.	LENGTH	NOTES
GAFF13703	1693559C1	3/4 in.	25-7/16 in.	Includes GAFF13528 Bushing

Torque Rod End — Navistar



PART NO.	OEM REF.	BOLT DIA.	LENGTH	NOTES
GAFF13695	1693543C1	1-1/4-12 UNF	25-7/16 in.	Includes GAFF13518 Bushing

Torque Rod End — Navistar



PART NO.	OEM REF.	BOLT DIA.	LENGTH	NOTES
GAFF13691	1693536C1	5/8 in.	25-7/16 in.	Includes GAFF13520 Bushing

Torque Rod End — Navistar




PART NO.	OEM REF.	BOLT DIA.	LENGTH	NOTES
GAFF13697	1693545C1	1-1/4-12 UNF	25-7/16 in.	Includes GAFF12031 Bushing

TORQUE RODS


Suspension Components

Torque Rod End — Navistar




PART NO.	OEM REF.	BOLT DIA.	LENGTH	NOTES
GAFF13699	1693535C1	1-1/8 in.	25-7/16 in.	Includes GAFF13516 Bushing

Torque Rod Assembly — Peterbilt, Hendrickson




PART NO.	OEM REF.	BOLT DIA.	LENGTH	NOTES
GAFF12398	03-05198	5/8 in.	25-9/16 in.	Includes 2 Qty GAFF13520 Bushings

Transverse Torque Arm — Navistar




PART NO.	OEM REF.	BOLT DIA.	LENGTH	NOTES
GAFF34563	3580088C1, 3548381C1	3/4 in.	25-3/8 in.	Includes 2 Qty GAFF13521 Bushings

Torque Rod Assembly — Peterbilt




PART NO.	OEM REF.	BOLT DIA.	LENGTH	NOTES
GAFF11792	C65-6009, C65-600	5/8 in.	25-9/16 in.	Includes 2 Qty GAFF13521 Bushings

Torque Rod Assembly — Peterbilt




PART NO.	OEM REF.	BOLT DIA.	LENGTH	NOTES
GAFF34554	03-04059, 35800088C1, 3548381C1, 50151565C2	5/8 in.	22-7/8 in.	Includes 2 Qty GAFF13520 Bushings

Torque Rod Assembly — Freightliner



PART NO.	OEM REF.	BOLT DIA.	LENGTH	NOTES
GAFF11152	16-18972-000, 25164947, 17QF460P245, 16-15632-000	5/8 in.	24 3/16 in.	Includes 2 Qty GAFF13520 Bushings

Torque Rod Assembly — Peterbilt



PART NO.	OEM REF.	BOLT DIA.	LENGTH	NOTES
GAFF12395	03-04327	Hanger End: 5/8 in., Axle End: 3/4 in.	17-5/16 in.	Includes 1 Qty GAFF13520 & 1 Qty GAFF13528 Bushing


Torque Rod Assembly — Freightliner



PART NO.	OEM REF.	BOLT DIA.	LENGTH	NOTES
GAFF11153	16-16749-000	5/8 in.	22 7/8 in.	Includes 2 Qty GAFF13521 Bushings


Suspension Components

Torque Rod Assembly — Kenworth/Peterbilt




PART NO.	OEM REF.	BOLT DIA.	LENGTH	NOTES
GAFF11794	925150	5/8 in. & 1-1/4-12 UNF	25 in.	Includes 1 Qty GAFF13520 & 1 Qty GAFF13518 Bushing

Torque Rod End




PART NO.	BOLT DIA.	LENGTH	NOTES
GAFF13687	3/4 in.	8 9/16 in.	Includes GAFF13517 Bushing

Torque Rod End, Easy Mount




PART NO.	BOLT DIA.	LENGTH	NOTES
GAFF11835	5/8 in.	24 in.	Includes 1 Qty GAFF83520 Free Rotating & 1 Qty GAFF13518 Bushing

Torque Rod End




PART NO.	BOLT DIA.	LENGTH	NOTES
GAFF13688	1-1/8 in.	8 9/16 in.	Includes GAFF13516 Bushing

Torque Rod Assembly — Mack/Volvo




PART NO.	OEM REF.	BOLT DIA.	LENGTH	NOTES
GAFF12042	35801-5018	5/8 in. & 1-1/4-12 UNF	26 in.	Includes 1 Qty GAFF13520 & 1 Qty GAFF12031 Bushing

Torque Rod End




PART NO.	BOLT DIA.	LENGTH	NOTES
GAFF13704	7/8 in.	25 7/16 in.	Includes GAFF13685 Bushing

Torque Rod Assembly — Mack/Volvo, Hendrickson



PART NO.	OEM REF.	BOLT DIA.	LENGTH	NOTES
GAFF13657	35801-0033	5/8 in. & 1-1/4-12 UNF	22 in.	Includes 1 Qty GAFF13520 & 1 Qty GAFF13518 Bushing

Torque Rod End




PART NO.	OEM REF.	BOLT DIA.	LENGTH	NOTES
GAFF13789	1693536C1, 1693537C1, 35801-5012	5/8 in.	27 in.	Includes GAFF13520 Bushing

TORQUE RODS

Suspension Components

Torque Rod End				
				
PART NO.	OEM REF.	BOLT DIA.	LENGTH	NOTES
GAFF13790	64473-000, 66610-00H, 46610, 1693531C1, VSO2000, IPC928610	5/8 in.	8 9/16 in.	Includes GAFF13520 Bushing

Torque Rod Assembly		
		
PART NO.	ID	LENGTH
GAFF34527	2-7/16 in.	14 1/2 in.

Suspension Components

"D" Pin Bushing — Hendrickson



PART NO.	OEM REF.	OD	LENGTH	BOLT DIA.
GAFF13627	60383-000	2-1/2 in.	5-1/ in.	7/8 in.

Bushing, Axle Connection, Thru Bolt Style — SAF-Holland



PART NO.	OEM REF.	OD	ID	LENGTH
GAFF14527	90008008	3-7/8 in.	2-1/2 in.	5-3/4 in.

Adapter Kit — SAF Holland



PART NO.	NOTES
GAFF13507	Includes adapter, nut, bolt and washers

Bushing, Axle Connection, Thru Bolt Style — SAF-Holland



PART NO.	OEM REF.	OD	ID	LENGTH
GAFF31592	90008006, 90008219	3-7/8 in.	2-1/2 in.	5-1/4 in.

Bronze Center Bushing — Hendrickson



PART NO.	OEM REF.	OD	ID	LENGTH
GAFF13534	30437-000	4-3/4 in.	2-1/2 in.	12 in.

Center Bushing with Loose End Plug — Hendrickson



PART NO.	OEM REF.	OD	ID	LENGTH	NOTES
GAFF13543	49600-000	4-3/4 in.	2-1/2 in.	12 in.	Loose End Plug

Bushing, Axle Connection, Bar Pin Style — SAF-Holland



PART NO.	OEM REF.	OD	ID
GAFF14532	90008005, 90008175	3-27/32 in.	1-1/16 in.

Center Bushing with Welded End Plug — Hendrickson



PART NO.	OEM REF.	OD	LENGTH	NOTES
GAFF13500	06664-000	3-5/8 in.	12 in.	Welded End Plug


Suspension Components

Center Bushing with Welded End Plug — Hendrickson




PART NO.	OEM REF.	OD	ID	LENGTH	NOTES
GAFF13505	49400-000	4-3/4 in.	2-1/2 in.	12 in.	Welded End Plug

End Beam Bushing Kit — Hendrickson



PART NO.	OEM REF.	OD	BOLT DIA.	NOTES
GAFF13607	34013-087	4-3/8 in.	1-1/16 in.	Includes Mounting Hardware

Control Arm Bushing & Bolt Kit — Meritor



PART NO.	OEM REF.	OD	ID	LENGTH	NOTES
GAFF50032	KIT11300	2-3/8 in.	7/8 in.	3 in.	4 Qty. Torque Rod Bushing & 4 Qty. Bolts & 2 Qty. Pivot Washer & 4 Qty. Nut & 8 Qty. Washer & 8 Qty. Washer

End Beam Bushing Kit, Free Rotating, Shim Type, Includes Hardware — Hendrickson




PART NO.	OEM REF.	OD	NOTES
GAFF83596	34013-188	4-3/8 in.	Free Rotating version of GAFF13596

End Beam Bushing — Hendrickson



PART NO.	OEM REF.	OD	ID	LENGTH
GAFF13553	29878-001	4-3/8 in.	2-1/2 in.	5-3/4 in.

End Beam Bushing Kit — Hendrickson




PART NO.	OEM REF.	NOTES
GAFF13566	34013-049	Includes GAFF13506 Bushing & GAFF13609 Beam Adapter

End Beam Bushing — Hendrickson



PART NO.	OEM REF.	OD	ID	LENGTH
GAFF13501	06969-000	4-3/8 in.	2-1/2 in.	5-1/4 in.


End Beam Bushing Kit — Hendrickson



PART NO.	OEM REF.	OD	NOTES
GAFF83596	34013-188, 44694-000, 35033-3201, 227710	4-3/8 in.	Free Rotating version of GAFF13596

Suspension Components

End Beam Bushing Kit — Hendrickson



PART NO.	OEM REF.	NOTES
GAFF13596	34013-088	Includes Mounting Hardware & Alignment Washers & 1 Qty. GAFF13651 Beam Bushing

Equalizer Bushing — Navistar



PART NO.	OEM REF.	OD	ID	LENGTH
GAFF13513	497501C2	2-1/2 in.	1 in.	4-23/32 in.

Equalizer Bushing — Fruehauf



PART NO.	OEM REF.	OD	ID	LENGTH
GAFF13007	UXA-000004	3-7/16 in.	2 in.	4-7/16 in.

Equalizer Bushing — Reyco



PART NO.	OEM REF.	OD	ID	LENGTH
GAFF15016	T-5524	3-3/8 in.	1-5/8 in.	4-1/2 in.

Equalizer Bushing — Fruehauf



PART NO.	OEM REF.	OD	ID	LENGTH
GAFF13005	UXA-000004	3-1/2 in.	2 in.	4-7/16 in.

Equalizer Bushing — Reyco



PART NO.	OEM REF.	OD	ID	LENGTH
GAFF15054	0649-02	3-7/16 in.	1 in.	4 in.

Equalizer Bushing — Hutch



PART NO.	OEM REF.	OD	ID	LENGTH
GAFF14038	18723-01	3-5/16 in.	1-5/32 in.	3-7/8 in.

Equalizer Bushing — Reyco



PART NO.	OEM REF.	OD	ID	LENGTH
GAFF15076	T-5524	3-1/2 in.	1-5/8 in.	4-13/32 in.

Suspension Components

Equalizer Bushing — SAF Holland




PART NO.	OEM REF.	OD	ID	LENGTH
GAFF15054	XB-SP0054-05	3-5/16 in.	1 in.	4 in.

Equalizer Bushing — Reyco



PART NO.	OEM REF.	OD	ID	LENGTH	NOTES
GAFF15000	08915-01	3-1/8 in.	1-1/4 in.	4-1/2 in.	No Slots, Ford and GM/Volvo

Equalizer Bushing Kit — Fruehauf



PART NO.	OEM REF.	OD	ID	LENGTH	NOTES
GAFF13042	UXA-000004-900	2-3/16 in.	1-1/4 in.	2-3/8 in.	Includes 2 GAFF13005 Bushings and Hardware

Pivot & Axle Bushing — SAF-Holland




PART NO.	OEM REF.	OD	ID	LENGTH
GAFF14533	90008149	2-13/16 in.	1-1/8 in.	5 in.

Equalizer Bushing Kit — Reyco



PART NO.	OEM REF.	NOTES
GAFF15075	TK18998	2 Qty. GAFF15076 Equalizer Bushing & 1 Qty. Pin & 2 Qty. Washer & 2 Qty. Spring Washer & 2 Qty. Bolt

Pivot Bolt & Bushing Kit — Meritor




PART NO.	OEM REF.	OD	ID	LENGTH	NOTES
GAFF13599	KIT11201	5-15/16 in.	1-9/16 in.	5-3/4 in.	1 Qty. Tri-Functional Bushing & 2 Qty. Tri-Functional Washers Bushing & 1 Qty. Steel Bushing & 1 Qty. Nylon Insert Nut & 1 Qty. Washer & 1 Qty. Bolt

Equalizer Bushing — Reyco



PART NO.	OEM REF.	OD	ID	LENGTH	NOTES
GAFF15001	14713-01	3-1/8 in.	1-1/2 in.	4-1/2 in.	No Slots

Pivot Bushing — Hendrickson



PART NO.	OEM REF.	OD	ID	BOLT DIA.	NOTES
GAFF13565	S-6914	5-13/16 in.	1-1/4 in.	6-3/4 in.	Bushing Only


Suspension Components

Pivot Bushing — Hendrickson



PART NO.	OEM REF.	OD	ID	LENGTH
GAFF18821	58648-000	3-11/16 in.	1-1/4 in.	3-5/8 in.

Pivot Bushing — SAF-Holland




PART NO.	OEM REF.	OD	ID	LENGTH
GAFF50046	90008247	4-19/32 in.	1-1/8 in.	5 in.

Pivot Bushing — SAF-Holland



PART NO.	OEM REF.	OD	ID	LENGTH
GAFF14510	90008131	2-3/8 in.	1-1/8 in.	5 in.

Pivot Bushing Kit — SAF-Holland




PART NO.	OEM REF.	NOTES
GAFF50047	48100394 / SRK-530	2 Qty GAFF50046 Pivot Bushing & 4 Qty. Washer & 2 Qty. Nylon Insert Nut & 2 Qty. Bolts

Pivot Bushing — SAF-Holland



PART NO.	OEM REF.	OD	ID	LENGTH
GAFF14513	90018139	3-1/2 in.	1-1/8 in.	5-1/4 in.

Pivot Bushing Kit, Axle Set — Hendrickson




PART NO.	OEM REF.	OD	ID	BOLT DIA.	NOTES
GAFF13817	60632-20, 60632-8	3-11/16 in.	1-1/4 in.	3-5/8 in.	Includes Bushing, Hardware and Alignment Washers

Pivot Bushing — SAF-Holland



PART NO.	OEM REF.	OD	ID	LENGTH
GAFF14514	90008151, 90008252	3-1/2 in.	1-1/8 in.	5 in.


Pivot Bushing Kit - Narrow Bushing — Hendrickson



PART NO.	OEM REF.	OD	ID	LENGTH	NOTES
GAFF13594	S-26321	6 in.	1-1/4 in.	3-5/8 in.	Includes Bushing, Hardware and Alignment Washers

Suspension Components

Pivot Bushing Kit - Narrow Bushing — Hendrickson




PART NO.	OEM REF.	OD	ID	LENGTH	NOTES
GAFF13743	S-26321	6 in.	1-1/4 in.	3-5/8 in.	Axle Set, Includes Bushings and Hardware

Pivot Bushing with Wear Shims — Hendrickson



PART NO.	OEM REF.	OD	ID	BOLT DIA.	NOTES
GAFF13600	S-24691	5-13/16 in.	1-1/4 in.	6-3/4 in.	Includes Wear Shims

Pivot Bushing Kit - Wide Bushing — Hendrickson




PART NO.	OEM REF.	OD	ID	LENGTH	NOTES
GAFF13628	S-24691	6 in.	1-1/4 in.	6-3/4 in.	

Rebound Roller Assembly — Hendrickson




PART NO.	OEM REF.	OD	ID	LENGTH	NOTES
GAFF11747	49175-005	2-1/2 in.	9/16 in.	3-5/8 in.	Includes Roller and Hardware

Pivot Bushing with Hardware, Alignment Washers Not Included — Hendrickson




PART NO.	OEM REF.	OD	ID	BOLT DIA.	NOTES
GAFF13744	S-24691	5-13/16 in.	1-1/4 in.	6-3/4 in.	Includes Bolt, Nut, Wear Washers, Bolt Washers

Shock Absorber Bushing — Navistar/Peterbilt




PART NO.	OD	ID	LENGTH
GAFF18566	1-7/8 in.	1 in.	1 in.

Pivot Bushing With Hardware, Use for all HT Applications — Hendrickson



PART NO.	OEM REF.	OD	ID	BOLT DIA.	NOTES
GAFF13510	S-6914	5-13/16 in.	1-1/4 in.	6-3/4 in.	Includes Bolt, Nut, Wear Washers, Bolt Washers

Spring Eye Bushing — Peterbilt



PART NO.	OEM REF.	OD	ID	LENGTH
GAFF12354	03-05101	2-1/2 in.	1-3/4 in.	2-3/8 in.

Suspension Components

Spring Eye Bushing — Peterbilt



PART NO.	OEM REF.	OD	ID	LENGTH
GAFF12350	03-01674	2-1/2 in.	1-3/4 in.	2-5/8 in.

Spring Eye Bushing — Mack, Volvo




PART NO.	OEM REF.	OD	ID
GAFF31129	20558810	2-17/32 in.	7/8 in.

Shock Absorber Bushing — Kenworth/Peterbilt



PART NO.	OEM REF.	OD	ID	LENGTH
GAFF11550	CA368-6, K066-266	2 in.	5/8 in.	1 in.

Spring Eye Bushing, Anti-Walk, Oversized — Freightliner, Navistar, Peterbilt



PART NO.	OEM REF.	OD	BOLT DIA.	NOTES
GAFF11084	3538115C5	2-3/4 in.	3/4 in.	Oversized Bushing

Shock Bushing — Freightliner



PART NO.	OEM REF.	OD	ID	LENGTH
GAFF30545	-	1-15/16 in.	1 in.	1-3/32 in.

Spring Eye Bushing Kit — Peterbilt



PART NO.	OEM REF.	LENGTH	NOTES
GAFF12361	03AL1	8-1/2 in.	2 Qty. GAFF12350 Bushing & 2 Qty. GAFF12351 Beam End Washer & 1 Qty. Bolt & 1 Qty. Nut & 2 Qty. Washers

Spring Bushing — Freightliner



PART NO.	OEM REF.	OD	ID	LENGTH
GAFF11066	680-322-01-50	2-1/4 in.	3/4 in.	4-1/4 in.

Spring Eye Bushing Kit — Peterbilt



PART NO.	OEM REF.	LENGTH	NOTES
GAFF12362	03-AL2	8 in.	2 Qty. GAFF12354 Bushing & 2 Qty. GAFF12351 Beam End Washer & 1 Qty. Bolt & 1 Qty. Nut & 2 Qty. Washers

Suspension Components

Spring Eye Bushing, Anti-Walk — Freightliner/Navistar/Peterbilt



PART NO.	OEM REF.	OD	BOLT DIA.
GAFF11083	16-16412-001, 3538115C5	2-1/2 in.	3/4 in.

Spring Pin Bushing — Kenworth



PART NO.	OEM REF.	LENGTH	OD	NOTES
GAFF11753	B65-1006	6-5/16 in.	1-3/4 in.	6-3/16 in. Center-to-Center of Notches

Spring Eye Bushing, Old Style — Freightliner



PART NO.	OEM REF.	OD	BOLT DIA.
GAFF11005	681-325-01-50, 16-13962-000, 353811SC1	2-1/2 in.	3/4 in.

Spring Pin Bushing — Kenworth



PART NO.	OEM REF.	OD	NOTES
GAFF11758	B65-1001	1-3/4 in.	5-3/4 in. Center-to-Center of Notches

Spring Eye Bushing — Kenworth/Peterbilt



PART NO.	OEM REF.	OD	ID	LENGTH
GAFF11764	C65-1002, K221-5086	2-3/8 in.	7/8 in.	2-19/32 in.

Spring Pin Bushing — Kenworth



PART NO.	OEM REF.	OD	NOTES
GAFF11767	B65-6005	1-3/4 in.	5-1/2 in. Center-to-Center

Spring Mount — Freightliner



PART NO.	OEM REF.	OD	LENGTH	BOLT DIA.
GAFF18994	58918-000	17/32 in.	6-5/32 in.	6 in.


Spring Pin Bushing — Kenworth



PART NO.	OEM REF.	OD	NOTES
GAFF11802	B65-6005	1-3/4 in.	5-1/2 in. Center-to-Center, Includes GAFF11767 & 2 Washers

Suspension Components

Spring Pin Bushing — Kenworth/Peterbilt




PART NO.	OEM REF.	OD	NOTES
GAFF11763	B65-1007, B65-1012	2-1/8 in.	6-5/16 in. Center-to-Center of Notches

Stabilizer Bushing — Kenworth



PART NO.	OEM REF.	OD	ID	LENGTH
GAFF11502	K066-58, K066-50, K066-449, K066-293	2-7/8 in.	2 in.	4 in.

Spring Pin Bushing — Navistar




PART NO.	OEM REF.	OD	BOLT DIA.
GAFF11005	3538115C5, 16-13962-000, 353811SC1	2-1/2 in.	3/4 in.

Stabilizer Bushing, Oversized with Tabs — Kenworth



PART NO.	OEM REF.	OD	ID	LENGTH	NOTES
GAFF11719	K066-058, K066-293, K066-449	2-7/8 in.	2 in.	4 in.	Oversize with Tabs

Spring Pin Bushing — Peterbilt




PART NO.	OEM REF.	LENGTH	OD
GAFF11753	B65-1006	6-5/16 in.	1-3/4 in.

Sway Bar Repair Kit, Includes Plug — Kenworth



PART NO.	OEM REF.	NOTES
GAFF11766	K345-5156, K345-5032	Includes 1 Plug, 1 Sway Bar Bushing, 1 Sway Bar Pin & 2 Grease Seals

Spring Pin Bushing Kit — Kenworth



PART NO.	OEM REF.	NOTES
GAFF11757	5295	Includes 2 Qty. GAFF11758 Spring Bushing Front & 2 Qty. GAFF11759 Shackle Side Bar

Sway Bar Bushing — Kenworth



PART NO.	OEM REF.	OD	ID	LENGTH
GAFF11734	K066-502-2, K066-461, K066-454	3-9/16 in.	2-1/8 in.	1/2 in.

Suspension Components

Sway Bar Pin Kit — Kenworth




PART NO.	OEM REF.	NOTES
GAFF11733	K345-5156, K179-531	Includes 1 Sway Bar Bushing, 1 Sway Bar Pin & 2 Grease Seals

Torque Rod Bushing, Type 0 & 1 Joint, Oversized — Chalmers




PART NO.	OEM REF.	OD	ID	LENGTH
GAFF18920	22129	3-21/32 in.	2-3/8 in.	3-3/4 in.

Tapered Bushing — Hendrickson




PART NO.	OEM REF.	OD	LENGTH	NOTES
GAFF13582	64697-000H	2 in.	8-1/16 in.	1-1/4-12 UNF

Torque Rod Bushing, Type 2 Joint — Chalmers



PART NO.	OEM REF.	OD	ID	LENGTH
GAFF11739	800010	4-1/4 in.	2-19/32 in.	4-5/32 in.

Torque Rod Bushing, Straddle Mount — Freightliner



PART NO.	OEM REF.	OD	BOLT DIA.
GAFF11004	47691, A-16-119448, 47691-000L	2 in.	5/8 in.

Torque Rod Bushing, Type 2 Joint, Oversized — Chalmers




PART NO.	OEM REF.	OD	ID	LENGTH
GAFF18921	800009	4-1/2 in.	2-1/2 in.	4-9/32 in.

Torque Rod Bushing, Type 0 & 1 Joint — Chalmers



PART NO.	OEM REF.	OD	ID	LENGTH
GAFF18919	22128	3-21/32 in.	2-3/8 in.	3-3/4 in.

Torque Rod Bushing & Bolt Kit — Meritor



PART NO.	OEM REF.	OD	ID	LENGTH	NOTES
GAFF50033	KIT11102	3 in.	1-1/2 in.	1-7/16 in.	2 Qty. GAFF34514 Torque Rod Bushing & 1 Qty. Steel Bushing & 1 Qty. Bolt & 1 Qty. Nylon Insert Nut & 2 Qty. Washer

Suspension Components

Torque Rod & Stabilizer Rod Bushing — Kenworth




PART NO.	OEM REF.	OD	ID
GAFF11729	836940	2-3/4 in.	11/16 in.

Torque Rod Bushing — Hendrickson




PART NO.	OEM REF.	OD	ID	LENGTH	NOTES
GAFF14010	47692-000	2 in.	7/8 in.	3 in.	Torque Rod Bushing, Through Bolt Style

Torque Rod Bushing — Fruehauf




PART NO.	OEM REF.	OD	ID	LENGTH
GAFF13043	UXA-000011	2-1/8 in.	1-1/4 in.	2-3/8 in.

Torque Rod Bushing — Hendrickson



PART NO.	OEM REF.	OD	BOLT DIA.	NOTES
GAFF11004	47691-000, A-16-119448, 47691-000L	2 in.	5/8 in.	Torque Rod Bushing, Straddle Mount, Used on Rods with 1 Tapered Bushing

Torque Rod Bushing — Fruehauf/Hutch



PART NO.	OEM REF.	OD	ID	LENGTH
GAFF13001	UXA-000011, 7620-00	2-3/16 in.	1-1/4 in.	2-3/8 in.

Torque Rod Bushing — Hendrickson




PART NO.	OEM REF.	OD	ID	LENGTH
GAFF14073	722-00	1-15/16 in.	1 in.	3 in.

Torque Rod Bushing — Hendrickson



PART NO.	OEM REF.	OD	BOLT DIA.
GAFF13521	47691-000	2 in.	5/8 in.


Torque Rod Bushing — Hendrickson



PART NO.	LENGTH	BOLT DIA.
GAFF13652	15/16 in.	6-1/4 in.


Suspension Components

Torque Rod Bushing — Hutch




PART NO.	OEM REF.	OD	ID	LENGTH
GAFF14008	722-00	1-29/32 in.	1 in.	3 in.

Torque Rod Bushing — Mack/Navistar



PART NO.	OEM REF.	OD	ID	BOLT DIA.	NOTES
GAFF13520	227720, 44695-000	2-3/4 in.	21/32 in.	5/8 in.	Use GAFF83520 for Easy-Mount (Free Rotating Bushing)

Torque Rod Bushing — Mack/Navistar/Peterbilt/Volvo




PART NO.	OEM REF.	OD	BOLT DIA.	NOTES
GAFF13522	35033-3201, 227710, 44694-000	2-1/2 in.	5/8 in.	Use GAFF83520 for Easy-Mount (Free Rotating Bushing)

Torque Rod Bushing — Meritor




PART NO.	OEM REF.	OD	ID	LENGTH
GAFF34514	1225-W-1349	3 in.	1-1/2 in.	1-7/16 in.

Torque Rod Bushing — Mack



PART NO.	OEM REF.	OD	BOLT DIA.
GAFF13528	49210, 64400-005L, 57750528, 1693063C1	2-3/4 in.	3/4 in.

Torque Rod Bushing — Navistar



PART NO.	OEM REF.	OD	BOLT DIA.
GAFF11004	47691-000, A-16-119448, 47691-000L	2 in.	5/8 in.

Torque Rod Bushing — Mack



PART NO.	OEM REF.	OD	BOLT DIA.
GAFF13685	1694129C1	2-3/4 in.	7/8 in.


Torque Rod Bushing — Navistar



PART NO.	OEM REF.	OD	BOLT DIA.
GAFF11714	-	2-15/32 in.	5/8 in.

Suspension Components

Torque Rod Bushing — Mack/Navistar/Peterbilt/Volvo




PART NO.	OEM REF.	OD	BOLT DIA.	NOTES
GAFF83522	227710, 44694-000, 35033-3201	2-1/2 in.	5/8 in.	Easy-Mount version of GAFF13522

Torque Rod Bushing — Reyco



PART NO.	OEM REF.	OD	ID	LENGTH
GAFF15011	T-5493	2-5/16 in.	1 in.	2-9/16 in.

Torque Rod Bushing — Peterbilt



PART NO.	OEM REF.	OD	LENGTH C-TO-C	BOLT DIA.
GAFF11765	C13-6001	2-3/8 in.	4-13/32 in.	5/8 in.

Torque Rod Bushing — Reyco



PART NO.	OEM REF.	OD	ID	LENGTH
GAFF15020	21238-01S	3-1/8 in.	1-1/16 in.	2-11/16 in.

Torque Rod Bushing — Reyco



PART NO.	OEM REF.	OD	ID	LENGTH
GAFF15008	-	3-1/8 in.	1-1/16 in.	4 in.

Torque Rod Bushing — Reyco



PART NO.	OEM REF.	OD	ID	LENGTH
GAFF15051	T-2242	2-3/8 in.	1 in.	2-15/16 in.

Torque Rod Bushing — Reyco



PART NO.	OEM REF.	OD	ID	LENGTH
GAFF15073	T-5493	2-11/32 in.	1 in.	3 in.


Torque Rod Bushing — Reyco/SAF-Holland



PART NO.	OEM REF.	OD	ID	LENGTH
GAFF15013	XB-SP0054-02, 09729-01	1-15/16 in.	7/8 in.	3 in.

Suspension Components

Torque Rod Bushing — Volvo




PART NO.	OD	LENGTH	BOLT DIA.
GAFF32031	2-15/16 in.	4-1/2 in.	5/8 in.

Torque Rod Bushing Kit — Reyco



PART NO.	OEM REF.	NOTES
GAFF15063	K0022-01	1 Qty. GAFF15013 Bushing & 1 Qty. Bolt & 1 Qty. Nut

Torque Rod Bushing Kit — Fruehauf



PART NO.	OEM REF.	OD	ID	LENGTH	NOTES
GAFF13042	UXA-000011-900(1/2)	3-1/2 in.	2 in.	4-7/16 in.	Includes 2 GAFF13001 Bushings and Hardware

Torque Rod Bushing Kit — Reyco




PART NO.	OEM REF.	NOTES
GAFF15064	TK19089	2 Qty. Torque Rod Bushing & 1 Qty. Bolt & 1 Qty. Nylon Insert Nut & 2 Qty. Washer

Torque Rod Bushing Kit — Fruehauf




PART NO.	OD	ID	LENGTH	NOTES
GAFF13042	2-3/16 in.	1-1/4 in.	2-3/8 in.	1-1/4 in. Bolt

Torque Rod Bushing, Easy-Mount — Kenworth/Mack




PART NO.	OEM REF.	OD	ID	BOLT DIA.	NOTES
GAFF83520	227720, 44695-000	2-3/4 in.	21/32 in.	5/8 in.	Easy-Mount (Free Rotating Bushing)

Torque Rod Bushing Kit — Reyco



PART NO.	OEM REF.	NOTES
GAFF15061	TK21640T	2 Qty. GAFF15008 Bushing & 1 Qty. Bolt & 1 Qty. Nut & 2 Qty. Washer


Torque Rod Bushing, Tapered Stud — Kenworth



PART NO.	OEM REF.	OD	LENGTH	NOTES
GAFF13518	229610	2-3/4 in.	8-1/16 in.	1-1/4-12 UNF

Suspension Components

Torque Rod Bushing, Tapered Stud — Mack



PART NO.	OEM REF.	OD	LENGTH	NOTES
GAFF12031	46735	2-3/4 in.	7 in.	1-1/4-12 UNF

Trunnion Bushing — Mack



PART NO.	OEM REF.	OD	ID	LENGTH
GAFF12028	10QK130P1	4-7/16 in.	3-7/16 in.	8-3/8 in.

Torque Rod Bushing, Tapered Stud — Navistar



PART NO.	NOTES
GAFF34534	1-1/4-12 UNF

Trunnion Bushing, 40K Model — Kenworth



PART NO.	OEM REF.	OD	ID	LENGTH
GAFF11720	K066-450 K066-478	3-1/16 in.	2-5/32 in.	2-13/16 in.

Torque Rod Bushing — Hendrickson



PART NO.	OEM REF.	OD	LENGTH	BOLT DIA.
GAFF13672	69210-000	2 in.	4-3/8 in.	3/4 in.

Trunnion Bushing, 46K Model — Kenworth



PART NO.	OEM REF.	OD	ID	LENGTH
GAFF11743	C13-26005	3-3/32 in.	2-1/4 in.	2-7/8 in.

Trunnion Bushing — Mack



PART NO.	OEM REF.	OD	ID	LENGTH
GAFF12015	10QK276	4-11/16 in.	3-7/16 in.	6-5/16 in.

Trunnion Bushings — Hutch



PART NO.	OEM REF.	OD	ID	LENGTH
GAFF14027	890-00	5 in.	4 in.	9 in.

Suspension Components

V-Rod Bushing, Apex, Includes Snap Ring — Freightliner



PART NO.	OEM REF.	OD	BOLT DIA.
GAFF11162	A348634, 80480078000	3-15/16 in.	29/32 in.

Wear Shims — Hendrickson



PART NO.	OEM REF.	OD	ID
GAFF13648	S-21099	7-7/16 in.	2-15/16 in.

V-Rod Bushing, End, Includes Snap Ring — Freightliner



PART NO.	OEM REF.	OD	BOLT DIA.
GAFF11163	A237903, 062-480-041-000	2-15/16 in.	21/32 in.

Wear Shims — Hendrickson, Meritor



PART NO.	OEM REF.	OD	ID
GAFF13542	S-1161-3, 21226663	7 in.	2-3/8 in.

Wear Pad — Mack, Volvo



PART NO.	OEM REF.	NOTES
GAFF31144	20703083	2007 and Later

Wear Pad — Mack, Volvo





PART NO.	OEM REF.	NOTES
GAFF31145	8079889, 20568741	1999 to 2006

WHEEL CHOCKS

GAFF® Polyurethane
Components

Suspension Components

Wheel Chock			
			
PART NO.	HEIGHT	LENGTH	WIDTH
GAFF18455	6-7/16 in.	8-23/32 in.	5-5/8 in.

Wheel Chock			
			
PART NO.	HEIGHT	LENGTH	WIDTH
GAFF40095	7-29/32 in.	12-1/8 in.	8-13/32 in.

NUMERICAL INDEX

PART NO.	PAGE NO.
GAFF10002	140, 141, 144
GAFF10004	132
GAFF10005	132
GAFF10007	132
GAFF10008	132
GAFF10009	132
GAFF10011	160
GAFF10020	155
GAFF10024	86, 147
GAFF10025	146
GAFF10026	146
GAFF10075	87, 156
GAFF10079	141, 145
GAFF10080	143, 145
GAFF10503	87, 155
GAFF10505	87, 156
GAFF10506	86, 149
GAFF11004	6, 9, 31, 41, 79, 82, 178, 179, 180
GAFF11005	6, 8, 80, 81, 176, 177
GAFF11007	10, 132
GAFF11008	11, 132
GAFF11009	11, 132
GAFF11014	15, 157
GAFF11018	14, 152
GAFF11019	13, 147
GAFF11020	12, 146
GAFF11021	16, 159
GAFF11065	14, 151
GAFF11066	9, 175
GAFF11074	14, 151
GAFF11075	11, 133
GAFF11077	14, 151
GAFF11078	6, 8, 161
GAFF11080	23, 25, 40, 47, 53, 67, 82, 162, 164
GAFF11081	6, 8, 161

PART NO.	PAGE NO.
GAFF11083	6, 8, 80, 81, 92, 95, 176
GAFF11084	6, 8, 80, 81, 92, 95, 175
GAFF11085	14, 152
GAFF11086	11, 133
GAFF11087	14, 153
GAFF11088	15, 153
GAFF11089	15, 153
GAFF11090	15, 153
GAFF11092	11, 133
GAFF11096	13, 149
GAFF11097	13, 149
GAFF11102	12, 147
GAFF11103	12, 97, 147
GAFF11104	12, 148
GAFF11105	12, 148
GAFF11106	13, 148
GAFF11107	13, 148
GAFF11109	13, 149
GAFF11111	10, 133
GAFF11112	14, 151
GAFF11113	11, 15, 133, 153
GAFF11117	16, 159
GAFF11124	12, 146
GAFF11129	16, 159
GAFF11134	57, 149
GAFF11144	16, 159
GAFF11152	9, 166
GAFF11153	9, 166
GAFF11159	7, 8
GAFF11162	7, 9, 184
GAFF11163	7, 10, 184
GAFF11164	7, 8
GAFF11165	7, 8
GAFF11176	12, 148
GAFF11185	13, 149
GAFF11502	47, 51, 177

PART NO.	PAGE NO.
GAFF11515	143, 144
GAFF11517	142, 143, 144
GAFF11519	54, 133
GAFF11520	10, 54, 133
GAFF11523	10, 54, 133
GAFF11527	54, 134
GAFF11529	54, 134
GAFF11531	54, 134
GAFF11532	54, 134
GAFF11533	54, 134
GAFF11536	58, 155
GAFF11537	58, 155
GAFF11539	58, 157
GAFF11540	59, 158
GAFF11541	59, 158
GAFF11543	56, 148
GAFF11544	13, 72, 147
GAFF11545	56, 72, 146
GAFF11548	60, 159
GAFF11549	60, 159
GAFF11550	50, 89, 90, 91, 92, 94, 175
GAFF11554	60, 100, 159
GAFF11557	56, 146
GAFF11611	17
GAFF11612	55, 134
GAFF11613	99, 155
GAFF11614	157
GAFF11615	58, 155
GAFF11705	55, 85, 96, 134
GAFF11707	10, 55, 96, 134
GAFF11709	97, 146
GAFF11714	79, 82, 180
GAFF11719	47, 51, 177
GAFF11720	48, 53, 183
GAFF11724	142, 143, 144
GAFF11725	14, 151

NUMERICAL INDEX

GAFF® Polyurethane
Components

PART NO.	PAGE NO.
GAFF11729	47, 48, 51, 179
GAFF11733	178
GAFF11734	48, 51, 177
GAFF11739	4, 5, 178
GAFF11740	4, 5
GAFF11742	55, 135
GAFF11743	48, 53, 183
GAFF11747	20, 21, 39, 62, 70, 126, 128, 174
GAFF11751	47, 52, 82, 161, 164
GAFF11753	46, 50, 88, 95, 176, 177
GAFF11757	46, 51, 177
GAFF11758	46, 50, 176
GAFF11759	88
GAFF11760	58, 157
GAFF11761	59, 154
GAFF11762	58, 154
GAFF11763	46, 50, 88, 95, 177
GAFF11764	49, 50, 93, 94, 176
GAFF11765	49, 53, 93, 96, 181
GAFF11766	48, 51, 177
GAFF11767	46, 50, 176
GAFF11768	56, 148
GAFF11773	48, 51, 161
GAFF11792	49, 52, 92, 93, 95, 161, 166
GAFF11793	52, 161
GAFF11794	167
GAFF11795	49, 52, 93, 96, 162
GAFF11802	46, 51, 176
GAFF11804	60
GAFF11809	60, 100, 138
GAFF11810	60, 100, 138
GAFF11811	61, 100, 138
GAFF11812	61, 101, 138
GAFF11821	58
GAFF11835	23, 25, 40, 167

PART NO.	PAGE NO.
GAFF11851	57, 98, 149
GAFF12000	73, 151
GAFF12002	73, 151
GAFF12004	72, 135
GAFF12006	63, 65, 71
GAFF12009	66, 67
GAFF12010	63, 64, 65, 71
GAFF12014	63, 64, 65, 67
GAFF12015	63, 70, 183
GAFF12023	73, 157
GAFF12026	74, 160
GAFF12028	63, 70, 183
GAFF12031	63, 64, 70, 183
GAFF12032	74, 160
GAFF12034	73, 153
GAFF12035	73, 153
GAFF12036	64, 65, 67
GAFF12039	63, 65, 67
GAFF12042	69, 167
GAFF12044	82, 164
GAFF12045	73, 154
GAFF12046	73, 156
GAFF12047	73, 154
GAFF12049	74, 160
GAFF12052	72, 135
GAFF12053	66, 71
GAFF12069	67, 162
GAFF12070	67, 162
GAFF12071	67, 162
GAFF12072	63, 68, 163
GAFF12073	68, 163
GAFF12074	68, 81, 163, 164
GAFF12084	72
GAFF12301	130, 157
GAFF12304	130, 156
GAFF12305	130, 156
GAFF12322	129, 135

PART NO.	PAGE NO.
GAFF12333	127, 128
GAFF12340	129, 135
GAFF12344	129, 135
GAFF12350	89, 94, 175
GAFF12351	89, 91, 94
GAFF12354	91, 94, 174
GAFF12355	99, 151
GAFF12356	99, 152
GAFF12357	60, 100, 138
GAFF12359	98, 149
GAFF12360	99, 152
GAFF12361	89, 94, 175
GAFF12362	91, 94, 175
GAFF12363	97, 146
GAFF12364	98, 150
GAFF12365	12, 57, 97, 148
GAFF12366	100, 160
GAFF12367	56, 97, 147
GAFF12368	99, 152
GAFF12369	99, 152
GAFF12370	56, 97, 147
GAFF12372	74, 157
GAFF12381	60, 100, 138
GAFF12395	90, 95, 166
GAFF12396	23, 25, 40, 68, 163
GAFF12397	49, 52, 93, 96, 162
GAFF12398	23, 25, 40, 91, 95, 166
GAFF12410	56, 97
GAFF12414	56, 97
GAFF13001	18, 19, 43, 45, 179
GAFF13005	18, 19, 171
GAFF13007	18, 19, 171
GAFF13041	18, 19
GAFF13042	18, 19, 43, 45, 172, 182
GAFF13043	18, 19, 179
GAFF13500	27, 29, 36, 169

NUMERICAL INDEX

PART NO.	PAGE NO.
GAFF13501	27, 29, 37, 170
GAFF13502	27, 29, 36
GAFF13505	27, 36, 170
GAFF13507	112, 114, 115, 124, 169
GAFF13510	34, 39, 174
GAFF13513	78, 81, 171
GAFF13518	23, 25, 27, 29, 39, 47, 53, 182
GAFF13520	23, 25, 27, 29, 41, 47, 53, 63, 69, 78, 79, 83, 180
GAFF13521	20, 23, 25, 31, 41, 79, 81, 179
GAFF13522	62, 69, 78, 79, 83, 89, 90, 91, 96, 126, 128, 180
GAFF13524	21, 39, 104, 109
GAFF13528	64, 65, 66, 69, 180
GAFF13534	27, 29, 36, 169
GAFF13542	34, 39, 76, 77, 184
GAFF13543	27, 29, 36, 169
GAFF13553	27, 29, 36, 170
GAFF13565	34, 38, 172
GAFF13566	27, 29, 37, 170
GAFF13582	23, 25, 31, 39, 178
GAFF13594	33, 38, 173
GAFF13596	23, 25, 27, 29, 37, 171
GAFF13599	76, 77, 172
GAFF13600	34, 38, 174
GAFF13601	25, 35
GAFF13604	34, 37
GAFF13607	23, 25, 27, 29, 37, 170
GAFF13609	27, 29, 36
GAFF13611	23, 25, 35
GAFF13626	23, 36
GAFF13627	31, 35, 169
GAFF13628	34, 38, 39, 174
GAFF13634	68, 163
GAFF13648	33, 38, 184

PART NO.	PAGE NO.
GAFF13649	29, 37
GAFF13650	29, 37
GAFF13652	31, 41, 179
GAFF13657	23, 25, 40, 69, 167
GAFF13672	31, 41, 183
GAFF13673	33, 38
GAFF13679	23, 25, 40, 52, 162
GAFF13683	79, 83, 164
GAFF13685	64, 65, 66, 69, 180
GAFF13686	83, 165
GAFF13687	167
GAFF13688	167
GAFF13690	79, 83, 165
GAFF13691	83, 165
GAFF13692	84, 165
GAFF13694	84, 165
GAFF13695	84, 165
GAFF13697	84, 165
GAFF13699	84, 166
GAFF13703	83, 165
GAFF13704	167
GAFF13721	25, 35
GAFF13722	25, 35
GAFF13733	23, 25, 40, 68, 161, 163
GAFF13735	21, 40, 52, 68, 161, 162, 163
GAFF13743	33, 38, 174
GAFF13744	34, 39, 174
GAFF13789	167
GAFF13790	168
GAFF13807	23, 25
GAFF13812	23, 25, 35
GAFF13814	23, 35
GAFF13817	31, 35, 173
GAFF14008	44, 45, 180
GAFF14010	31, 41, 179
GAFF14027	42, 45, 183

PART NO.	PAGE NO.
GAFF14038	43, 44, 45, 171
GAFF14073	44, 45, 179
GAFF14087	42, 45
GAFF14510	118, 124, 173
GAFF14513	116, 117, 119, 121, 124, 173
GAFF14514	112, 113, 115, 125, 173
GAFF14527	112, 113, 114, 115, 124, 169
GAFF14532	112, 124, 169
GAFF14533	114, 119, 120, 121, 124, 172
GAFF15000	103, 109, 172
GAFF15001	102, 103, 109, 172
GAFF15008	103, 110, 181
GAFF15011	105, 106, 109, 181
GAFF15013	102, 103, 104, 105, 107, 108, 109, 123, 125, 181
GAFF15016	171
GAFF15020	103, 104, 110, 181
GAFF15051	103, 110, 181
GAFF15054	107, 109, 123, 124, 171, 172
GAFF15061	103, 104, 110, 182
GAFF15063	102, 104, 107, 108, 110, 182
GAFF15064	103, 105, 106, 110, 182
GAFF15073	105, 106, 110, 181
GAFF15075	106, 109, 172
GAFF15076	106, 109, 171
GAFF16009	130, 157
GAFF17284	100, 138
GAFF18002	137
GAFF18063	160
GAFF18094	143, 144
GAFF18102	58, 99, 156
GAFF18215	142, 144
GAFF18221	142, 144
GAFF18455	185

NUMERICAL INDEX

PART NO.	PAGE NO.
GAFF18566	9, 79, 81, 89, 90, 91, 94, 174
GAFF18601	46, 50
GAFF18602	46, 50
GAFF18708	145
GAFF18709	145
GAFF18725	137
GAFF18786	99, 152
GAFF18821	31, 38, 173
GAFF18837	74, 159, 160
GAFF18860	62, 69, 71, 126, 128, 164
GAFF18919	4, 5, 178
GAFF18920	4, 5, 178
GAFF18921	4, 5, 178
GAFF18938	55, 135
GAFF18949	55, 135
GAFF18994	9, 176
GAFF22660	47
GAFF30504	16, 138
GAFF30517	156
GAFF30518	156
GAFF30544	78, 79, 81
GAFF30545	9, 175
GAFF31008	131, 139
GAFF31129	62, 70, 126, 128, 175
GAFF31144	62, 70, 126, 128, 184
GAFF31145	62, 70, 126, 128, 184
GAFF31592	112, 113, 115, 124, 169
GAFF31624	10
GAFF32031	127, 128, 182
GAFF34500	86, 153
GAFF34507	86, 152
GAFF34509	86, 154
GAFF34510	86, 154
GAFF34514	75, 77, 180
GAFF34515	85, 136

PART NO.	PAGE NO.
GAFF34516	85, 136
GAFF34524	87, 154
GAFF34525	87, 155
GAFF34526	87, 154
GAFF34527	168
GAFF34528	85, 136
GAFF34529	155
GAFF34530	86, 147
GAFF34534	79, 83, 183
GAFF34545	87, 160
GAFF34552	85, 136
GAFF34554	89, 90, 95, 166
GAFF34555	68, 163
GAFF34556	69, 164
GAFF34563	79, 80, 82, 84, 164, 166
GAFF34583	85
GAFF34589	85
GAFF40035	142, 144
GAFF40056	143, 145
GAFF40074	137
GAFF40075	137
GAFF40095	185
GAFF40140	142, 143, 145
GAFF40141	140, 141, 145
GAFF50032	75, 77, 170
GAFF50033	75, 77, 178
GAFF50046	122, 125, 173
GAFF50047	122, 125, 173
GAFF83520	23, 25, 27, 29, 41, 47, 53, 63, 70, 78, 79, 82, 182
GAFF83522	78, 82, 89, 90, 91, 96, 181
GAFF83596	23, 25, 27, 29, 37, 170