

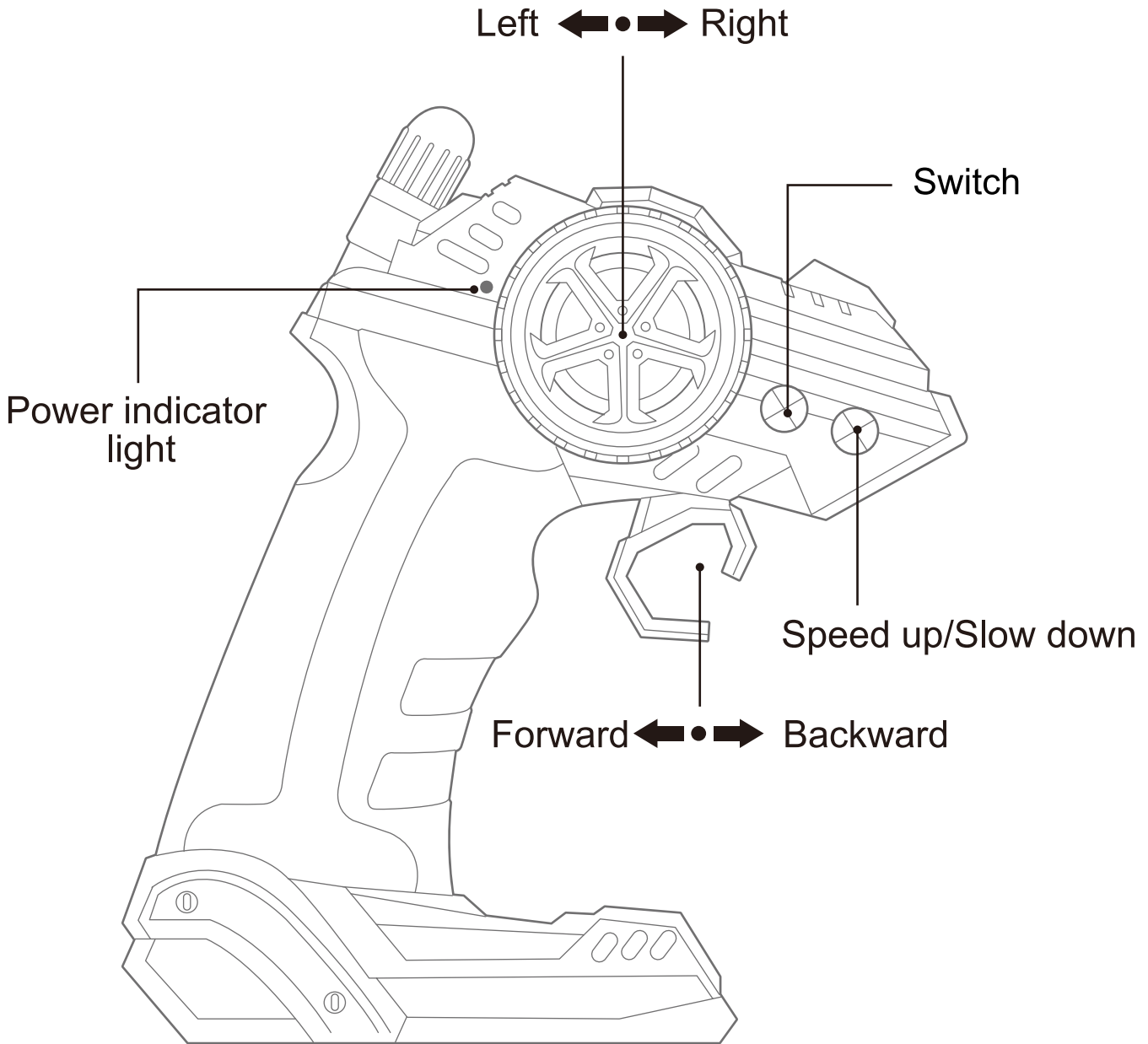
# Remote Control Racing Car SC5 User Manual



\*product colors may vary

**PLEASE READ THIS MANUAL BEFORE USING.**  
PLEASE RETAIN THIS INFORMATION FOR FUTURE REFERENCE

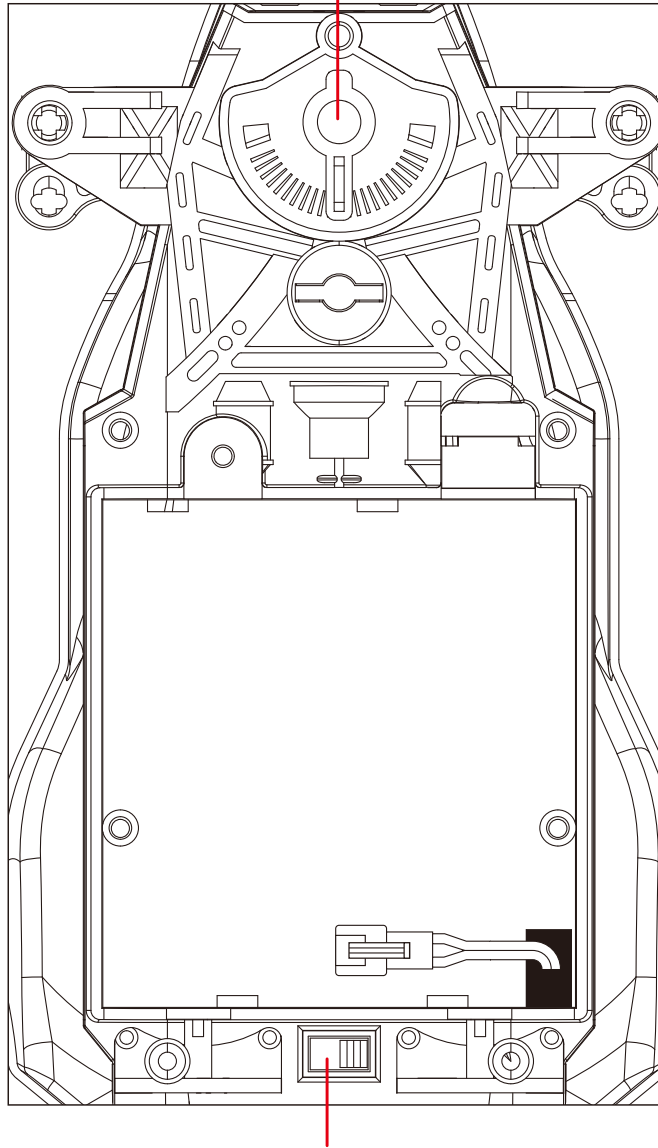
# SC5 Remote Control



# How to Play the SC5

Fine Adjuster: Adjust the direction of the car

Fine Adjuster



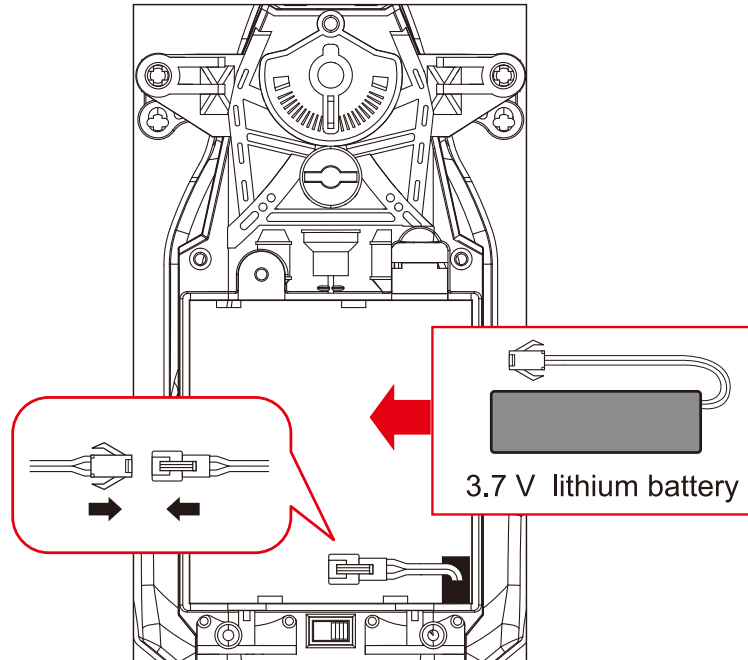
Power On/Off Button

Push the switch to turn the car on or off.

# Battery Installation

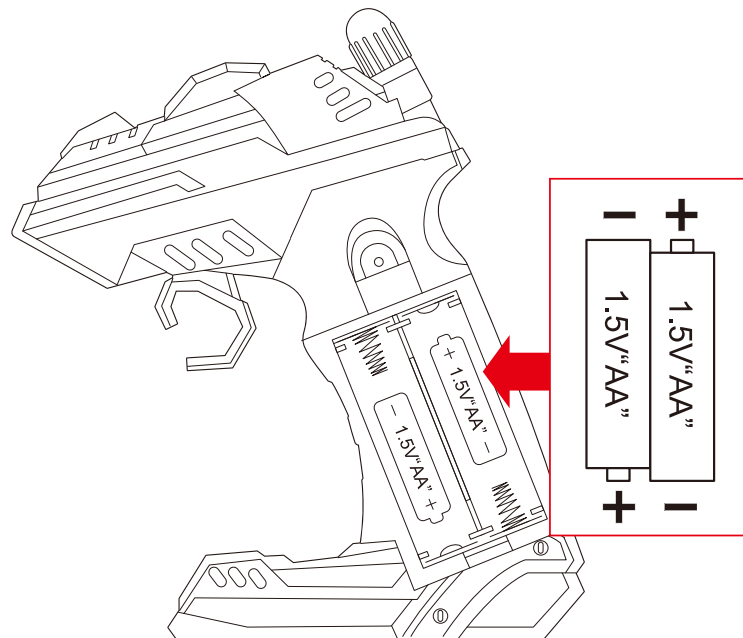
## SC5 Battery Installation

1. Use a small phillips head screwdriver to remove the battery cover.
  2. Attach the battery to the connector.
  3. Replace the battery cover and screw back into place.
- \*When removing the battery to charge, take care to unclasp the connector before pulling it off.



## Remote Battery Installation

1. Use a small phillips head screwdriver to remove the battery cover.
2. Place two AA's with the corresponding polarities as labeled on the unit.
3. Replace the battery cover and screw back into place.



# Battery Warnings

1. There is a certain risk of using lithium batteries, which may cause significant damage to people and property. The end user must use it carefully and bear all the related responsibilities.
2. If the battery leaks, avoid contact with skin and eyes. If contact with skin occurs, wash with soap and water immediately. If contact with eyes occurs, rinse immediately with cold water for at least 15 minutes, and seek medical attention.
3. If the charger begins to emit a suspicious odor, noise, or smoke, unplug the power supply immediately.

# Battery Charging

1. The light turns on when charging and turns off when it is fully charged.
2. Use only the original factory cable. Do not use damaged or cable of other brands.
3. Do not charge expanded, leaked, or damaged batteries.
4. Do not overcharge the battery. When the battery is fully charged, unplug the device.
5. Do not charge near inflammable materials (eg. carpets, wood flooring, solid wood furniture, etc.).
6. Do not charge the battery immediately after it has become hot.
7. The charging temperature of the battery should be between 0-40°C (32-104°F).
8. Recommend using a 5V 1A charger (Not included) for charging.

# Recycling

This equipment consists of electronic components or batteries. For electronic waste, please dispose of according to local waste disposal laws and ordinances.

# Charging Time

New Battery needs to be fully charged for 120 minutes and use time is up to 25 minutes.



## CONTACT INFORMATION

E-Mail: [support@contixo.com](mailto:support@contixo.com)

Website: [www.contixo.com](http://www.contixo.com)

©2021 Contixo Inc. All rights reserved. Contixo®, the Contixo logo and associated characters, trademarks and design elements are owned and licensed by Contixo Company.