

CONTIXO®

14+
for age

OFF-ROAD



**HC4 RC RACE CAR
INSTRUCTION MANUAL**

Important	-----	1
Warnings & Cautions	-----	1
Precautions for Battery Use	-----	1
Safety Precautions	-----	2
Operating Your Model Safely	-----	3
Exemption	-----	4
Remove the Car Shell	-----	6
Install the Transmitter's Battery	-----	7
Remote Control Functions	-----	7
Transmitter Connection	-----	11
Charge	-----	12
Specifications	-----	12
Packing Details	-----	12
Trouble Shooting	-----	13
Assembly Diagram	-----	13

Important:

Thank you for purchasing the Contixo HC4 race car. Please read all instructions and warnings carefully before operating, and keep this instruction manual for future reference and maintenance.

The HC4 race car should only be operated by individuals age 14 and up, and is best supervised by experienced users. This is a precisely-made device from its electronics, mechanical components, and high frequency transmission technology, according to its aerodynamic design. Using this device requires proper calibration and potential assembly or debugging to avoid complications or accidents. The user should always operate and control this product in a safe manner. Inappropriate use can lead to serious injury, cause property damage, or can lead to the car being lost during operation.

In the event that the product is faulty. Please reach out to our technical support team. All of our products have a 1-year limited warranty: <https://contixo.com/pages/warranty>. Likewise, should the product malfunction, or become damaged and need maintenance, reach out to our customer service team at: Support@contixo.com.

Warnings & Cautions

1. Detachable small parts should be stored safely and out of reach of children.
2. If interference is experienced, turn the model off and try it again in a different area.
3. Transmitter will not function correctly if the batteries are low. Please replace the batteries.
4. Please discard old/used batteries in a safe manner. Consider your environment!
5. Please store the remote control model in cool, dry place.
6. DO NOT expose to fire or high temperatures, do not store in moist area.
7. Once the battery gets wet, wipe immediately with a soft dry cloth.
If the battery has any deformation, please stop using.
8. If you don't use the model for a long time, please raise the chassis to let the wheels hang in the air when storing.


Precautions for Battery Use

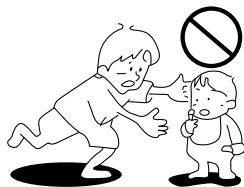
1. Transmitter uses 3x1.5V "AA" batteries.
2. Please pay attention to correct polarity when replacing batteries.
3. Rechargeable batteries should be charged under adult supervision.
4. Do not mix old and new batteries. Do not mix alkaline, standard (carbon-zinc), or rechargeable batteries.
5. After the battery is exhausted, the batteries should be removed.
6. Exhausted batteries should be safely disposed of.
7. DO NOT short circuit any terminals.
8. DO NOT attempt to recharge non rechargeable batteries.
9. Remove batteries from the model when charging.
10. DO NOT put batteries into a fire or into water.
11. The rated input voltage battery charger MUST be suitable for your mains power voltage.
12. During charging it is quite normal for the charger and batteries to heat up.
13. Do not swallow battery!
14. Store only in cool, dry and dark places and should be keep out of reach from children!
15. If the battery leaks liquid and gets into your eyes, please rinse with water right away and consult an ophthalmologist.

Safety Precautions

- In order to enjoy running the car, you need to finish assembly before operation. Do routine maintenance work after operation. Replacement parts and option parts are available separately.
- Improper usage with Alkaline cells or rechargeable batteries may damage the electronics for the car or the radio.

In order to operate the car safely. Be sure that you have observed the following points:

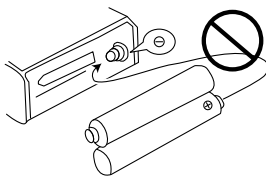
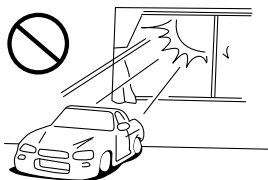
 Please follow the points as below in order to prevent accident from happening to the car and people.



- Be sure to read thoroughly the manual before you begin. New users should seek advice from experienced individuals in order to assemble the model correctly.

- Cutters, nippers and screwdrivers need careful handling.

- As the product contains small and sharp parts, assemble and store this product only in places out of the reach of children.




- Do not expose this model to high temperature, humidity or direct sunlight.

- Never reverse connection/ disassemble the battery. This may lead to damage and leakage.

- When the model is not in use, always turn off the receiver and transmitter. Further more, disconnect the batteries and remove them from the model and the transmitter. This may be dangerous and to prevent things such as overheating and leakage.

Operating Your Model Safely

 Do NOT operate the model in the following places and situations.
(Non-observance may lead to accidents.)

- Operate your model in spacious and safe areas! Do not operate it:
 1. On road!
 2. In places where children and many people gather.
 3. In residential districts and parks!
 4. Do not operate the model on public roads, in crowded places and near infant as it may cause accidents.
 5. Indoors or in limited spaces. Non-observance may result in personal injury and property damage!
- The car must stop immediately and check for the reasons when it is operating abnormal. As long as the problem is not cleared, do NOT operate it! This may lead to further trouble and unforeseen accidents!
- Always check the radio batteries!
With weak dry batteries, transmission and reception of the radio would fall off. You may lose control of your model in such condition. This may also cause serious accidents!
- Keep in mind that people around you may also operate a radio control model!
NEVER share the same frequency with somebody else at the same time! Otherwise, Radio signals will be mixed up and you will lose control to your model. This may lead to accidents.
- Do NOT put fingers or any objects inside rotating and moving parts!
- Right after use, do NOT touch the motor! Danger of burning yourself!



WARNING: Product should only be used by individuals 14 years and older.
Adult supervision required for children under 14 years old.

WARNING: CHARGING OF THE CAR BATTERY MUST BE SUPERVISED AT ALL TIMES BY AN ADULT. UNPLUG THE BATTERY WHEN FULLY CHARGED. DO NOT OVER-CHARGE THE BATTERY.

Exemption

When using this product, Contixo Inc. shall not be responsible for direct or indirect damages caused by the following:

1. Any damages caused by the user experiencing: fatigue, nausea, poor physical / mental health conditions, or under the influence of alcohol, or drugs.
2. Personal injury, property loss and legal liability caused by the user's subjective intention or wrong judgment.
3. Damage caused by users playing in areas prohibited by law and regulations, such as nature reserves.
4. Other damage caused by poor operation or modification of equipment. Training or replacement of accessories or parts not produced by Contixo Inc.
5. Damage caused by forced drive knowing that the car is in an abnormal state, knowing the assembly is not completed, or knowing the components have obvious faults, defects, or missing parts.
6. Playing in an area with radio, electrostatic, or magnetic interference, such as near: high-voltage power lines, large power equipment, radio and television transmission towers, mobile phone base stations, etc. Avoid areas restricting specified by the government. Ensure the user's vision is not impaired, or blocked by obstacles. Users with impaired vision should wear any prescribed eyewear. Avoid any conditions unsuitable for controlling the device.
7. Playing in bad weather conditions, such as rain, winds, snow, hail or other bad weather.
8. The car encounters a collision, overturns, combusts, gets struck by lightning, and is damaged in a storm, tornado, rainstorm, flood, tsunami, ground subsidence, ice subsidence, cliff collapse, avalanche, hail, debris flow, landslide, earthquake, or natural disaster, etc.
9. Damage caused by infringement of any data, audio or video data obtained from the user using the car.
10. Damage to the battery, such as damage caused by improper matching of the protection circuit, battery pack and charger.
11. Any indirect losses or legal liabilities caused by problems of equipment or accessories.
12. Losses or legal liabilities caused by reckless or unsafe drive without completing sufficient driving training.

13. The user promises to use the product only for legitimate purposes and agrees to abide by these terms and any relevant policies or guidelines that may be formulated by Contixo Inc. Some details of this document may change with the upgrade of the product software version and its terms of use. Please read the upgrade details carefully before upgrading the software version. The instruction manual will be updated with or without prior notice.

FC FCC PART 15 B Notice: CAUTION

Warning: Changes or modifications to this unit not expressly approved by the party responsible for compliance could void the user's authority to operate the equipment.

NOTE: This equipment has been tested and found to comply with the limits for a Class B digital device, pursuant to Part 15 of the FCC Rules. These limits are designed to provide reasonable protection against harmful interference in a residential installation. This equipment generates, uses and can radiate radio frequency energy and, if not installed and used in accordance with the instructions, may cause harmful interference to radio communications.

However, there is no guarantee that interference will not occur in a particular installation. If this equipment does cause harmful interference to radio or television reception, which can be determined by turning the equipment off and on, the user is encouraged to try to correct the interference by one or more of the following measures:

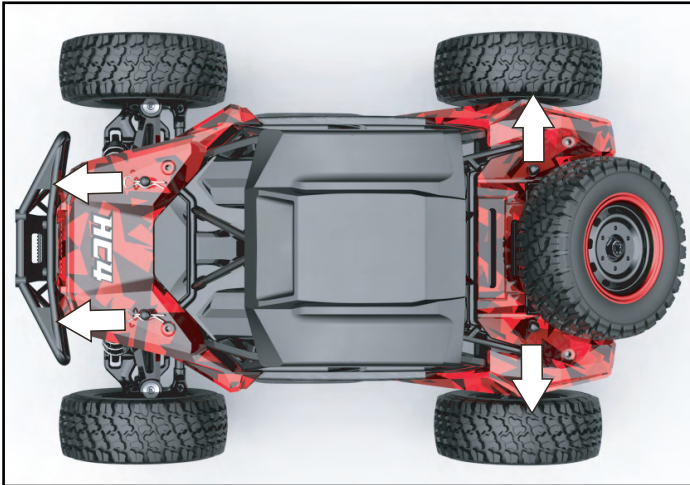
- Reorient or relocate the receiving antenna.
- Increase the separation between the equipment and receiver.
- Connect the equipment into an outlet on a circuit different from that to which the receiver is connected.
- Consult the dealer or an experienced radio/TV technician for help.

This device complies with Part 15 of the FCC Rules. Operation is subject to the following two conditions:

- (1) this device may not cause harmful interference, and
- (2) this device must accept any interference received, including interference that may cause undesired operation.

Remove the Car Shell

1. Take out the 4 clips from the holes to unlock the car body.

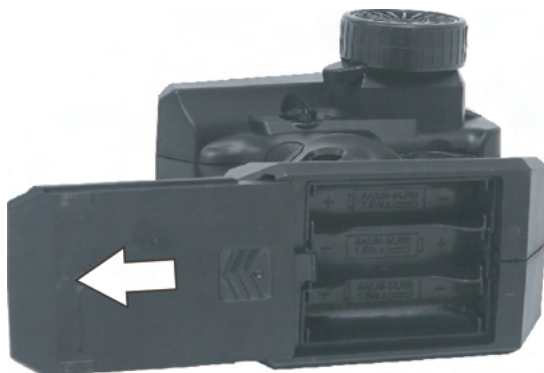


2. Remove the shell from the bracket. (There are light connecting wires between the shell and the frame, please be careful not to pull it up too much.)



Install the Transmitter's Battery

Open the transmitter's battery cover, insert 3 AA batteries (not included) according to the indicated positive and negative direction, close the battery cover.



Remote Control Functions



- ① ST.TRIM
(Steering Trim Adjustment)
- ② ST.REV.
(Steering Reverse Conversion)
- ③ Power switch
- ④ Speed Adjustment



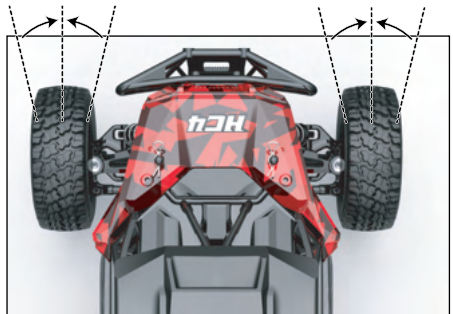
⑤ CH1: ST (Steering)

⑥ CH2: TH (Throttle)

⑦ CH3: Light Switch

① ST.TRIM (Steering Trim Adjustment)

If the car cannot drive straight, it can be adjusted through the ST.TRIM.



② ST.REV.

After switching the steering direction button, the steering direction of the car will change to the opposite direction.



③ Power Switch

Switch to turn on or off the remote control.



④ Speed Adjustment

Spinning to the right increases speed, spinning to the left decreases speed.

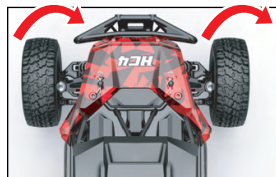
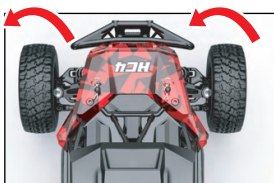


⑤CH1: ST (Steering)

Middle

Turn left

Turn right



Note: If the ST.REV. button is switched to the left, the steering direction of the car will change to the opposite direction.

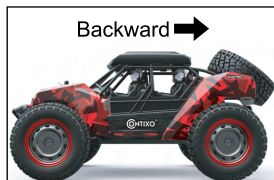
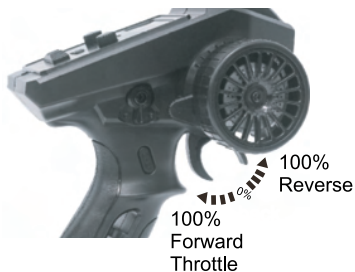
⑥CH2: TH (Throttle)

Trigger: The trigger operates the throttle. To move forward slightly pull the trigger back. Pull back further to move faster.

Brake: When the car is going forward, pull the transmitter trigger forward, and the car enters into the braking state.

Reverse: When the car is at a stop, push the trigger forward to move backwards.

*When the car is in reverse, it has no brake function.

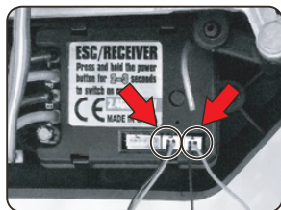


⑦CH3: Light Switch



Push this button for the 4 light modes:

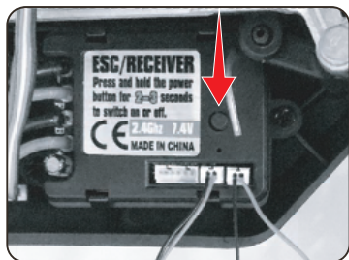
- Static (Constant Light)
- Slow flashing
- Regular flashing
- Off



There are two light ports on the ESC, the lights are connected to the left side port to switch the light mode, and the lights are always on if they are connected to the right side port. The default is that the front lights of the car are connected to the left connector, you can switch the light interface as needed.

Transmitter Connection

1. Take off the car shell, connect the battery to the ESC (please make sure the battery mounting bracket is tightly attached), then press and hold the power button of the race car until you see a flashing indicator light, which is on the top of the ESC.
2. Turn on the power switch on the transmitter.
3. When the indicator light, the race car can be operated to play, please secure the car shell before use.



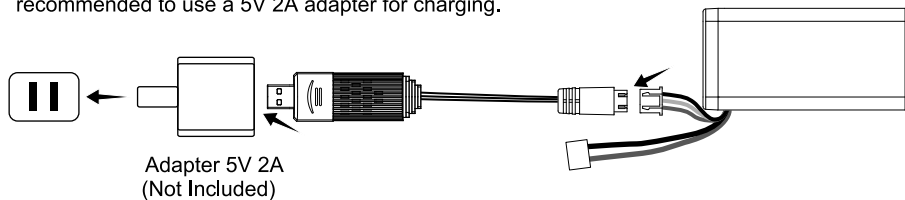
Charge

Race car battery: 7.4V 1300mAh.

If charging with a 5V 2A USB adapter, the charging time is about 3 - 3.5 hours.

- When charging, the red light of the charging cable stays on and the green light flashes;
- When the battery is fully charged, the green indicator light of the charging cable stays on and the red light turns off.

*The above charging time data is based on the test result of 5V 2A adapter. Using different specifications of adapters or power supply equipment will affect the actual charging time. It is recommended to use a 5V 2A adapter for charging.



Specifications

Model: HC4

Control Frequency: 2.4GHz

Remote Control Battery: 3 x AA

Race Car Battery: 7.4V 1300mAh

Control Range: Up to 250 Ft.

Maximum Speed: 38 km/h / 25 mile/h

Playing Time: Up to 18 Minutes

Charging Time: 3 - 3.5 Hours

Size: 12.6 x 8.1 x 5.5 Inch

Weight: 1100 g / 2.4 Lbs

Packing Details

Race Car x 1

Remote Control x 1

Bumper x 1

Manual x 1

Charging Cable x 1

Screwdriver x 1

Light Strip x 2

Trouble Shooting

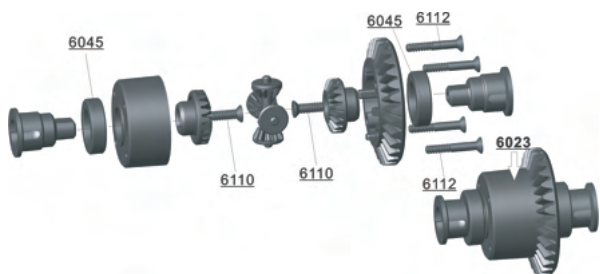
Problem	Cause	Solution
Car does not respond to user controls.	<ol style="list-style-type: none">1. Remote is not synced to the car.2. Insufficient battery power.3. Over control range.	<ol style="list-style-type: none">1. Refer to page 11 (Transmitter connection).2. Recharge the battery.3. Use within the control range, the control range is up to 250ft, this distance will change according to the actual environment.
Can not power on the car.	Insufficient battery power.	Recharge the battery.
The car skids or spins.	<ol style="list-style-type: none">1. The floor is too slippery.2. Heavy tire wear.	<ol style="list-style-type: none">1. Change of playing sites.2. Replace the tire.

Assembly Diagram

Shock absorber



Differential



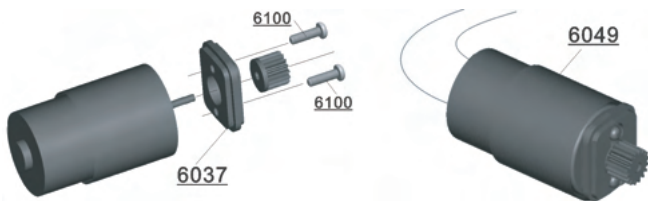
Mid-drive



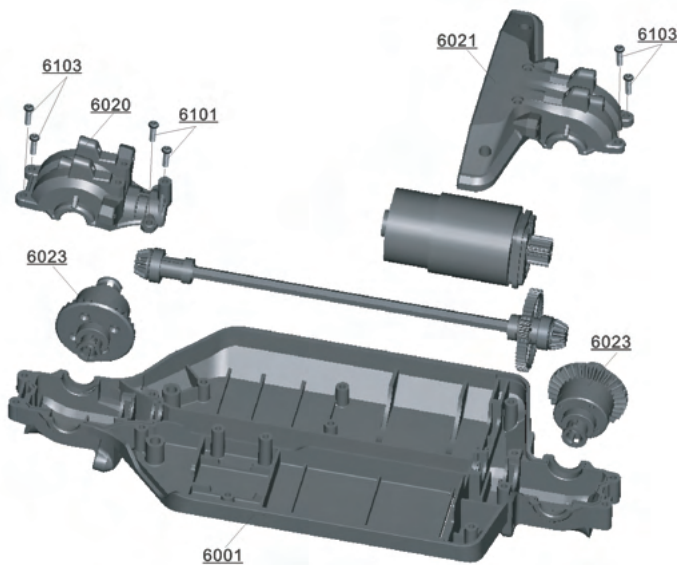
Servo cushion



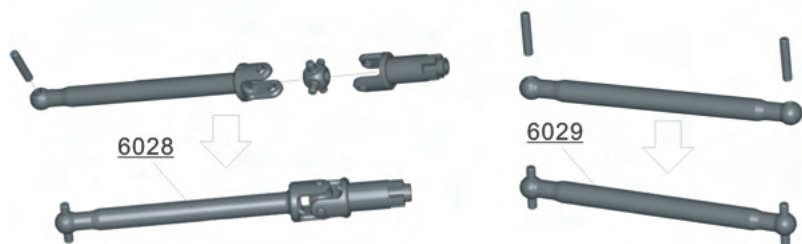
Motor



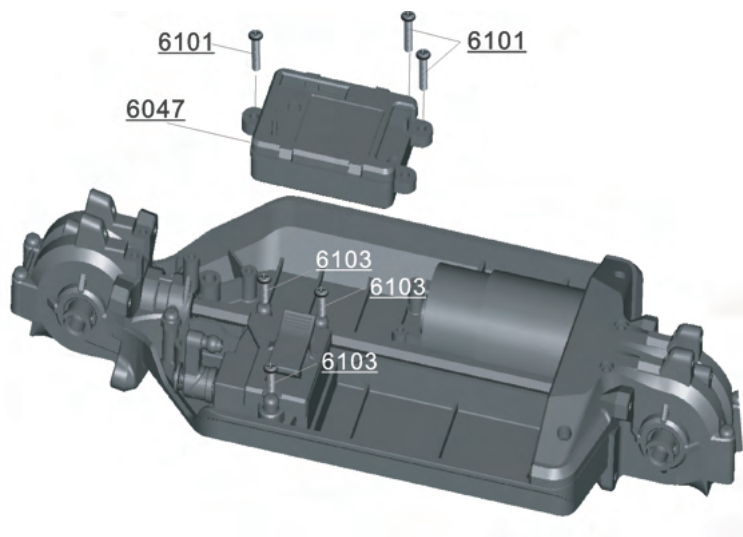
Bonnet



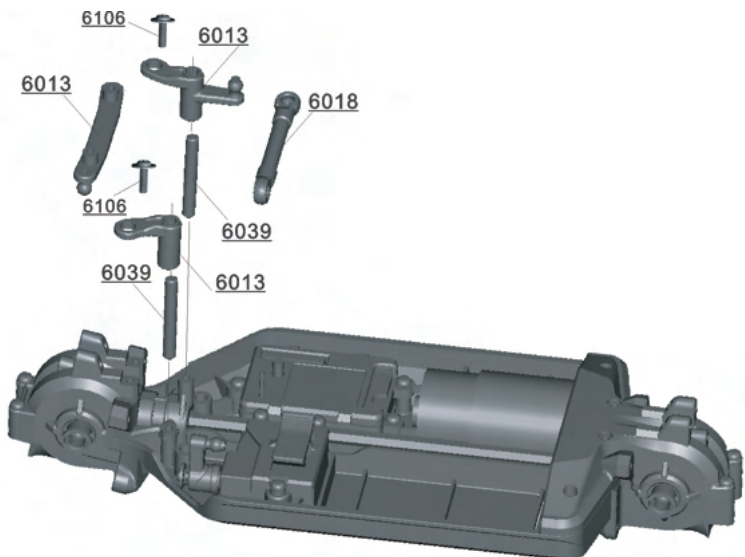
Drive shaft



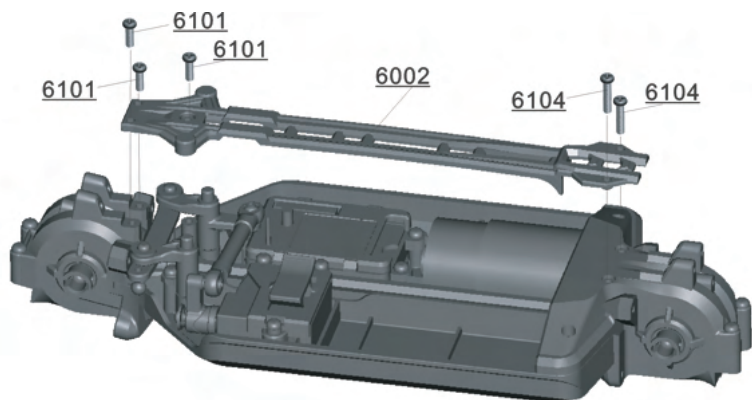
ESC



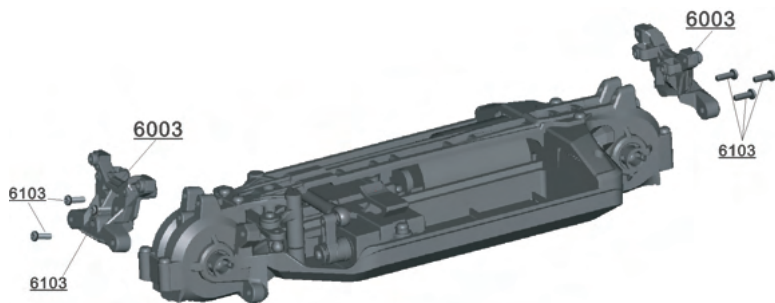
Steering unit



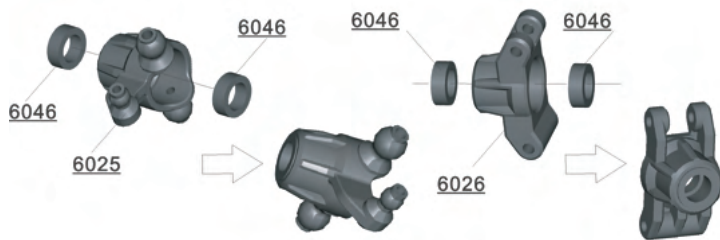
Retaining plate



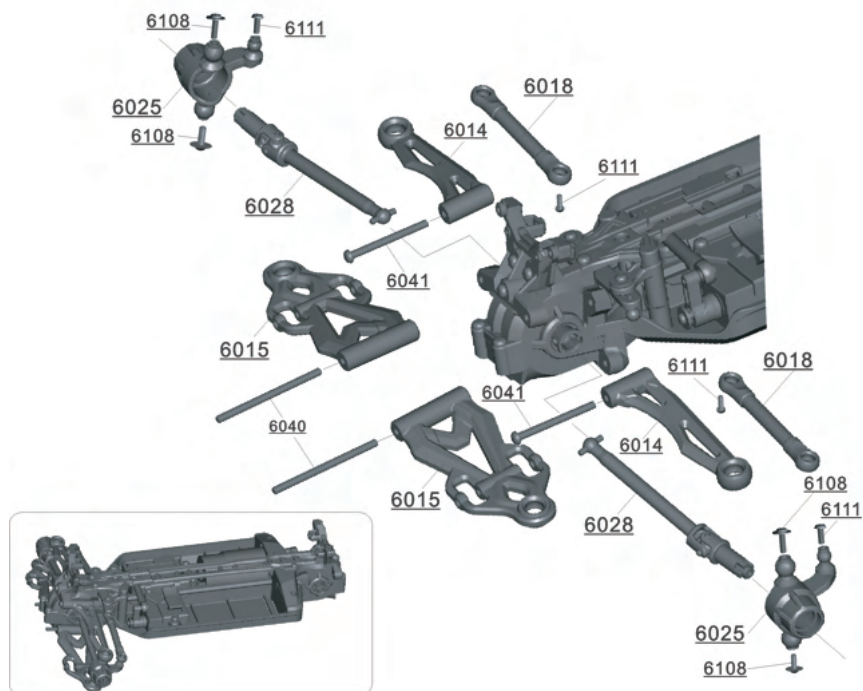
Damping bracket



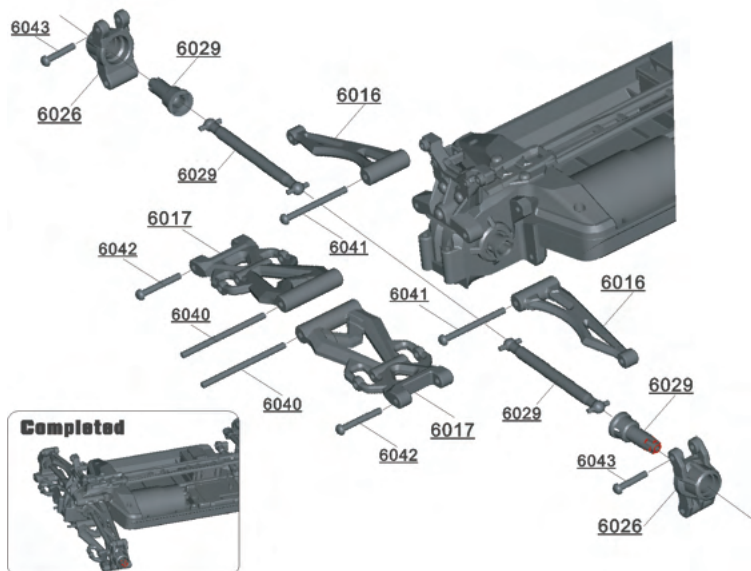
Steering cup (rear axle seat)



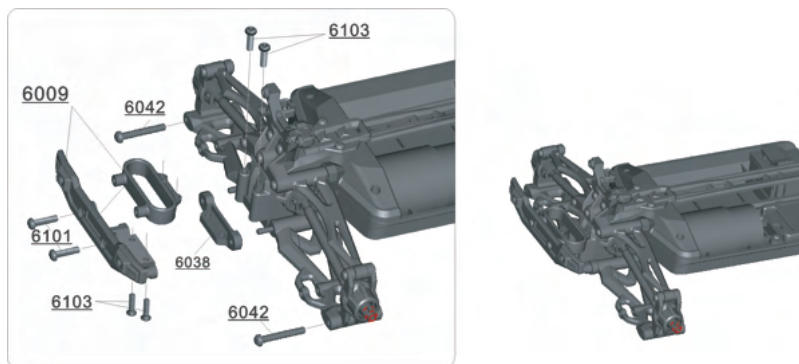
Front suspension



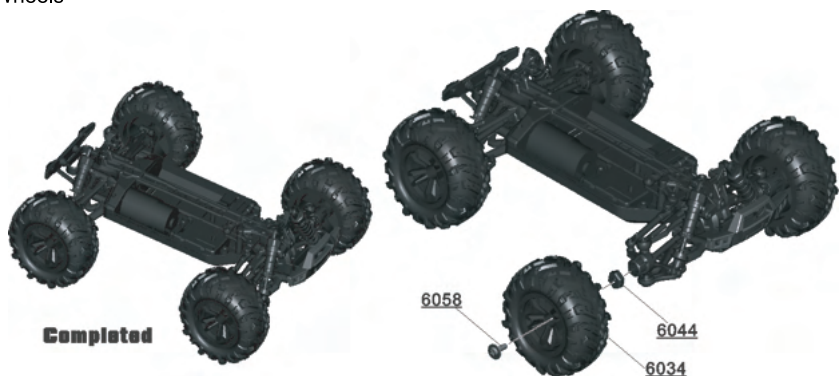
Rear suspension



Bumpers



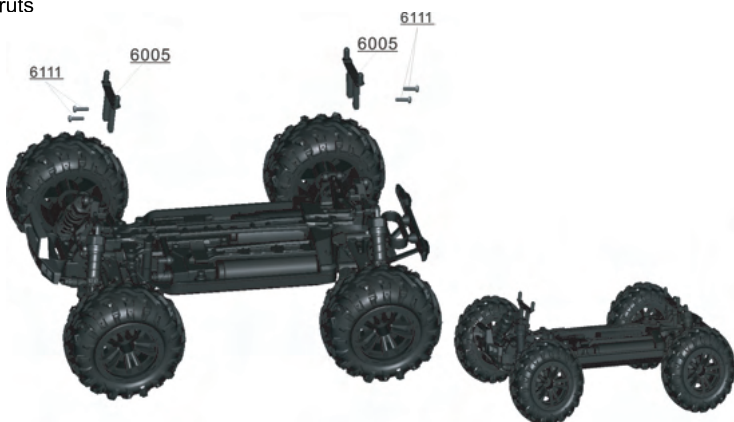
Wheels



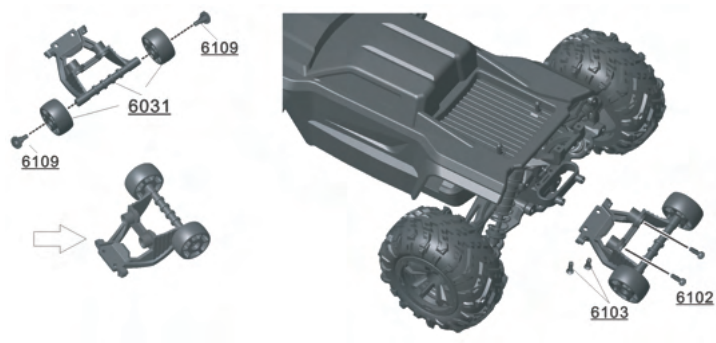
Battery



Shell struts



Auxiliary wheel





CONTACT INFORMATION

E-Mail: support@contixo.com

Website: www.contixo.com

©2023 Contixo Inc. All rights reserved. Contixo®, the Contixo logo and associated characters, trademarks and design elements are owned and licensed by Contixo Inc.