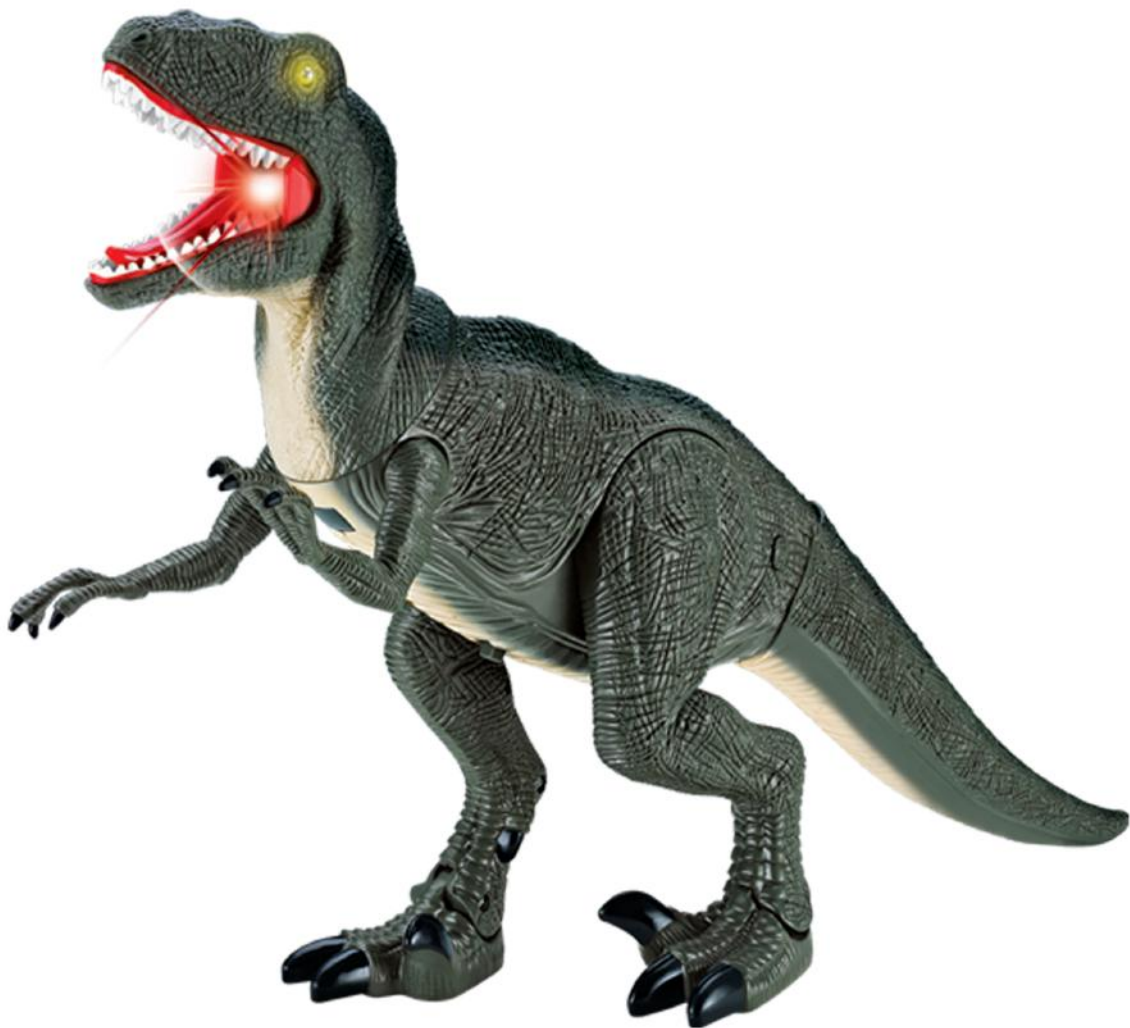


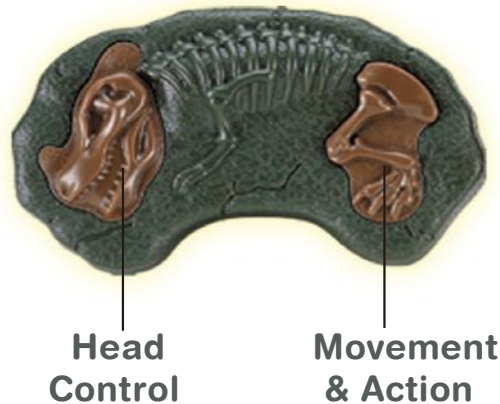
# RC Roaring Raptor DR1 User Manual



\*product colors may vary

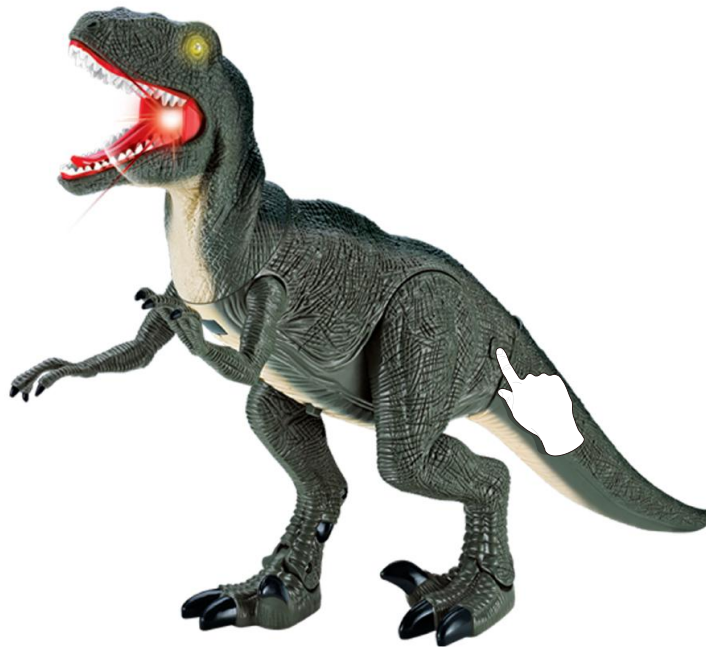
**PLEASE READ THIS MANUAL BEFORE USING.**  
PLEASE RETAIN THIS INFORMATION FOR FUTURE REFERENCE

# DR1 Remote Control



## Demo button

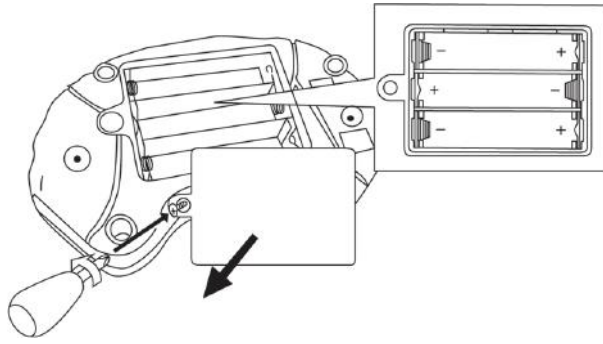
Click the button on the Velociraptor, the Velociraptor will automatically demonstrate the function.



## DR1 RC Roaring Raptor Setup

### Remote Battery Installation

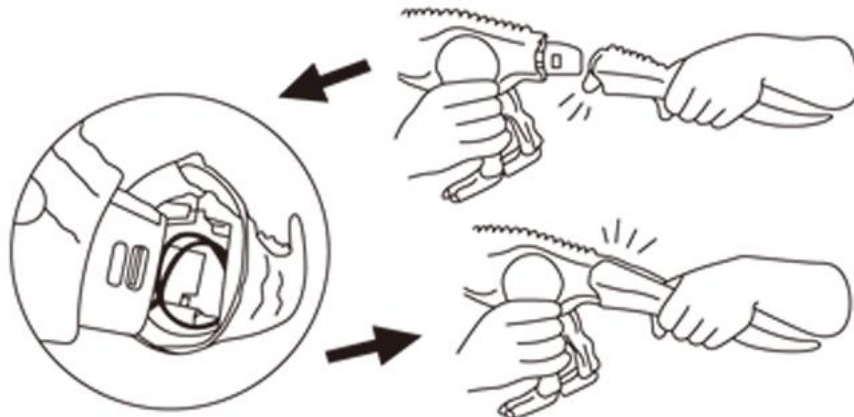
1. Use a screwdriver to remove the battery cover.
2. Place three AA's with the corresponding polarities as labeled on the unit.
3. Replace the battery cover and screw back into place.



The dinosaur has been installed batteries, please remove the insulating tape from the batteries before use.

### Tail installation

Push the tail on until it "clicks".



# Battery Warnings

1. Insert batteries with correct polarity.
2. Do not mix old and new batteries.
3. Do not mix alkaline, standard (carbon-zinc), or rechargeable (nickel-cadmium) batteries.
4. Rechargeable batteries are to be removed from the drone before being charged.
5. Rechargeable batteries are only to be charged under adult supervision.
6. Exhausted batteries are to be removed from the drone.
7. The supply terminals are not to be short-circuited.
8. In order to avoid battery leakage causing damage to the remote controler, please take out the battery if not in use for a long time.



## CONTACT INFORMATION

E-Mail: [support@contixo.com](mailto:support@contixo.com)

Website: [www.contixo.com](http://www.contixo.com)

©2021 Contixo Inc. All rights reserved. Contixo®, the Contixo logo and associated characters, trademarks and design elements are owned and licensed by Contixo Company.