

CORD LOOP Zebra Blinds

Manual Installation Guide

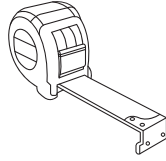
◆ TOOLS REQUIRED



Screw driver



Drill



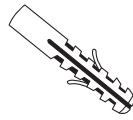
Tape measure



Pencil

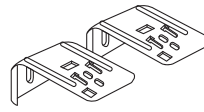


Wall Plug

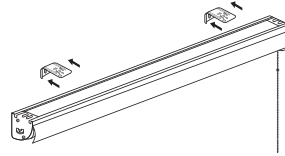


Screws

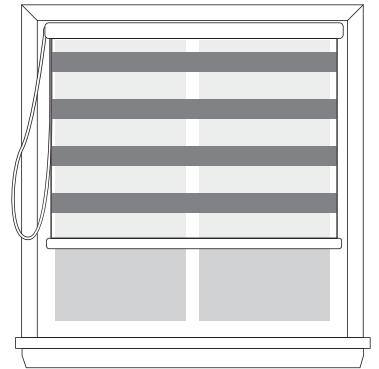
◆ HARDWARE & PARTS INCLUDED



Brackets

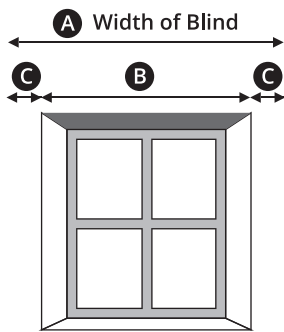


Zebra Blinds



Zebra Blinds

◆ STEP 1



Outside Recess

If fitting the blind outside the window, measurements (C) will need to be the same. To work out (C), simply minus (B) from (A) and divide the answer by two. Follow instructions for FACE FIXING.

Inside Recess

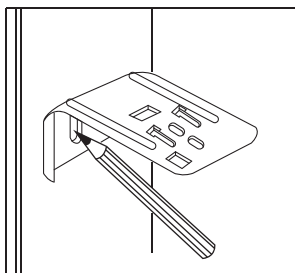
Decide whether to FACE or TOP FIX. FACE FIX to fit the bracket to the window frame. TOP FIX to the limited if the window frame is uPVC, or if there are any obstructions. e.g. window handles.

* NOTE : Head rails should not be installed less than 1.5m from the floor.

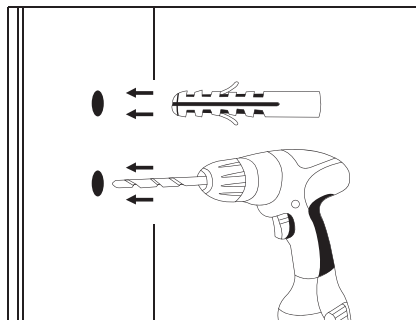
■ Top Fix ■ Face fix

◆ STEP 2

Setup the location and install the brackets at the right spot of the wall or ceiling where you have decide to install your blinds.

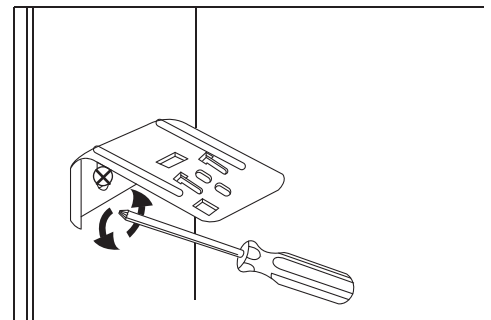


Do marking properly, drill and fit in the wall plug.

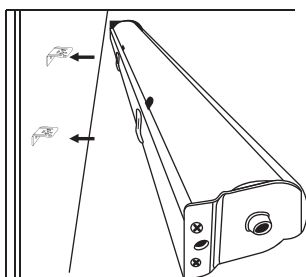


◆ STEP 3

Screw the bracket to the wall or ceiling and make sure the bracket is installed properly.

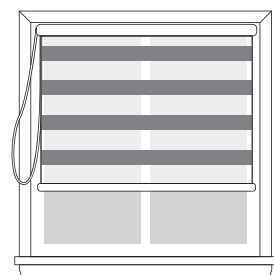


◆ STEP 4



Hook the front of the headrail into the bracket. Press the back up into position unit it clicks.

◆ STEP 5

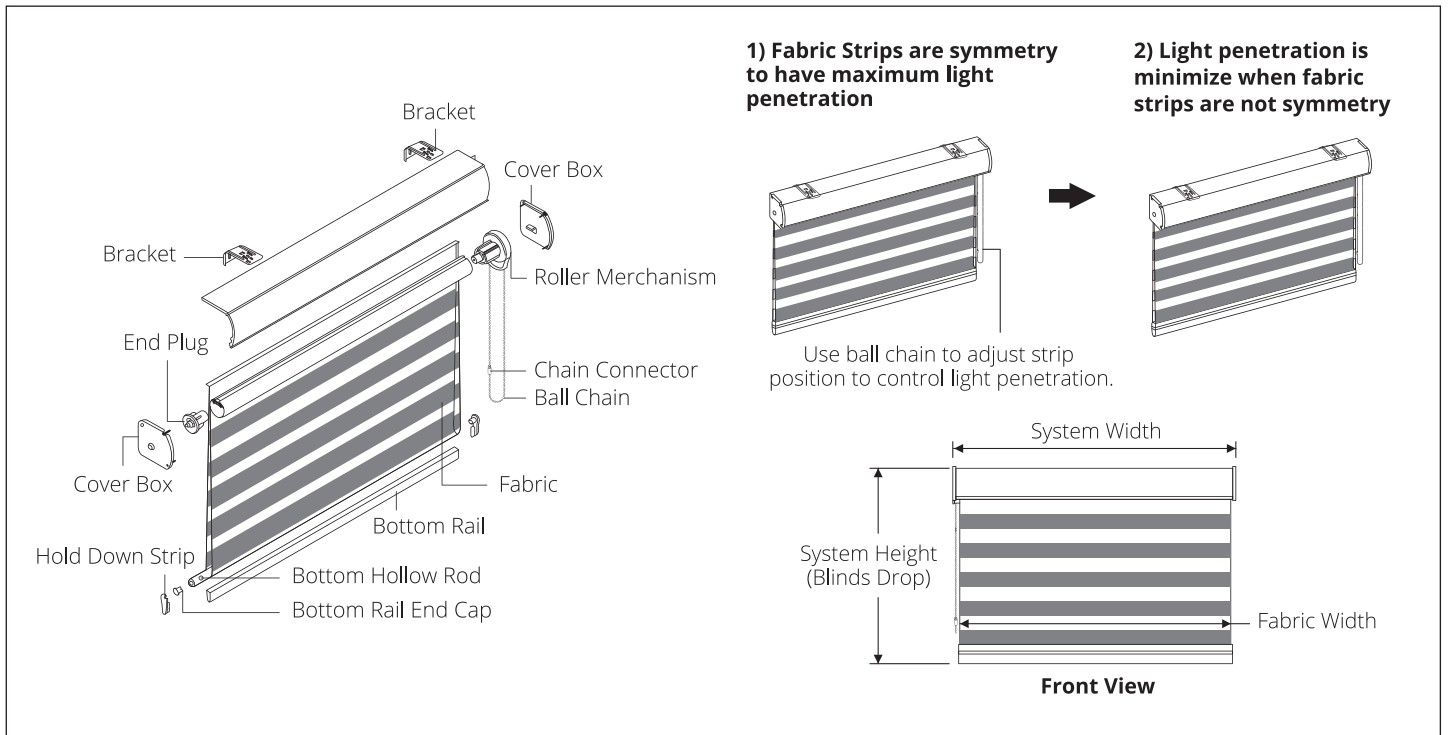


Put pelmet into headrail = **COMPLETE**

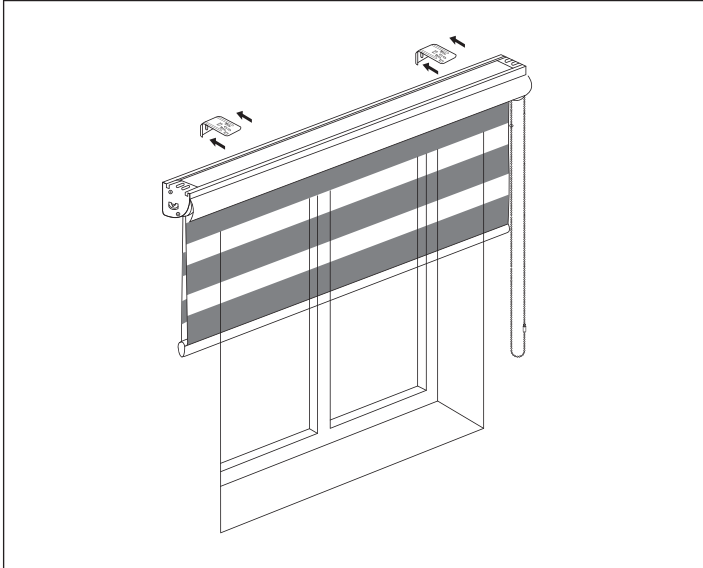
CORD LOOP Zebra Blinds

Manual Installation Guide

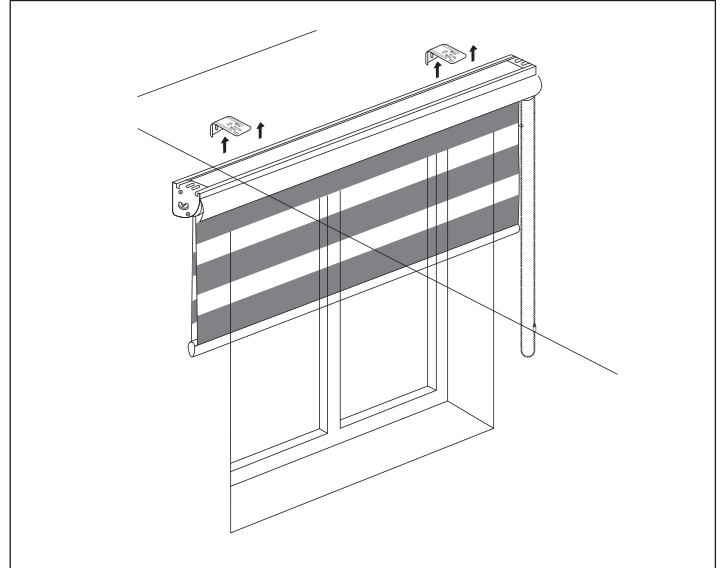
◆ ZEBRA BLINDS - EXPLODED DIAGRAM



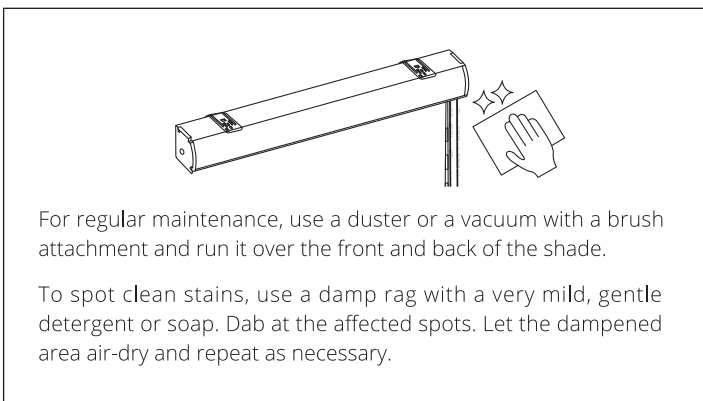
◆ MOUNTING ZEBRA BLIND TO THE WALL



◆ MOUNTING ZEBRA BLIND TO THE CEILING



◆ CLEANING INSTRUCTIONS



◆ CHILD SAFETY WARNING

