

CORD LOOP Roman Blinds

Manual Installation Guide

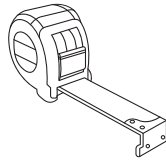
◆ TOOLS REQUIRED



Screw driver



Drill



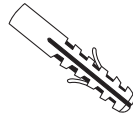
Tape measure



Pencil

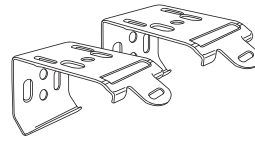


Wall Plug

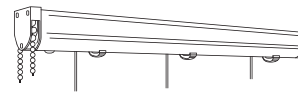


Screws

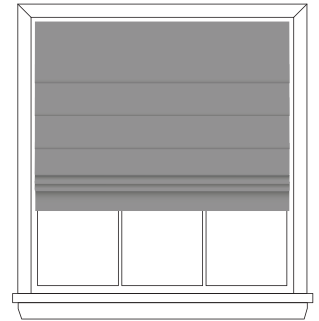
◆ HARDWARE & PARTS INCLUDED



Brackets

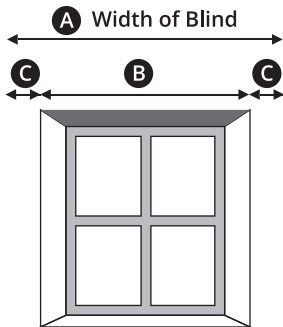


Roman Blinds



Roman Blinds

◆ MEASUREMENTS WINDOW



Outside Recess

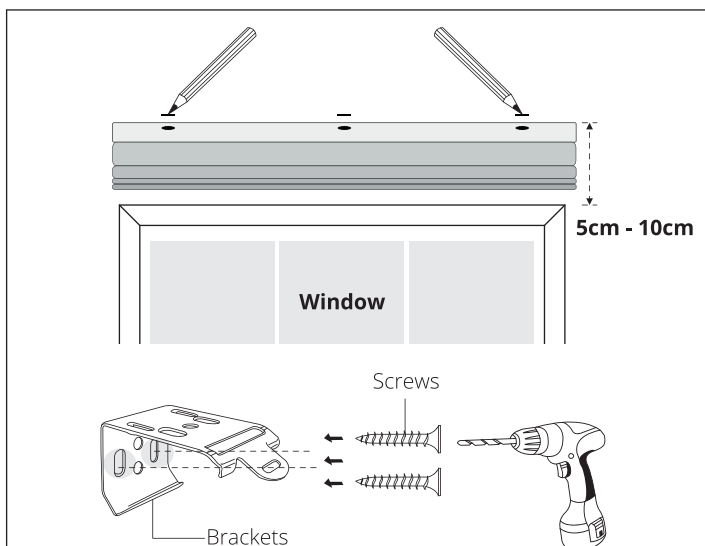
If fitting the blind outside the window, measurements (C) will need to be the same. To work out (C), simply minus (B) from (A) and divide the answer by two. Follow instructions for FACE FIXING.

Inside Recess

Decide whether to FACE or TOP FIX. FACE FIX to fit the bracket to the window frame. TOP FIX to the limited if the window frame is uPVC, or if there are any obstructions. e.g. window handles.

* NOTE : Head rails should not be installed less than 150cm from the floor.

◆ MOUNTING THE BRACKETS - OUTSIDE MOUNT

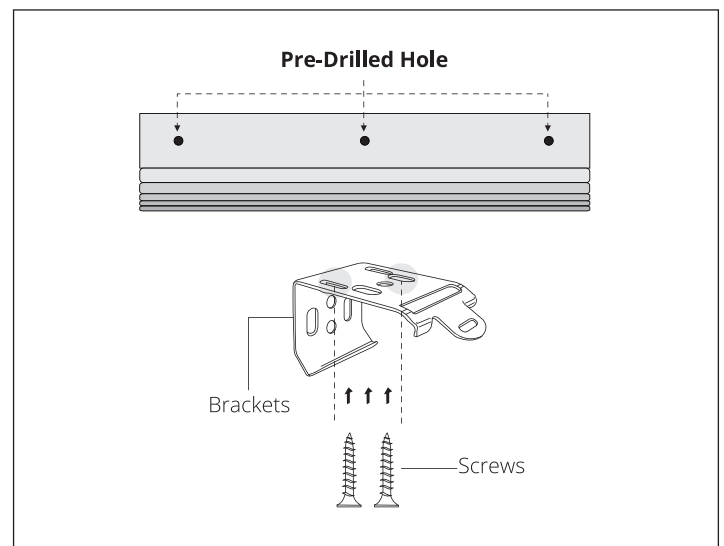


Center and hold the headrail at least two inches above the window. While keeping the shade level, make a small line with your pencil just above each of the pre-drilled holes in the headrail. Set the shade aside.

Align the top edge of a bracket along each mark, and use the holes in the back of the bracket to mark where your two screws will go.

Pre-drill the screw holes for each bracket with a 0.2cm drill bit.
* Align the brackets with the holes, and use a drill bit to fasten the screws in place.

◆ MOUNTING THE BRACKETS - INSIDE MOUNT



Corded and cordless shades have pre-drilled holes in the top of the headrail. You will use these holes as a guide for your bracket placement.

Grasp the shade by the headrail and hold it up inside the top of the window. Set it back until the front of the shade is flush with the wall. Hold the shade in place, and with a pencil, make a mark through each hole in the headrail. Set the shade aside.

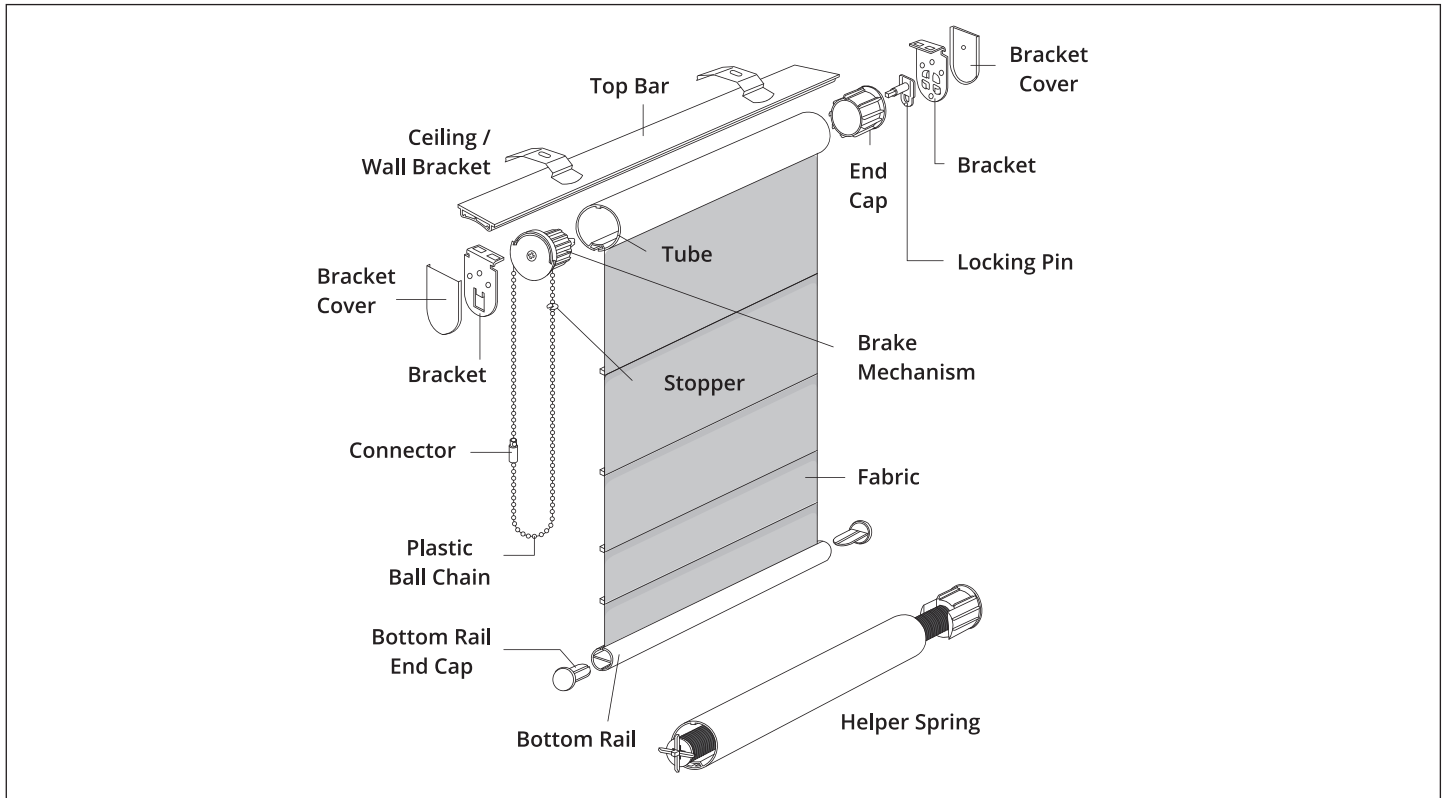
Take a bracket and center the drop-bolt over each mark. Use the holes in the top of the bracket to mark where your two screws will go.

CORD LOOP Roman Blinds

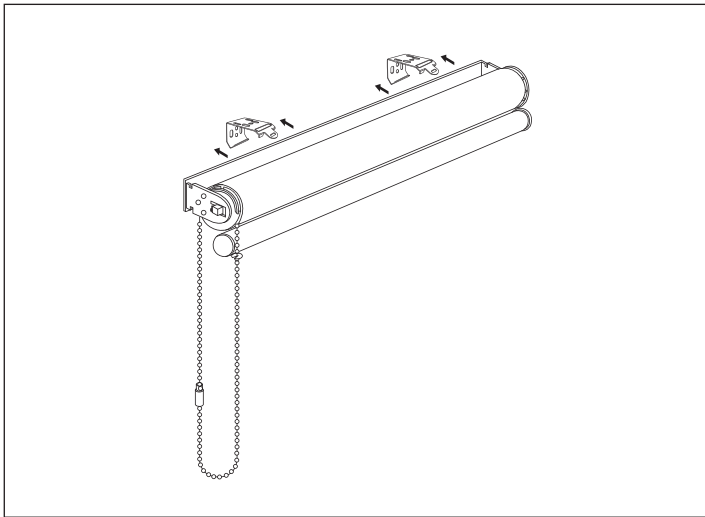
Manual Installation Guide

BlindsHub[®]

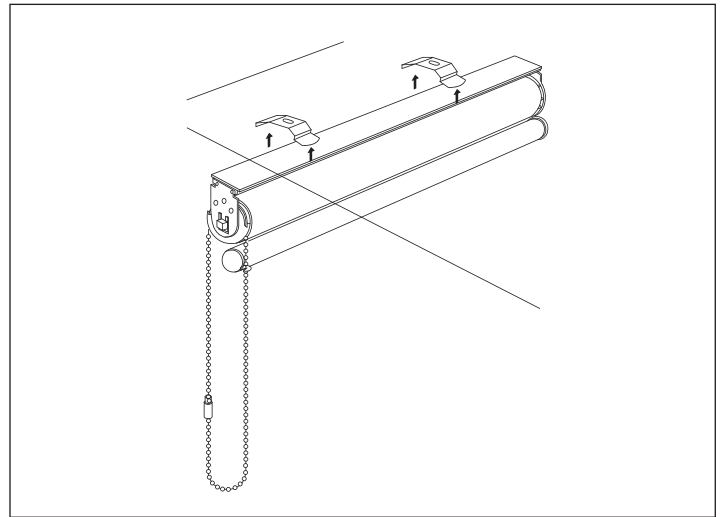
◆ ROMAN BLINDS - EXPLODED DIAGRAM



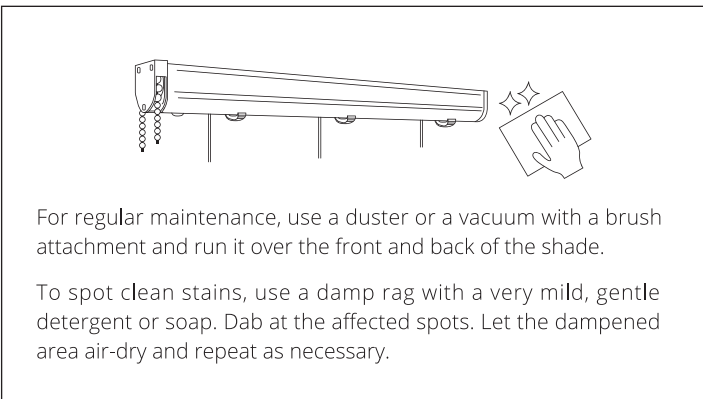
◆ MOUNTING ROMAN BLIND TO THE WALL



◆ MOUNTING ROMAN BLIND TO THE CEILING



◆ CLEANING INSTRUCTIONS



◆ CHILD SAFETY WARNING

